



US00D825260S

(12) **United States Design Patent**
Wei

(10) **Patent No.:** **US D825,260 S**

(45) **Date of Patent:** **** Aug. 14, 2018**

(54) **ROLLING KNIFE**

(71) Applicant: **APEX BRANDS, INC.**, Apex, NC
(US)

(72) Inventor: **Zixuan Wei**, Shanghai (CN)

(73) Assignee: **APEX BRANDS, INC.**, Apex, NC
(US)

(**) Term: **15 Years**

(21) Appl. No.: **29/601,704**

(22) Filed: **Apr. 25, 2017**

(51) **LOC (11) Cl.** **07-03**

(52) **U.S. Cl.**
USPC **D7/401.2**

(58) **Field of Classification Search**
USPC D7/393-395, 401.2, 642-652, 693,
D7/695-696; D8/93, 97-100, 107, 300,
D8/321; D22/117-118
CPC A01B 1/20; A01B 1/22; A22C 25/006;
A47G 21/06; A47G 21/065; A61B
17/3211; A61B 17/3213; B21D 53/64;
B25G 3/36; B26B 1/00; B26B 1/08;
B26B 1/10; B26B 3/00; B26B 3/02;
B26B 3/03; B26B 3/04; B26B 3/06;
B26B 5/00; B26B 5/001; B26B 5/003;
B26B 5/007; B26B 7/00; B26B 7/005;
B26B 9/00; B26B 9/02; B26B 11/00;
B26B 11/006; B26B 17/00; B26B 17/006;
B26B 29/02

See application file for complete search history.

(56) **References Cited**

U.S. PATENT DOCUMENTS

4,868,985 A * 9/1989 Rehm B26B 5/003
30/162
D330,405 S * 10/1992 Luchak D22/118

D374,597 S * 10/1996 Birkholz D8/99
D375,243 S * 11/1996 Hasegawa D22/118
5,797,188 A * 8/1998 Gilbert B26B 5/00
30/330
7,051,443 B2 5/2006 Mueller
7,526,865 B2 5/2009 Mueller
D614,473 S * 4/2010 Freeman D8/107
D623,040 S * 9/2010 Freeman D8/107
D694,064 S * 11/2013 Costa D7/401.2
D716,411 S * 10/2014 Ameis D22/118
2004/0216309 A1 * 11/2004 Mueller B26B 5/00
30/286
2004/0250425 A1 * 12/2004 Arent B26B 5/00
30/142

* cited by examiner

Primary Examiner — Ricky Pham

(74) *Attorney, Agent, or Firm* — McNair Law Firm, P.A.

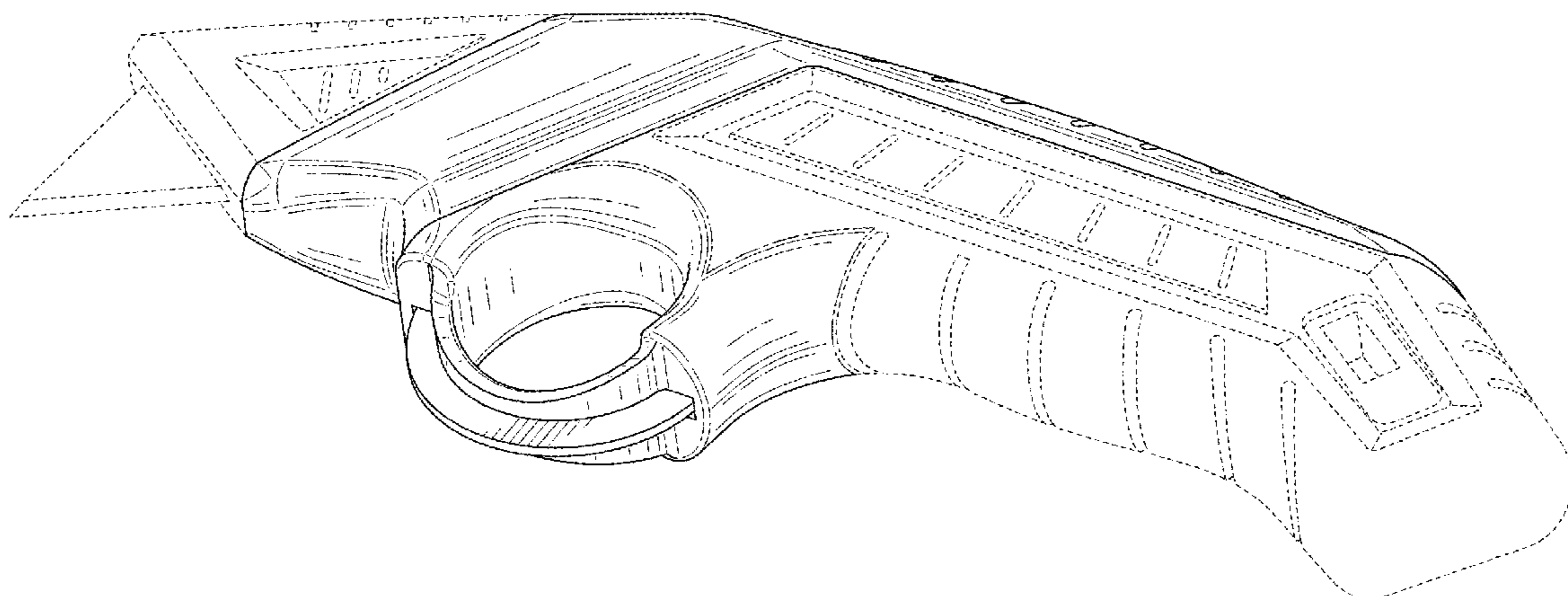
(57) **CLAIM**

The ornamental design for a rolling knife, as shown and described.

DESCRIPTION

FIG. 1 is a left side perspective view of a rolling knife in accordance with an embodiment of the present invention; FIG. 2 is a front view of the rolling knife of FIG. 1; FIG. 3 is a rear view of the rolling knife of FIG. 1; FIG. 4 is a right side view of the rolling knife of FIG. 1; FIG. 5 is a left side view of the rolling knife of FIG. 1; FIG. 6 is a top view of the rolling knife of FIG. 1; and, FIG. 7 is a bottom view of the rolling knife of FIG. 1. The broken lines of FIGS. 1-7 are illustrative of the visible environmental structure of the rolling knife and form no part of the claimed design.

1 Claim, 5 Drawing Sheets



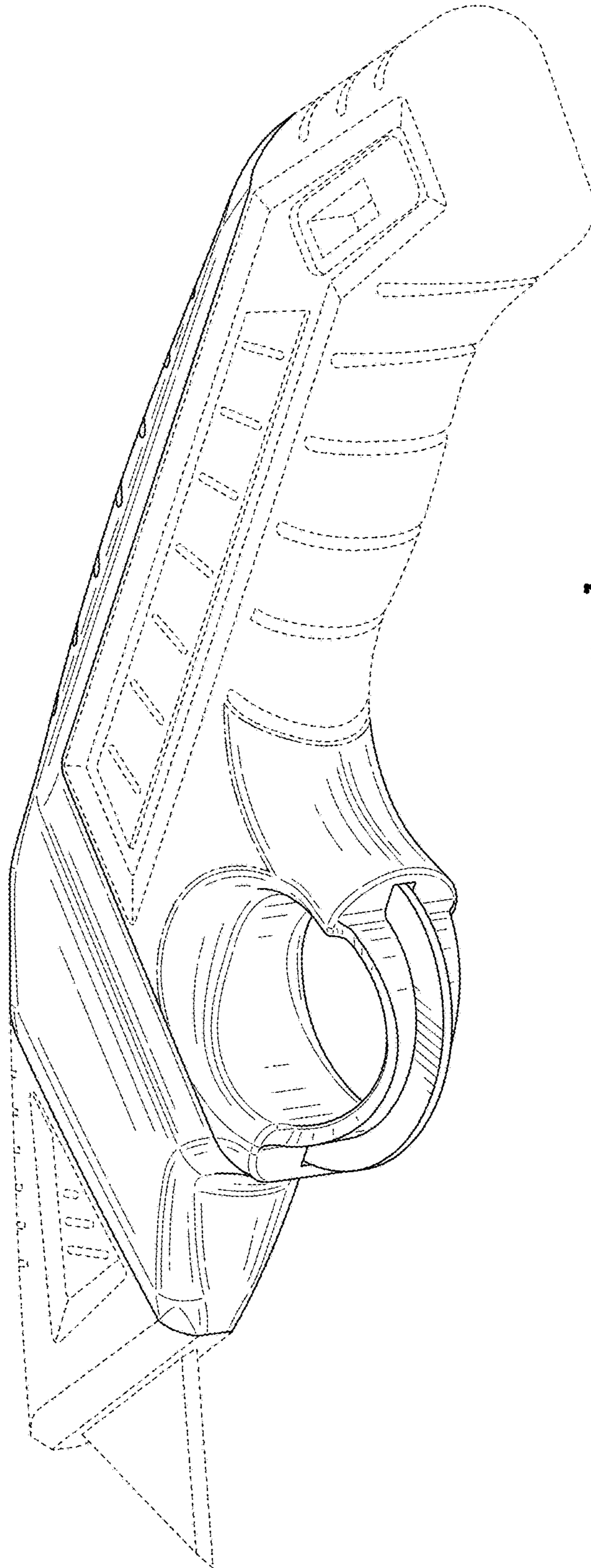


FIG. 1

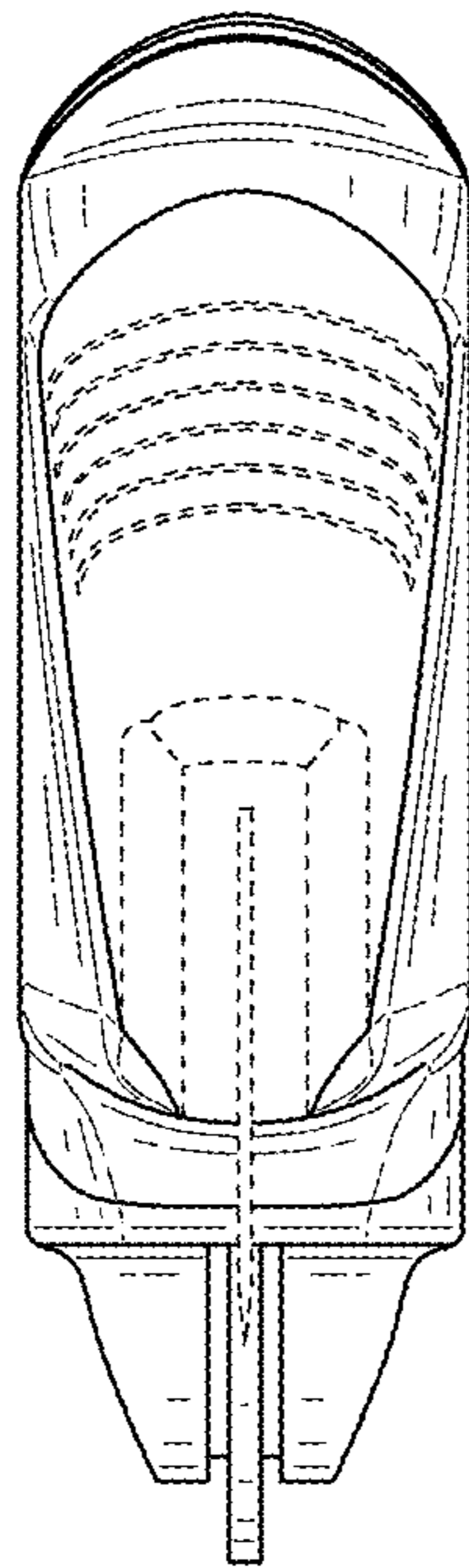


FIG. 2

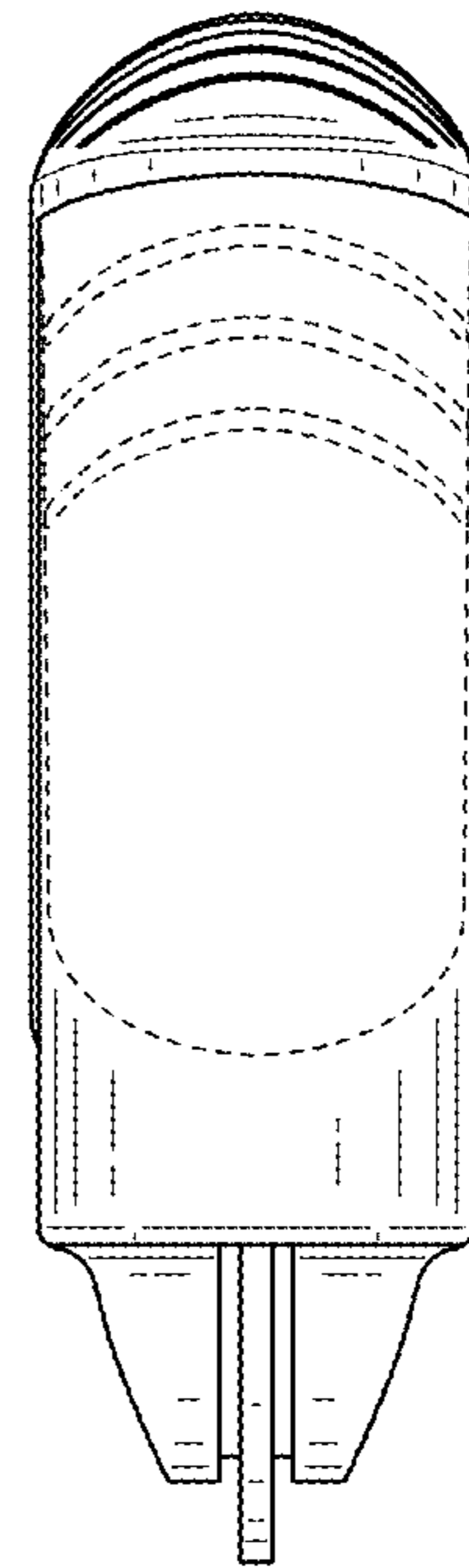


FIG. 3

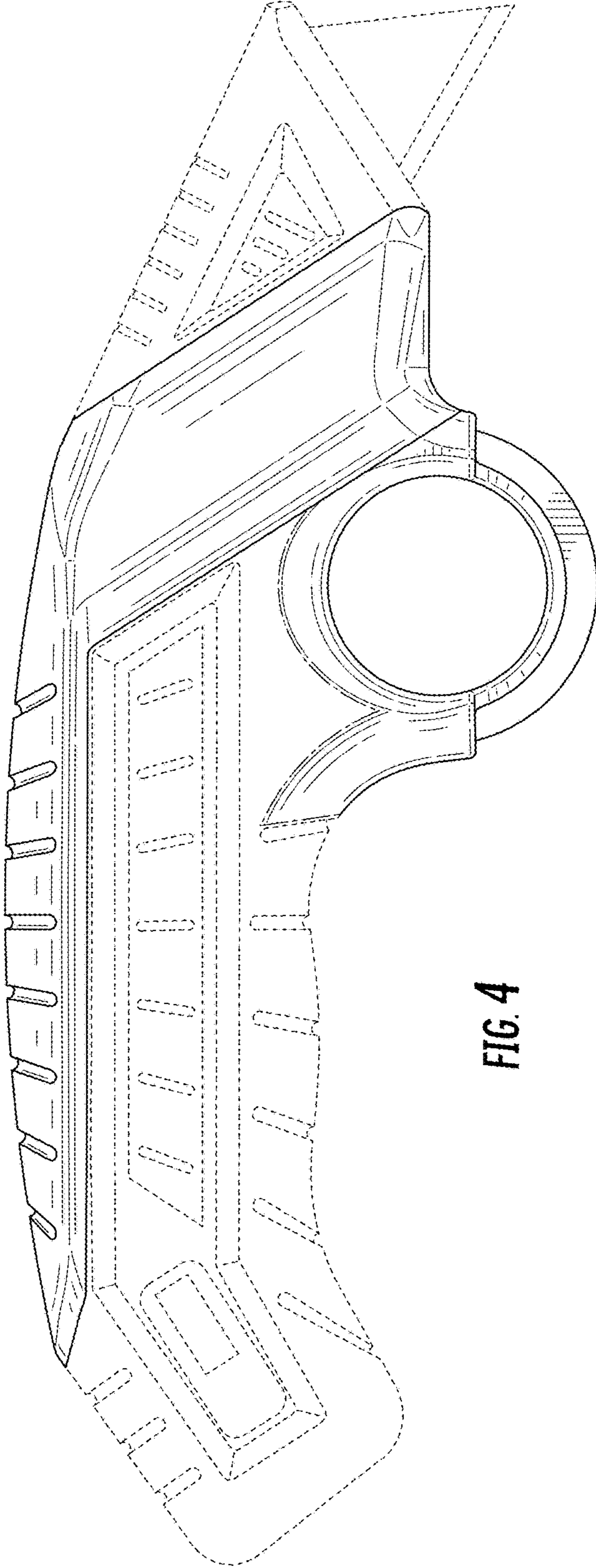


FIG. 4

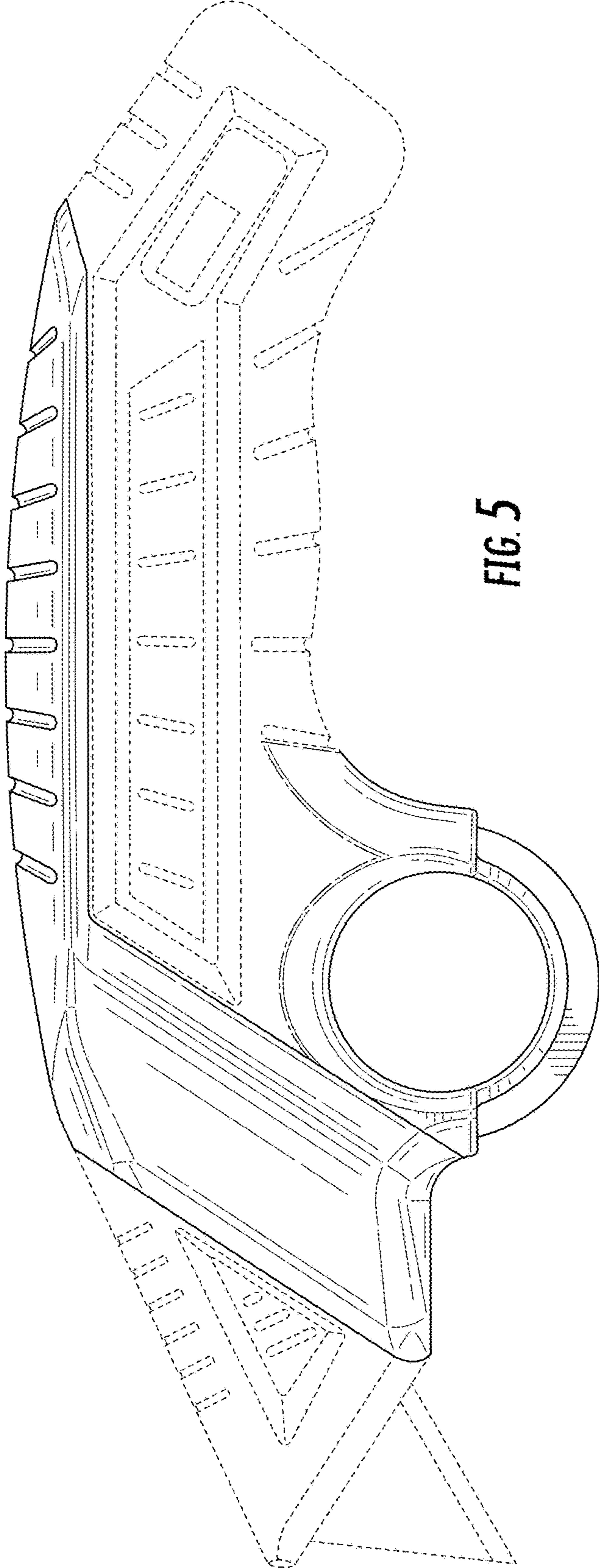


FIG. 5

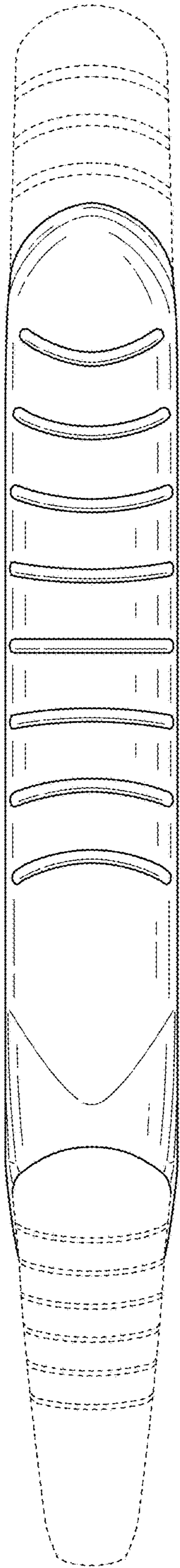


FIG. 6

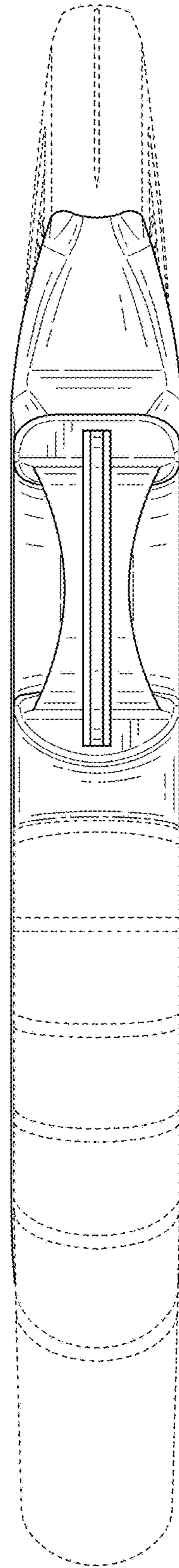


FIG. 7