



US00D825259S

(12) **United States Design Patent**
Durra

(10) **Patent No.:** **US D825,259 S**

(45) **Date of Patent:** **** Aug. 14, 2018**

(54) **ESPRESSO DOSING DEVICE**

(71) Applicant: **Frank Durra**, Stolberg (DE)

(72) Inventor: **Frank Durra**, Stolberg (DE)

(**) Term: **15 Years**

(21) Appl. No.: **29/610,877**

(22) Filed: **Jul. 17, 2017**

Related U.S. Application Data

(62) Division of application No. 29/558,398, filed on Mar. 17, 2016, now Pat. No. Des. 807,695.

(30) **Foreign Application Priority Data**

Sep. 17, 2015 (EM) 2 774 570

(51) **LOC (11) Cl.** **07-99**

(52) **U.S. Cl.**
USPC **D7/399**

(58) **Field of Classification Search**
USPC D7/399, 305, 306, 309, 312, 313, 314,
D7/320, 322, 372, 373, 387
CPC A47J 31/0657; A47J 31/52; A47J 31/4464
See application file for complete search history.

(56) **References Cited**

U.S. PATENT DOCUMENTS

4,505,191 A * 3/1985 Longo A47J 31/0657
99/300
4,534,858 A * 8/1985 Aldrich B07B 1/02
209/236

5,463,933 A * 11/1995 Landais A47J 31/0657
99/285
D393,568 S * 4/1998 Storsberg D7/397
D502,053 S * 2/2005 Bodum D7/399

* cited by examiner

Primary Examiner — Derrick Holland

Assistant Examiner — Andrew Kerr

(74) *Attorney, Agent, or Firm* — Hodgson Russ LLP

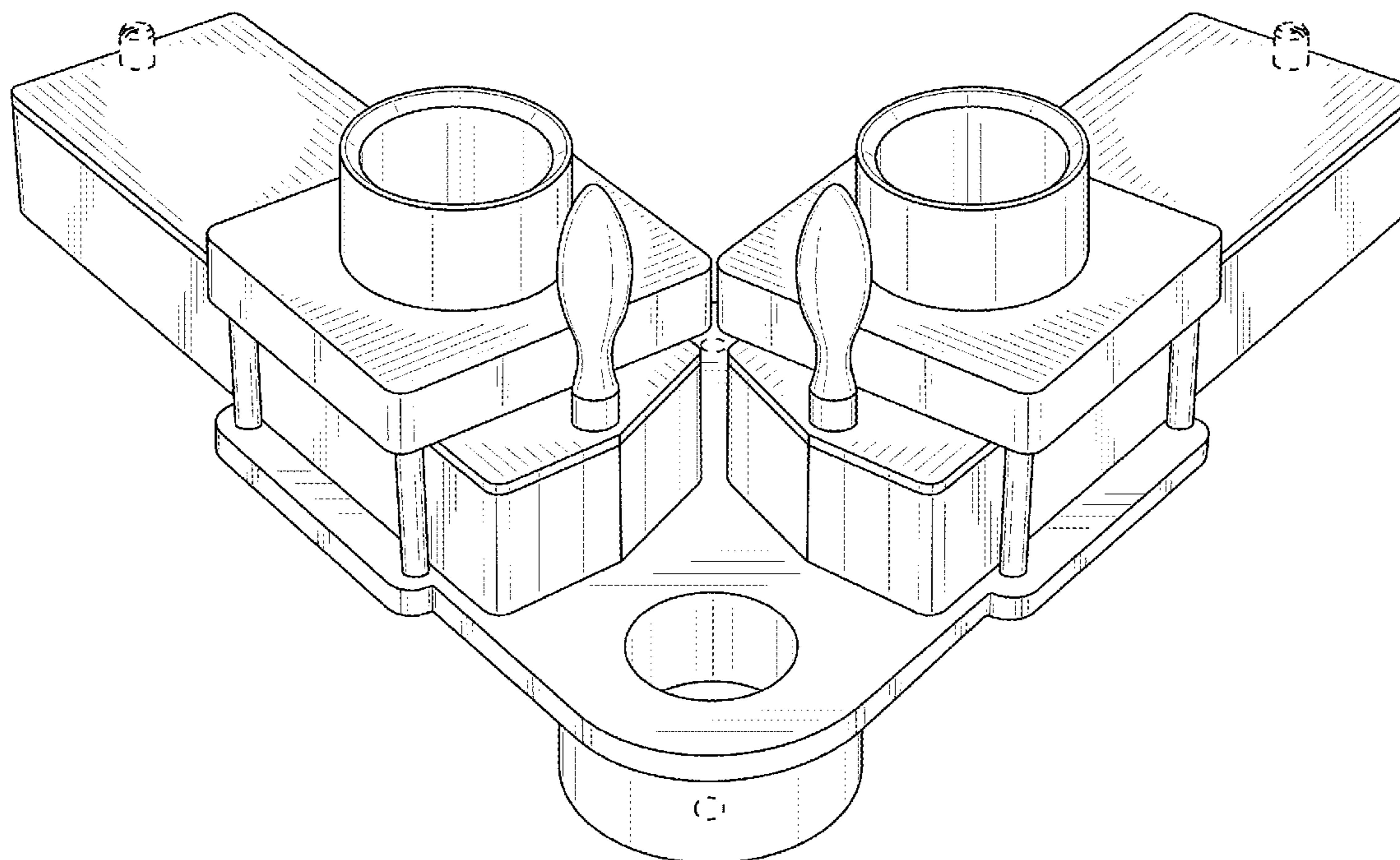
(57) **CLAIM**

The ornamental design for an espresso dosing device, as shown and described.

DESCRIPTION

FIG. 1 is a perspective view of an espresso dosing device showing my new design;
FIG. 2 is a front elevational view thereof;
FIG. 3 is a rear elevational view thereof;
FIG. 4 is a right side elevational view thereof;
FIG. 5 is a left side elevational view thereof;
FIG. 6 is a top view thereof;
FIG. 7 is a bottom view thereof; and,
FIG. 8 is a perspective view thereof showing one of the dosing portions in a retracted state.
The broken lines shown in the figures illustrate the portions of the design that form no part of the claimed design.

1 Claim, 8 Drawing Sheets



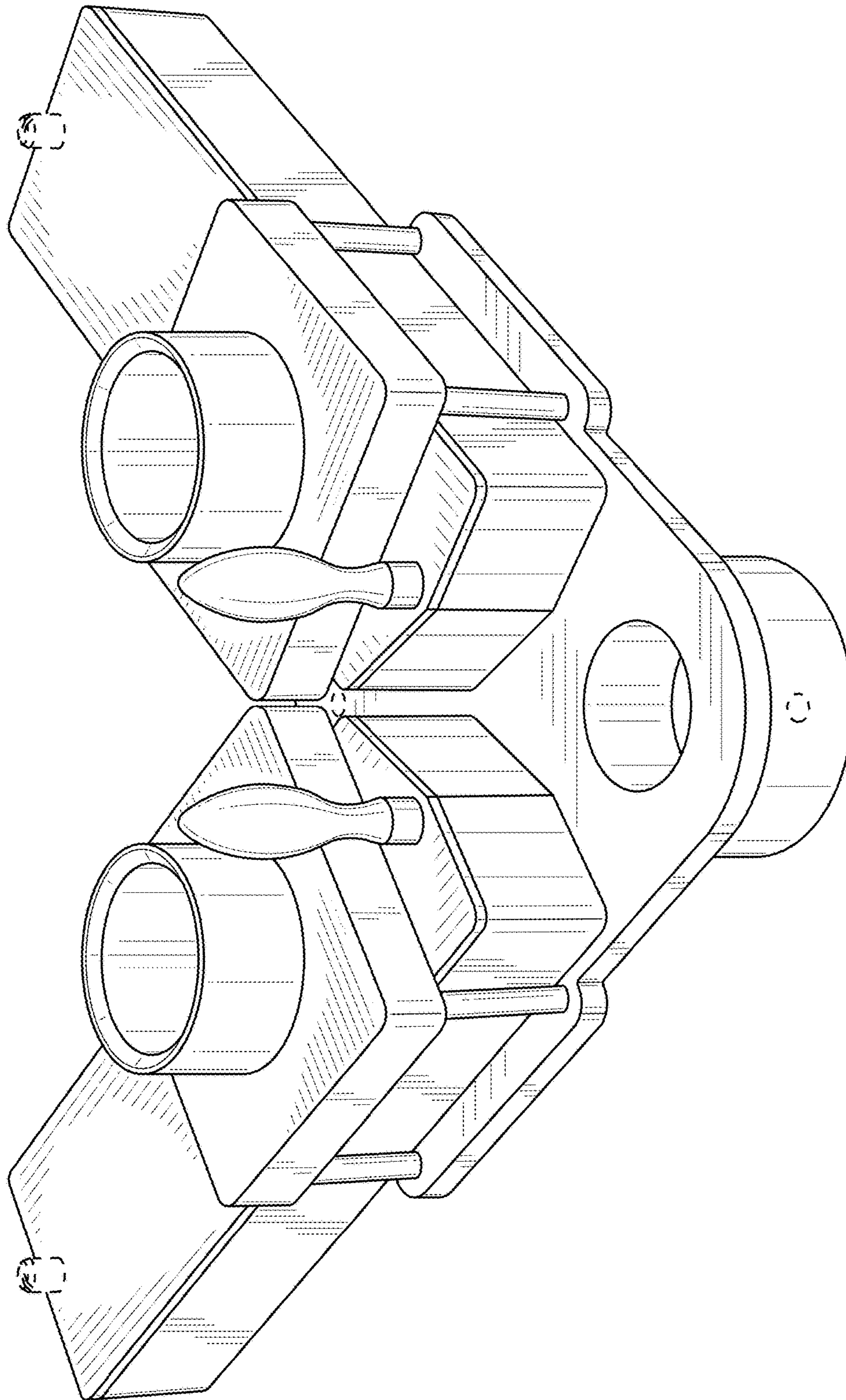


FIG. 1

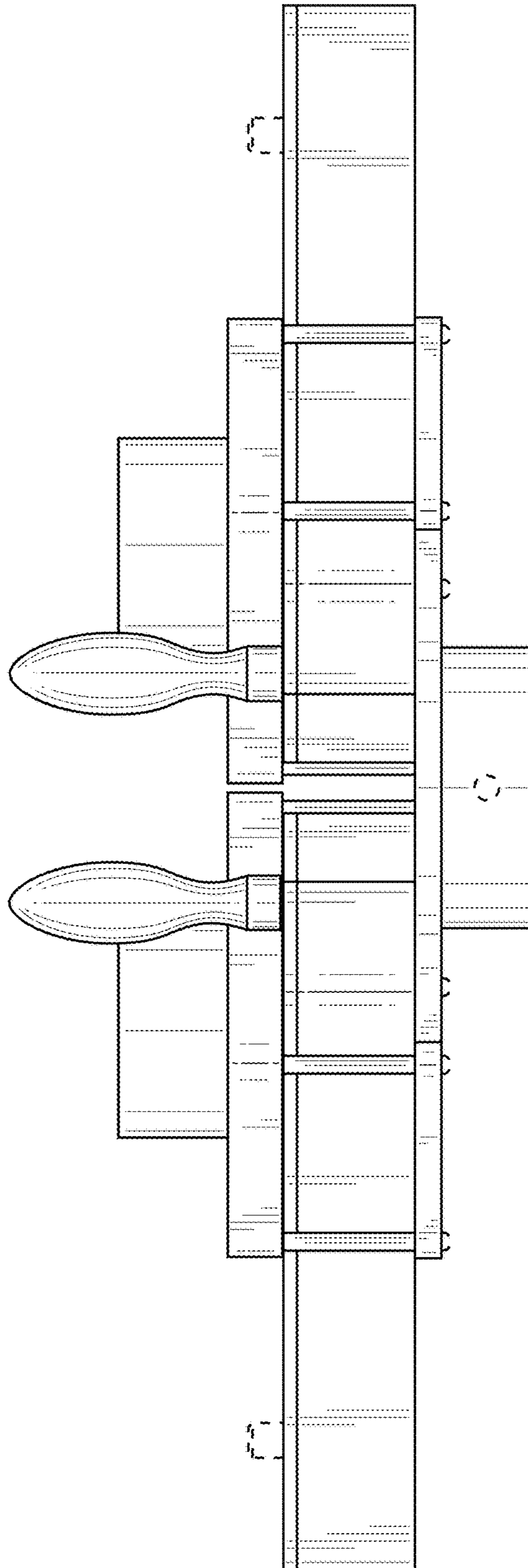


FIG. 2

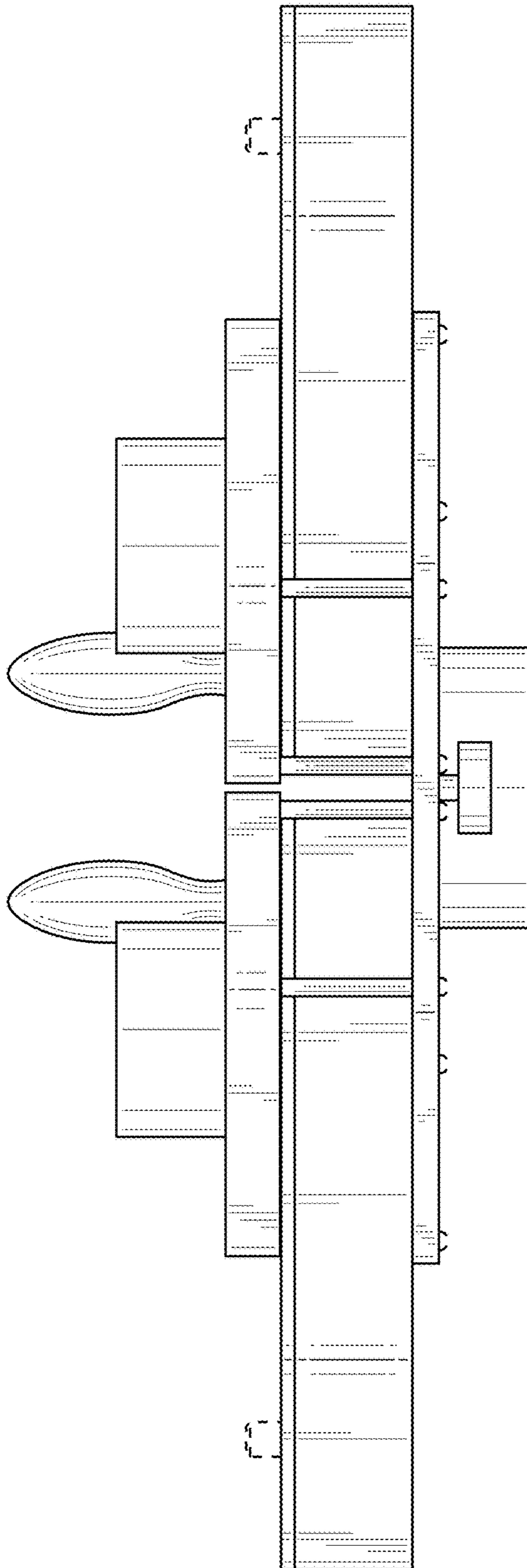


FIG. 3

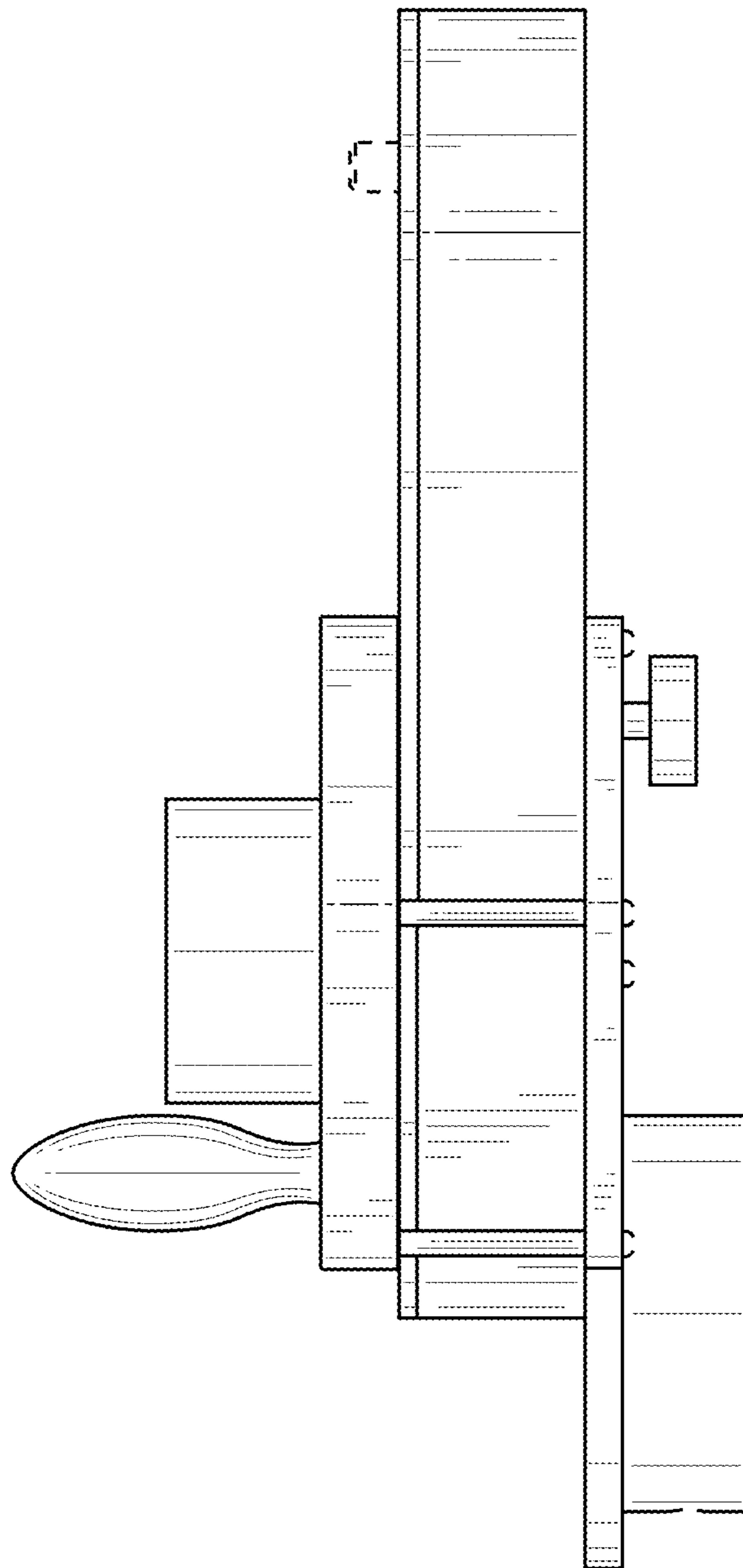


FIG. 4

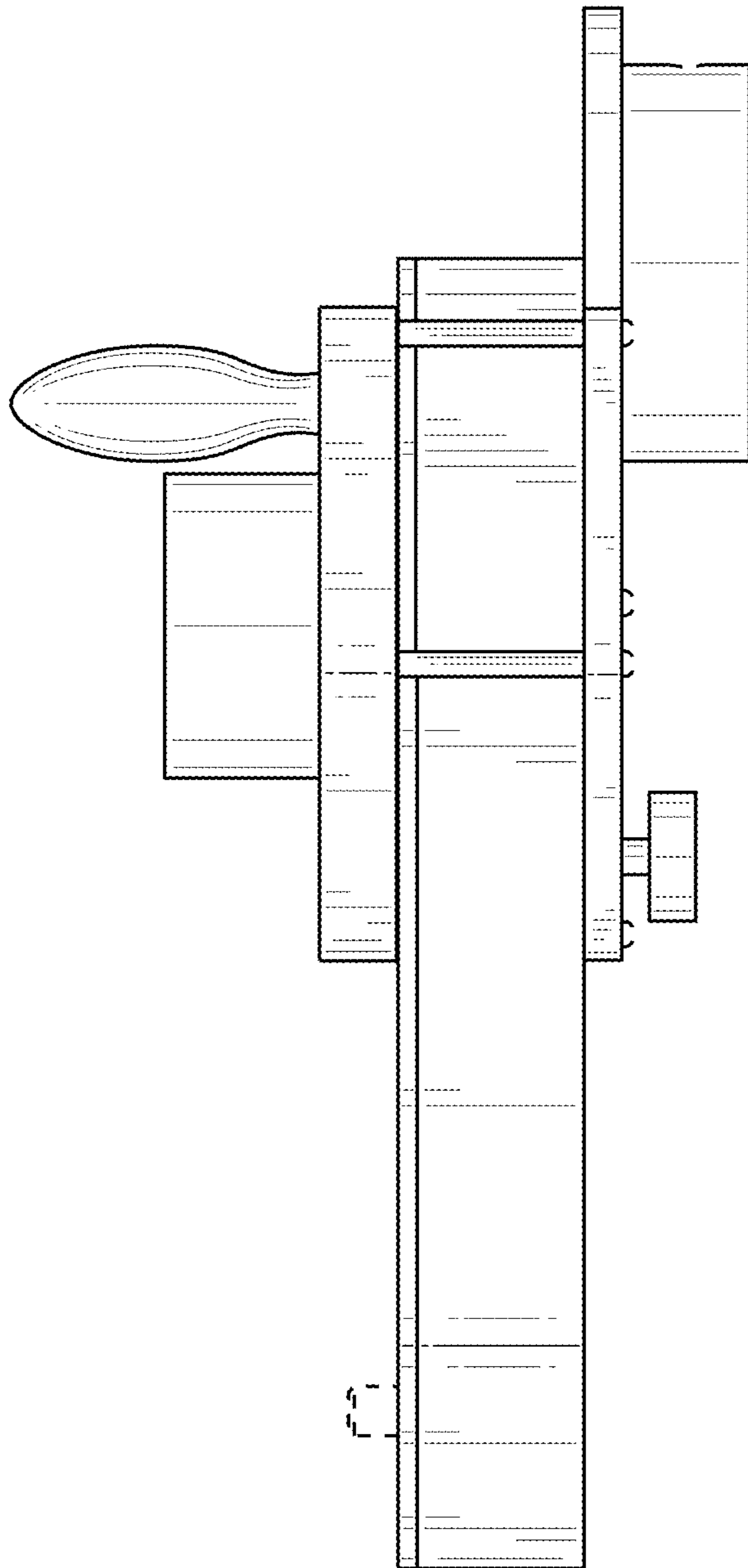


FIG. 5

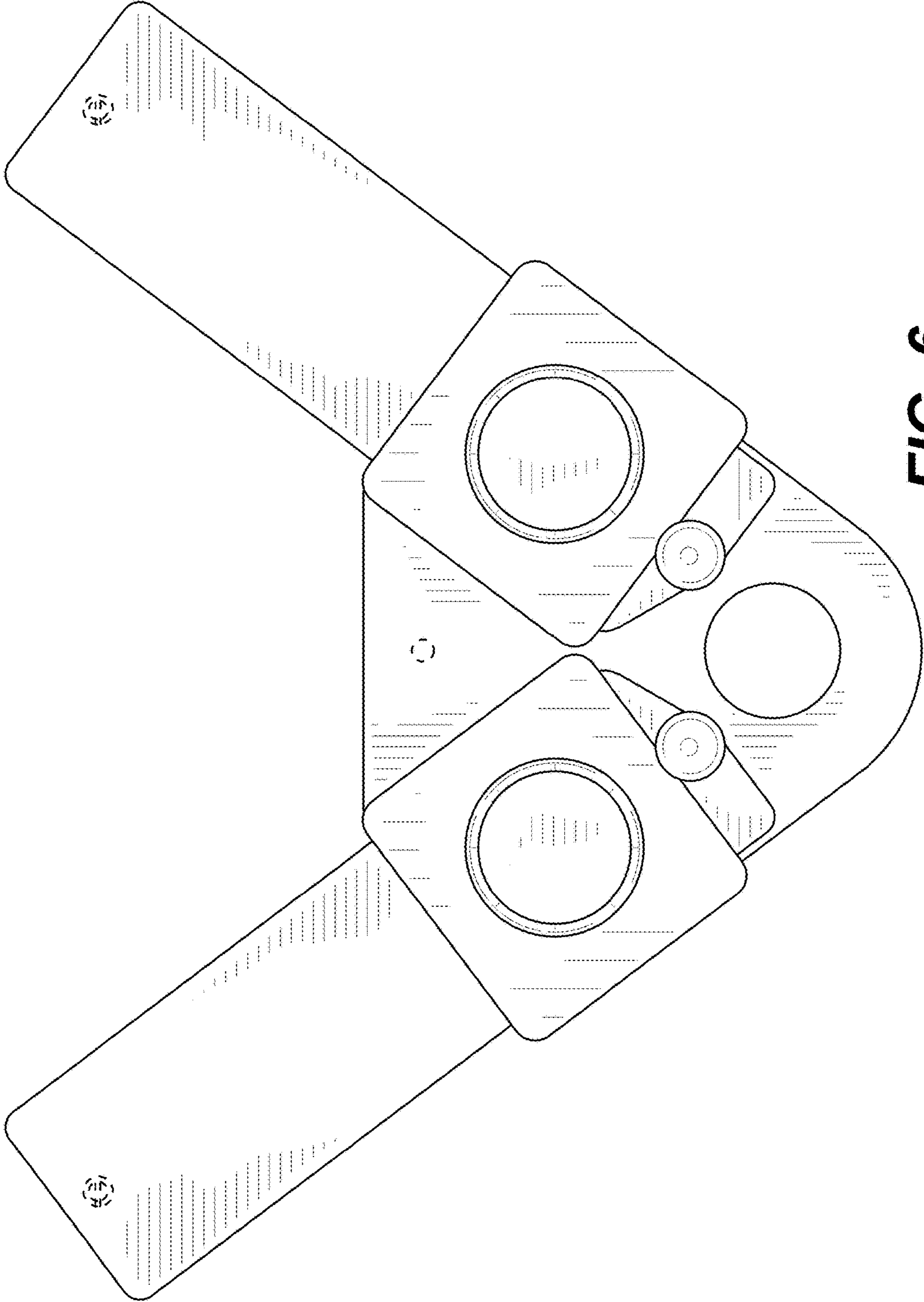


FIG. 6

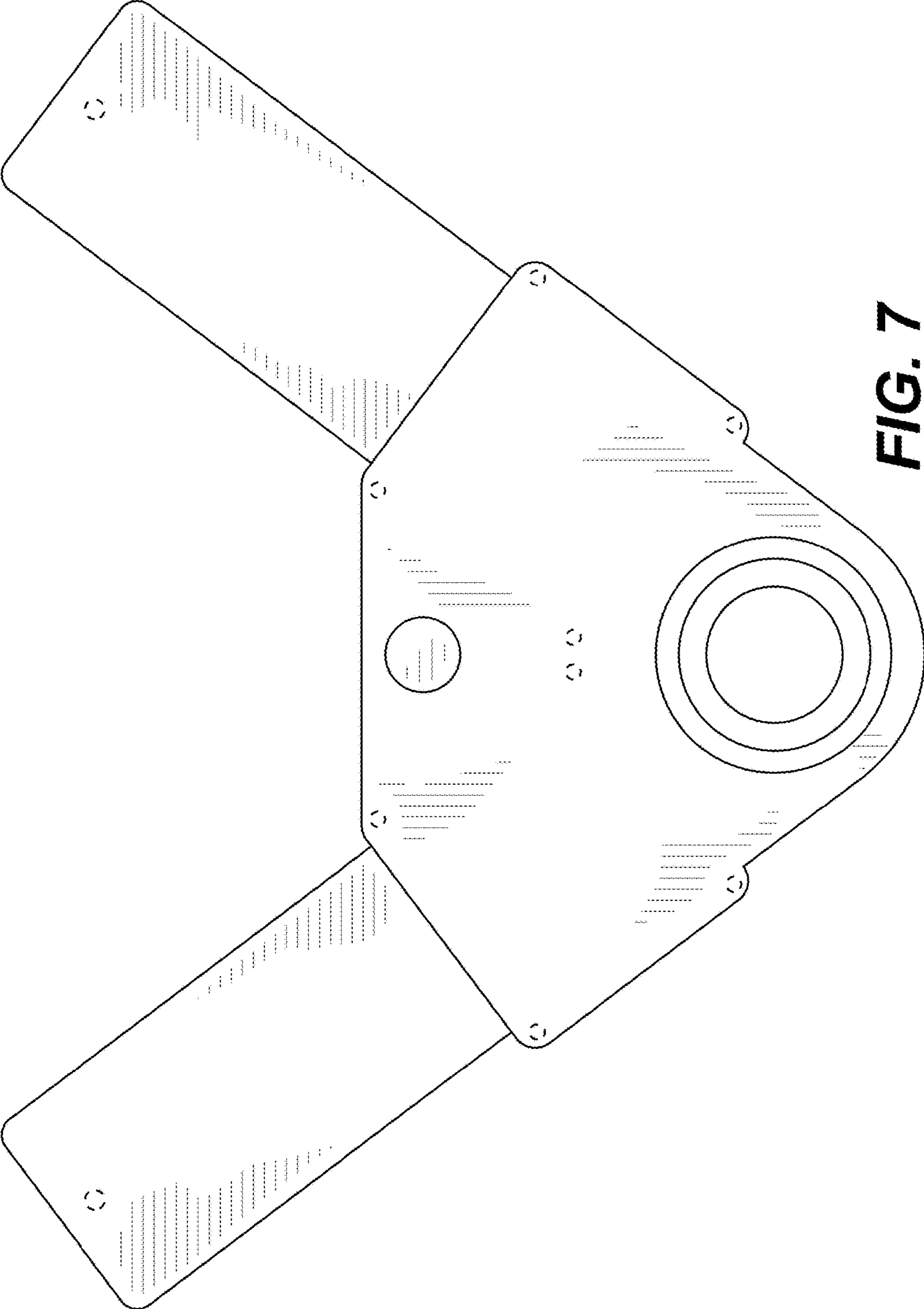


FIG. 7

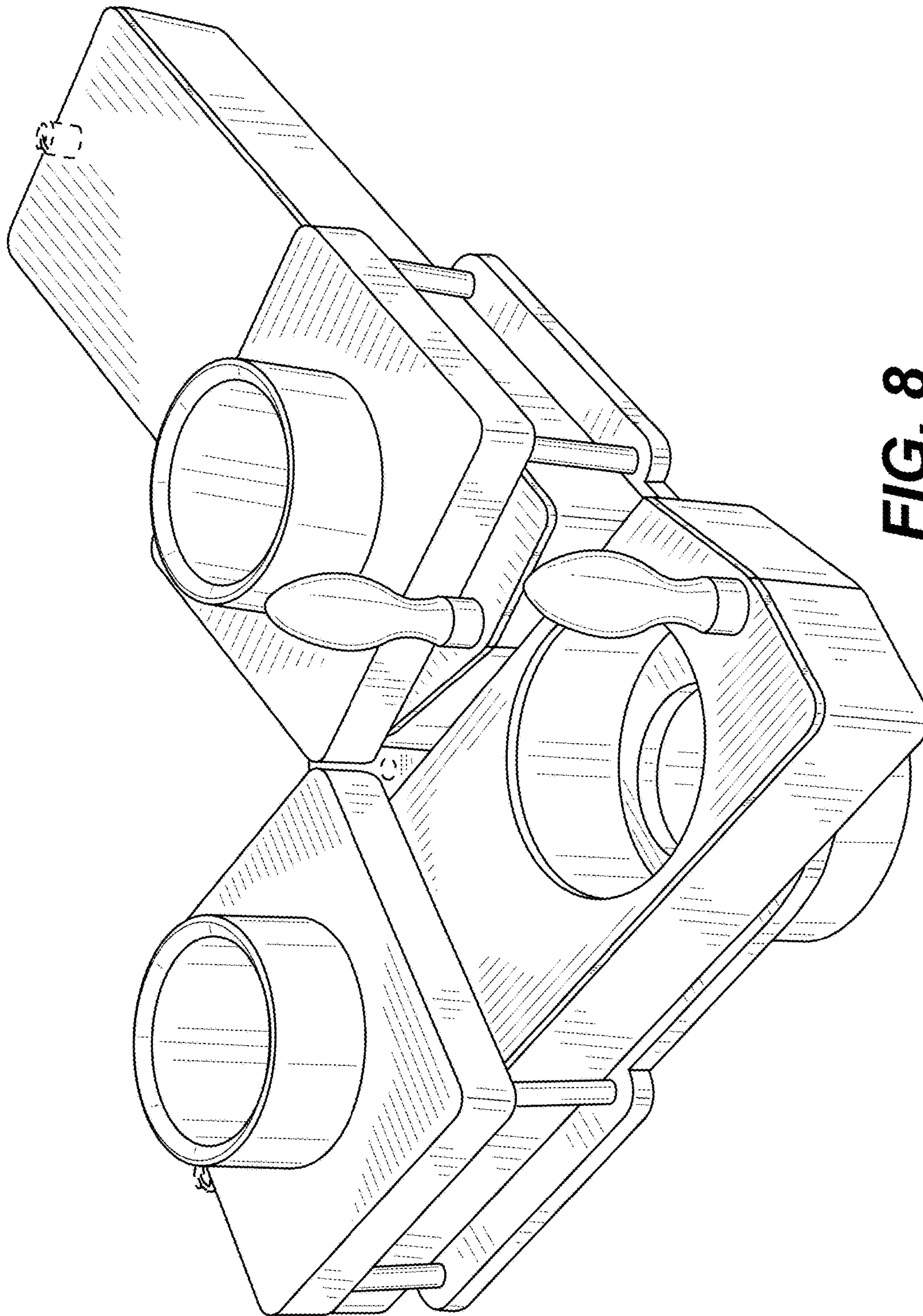


FIG. 8