



US00D825258S

(12) **United States Design Patent** (10) **Patent No.:** **US D825,258 S**  
**Majka et al.** (45) **Date of Patent:** **\*\* Aug. 14, 2018**

(54) **DRINK DISPENSING MANIFOLD WITH MULTIPLE DISPENSING POINTS FOR ATTACHMENT TO A COOLER**

(71) Applicants: **Zachary W. Majka**, Batavia, IL (US);  
**Tyler W. Nelson**, Batavia, IL (US);  
**Bruno C. Siegel**, Batavia, IL (US)

(72) Inventors: **Zachary W. Majka**, Batavia, IL (US);  
**Tyler W. Nelson**, Batavia, IL (US);  
**Bruno C. Siegel**, Batavia, IL (US)

(\*\*) Term: **15 Years**

(21) Appl. No.: **29/579,597**

(22) Filed: **Sep. 30, 2016**

(51) **LOC (11) Cl.** ..... **07-01**

(52) **U.S. Cl.**  
USPC ..... **D7/397; D7/398; D7/308**

(58) **Field of Classification Search**  
USPC ..... D7/300, 312, 313, 306, 512, 397, 398,  
D7/307, 308; 220/666; 137/561 A  
CPC . B65D 21/086; A61J 1/05; C12C 7/24; C12C  
13/10; C12C 13/00; B01D 43/00; B62B  
11/00

See application file for complete search history.

(56) **References Cited**

U.S. PATENT DOCUMENTS

- 144,565 A \* 11/1879 Roos ..... F16K 11/22  
137/883
- 582,769 A \* 3/1897 Wank ..... B60K 15/06  
137/577
- 1,099,713 A \* 6/1914 Morris ..... F16K 11/22  
137/883
- 1,416,126 A 5/1922 Rainey
- 1,444,262 A \* 2/1923 Morrison ..... A47J 31/50  
222/131
- 1,501,165 A \* 7/1924 Erzig ..... A47J 31/007  
99/298
- D101,724 S \* 10/1936 Worthington ..... D7/313

- 2,056,191 A \* 10/1936 Peltz ..... F23J 1/02  
110/165 R
  - 3,769,899 A \* 11/1973 Kostko ..... A47J 39/00  
99/324
  - 4,754,698 A \* 7/1988 Naish ..... C12C 13/10  
99/275
  - D298,602 S \* 11/1988 Price ..... D7/313
  - 5,123,458 A 6/1992 Collard
  - 5,311,811 A \* 5/1994 Kuzyk ..... C12G 1/0206  
210/242.1
  - D358,289 S \* 5/1995 Thies ..... D7/306
- (Continued)

FOREIGN PATENT DOCUMENTS

- DE 50709 3/1889
- EP 2 704 615 B1 12/2015
- WO WO 2012/150398 A1 11/2012

*Primary Examiner* — Marianne Pandozzi

(74) *Attorney, Agent, or Firm* — Brie A. Crawford

(57) **CLAIM**

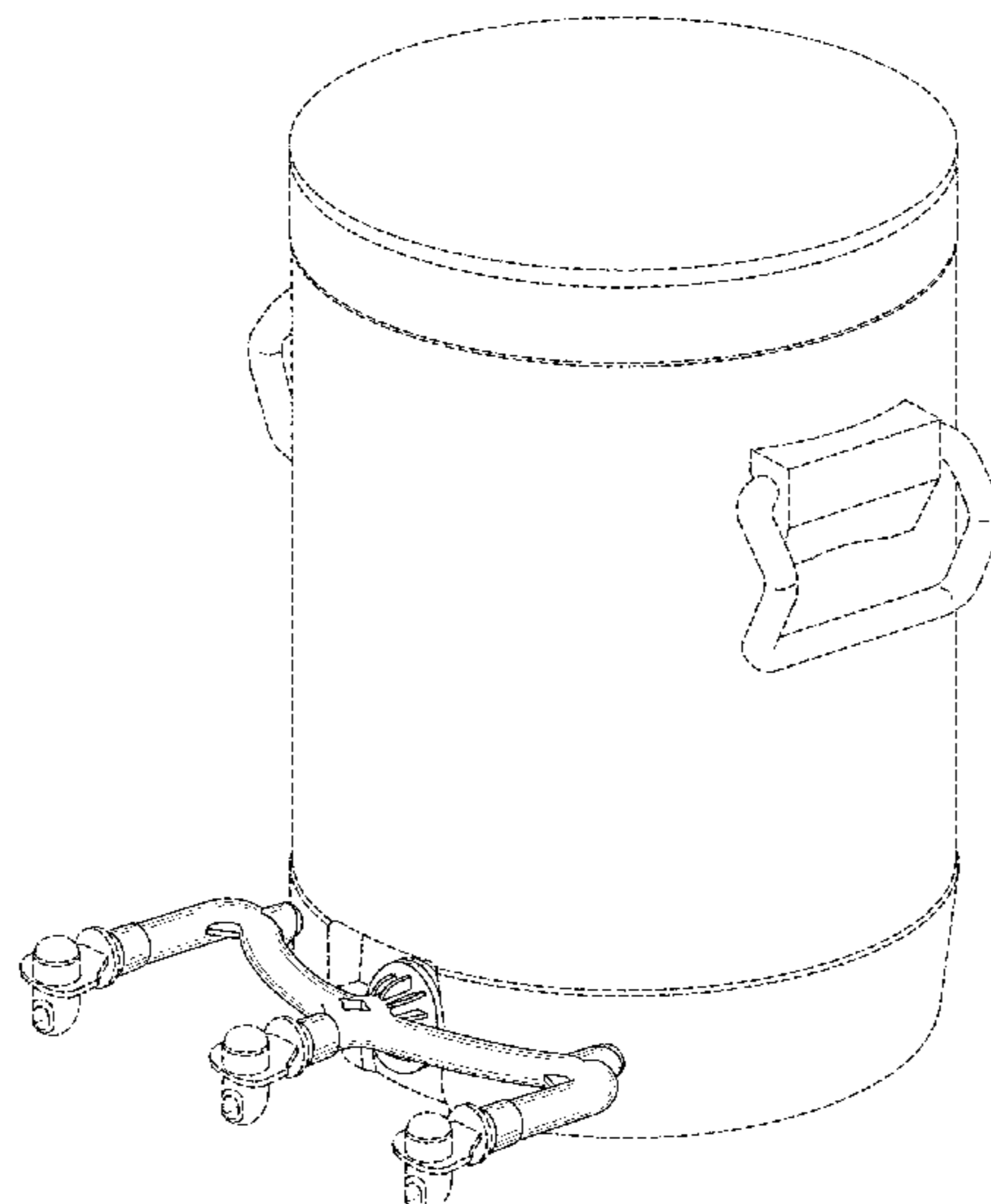
The ornamental design for a drink dispensing manifold with multiple dispensing points for attachment to a cooler, as shown and described.

**DESCRIPTION**

FIG. 1 is a top right perspective view of a drink dispensing manifold with multiple dispensing points for attachment to a cooler showing our new design;  
 FIG. 2 is a front view thereof;  
 FIG. 3 is an enlarged rear view thereof;  
 FIG. 4 is a top plan view of FIG. 1;  
 FIG. 5 is a bottom plan view thereof;  
 FIG. 6 is a left side view thereof; and,  
 FIG. 7 is a right side view thereof.

The broken lines in the drawing depict portions of the drink dispensing manifold with multiple dispensing points for attachment to a cooler that form no part of the claimed design.

**1 Claim, 6 Drawing Sheets**



(56)

**References Cited**

## U.S. PATENT DOCUMENTS

6,032,571 A \* 3/2000 Brous ..... C12C 13/10  
366/249  
D489,932 S \* 5/2004 Picozza ..... D7/306  
7,096,885 B2 \* 8/2006 Van Decker ..... E03C 1/023  
137/561 A  
7,121,293 B2 \* 10/2006 Walter ..... E03B 7/077  
137/15.01  
7,249,772 B2 \* 7/2007 Bruns ..... B62B 3/00  
220/915.2  
D655,562 S \* 3/2012 Schenk ..... D7/307  
8,678,530 B2 \* 3/2014 Wilson ..... B29C 44/385  
137/561 A  
9,192,883 B1 \* 11/2015 Blichmann ..... B01D 43/00  
9,341,281 B2 \* 5/2016 Hurst ..... G05D 7/03  
2004/0007276 A1 1/2004 Sugg  
2004/0124216 A1 7/2004 Payne et al.  
2008/0276998 A1 \* 11/2008 Boyher ..... E03C 1/023  
137/561 A  
2008/0311262 A1 \* 12/2008 Blichmann ..... B01D 43/00  
426/489  
2009/0183789 A1 \* 7/2009 Lewalle ..... B01J 4/008  
137/561 A  
2009/0285971 A1 \* 11/2009 Broderick ..... C12C 7/065  
426/627  
2010/0212419 A1 \* 8/2010 Radhakrishnan ..... A47J 31/50  
73/304 C  
2011/0244098 A1 \* 10/2011 Blichmann ..... B01D 35/027  
426/431  
2016/0186108 A1 \* 6/2016 Kucera ..... C12C 13/10  
99/276  
2016/0348046 A1 \* 12/2016 Wood ..... C12H 1/22

\* cited by examiner

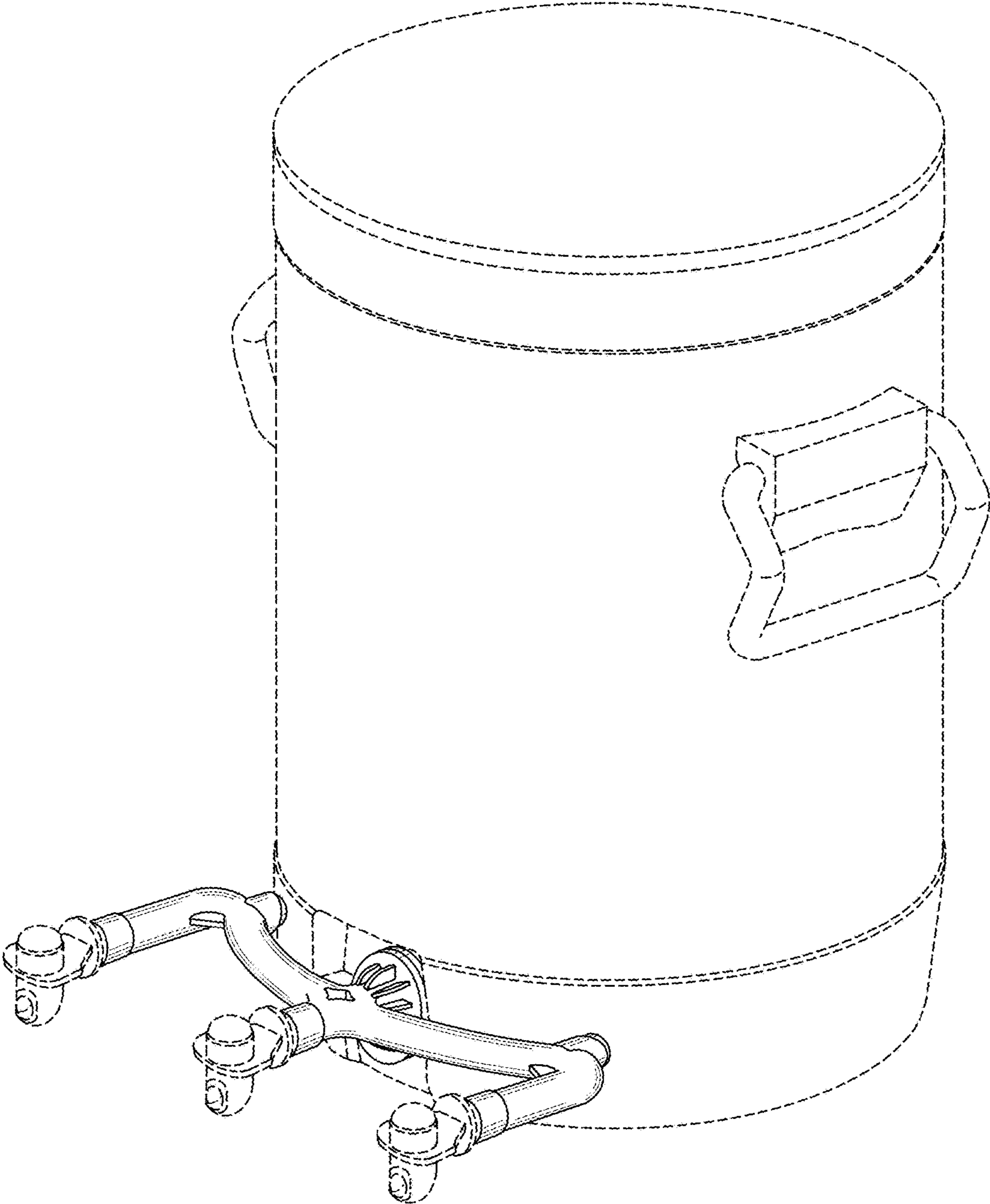


FIG. 1

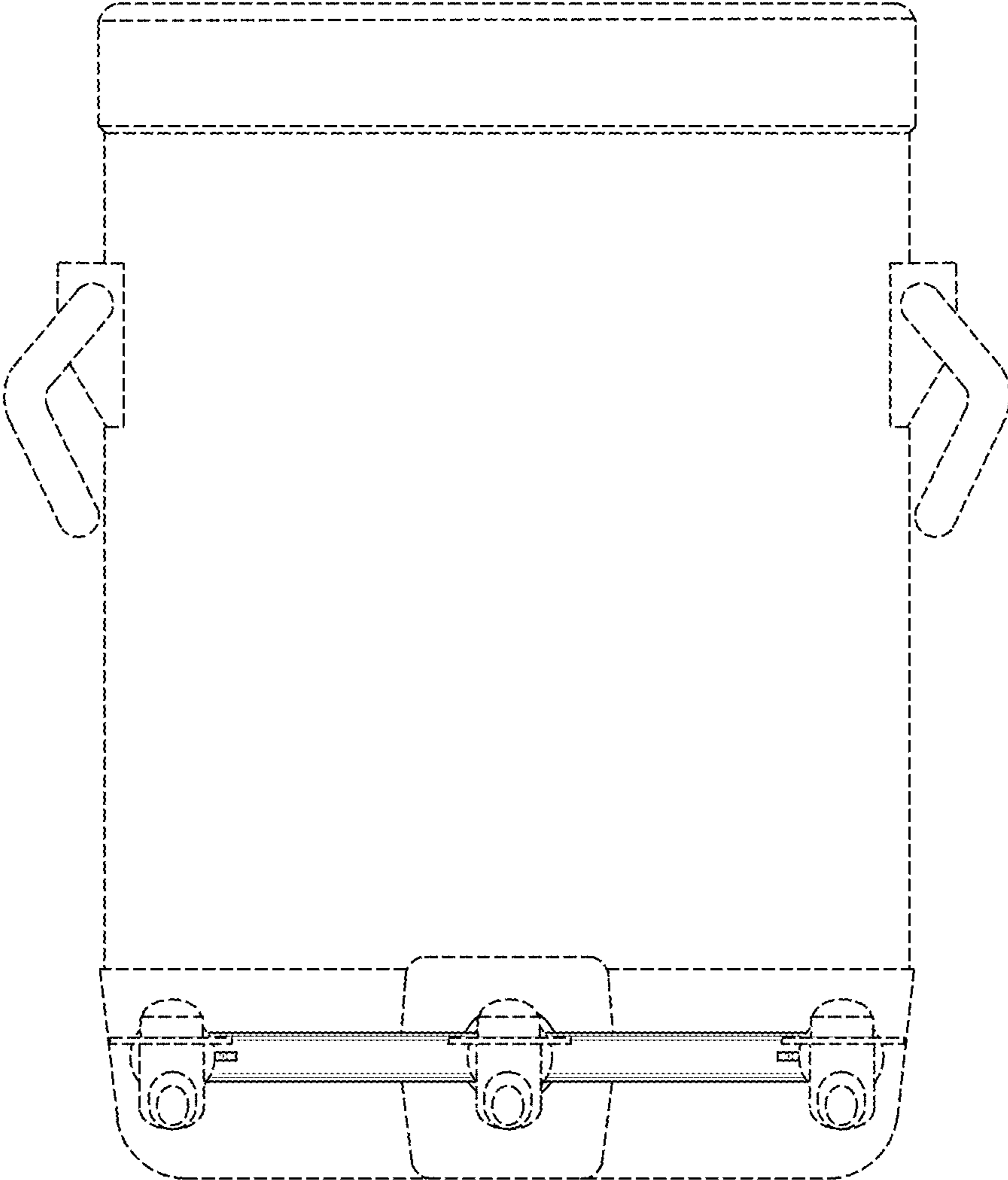


FIG. 2

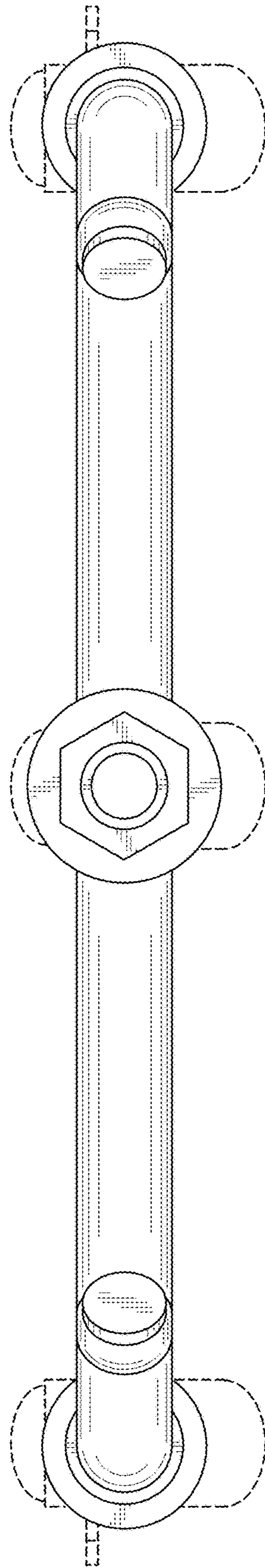


FIG. 3

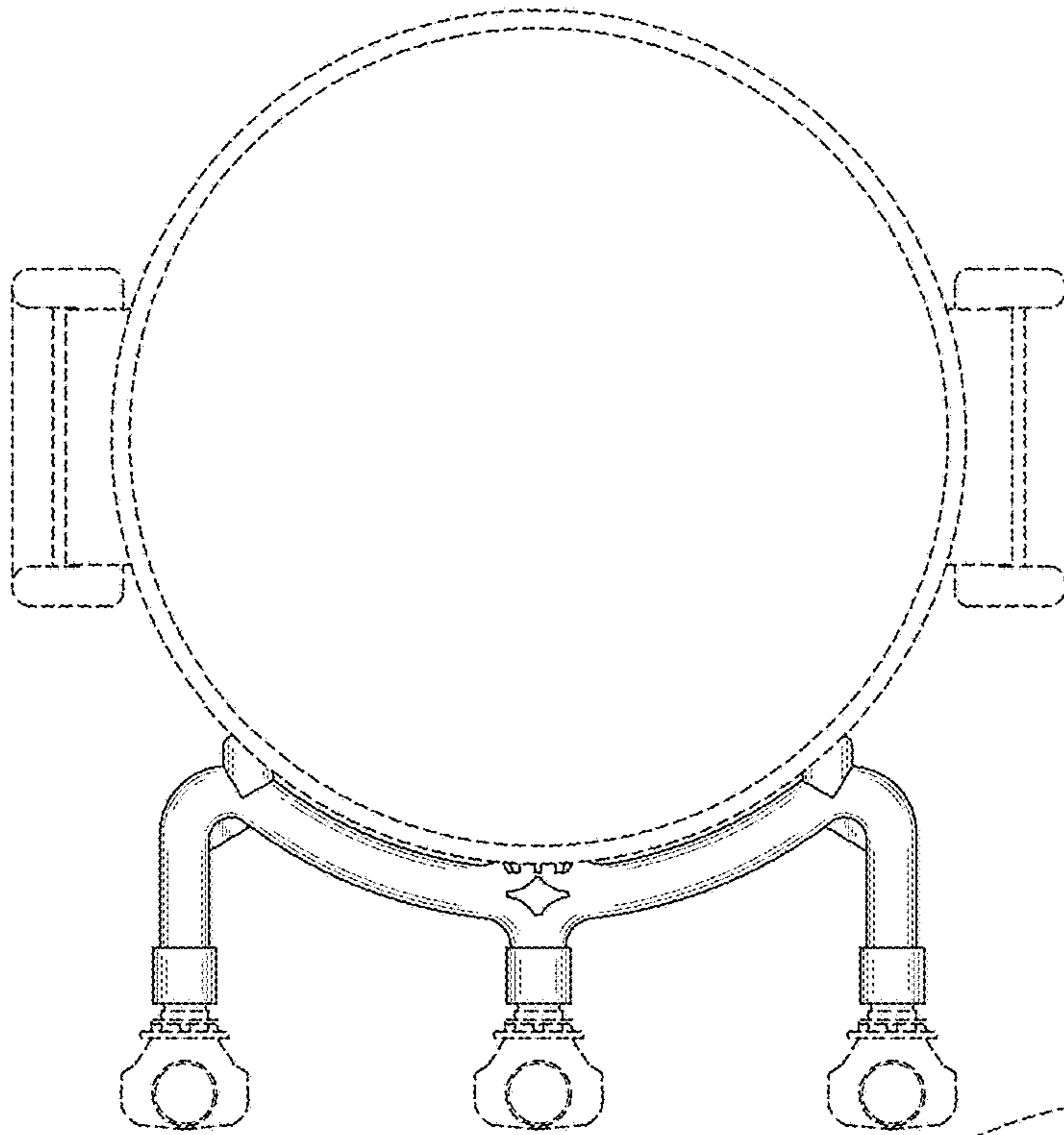


FIG. 4

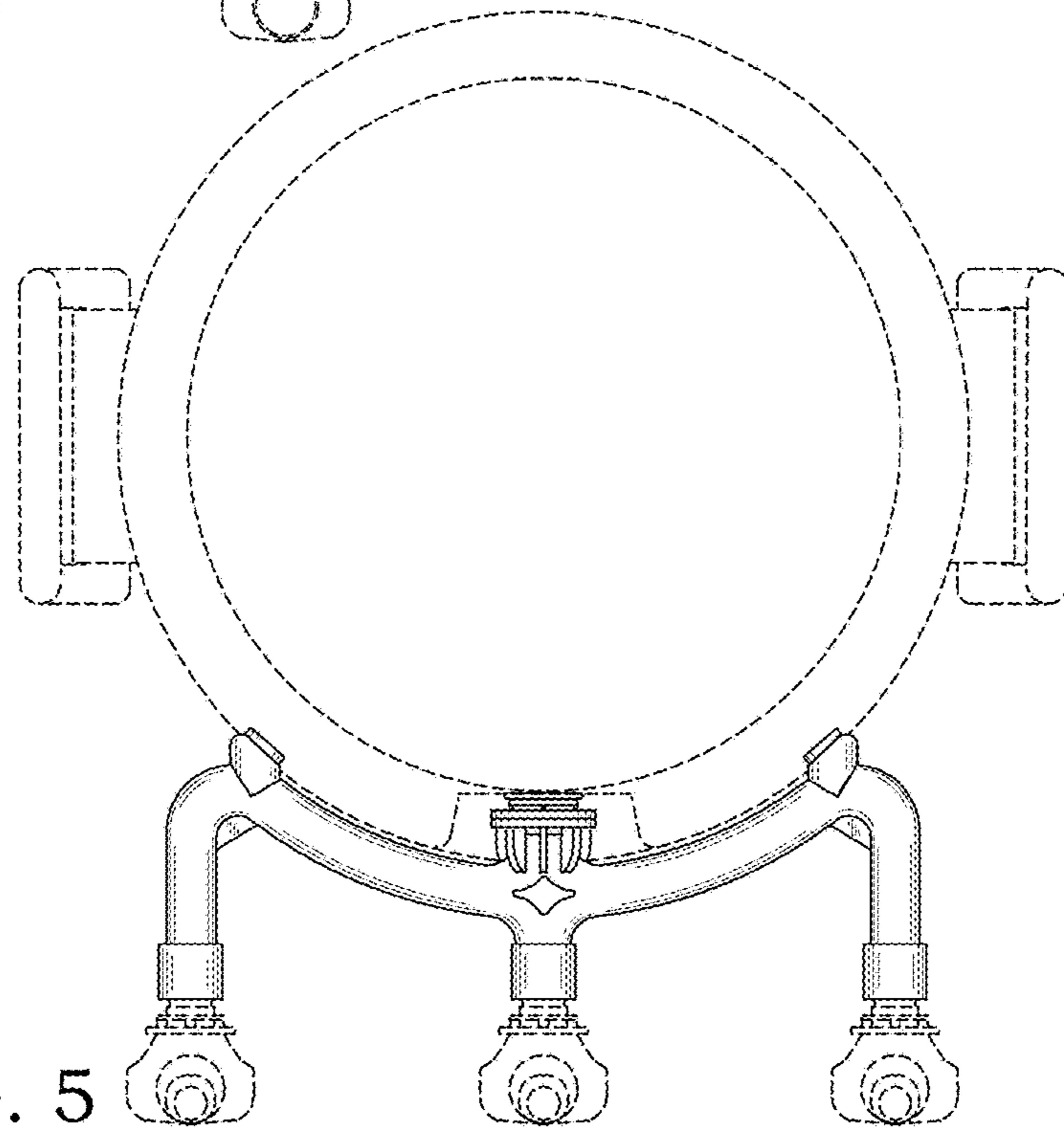


FIG. 5

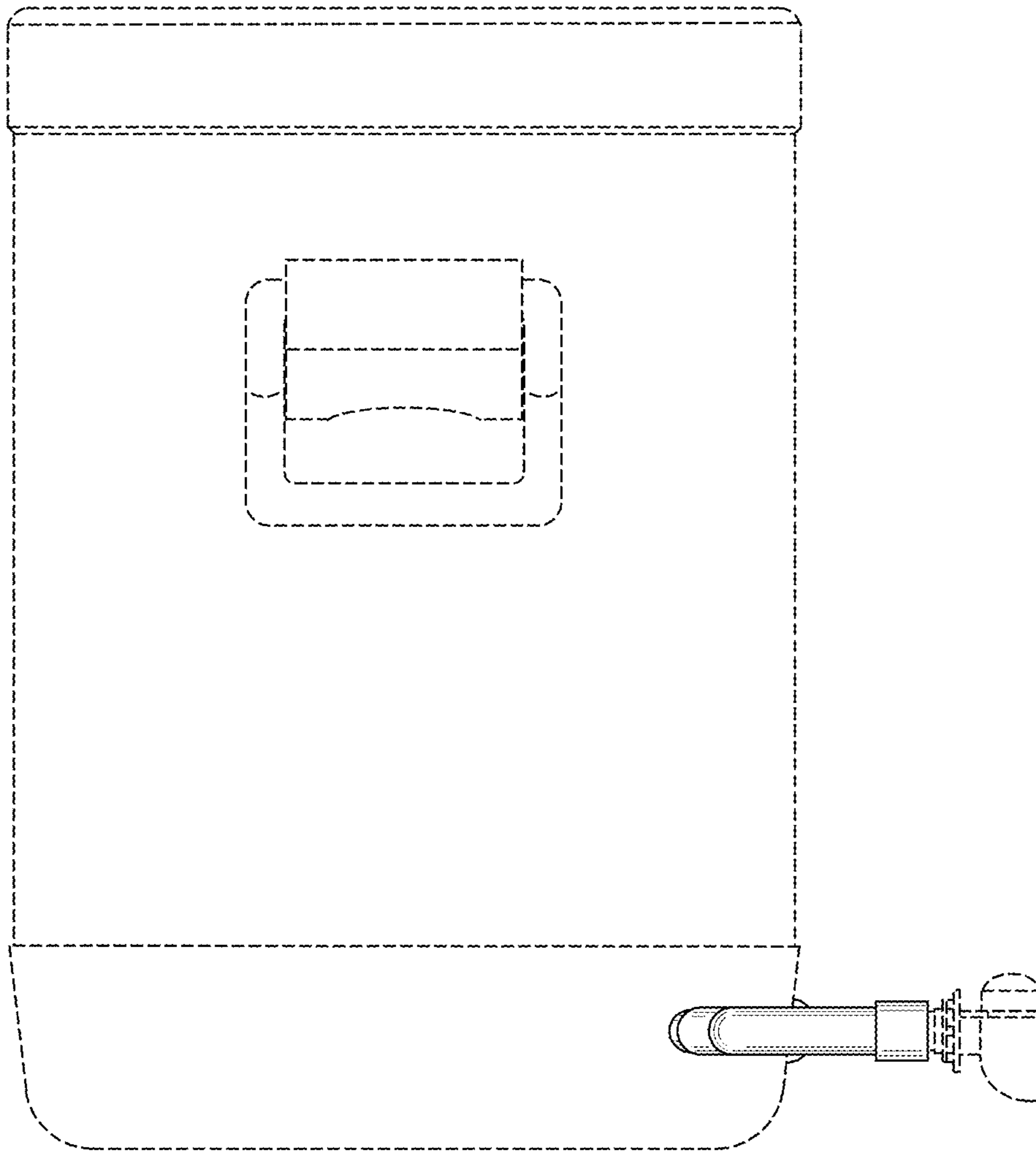


FIG. 6

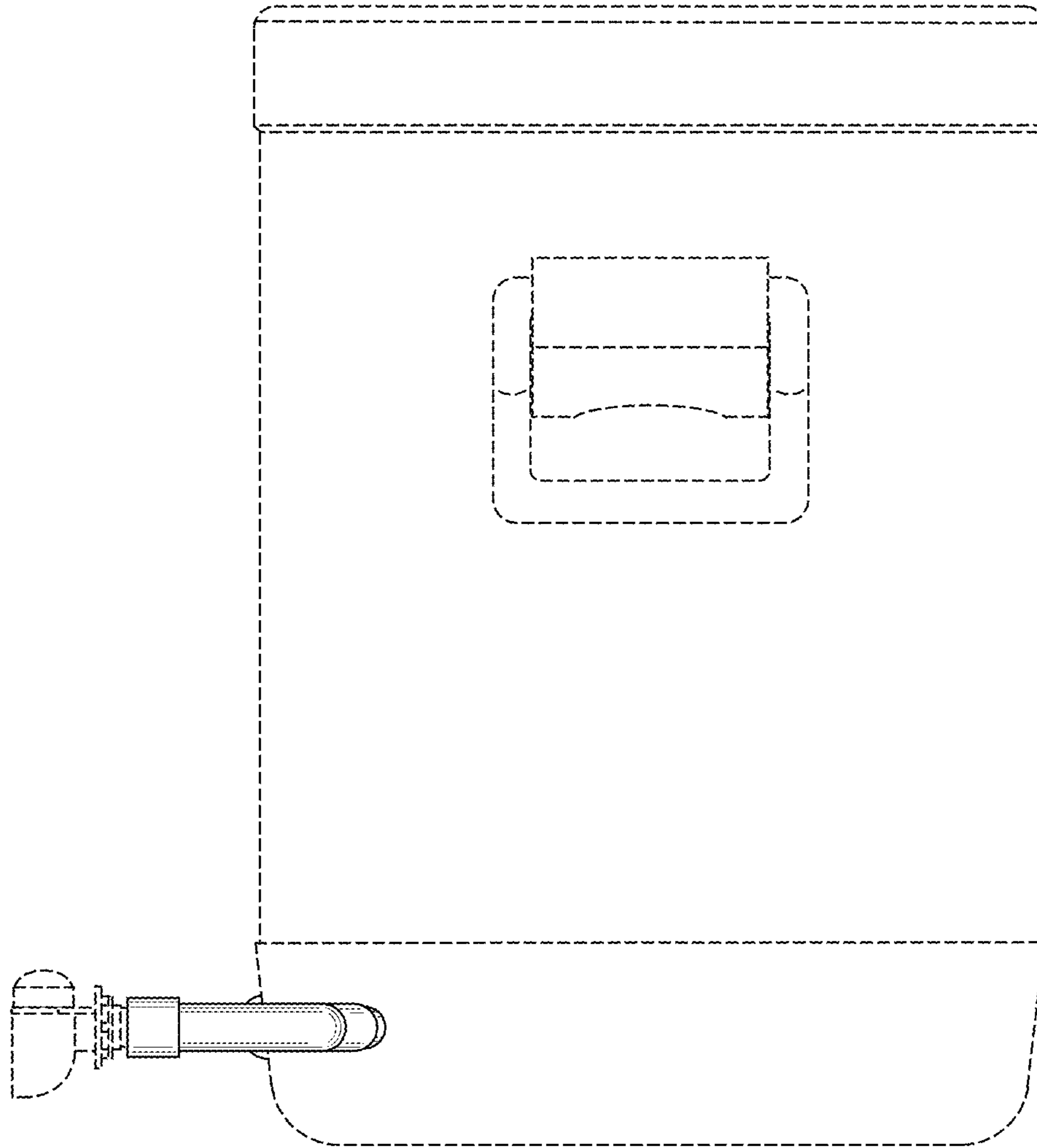


FIG. 7