



US00D825256S

(12) **United States Design Patent** (10) **Patent No.:** **US D825,256 S**
Vu et al. (45) **Date of Patent:** **** Aug. 14, 2018**

(54) **FOOD PROCESSOR**

(71) Applicant: **De' Longhi Braun Household GmbH**,
Neu-Isenburg (DE)

(72) Inventors: **Duy Phong Vu**, Schwalbach am Taunus
(DE); **Sven Wuttig**, Griesheim (DE);
Dennis Müller, Frankhurl Am Main
(DE); **Britta Stockinger**, Frankfurt Am
Main (DE); **Markus Orthey**, Eltville
Am Rhein (DE); **Julia Bassarek**,
Frankfurt Am Main (DE)

(73) Assignee: **De' Longhi Braun Household GmbH**,
Neu-Isenburg (DE)

(**) Term: **15 Years**

(21) Appl. No.: **29/599,737**

(22) Filed: **Apr. 6, 2017**

(30) **Foreign Application Priority Data**

Oct. 7, 2016 (EM) 3411057-0001

(51) **LOC (11) Cl.** **31-00**

(52) **U.S. Cl.**
USPC **D7/379; D7/384**

(58) **Field of Classification Search**

USPC D7/309, 372, 376-386, 412-413, 602,
D7/629, 665-666, 669, 679, 693-694
CPC A21C 1/02; A21C 1/04; A23N 1/00; A23N
1/02; A47J 27/004; A47J 43/04; A47J
43/25; A47J 43/27; A47J 43/042; A47J
43/044; A47J 43/046; A47J 43/075; A47J
43/0722; A47J 43/0727; B01F 3/00; B01F
3/0807; B01F 3/0853; B01F 13/0059;
B01F 13/0064; B02C 1/08; B02C 2/04;
B02C 4/42; B02C 4/142; B02C 4/143;
B02C 4/423; B02C 13/1835; B28C 5/10;
B28C 5/12; B28C 5/14; B28C 5/16
See application file for complete search history.

(56) **References Cited**

U.S. PATENT DOCUMENTS

D162,875	S	*	4/1951	Polivka et al.	D7/379
D170,130	S	*	8/1953	Moore	D7/379
2,662,753	A	*	12/1953	Schwarz	A47J 43/044 188/82.7
D189,936	S	*	3/1961	Grange	D7/379
4,325,643	A	*	4/1982	Scott	A47J 43/044 241/101.1
D265,166	S	*	6/1982	Ernest	D7/386
D279,072	S	*	6/1985	Elkerbout	D7/386
D286,258	S	*	10/1986	Grange	D7/379
D314,883	S	*	2/1991	Naft	D7/379
D315,473	S	*	3/1991	Copland	D7/379
D319,555	S	*	9/1991	Thomas	D7/379
D454,023	S	*	3/2002	Wang	D7/309

(Continued)

Primary Examiner — Ricky Pham

(74) *Attorney, Agent, or Firm* — Marshall, Gerstein &
Borun LLP

(57) **CLAIM**

The ornamental design for a food processor, as shown and described.

DESCRIPTION

FIG. 1 is a front, right-side, and top view of a food processor showing the new design.

FIG. 2 is a front elevation view of the food processor.

FIG. 3 is a back elevation view of the food processor.

FIG. 4 is a left-side elevation view of the food processor.

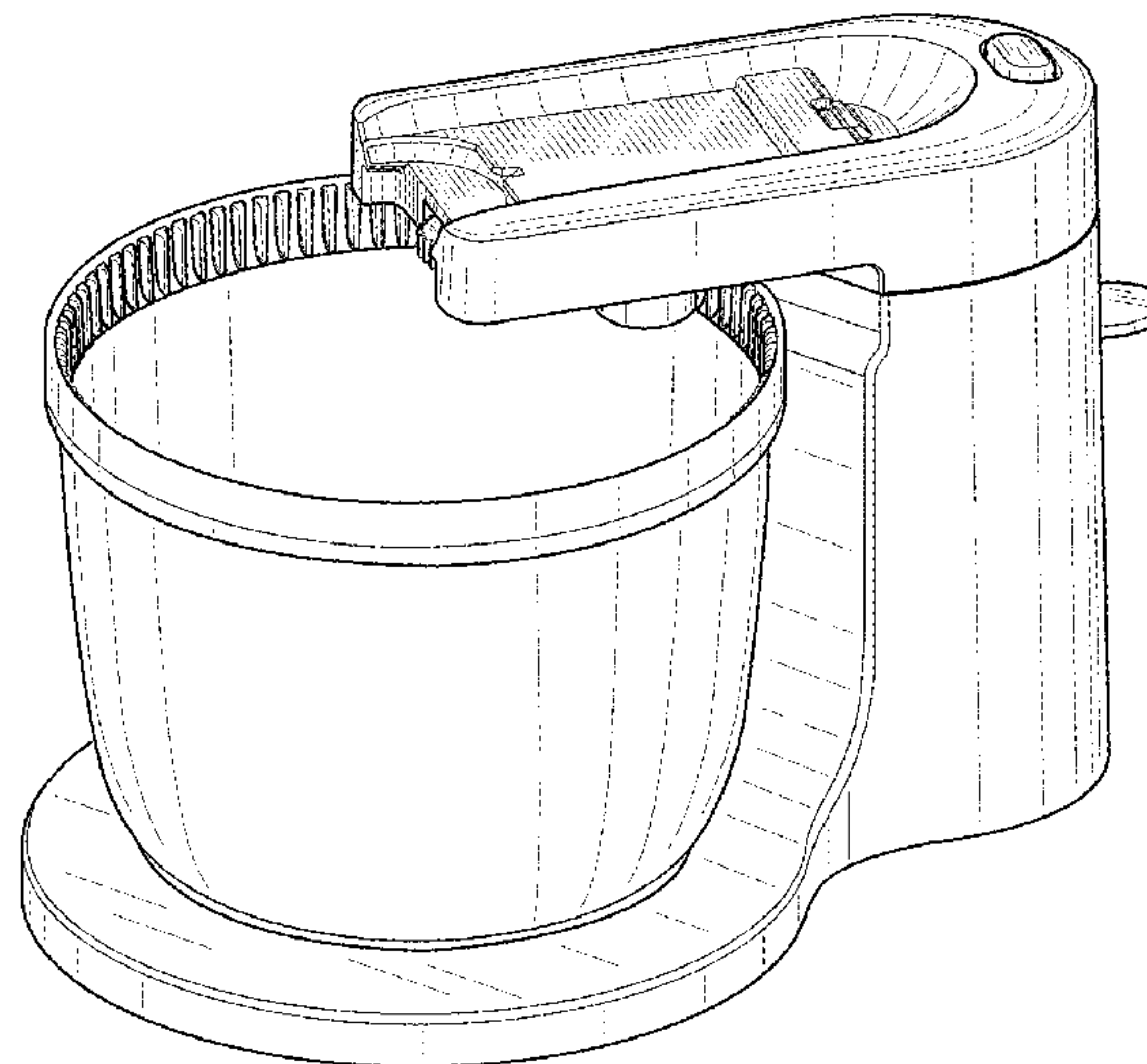
FIG. 5 is a right-side elevation view of the food processor.

FIG. 6 is a bottom plan view of the food processor; and,

FIG. 7 is a top plan view of the food processor.

Elements of the food processor whose details are not apparent from these views will be reduced to broken lines and form no part of the claimed design.

1 Claim, 7 Drawing Sheets



(56)

References Cited

U.S. PATENT DOCUMENTS

D499,604 S *	12/2004	Hooper	D7/376
D502,841 S *	3/2005	Santer	D7/309
D530,146 S *	10/2006	Ball	D7/379
D541,586 S *	5/2007	Feil	D7/384
D551,494 S *	9/2007	Feil	D7/379
D612,195 S *	3/2010	Liu	D7/379
D613,549 S *	4/2010	Picozza	D7/376
8,348,186 B2 *	1/2013	Seidler	A47J 27/004 241/101.3
D677,520 S *	3/2013	Choi	D7/376
D728,304 S *	5/2015	Weaden	D7/376
D743,735 S *	11/2015	Weaden	D7/376
D748,428 S *	2/2016	Yuan	D7/376
D758,125 S *	6/2016	Jeong	D7/376
D796,254 S *	9/2017	Thomas	D7/376

* cited by examiner

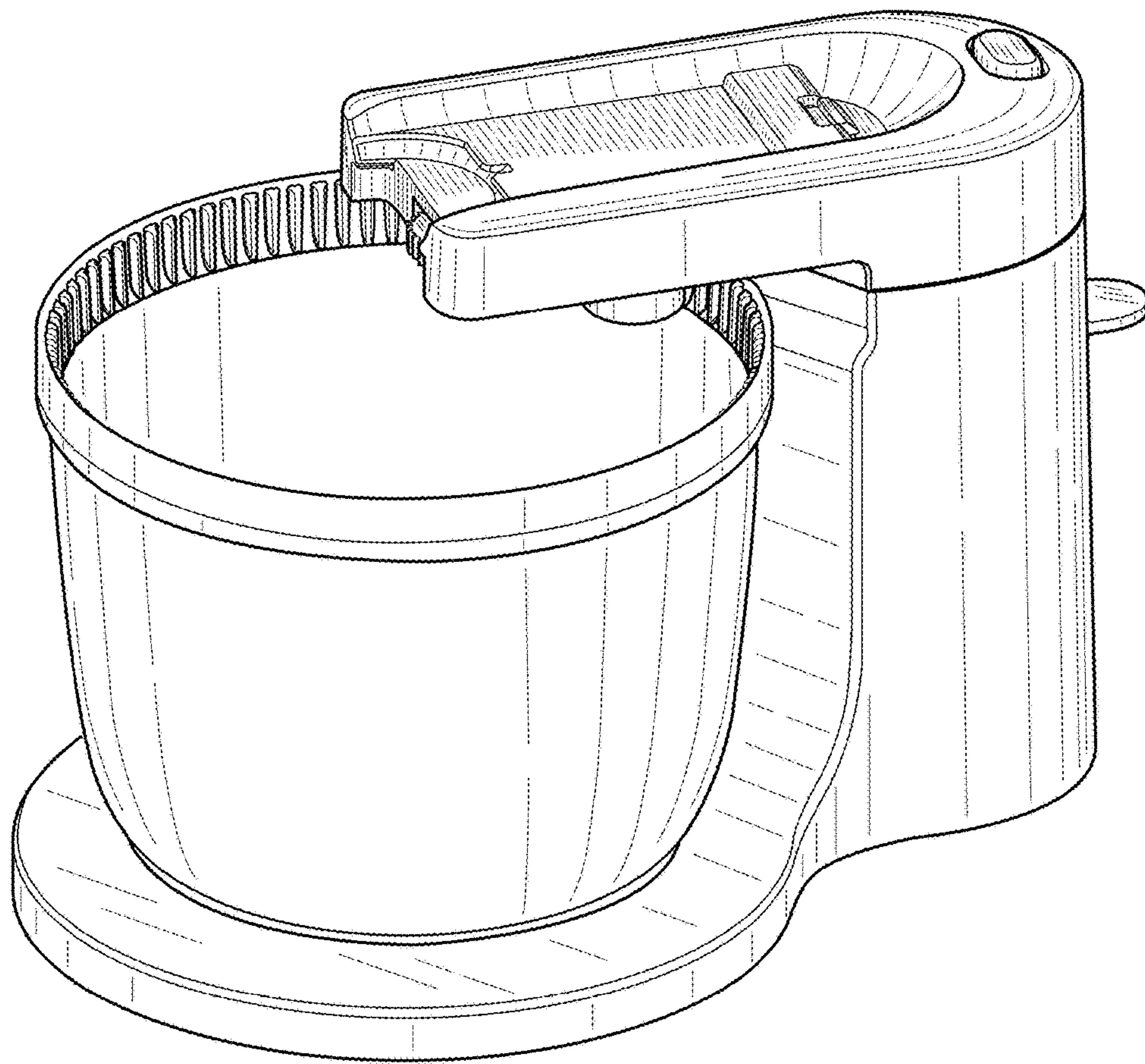


FIG. 1

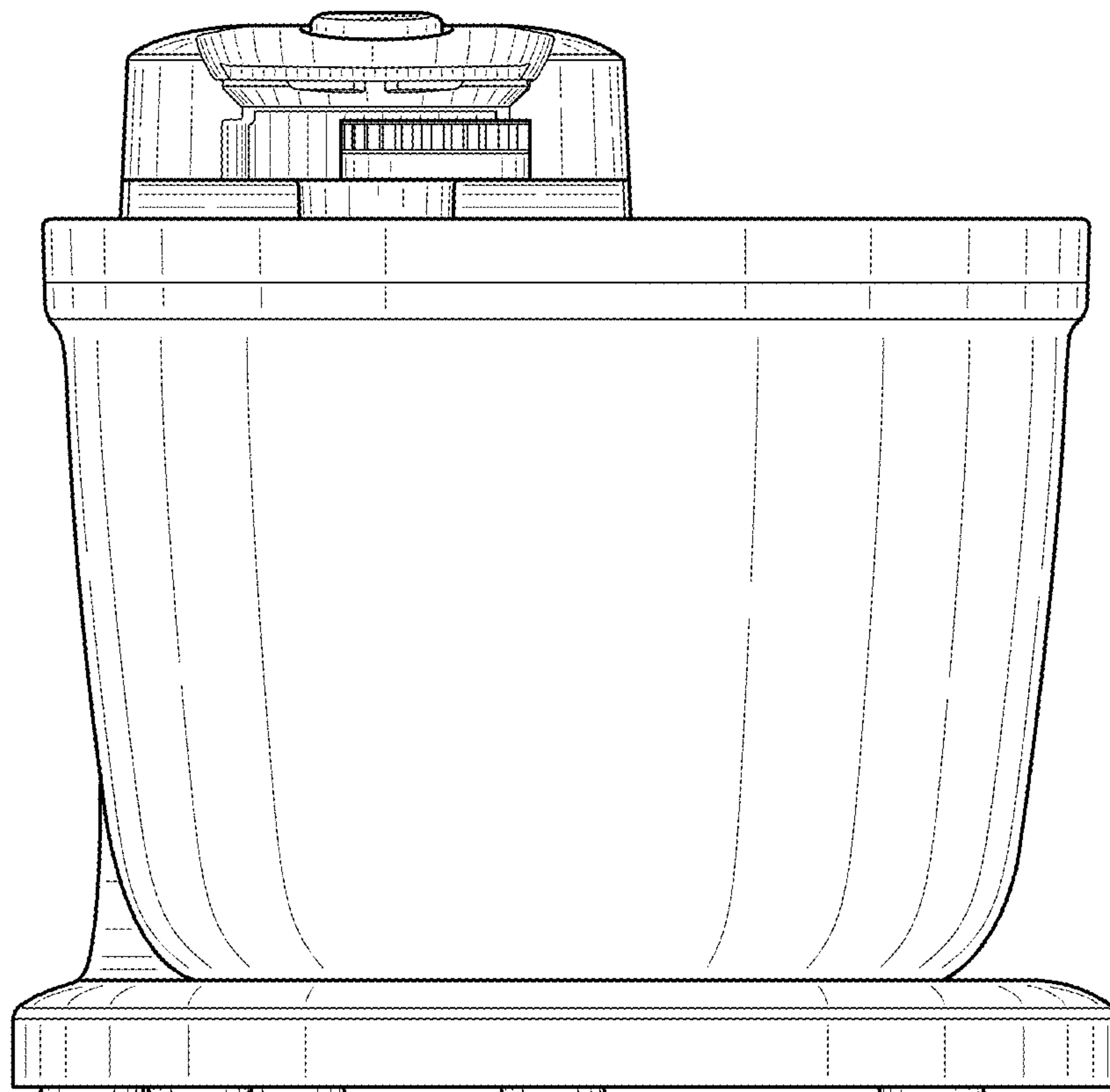


FIG. 2

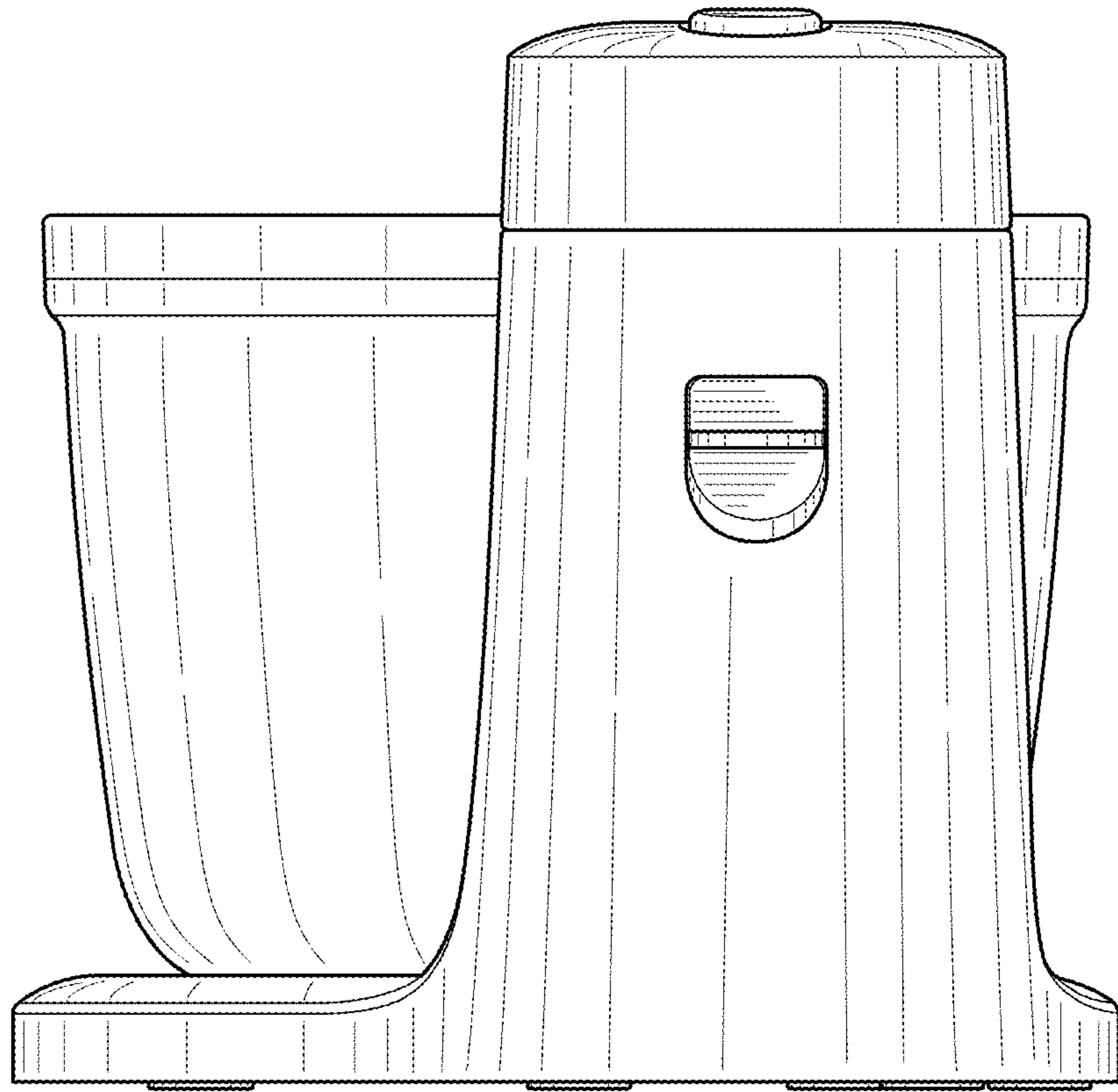


FIG. 3

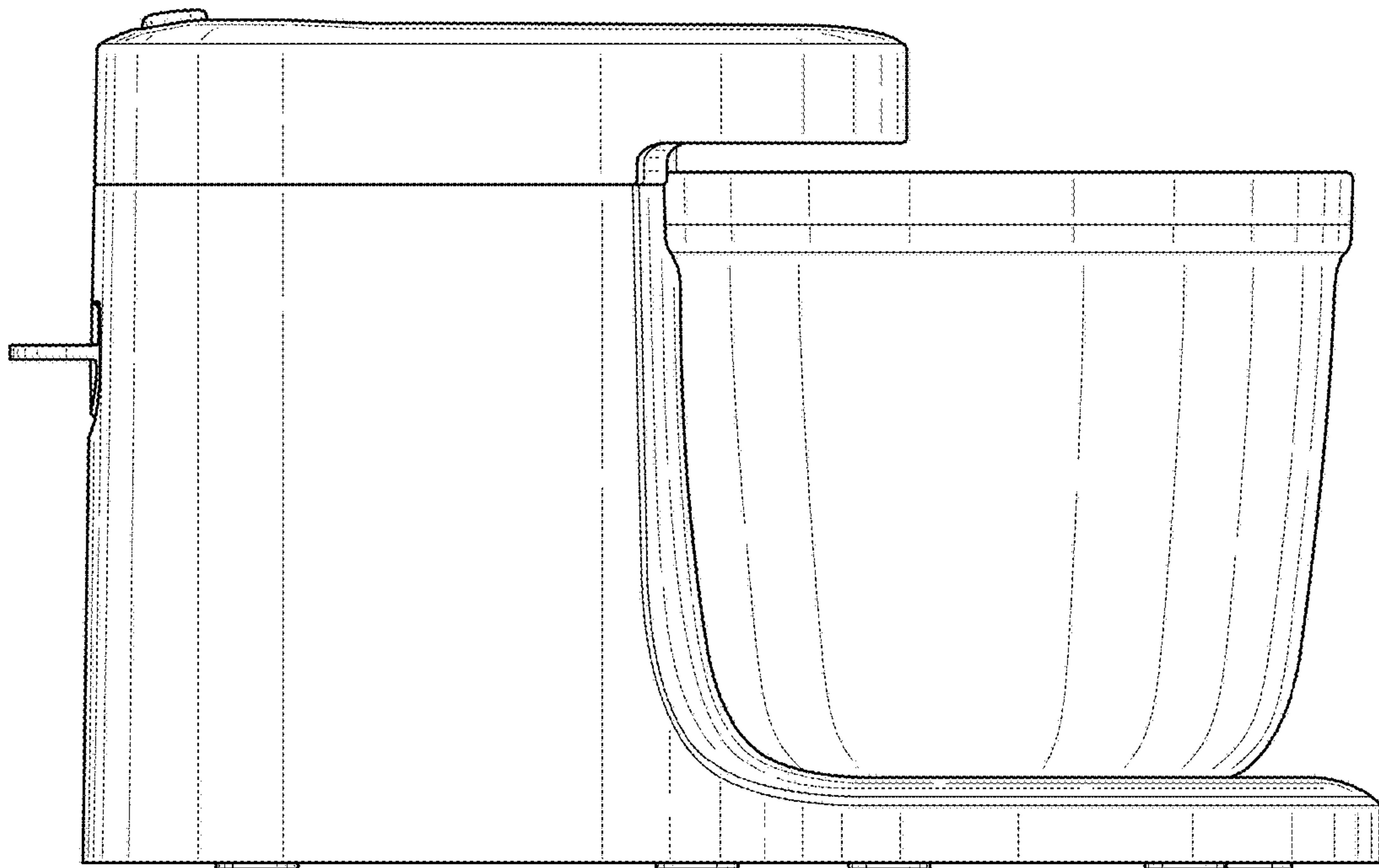


FIG. 4

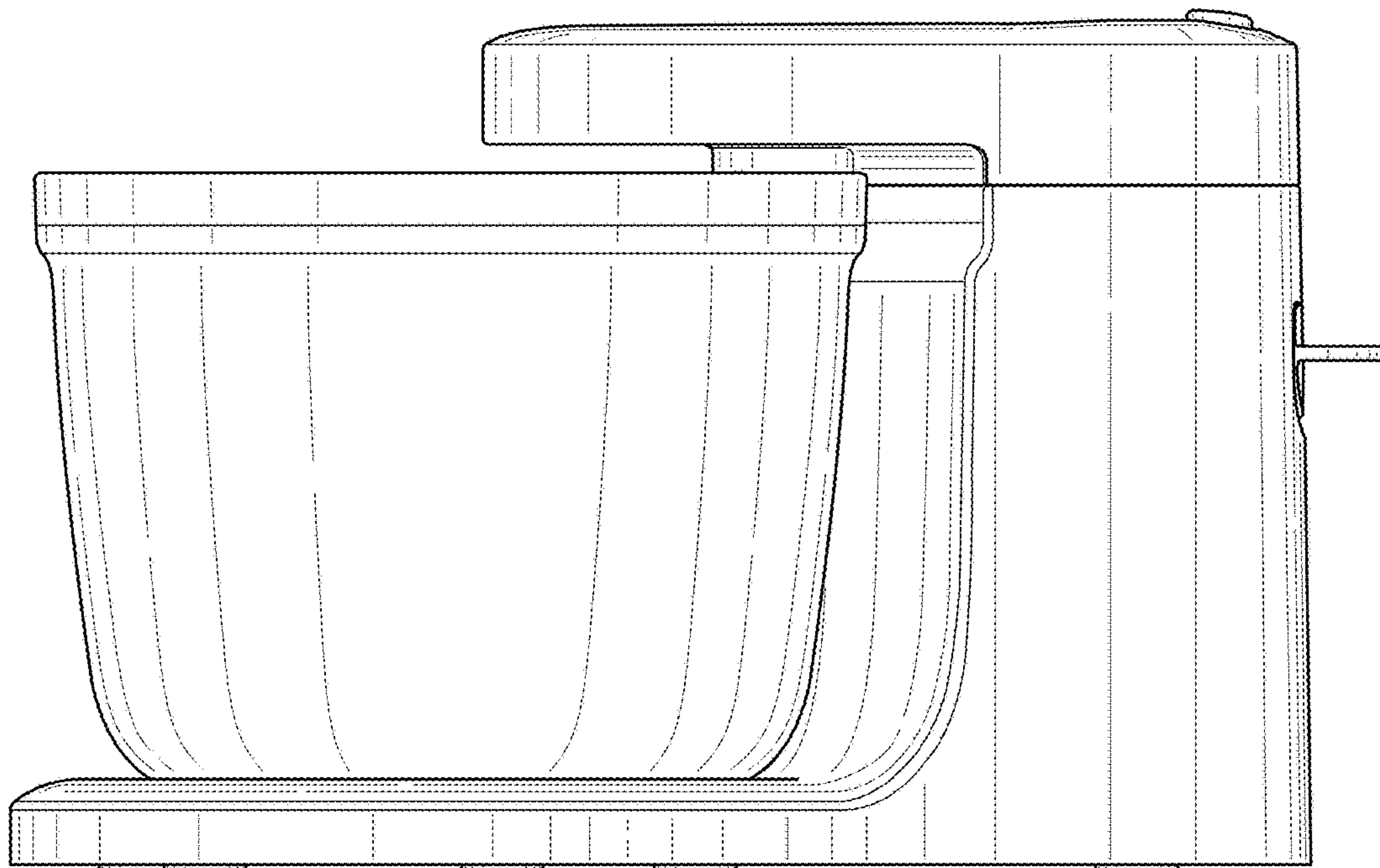


FIG. 5

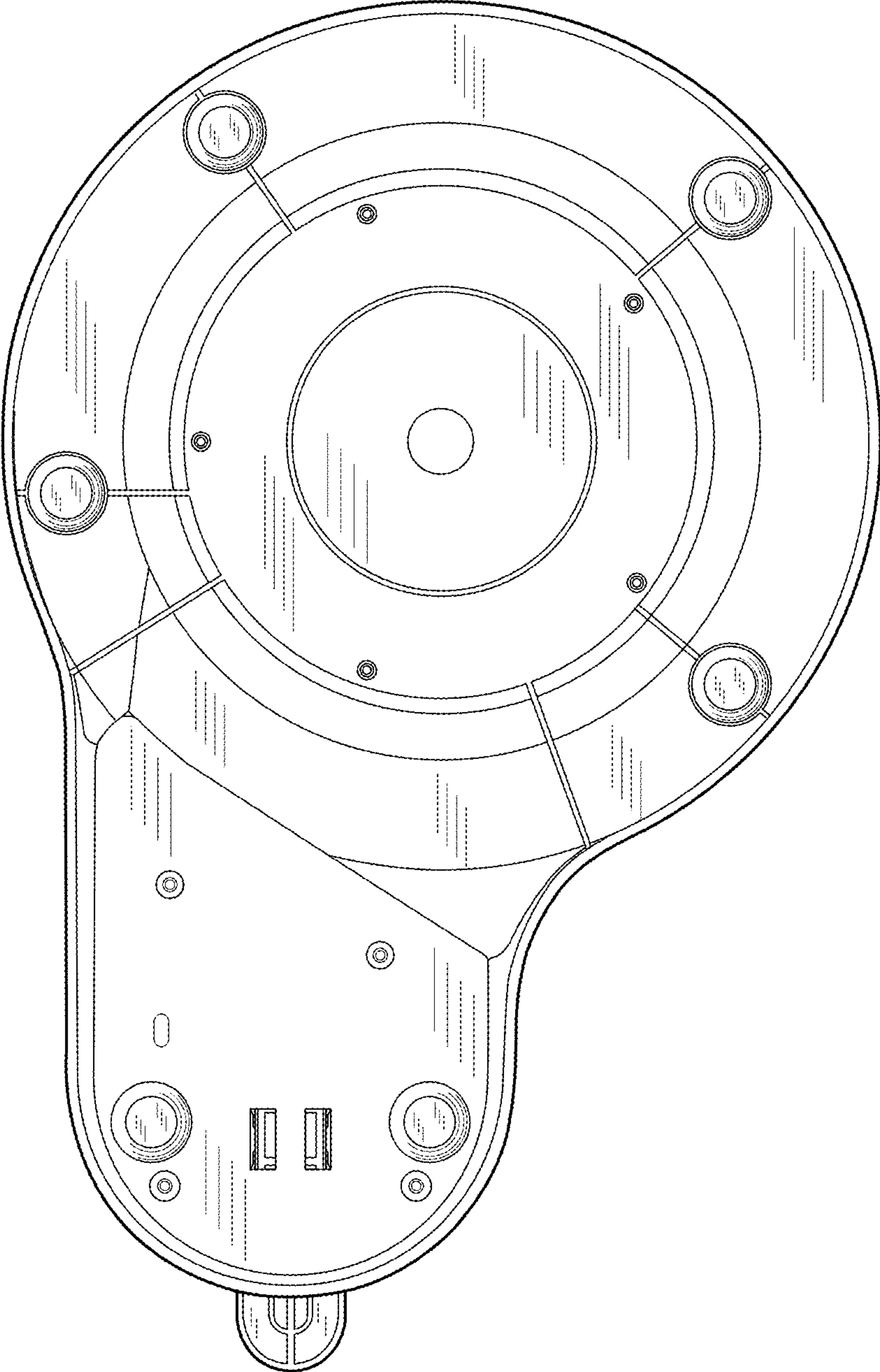


FIG. 6

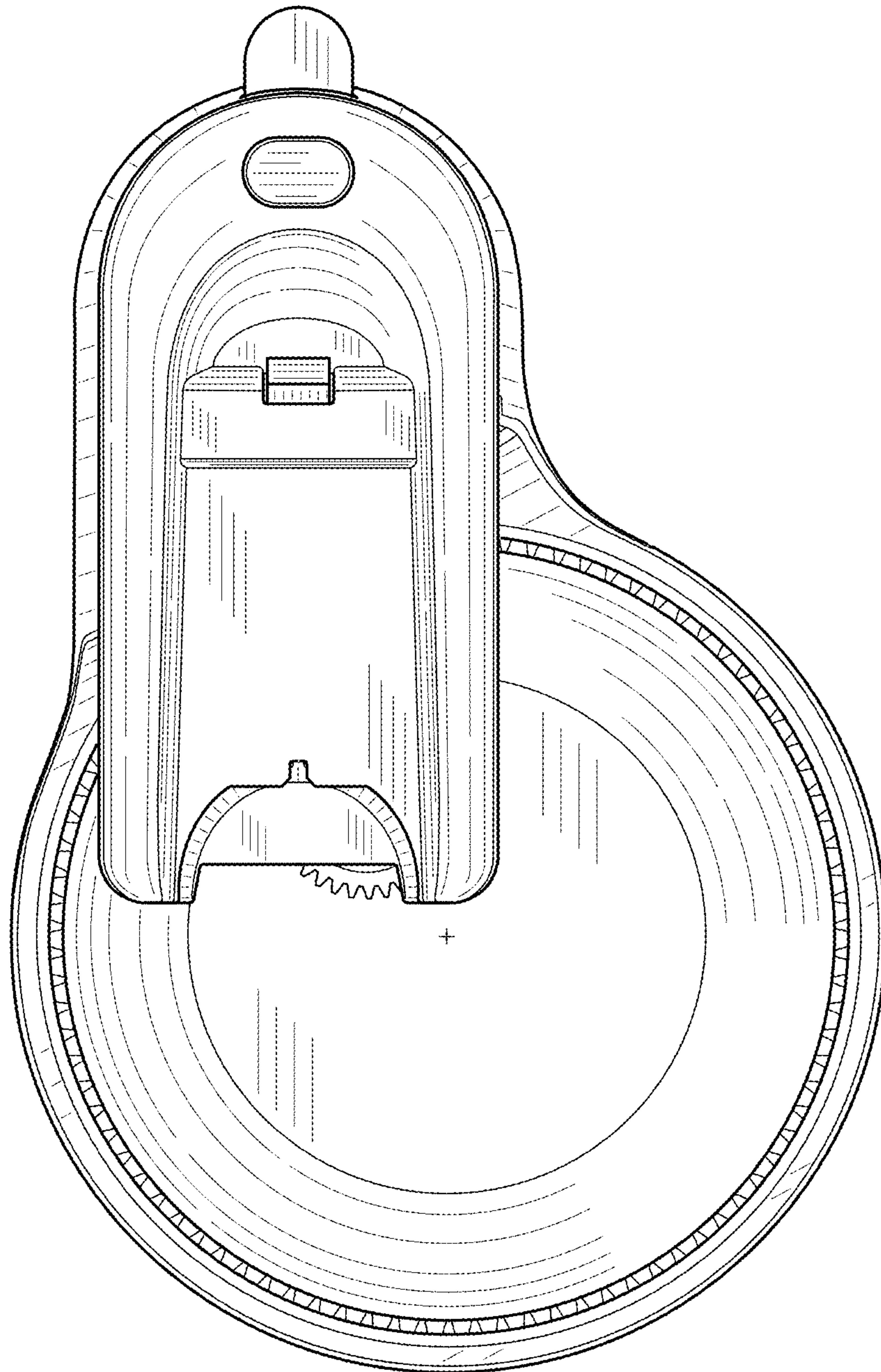


FIG. 7