



US00D825254S

(12) **United States Design Patent**
Khubani

(10) **Patent No.:** **US D825,254 S**

(45) **Date of Patent:** **** Aug. 14, 2018**

(54) **BAKING APPARATUS**

(71) Applicant: **Telebrands Corp.**, Fairfield, NJ (US)

(72) Inventor: **Ajit Khubani**, Saddle River, NJ (US)

(73) Assignee: **Telebrands Corp.**, Fairfield, NJ (US)

(**) Term: **15 Years**

(21) Appl. No.: **29/607,645**

(22) Filed: **Jun. 15, 2017**

(51) **LOC (11) Cl.** **07-02**

(52) **U.S. Cl.**

USPC **D7/357**; D7/354; D7/360

(58) **Field of Classification Search**

USPC D7/323, 354–361, 543, 545, 549, 550.1,
D7/553.1–553.8, 554.1–554.4, 555, 584,
D7/586, 672–673, 688; D9/430–433,
D9/455–456, 737, 756–762

CPC .. A21B 3/00; A21B 3/003; A21B 3/13; A21B
3/15; A21B 3/134; A21B 5/00; A21B
5/02; A21C 11/106; A47J 36/022; A47J
36/025; A47J 36/027; A47J 37/00; A47J
37/04; A47J 37/0694; A47J 43/28; A47J
43/284; B26D 3/185; B29C 65/02; B65D
1/22; B65D 1/24; B65D 1/34; B65D
1/36; B65D 81/343; B65D 85/36; F25C
1/246

See application file for complete search history.

(56) **References Cited**

U.S. PATENT DOCUMENTS

- 1,780,980 A * 11/1930 Newman F25C 1/246
62/298
- 2,048,412 A * 7/1936 Sissman F25C 1/246
249/128
- 4,055,892 A * 11/1977 Del Vecchio B26D 3/185
30/303
- 5,597,113 A * 1/1997 Bradford B29C 65/02
229/120.07

- D409,054 S * 5/1999 Wirfel D7/673
- 6,276,918 B1 * 8/2001 Slaughter A21C 11/106
249/DIG. 1
- 6,823,773 B2 * 11/2004 Swinford A47J 37/0694
99/426
- D586,626 S * 2/2009 Carrell D7/672
- D590,215 S * 4/2009 Carrell D7/672
- 7,770,751 B2 8/2010 Henry et al.
- D630,884 S * 1/2011 Stein D7/354
- D664,814 S * 8/2012 Lepore D7/672
- RE43,839 E 12/2012 Henry et al.
- 9,033,181 B2 5/2015 Feriola et al.

(Continued)

OTHER PUBLICATIONS

Perfect Brownie Pan, available at <http://www.asseenontv.com/perfect-brownie-pan/>, accessed on Jun. 15, 2017.

(Continued)

Primary Examiner — Ricky Pham

(74) *Attorney, Agent, or Firm* — Cooper & Dunham LLP

(57) **CLAIM**

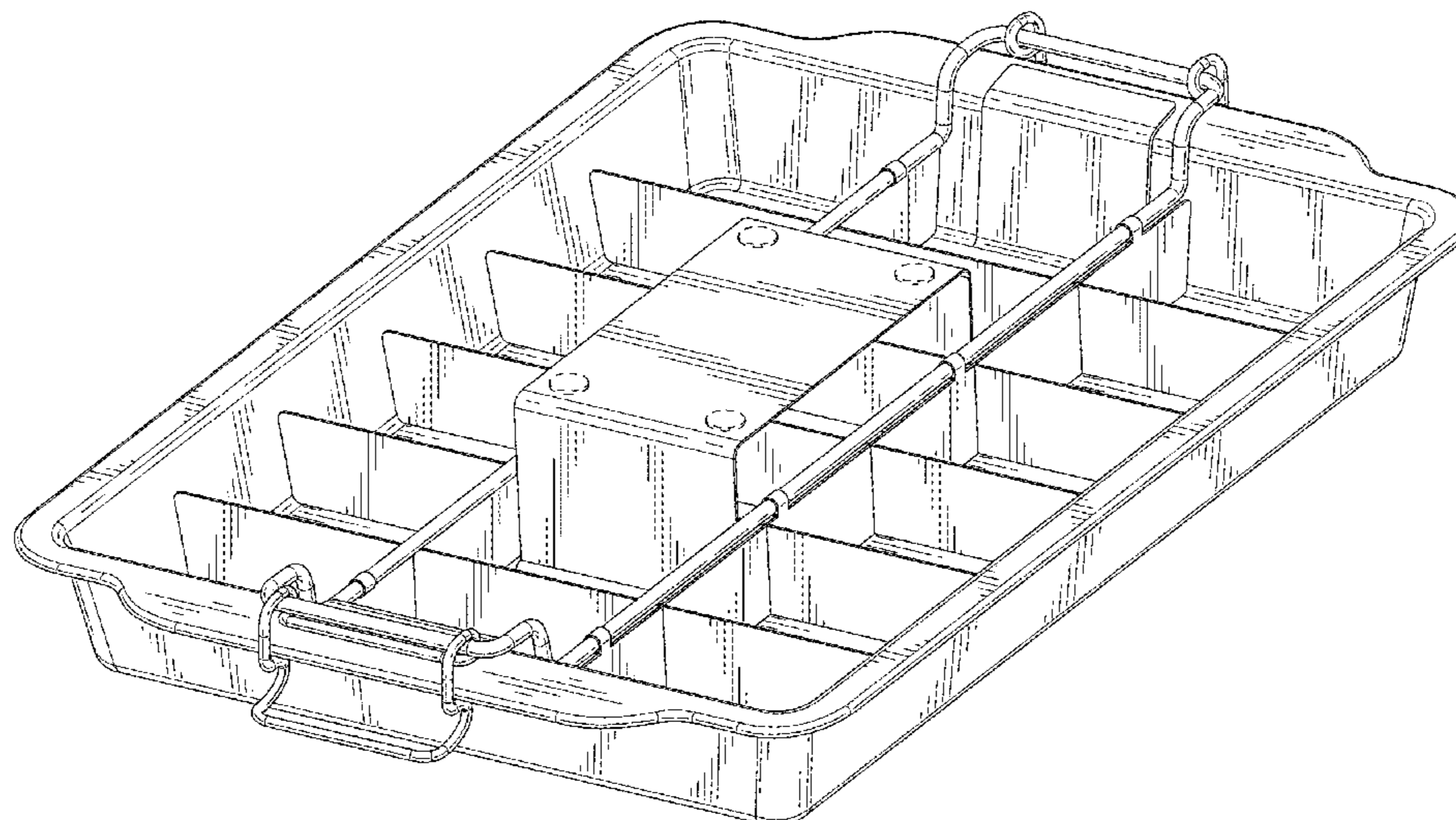
The ornamental design for a baking apparatus, as shown and described.

DESCRIPTION

FIG. 1 is a top perspective view of a baking apparatus in accordance with the present design;
FIG. 2 is a bottom perspective view thereof;
FIG. 3 is a left side view thereof;
FIG. 4 is a right side view thereof;
FIG. 5 is a front view thereof;
FIG. 6 is a back view thereof;
FIG. 7 is a top view thereof; and,
FIG. 8 is a bottom view thereof.

The broken lines are for illustrative purposes only and form no part of the claimed design. The shading represents contour of the claimed design.

1 Claim, 6 Drawing Sheets



(56)

References Cited

U.S. PATENT DOCUMENTS

9,474,411 B2 10/2016 Gattineri
D770,244 S * 11/2016 Repac D7/672
2006/0272162 A1* 12/2006 Atwater A21C 11/106
30/303

OTHER PUBLICATIONS

Slice Solutions Brownie Pan, available at <http://www.chicagometallicbakeware.com/slice-solutions-brownie-pan-407.html>, accessed on Jun. 15, 2017.

* cited by examiner

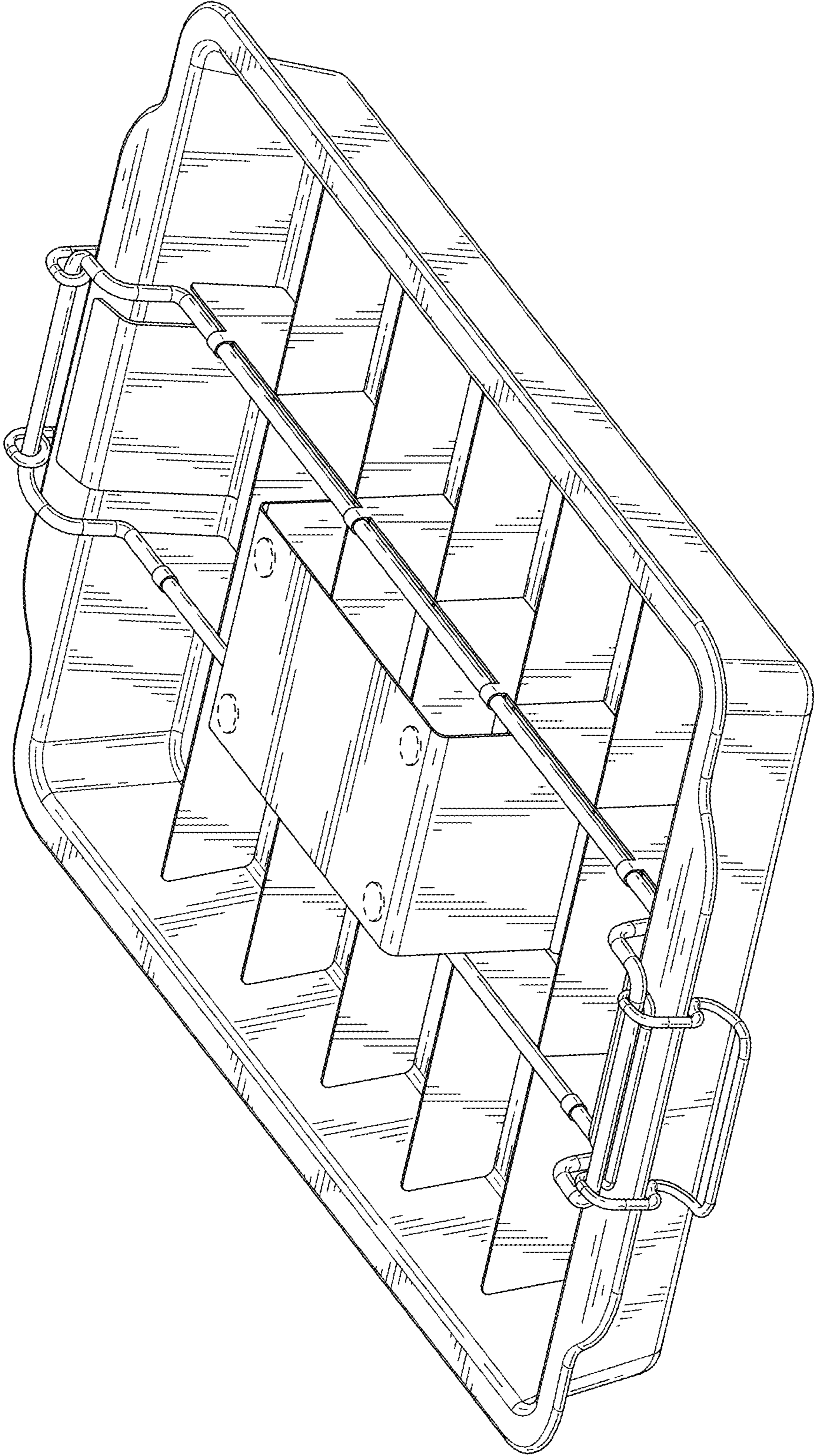


FIG. 1

FIG. 2

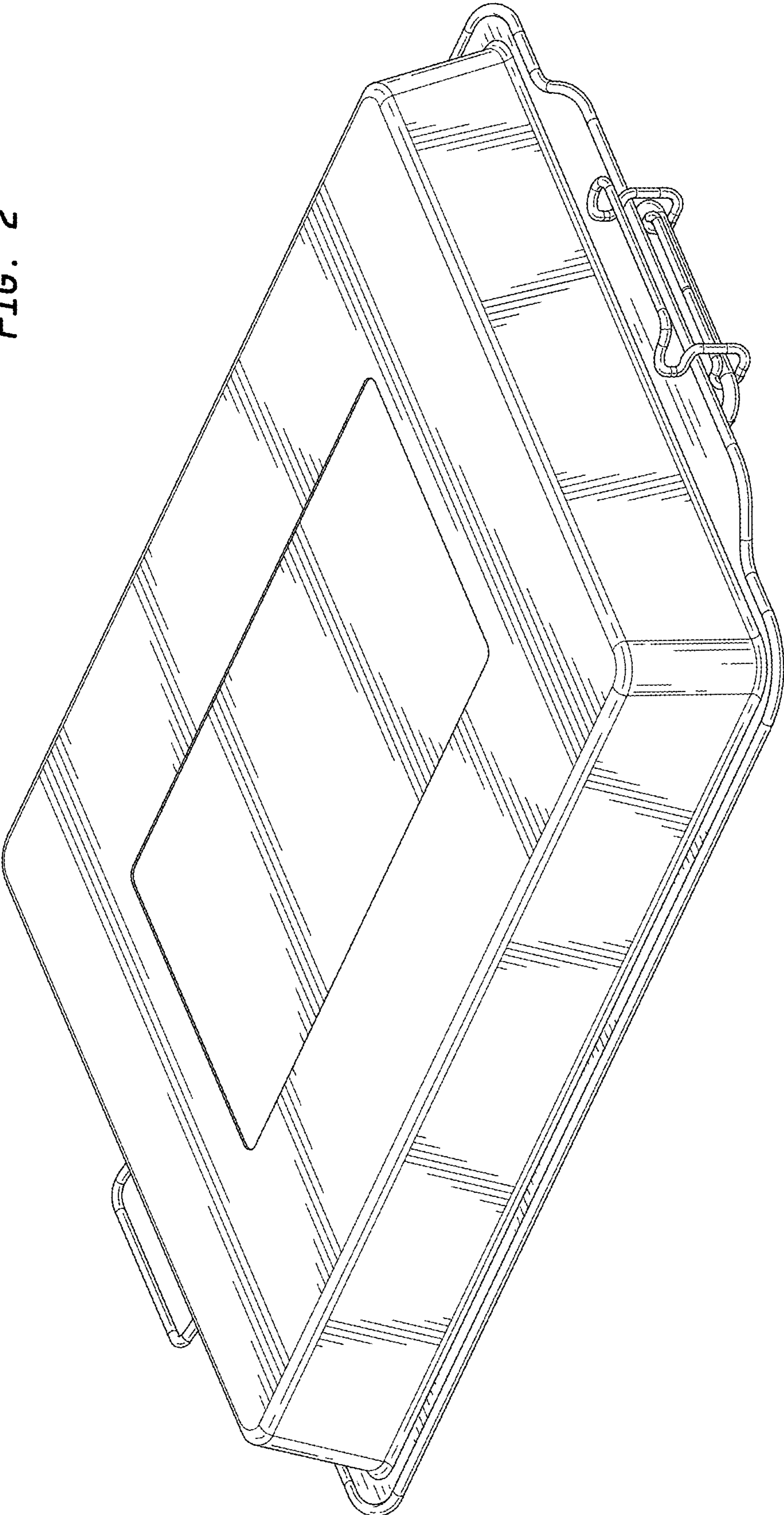


FIG. 3

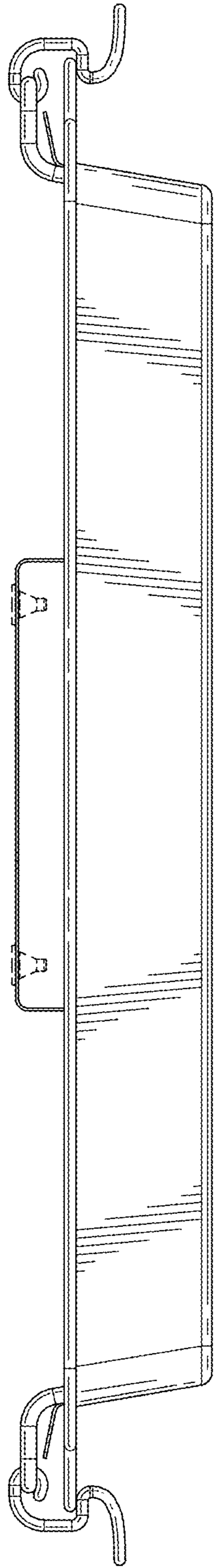


FIG. 4

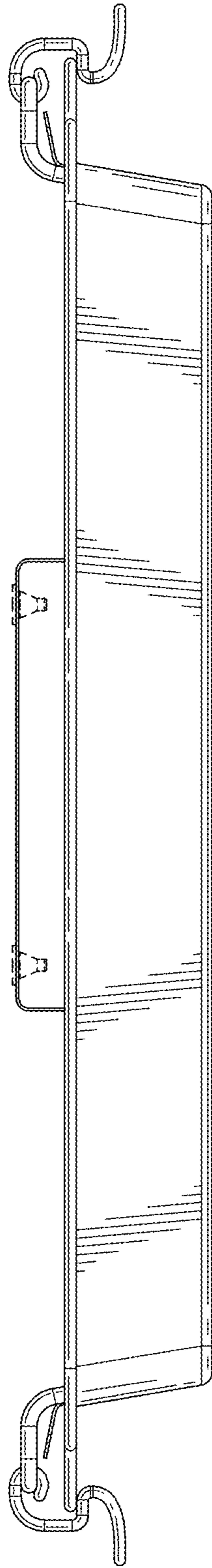


FIG. 5

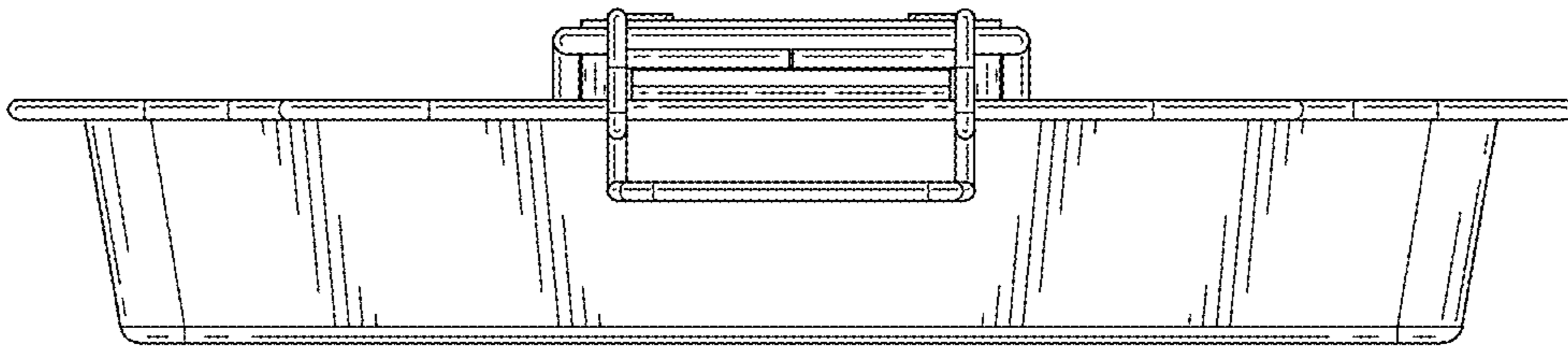


FIG. 6

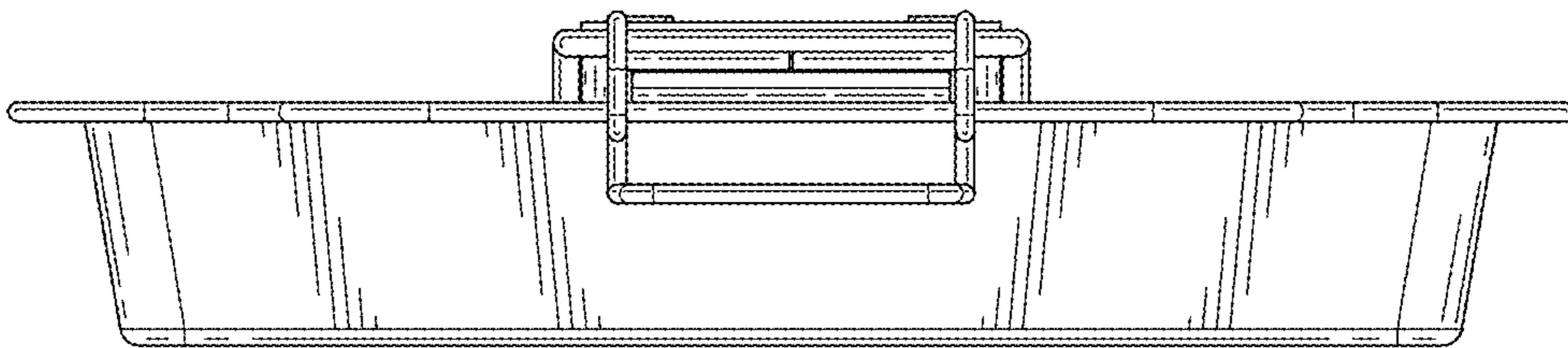


FIG. 7

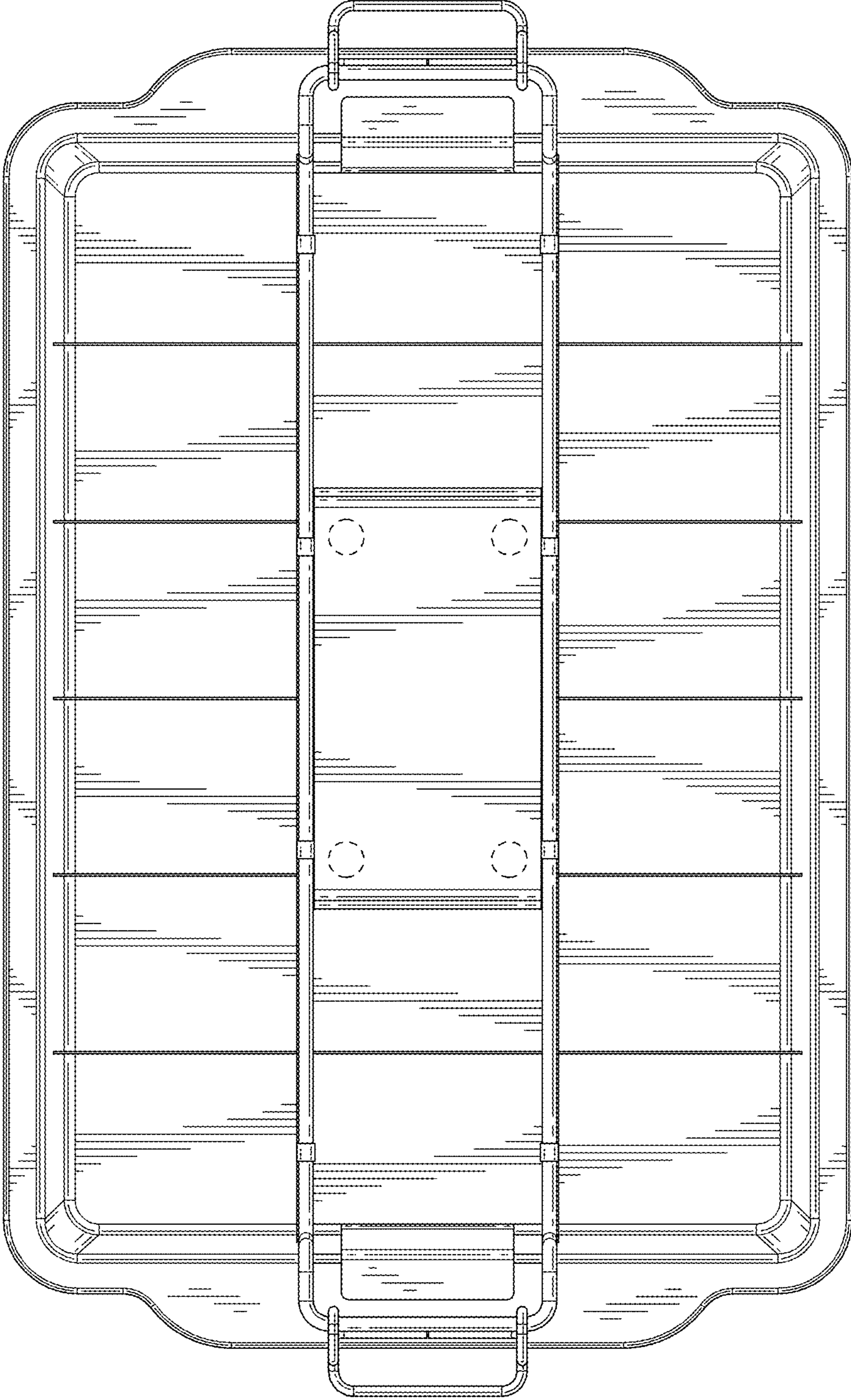


FIG. 8

