



US00D825252S

(12) **United States Design Patent**  
**Evans**

(10) **Patent No.:** **US D825,252 S**

(45) **Date of Patent:** **\*\* Aug. 14, 2018**

- (54) **COOKING UTENSIL**
- (71) Applicant: **Gareth Evans**, West Sussex (GB)
- (72) Inventor: **Gareth Evans**, West Sussex (GB)
- (73) Assignee: **S & G Trading (NW) Ltd.**, Liverpool (GB)
- (\*\*) Term: **15 Years**
- (21) Appl. No.: **29/604,870**
- (22) Filed: **May 22, 2017**
- (51) **LOC (11) Cl.** ..... **07-02**
- (52) **U.S. Cl.**  
USPC ..... **D7/352**
- (58) **Field of Classification Search**  
USPC ..... D7/323, 328-330, 337, 347, 352-364, D7/367, 402, 409-411; 99/324-326, 331, 99/339, 349, 356-357, 372-379, 424, 99/444-446; 219/386, 450.1, 472, 219/524-525, 620-622, 732-734; 220/4.21, 4.22  
CPC . A21B 5/023; A47J 27/60; A47J 27/62; A47J 37/04; A47J 37/06; A47J 37/08; A47J 37/067; A47J 37/0605; A47J 37/0611; A47J 37/0623; A47J 37/0629; A47J 37/0676; A47J 37/10; A47J 37/101; A47J 37/108; A47J 37/0704; A47J 2037/06; A47J 2037/0611; A47J 27/00; A47J 27/002; A47J 36/10; B65D 43/162; F24C 15/10; F24C 15/102; H05B 3/68; H05B 6/02; H05B 6/062; A47G 19/06; A63H 33/3055

See application file for complete search history.

(56) **References Cited**

**U.S. PATENT DOCUMENTS**

- 3,081,394 A \* 3/1963 Arel ..... A47J 37/101  
219/438
- 3,963,898 A \* 6/1976 Tuckwell ..... A47J 37/0611  
219/386

- 4,011,431 A \* 3/1977 Levin ..... A47J 37/0611  
219/386
- D247,539 S \* 3/1978 Mizoguchi ..... D7/352
- D276,971 S \* 1/1985 Potts ..... D7/352
- D663,994 S \* 7/2012 Lee ..... D7/352
- 2002/0011154 A1\* 1/2002 Lee ..... A47J 37/0611  
99/422
- 2005/0167435 A1\* 8/2005 Whitmer ..... A47J 36/10  
220/573.1

(Continued)

*Primary Examiner* — Freda S Nunn

(74) *Attorney, Agent, or Firm* — Edwin D. Schindler

(57) **CLAIM**

The ornamental design for cooking utensil, as shown and described.

**DESCRIPTION**

FIG. 1 is a top, perspective view of cooking utensil showing the cooking utensil of the present design in a closed mode, the broken lining on the top surface of the cooking utensil not being a part of the claimed design;

FIG. 2 is a front side view showing the handle of the cooking utensil of FIG. 1;

FIG. 3 is a left side view of the cooking utensil of FIG. 1, the right side being a mirror image;

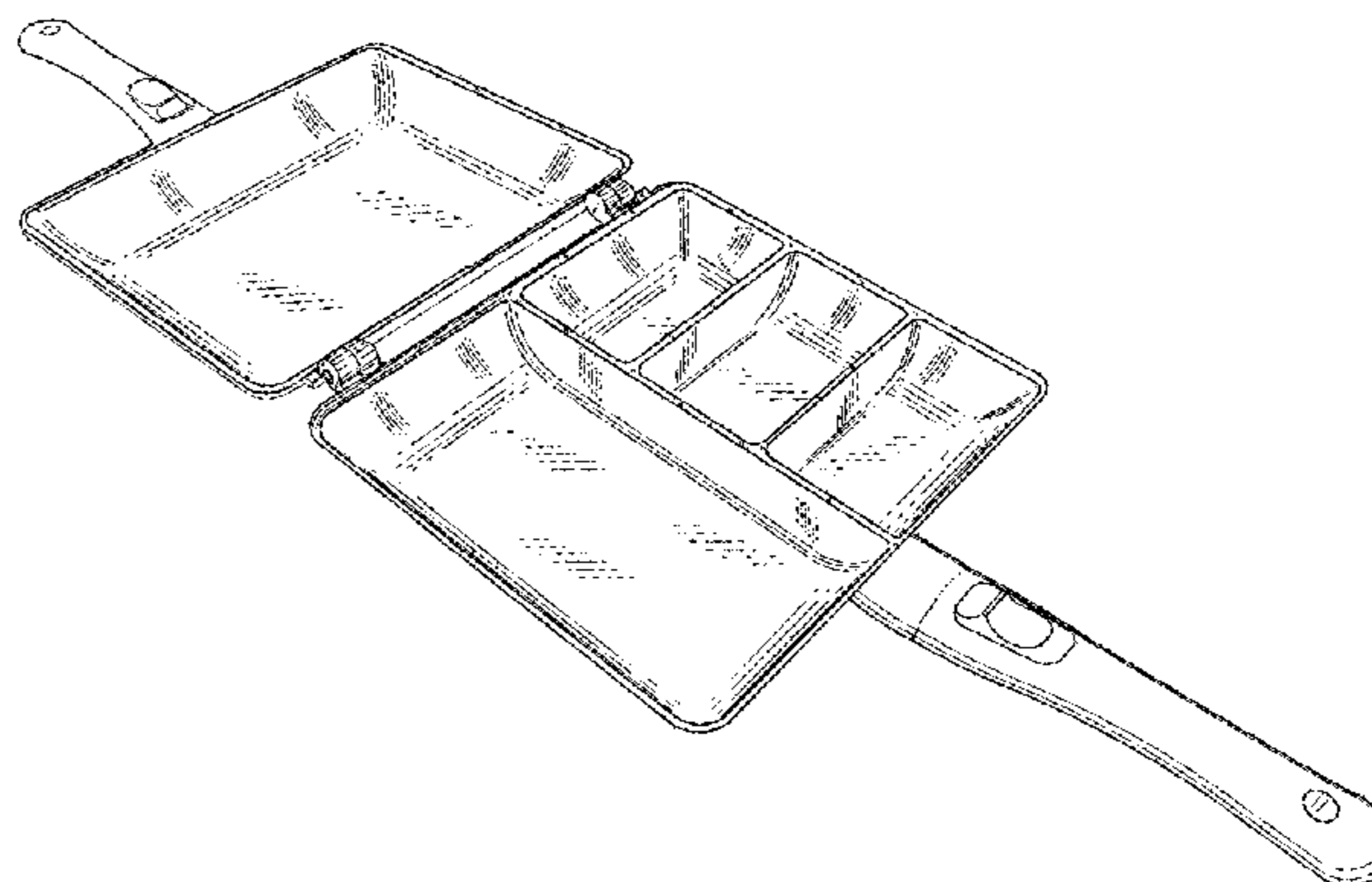
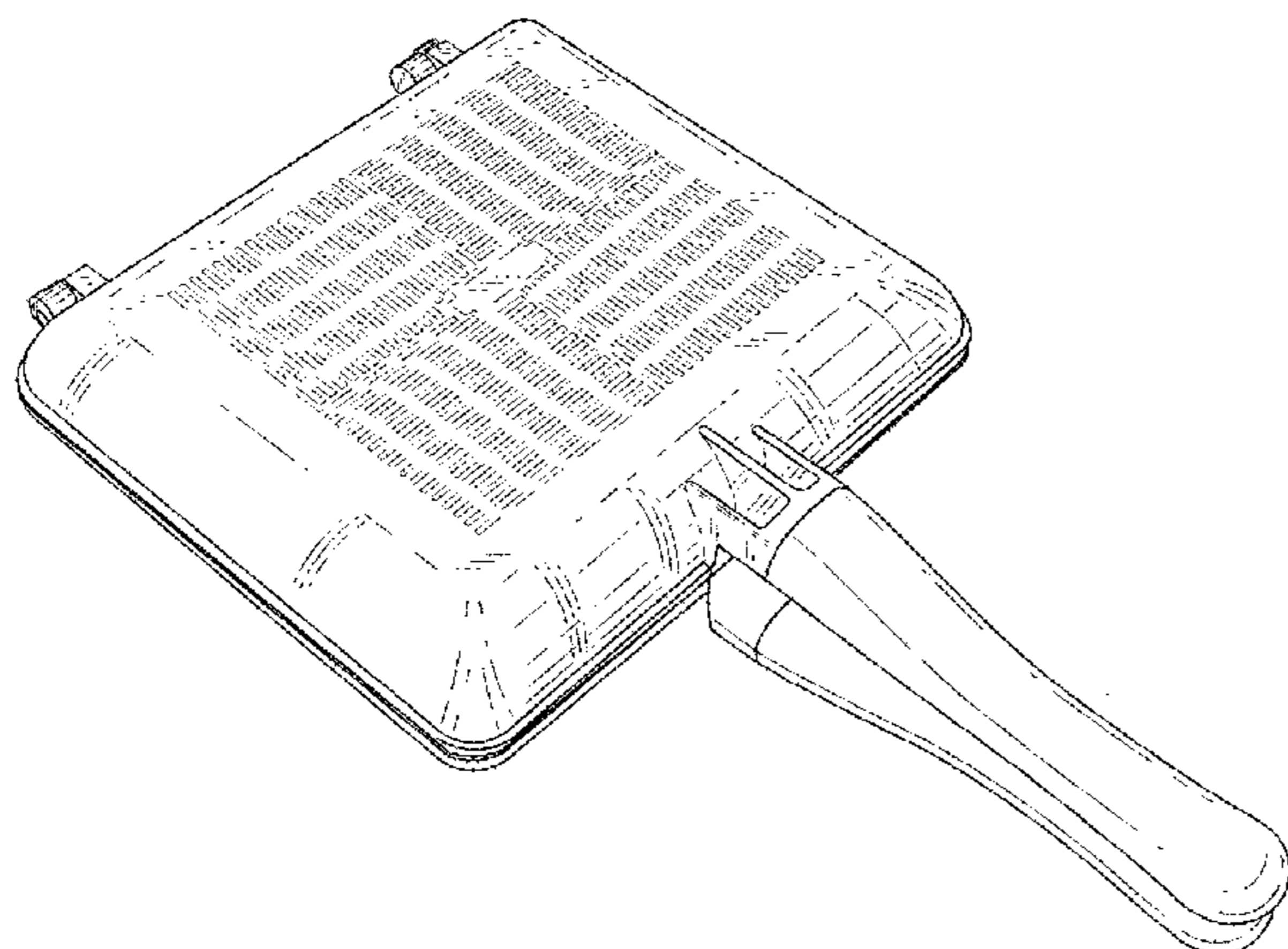
FIG. 4 is a rear side view of the cooking utensil of FIG. 1;

FIG. 5 is a bottom side view of the cooking utensil of FIG. 1, the broken lining on the bottom surface of the cooking utensil not being a part of the claimed design;

FIG. 6 is a top perspective view of the cooking utensil of FIG. 1 showing the cooking utensil in an open mode and inner surfaces of the cooking utensil; and,

FIG. 7 is a top perspective view of the cooking utensil of FIG. 1 showing the cooking utensil in the open mode with the top surface and the bottom surface shown in a detached mode.

**1 Claim, 7 Drawing Sheets**



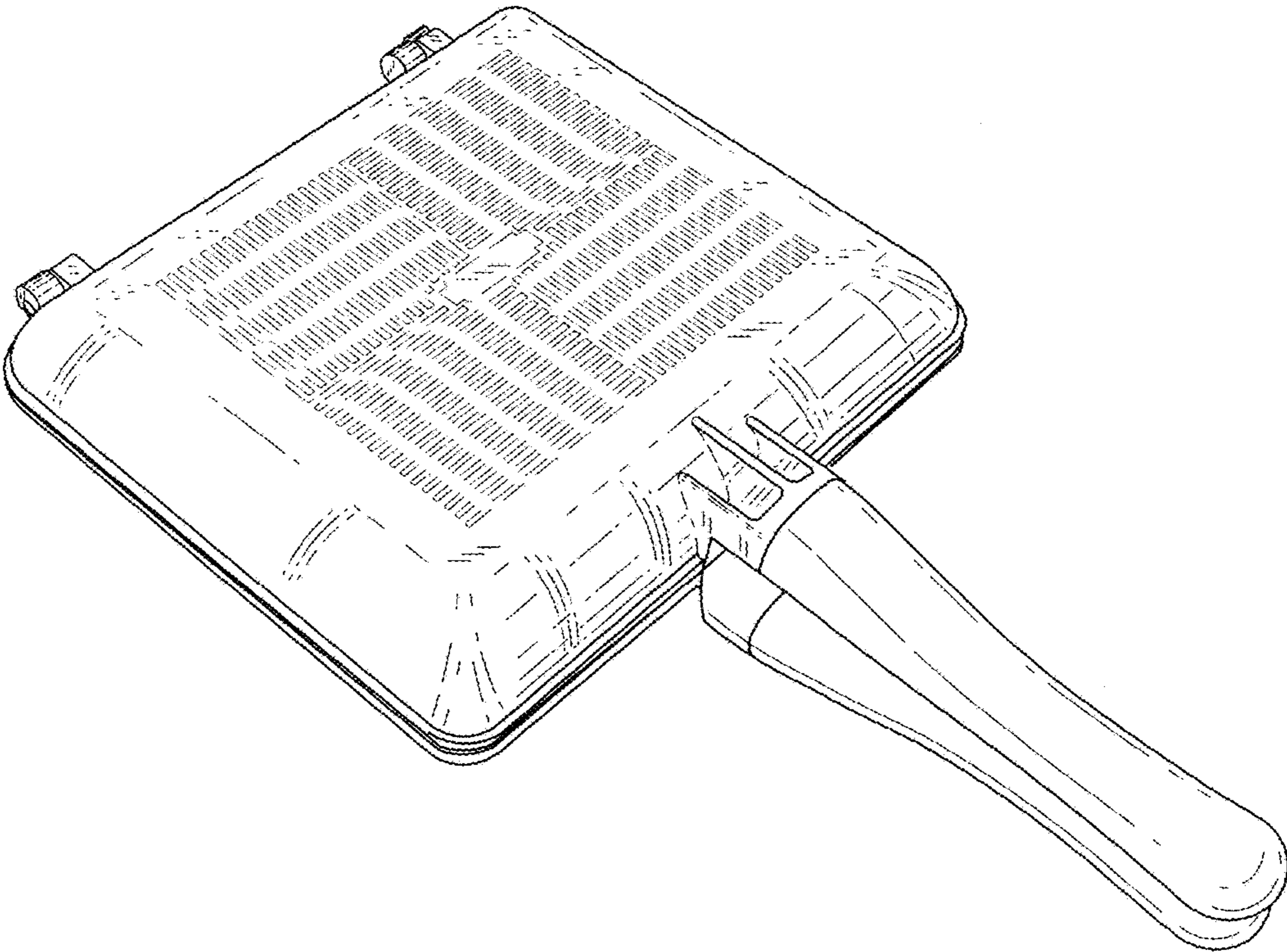
(56)

**References Cited**

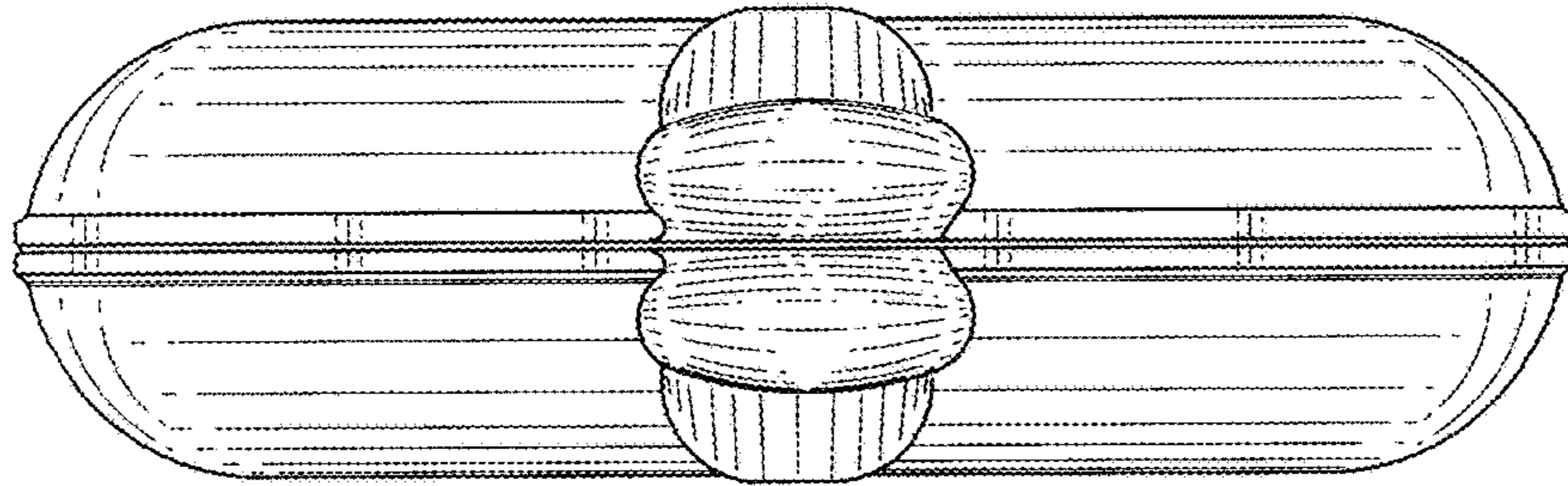
U.S. PATENT DOCUMENTS

2013/0334207 A1\* 12/2013 Park ..... A47J 27/002  
219/621  
2015/0096447 A1\* 4/2015 Lee ..... A47J 37/0611  
99/422

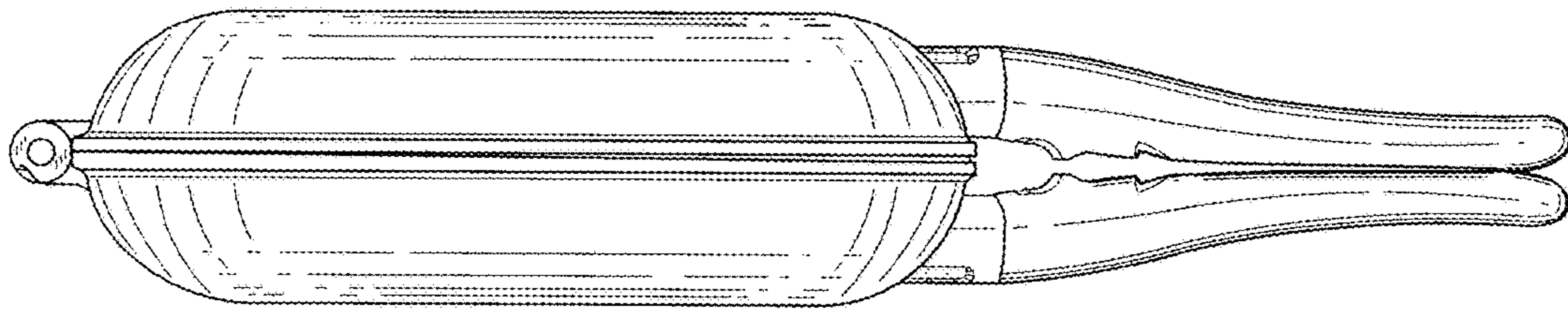
\* cited by examiner



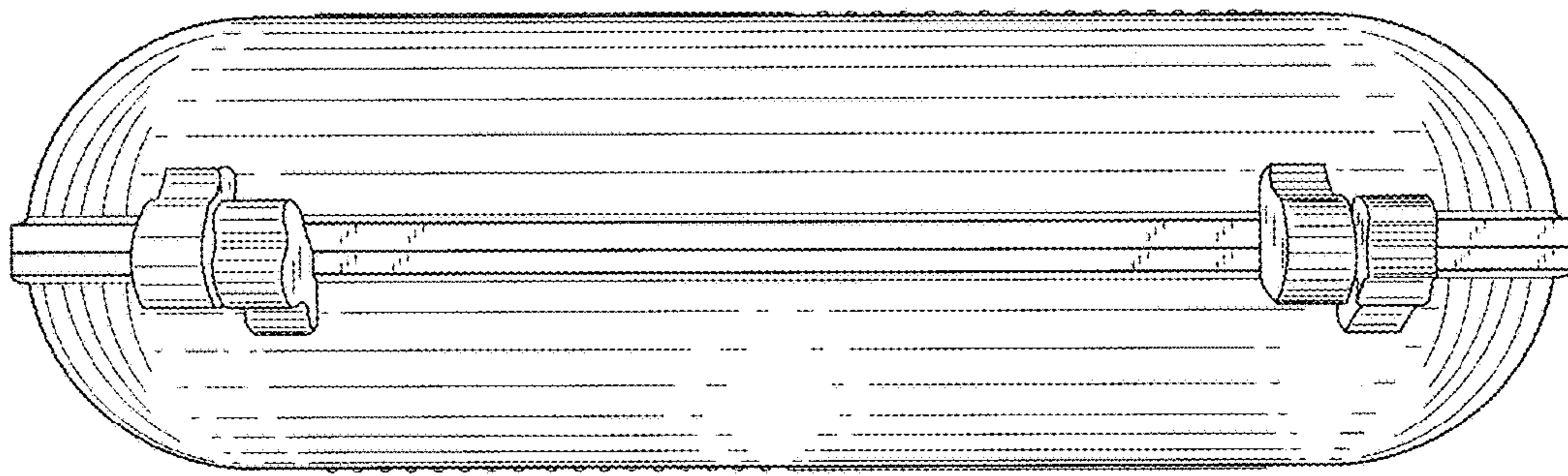
**FIG. 1**



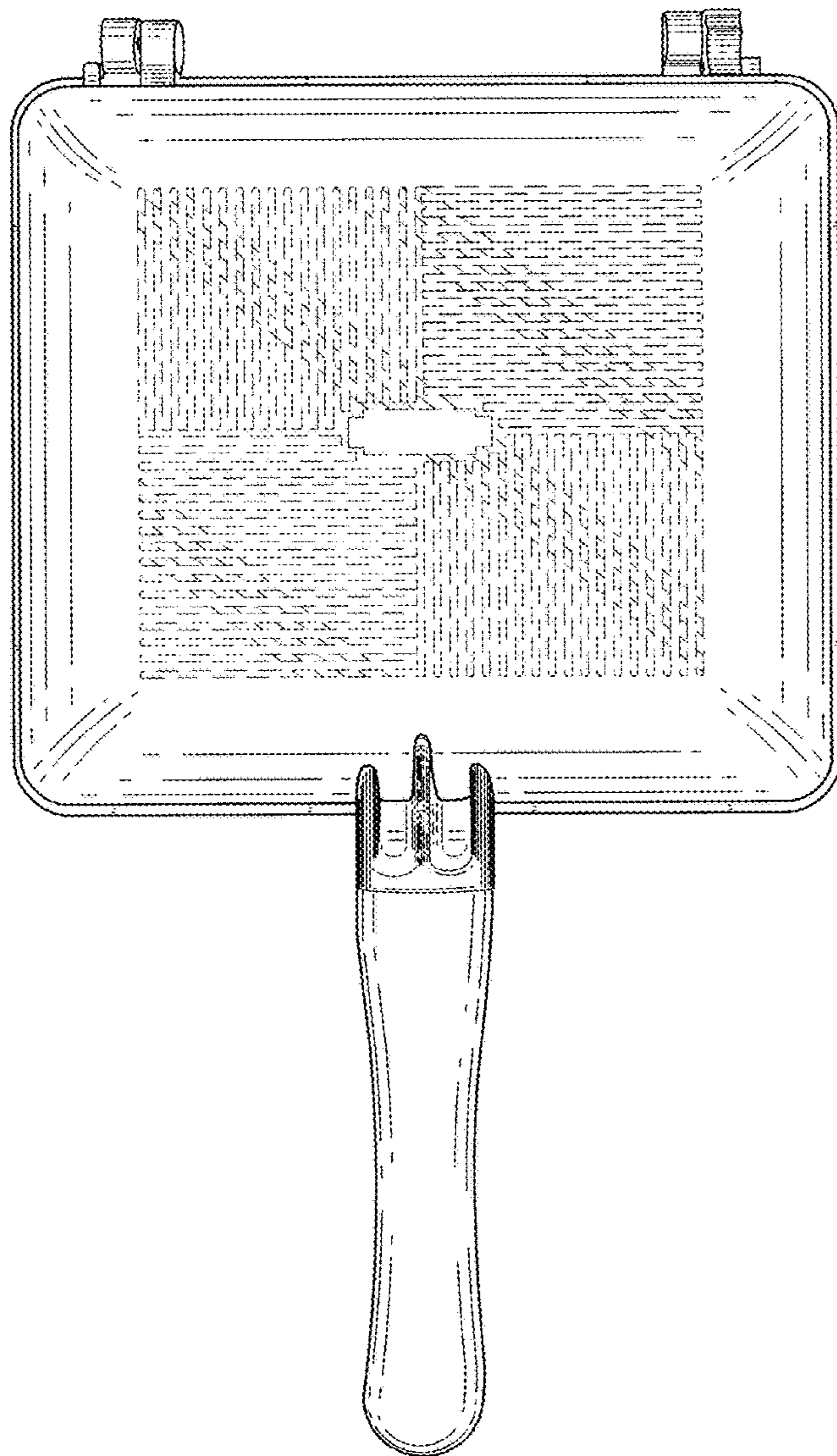
**FIG. 2**



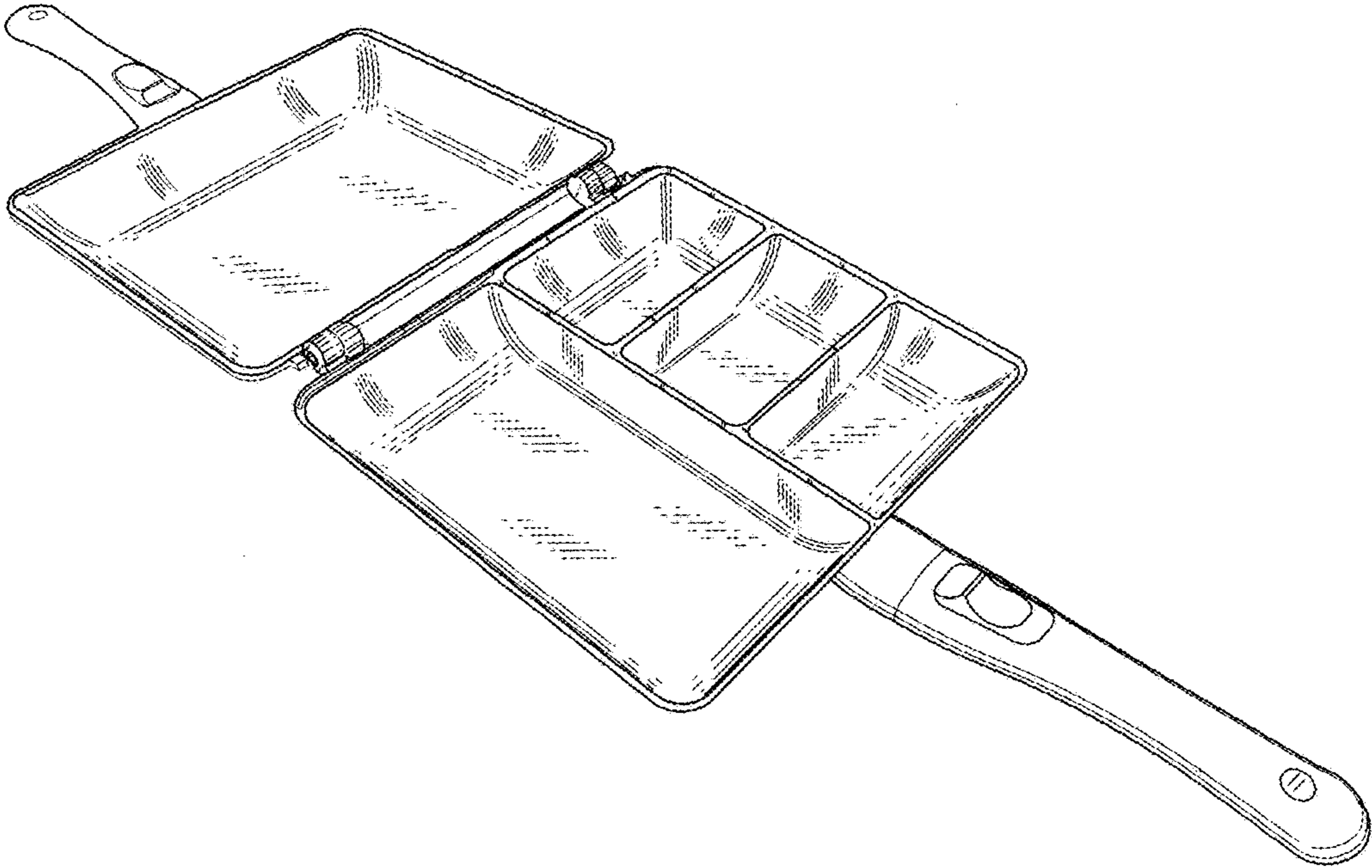
**FIG. 3**



**FIG. 4**

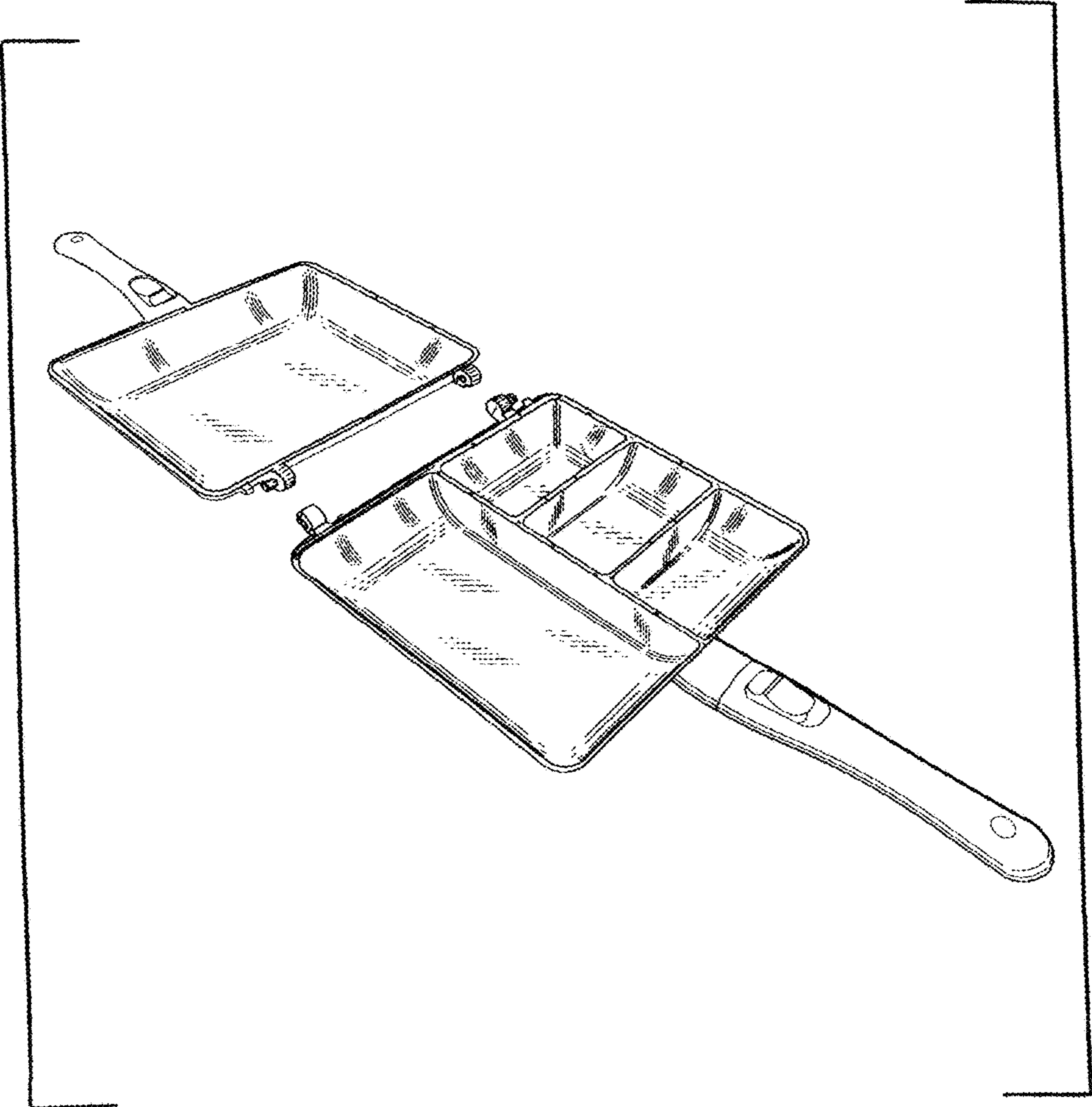


**FIG. 5**



**FIG. 6**





**FIG. 7**