



US00D825251S

(12) **United States Design Patent**
Schrepfer

(10) **Patent No.:** **US D825,251 S**

(45) **Date of Patent:** **** Aug. 14, 2018**

(54) **GRILL**
(71) Applicant: **OTTO WILDE GRILLERS GMBH**,
Düsseldorf (DE)
(72) Inventor: **Christian Schrepfer**, Vienna (AT)
(**) Term: **15 Years**
(21) Appl. No.: **35/501,591**

(22) Filed: **Mar. 18, 2016**

(80) **Hague Agreement Data**

Int. Filing Date: **Mar. 18, 2016**

Int. Reg. No.: **DM/090135**

Int. Reg. Date: **Mar. 18, 2016**

Int. Reg. Pub. Date: **Sep. 23, 2016**

(51) **LOC (11) Cl.** **07-02**

(52) **U.S. Cl.**
USPC **D7/350.1**

(58) **Field of Classification Search**

USPC D7/402, 405, 351, 323, 338, 346, 347,
D7/349, 348, 350.1; 219/678; D8/303,
D8/308

CPC H05B 6/763; H05B 6/6414; H05B 6/6408;
Y02B 40/14; Y02B 40/143; Y02B
40/146; F24C 15/02; F24C 1/00; F24C
14/00; F24C 3/00; F24C 5/00; F24C
7/00; A47J 37/00; A47J 37/06; A47J
37/0611; A47J 37/08; A47J 37/0807;
A47J 37/0814; A47J 37/0835; A47J
37/085; A47J 37/0864; A47J 37/0878;
A47J 37/0885; A47J 37/0892

See application file for complete search history.

(56) **References Cited**

U.S. PATENT DOCUMENTS

D167,122 S * 6/1952 Steinbook D7/350.1
3,845,272 A * 10/1974 Schultz A47J 37/0878
126/335

D237,242 S * 10/1975 Claxton et al. 99/391
D304,147 S * 10/1989 Takada D7/350.4
D380,338 S * 7/1997 Carbone D7/328
D393,395 S * 4/1998 Tanaka D7/350.1
D412,637 S * 8/1999 Piret D7/350.4
D437,178 S * 2/2001 Tanaka D7/350.4
D439,467 S * 3/2001 Hsu D7/350.4
D461,091 S * 8/2002 Chen D7/350.4
D466,757 S * 12/2002 Hsu D7/350.1
6,960,742 B2 * 11/2005 Wei F24C 15/007
126/19 R
D532,644 S * 11/2006 Ball D7/350.1
D533,390 S * 12/2006 Ball D7/350.1
D583,184 S * 12/2008 Delong D7/329
D585,235 S * 1/2009 Tetreault D7/350.1
D614,906 S * 5/2010 Fiorotto D7/350.1
D639,104 S * 6/2011 Duncan D7/350.1
D655,125 S * 3/2012 Turner D7/328
D673,000 S * 12/2012 De' Longhi D7/350.1
D678,711 S * 3/2013 Reiner D7/350.1
D693,166 S * 11/2013 Measom D7/350.1
D723,323 S * 3/2015 Carlson D7/350.1

(Continued)

Primary Examiner — Mary Ann Calabrese

Assistant Examiner — Jennifer L Rempfer

(57) **CLAIM**

The ornamental design for a grill, as shown and described.

DESCRIPTION

1.1 is a first perspective view of a grill showing my new design;

1.2 is a second perspective view thereof;

1.3 is a front view thereof;

1.4 is a back view thereof;

1.5 is a top view thereof;

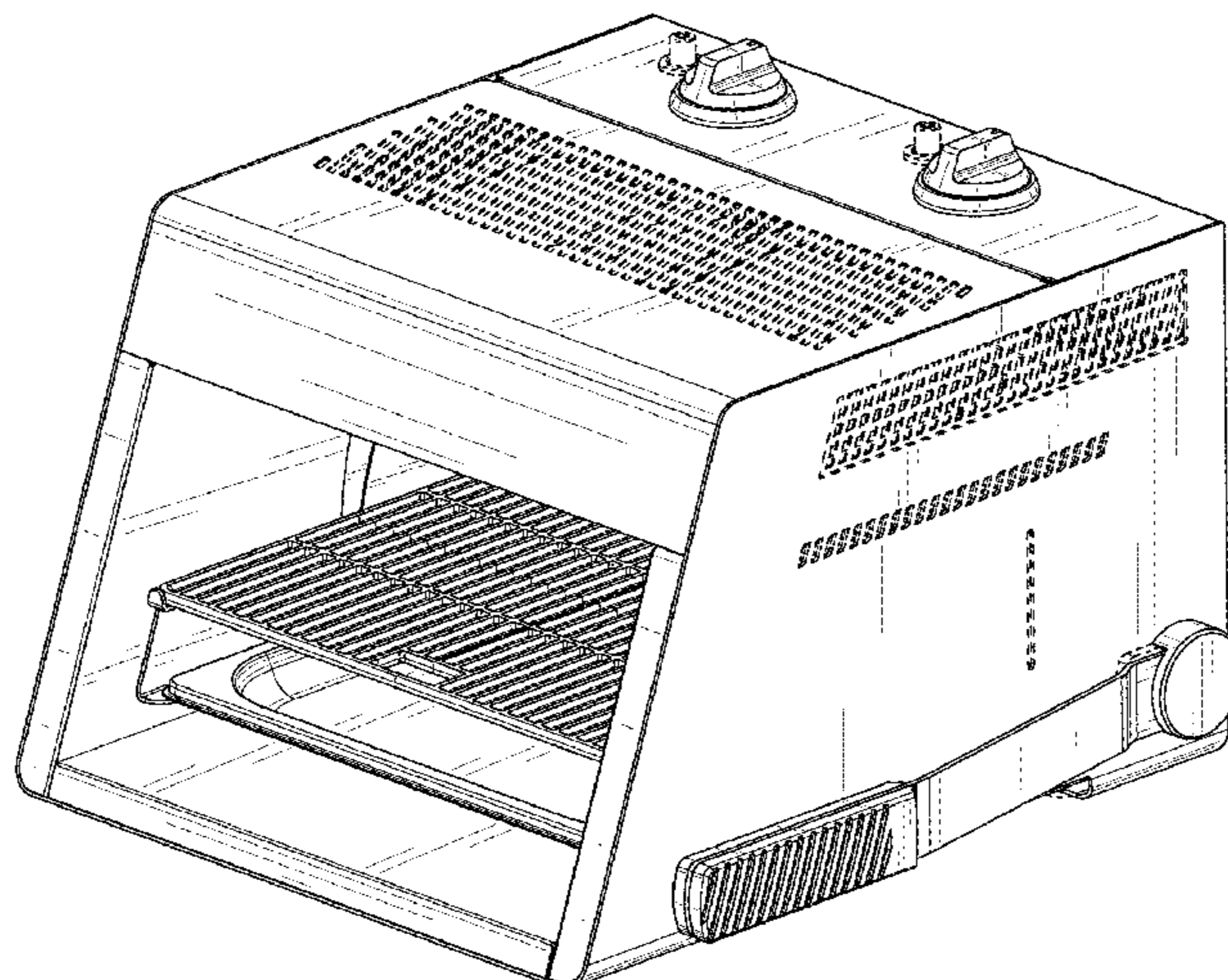
1.6 is a bottom view thereof;

1.7 is a left view thereof;

1.8 is a right view thereof.

The broken lines showing various regions and features, including the unshaded areas therein, are for illustrative purposes only and form no part of the claimed design.

1 Claim, 8 Drawing Sheets



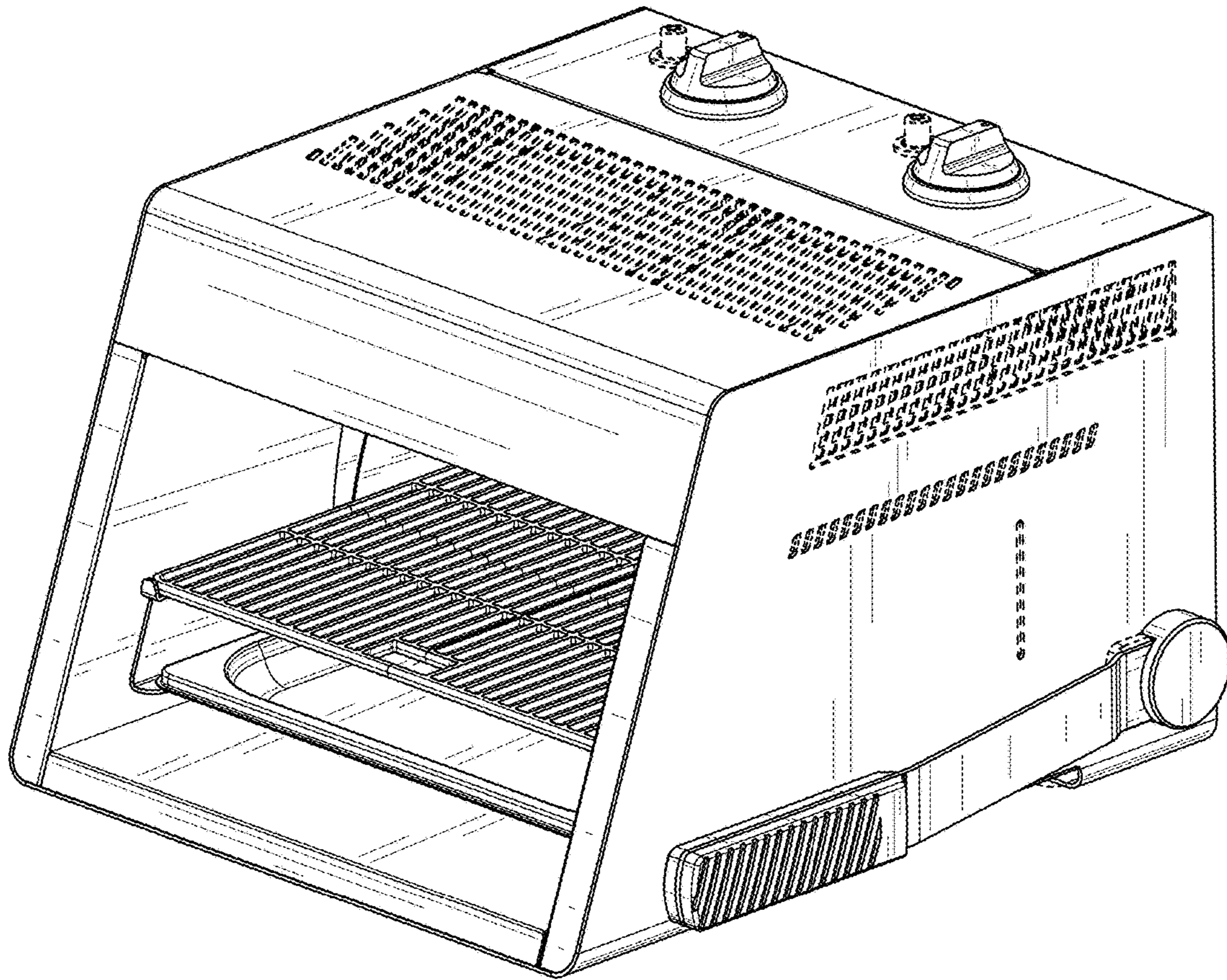
(56)

References Cited

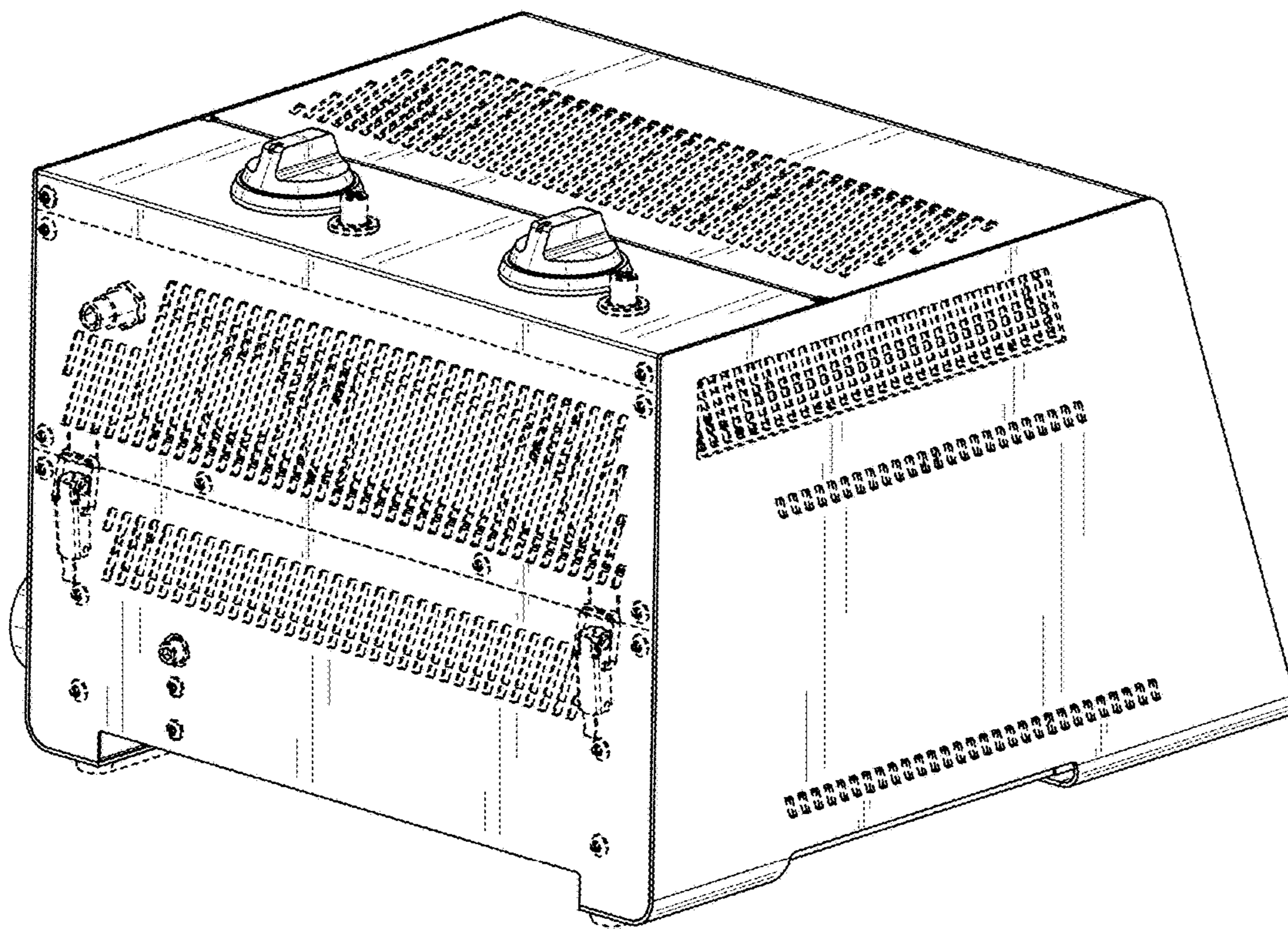
U.S. PATENT DOCUMENTS

D770,841 S * 11/2016 Affatato D7/350.1
D771,996 S * 11/2016 Bhogal D7/350.1
D781,635 S * 3/2017 Koszylko D7/348
D782,864 S * 4/2017 Bhogal D7/350.1
D788,514 S * 6/2017 Bock D7/329

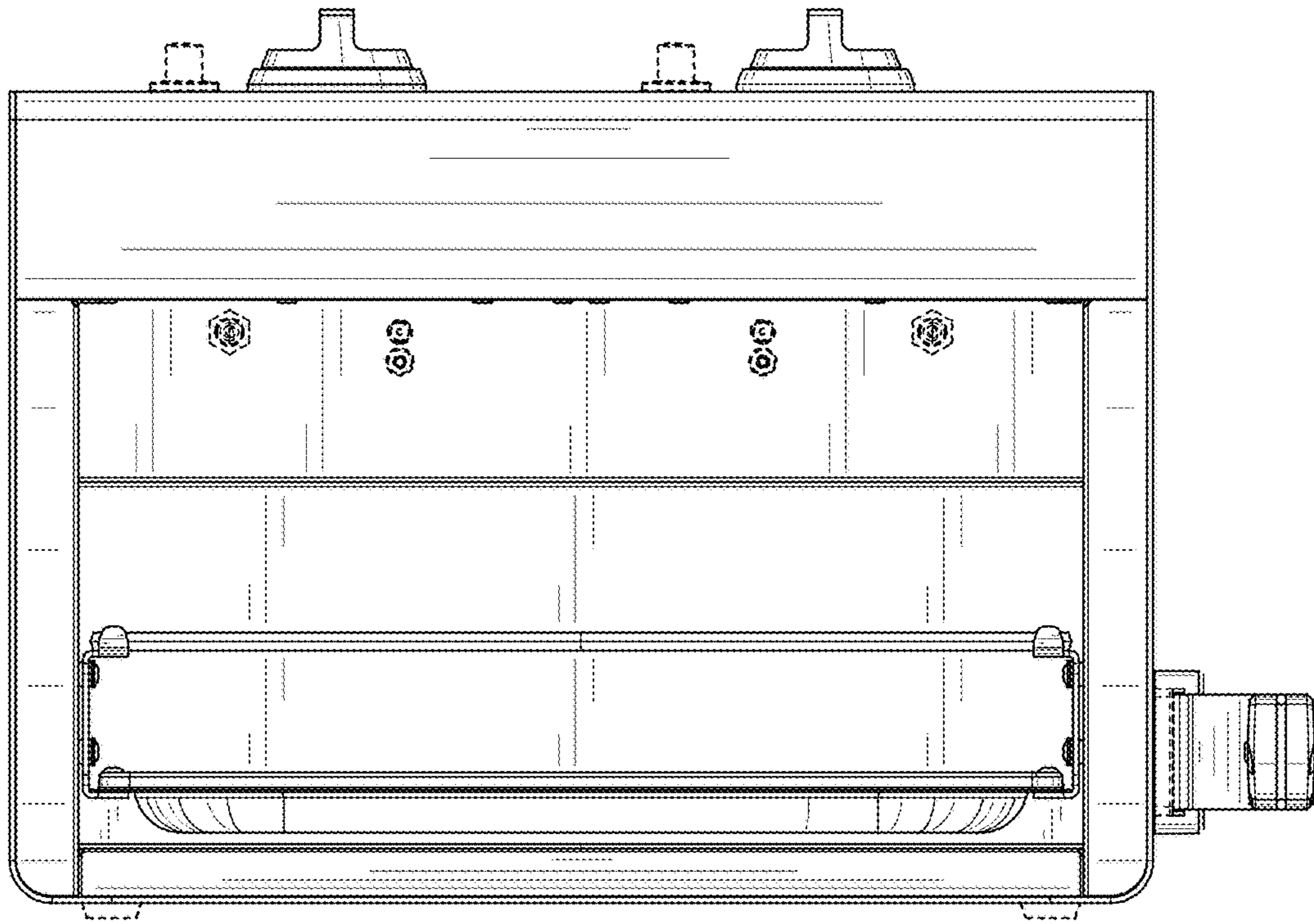
* cited by examiner



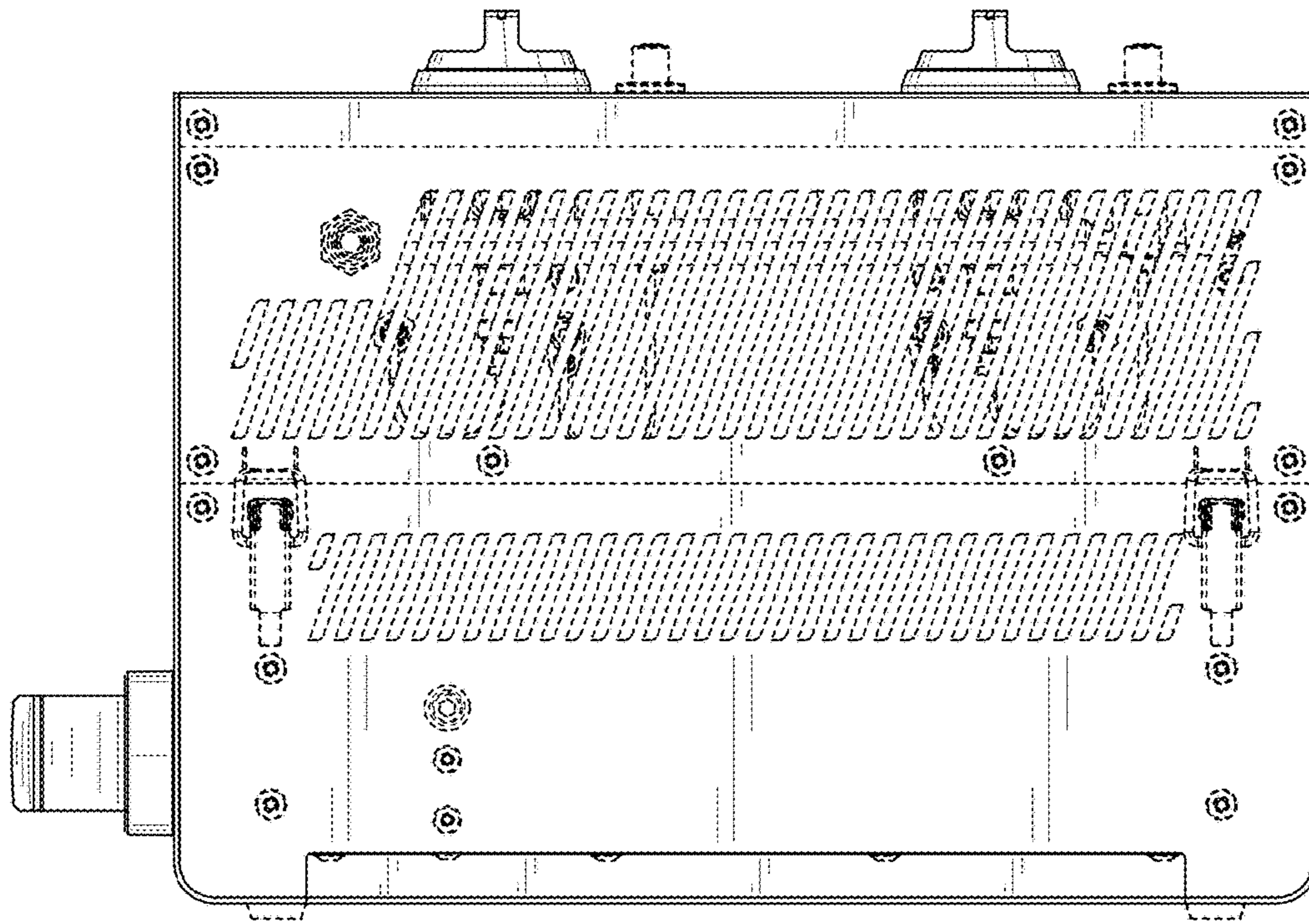
1.1



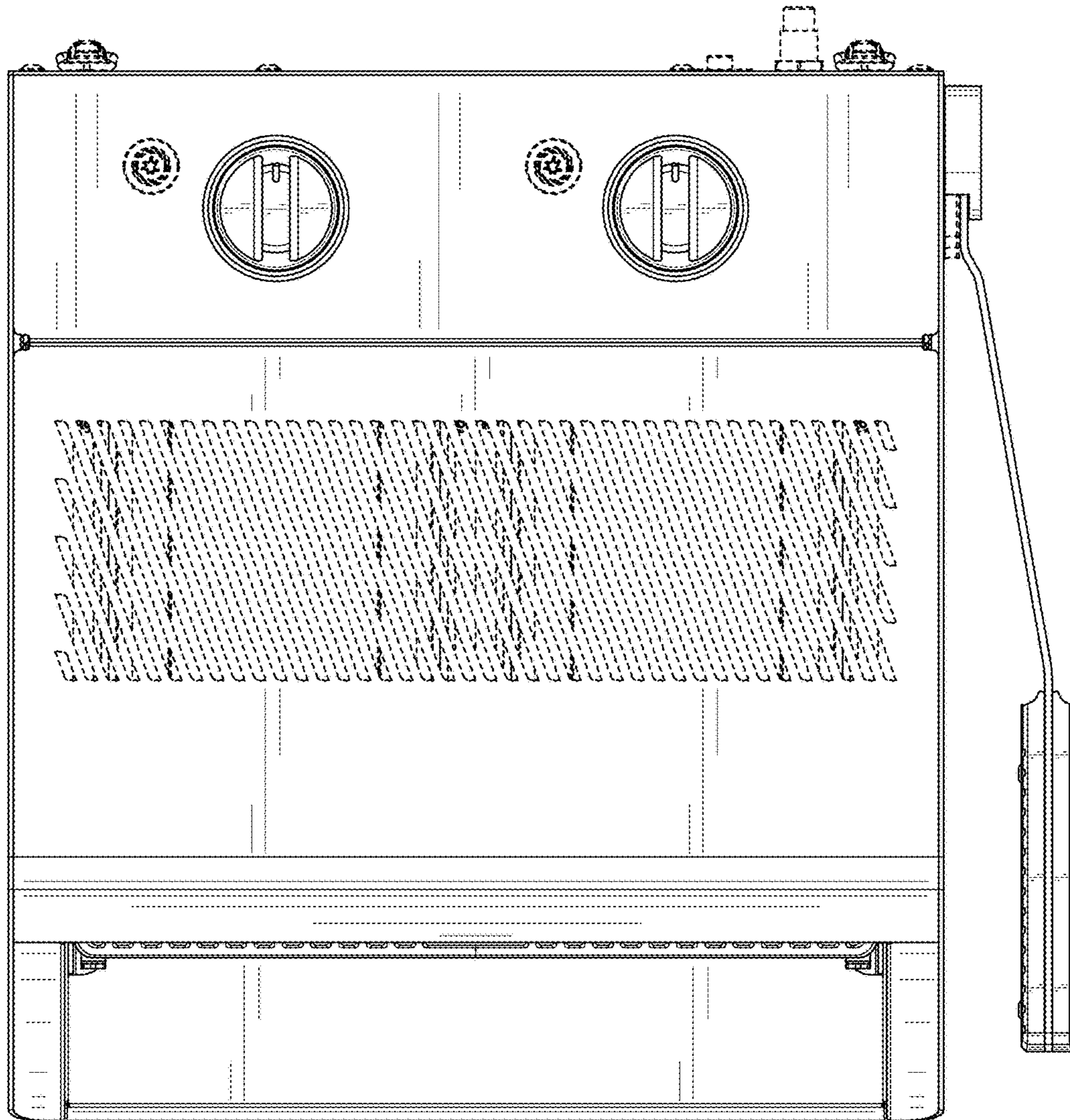
1.2



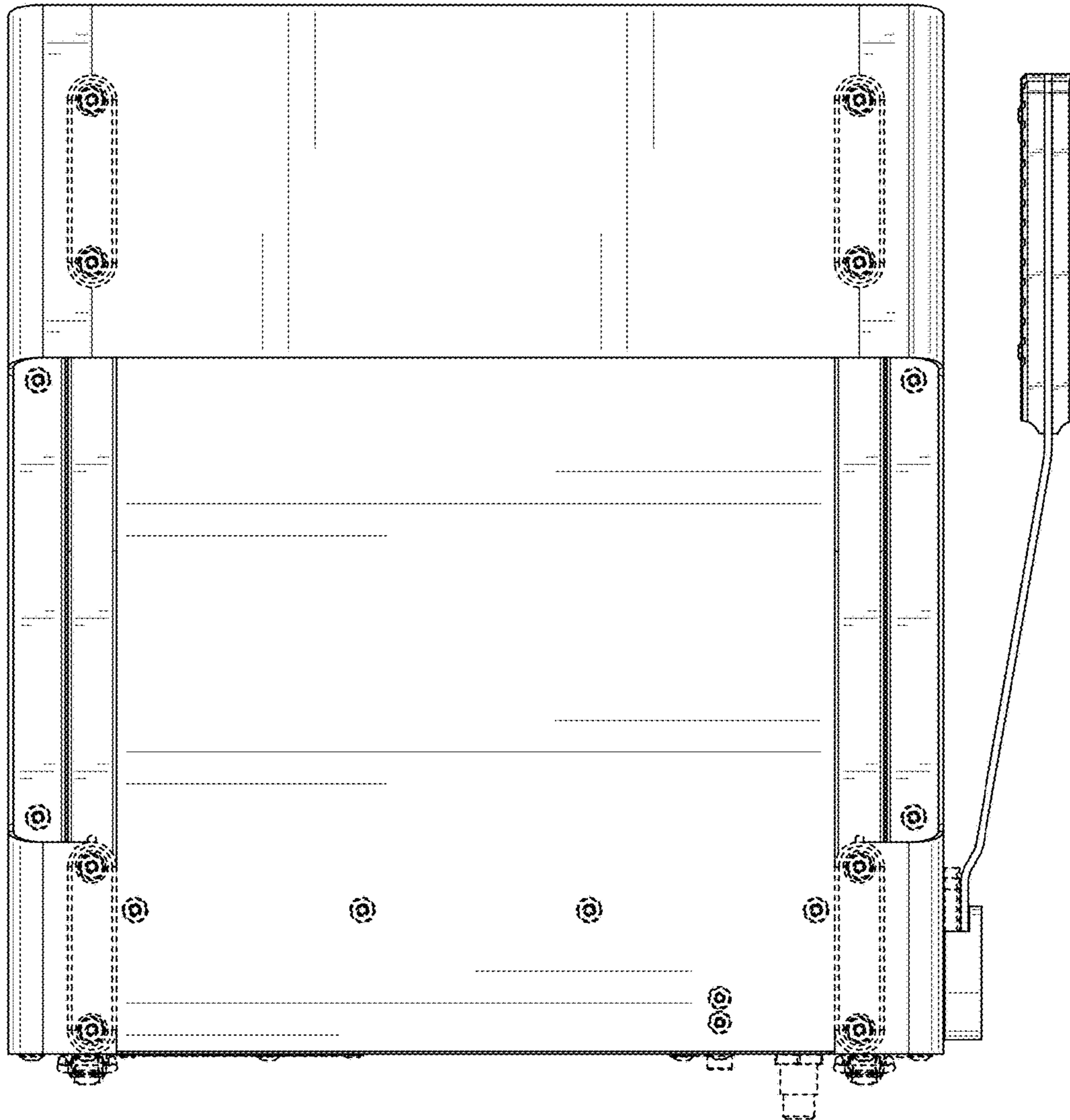
1.3



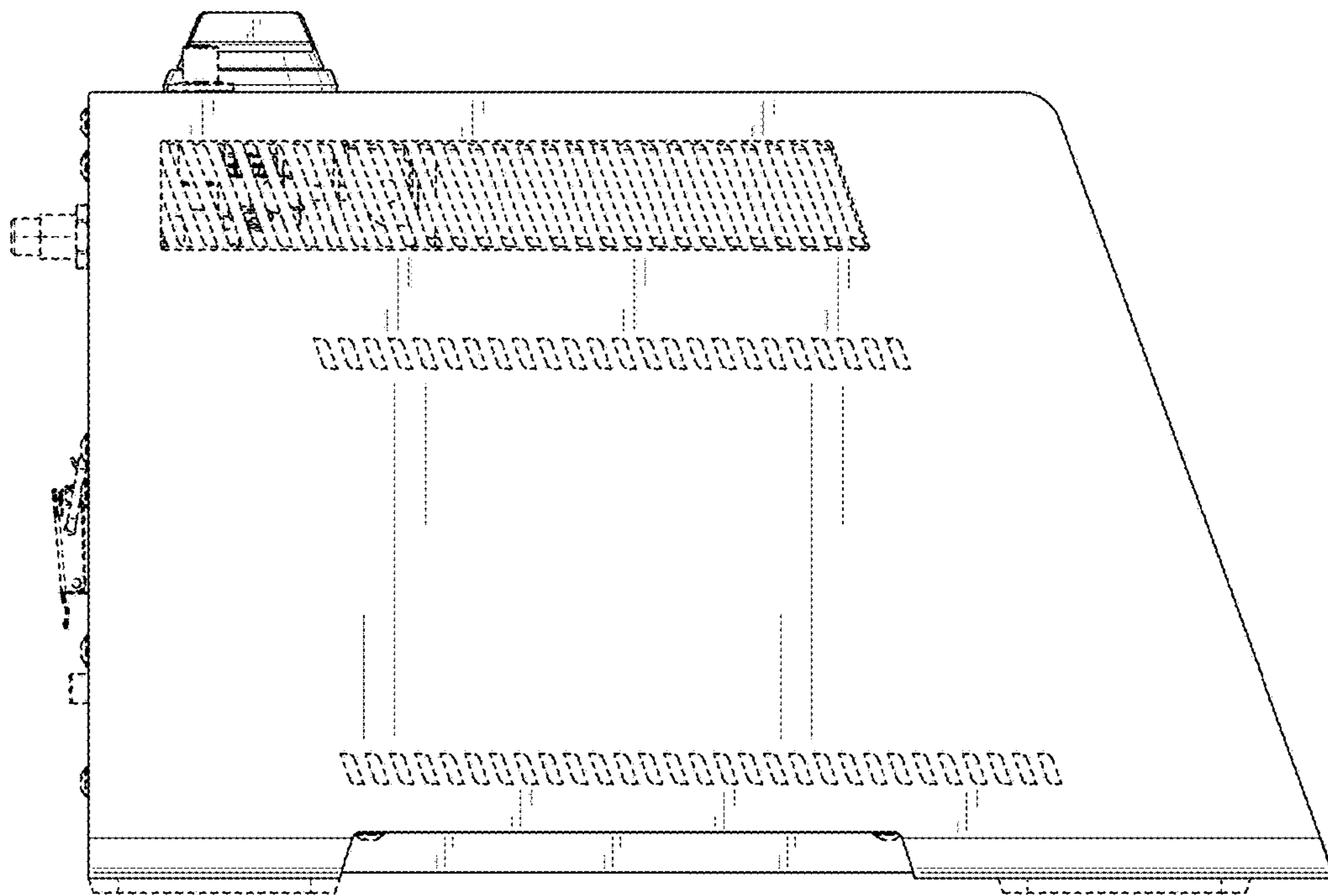
1.4



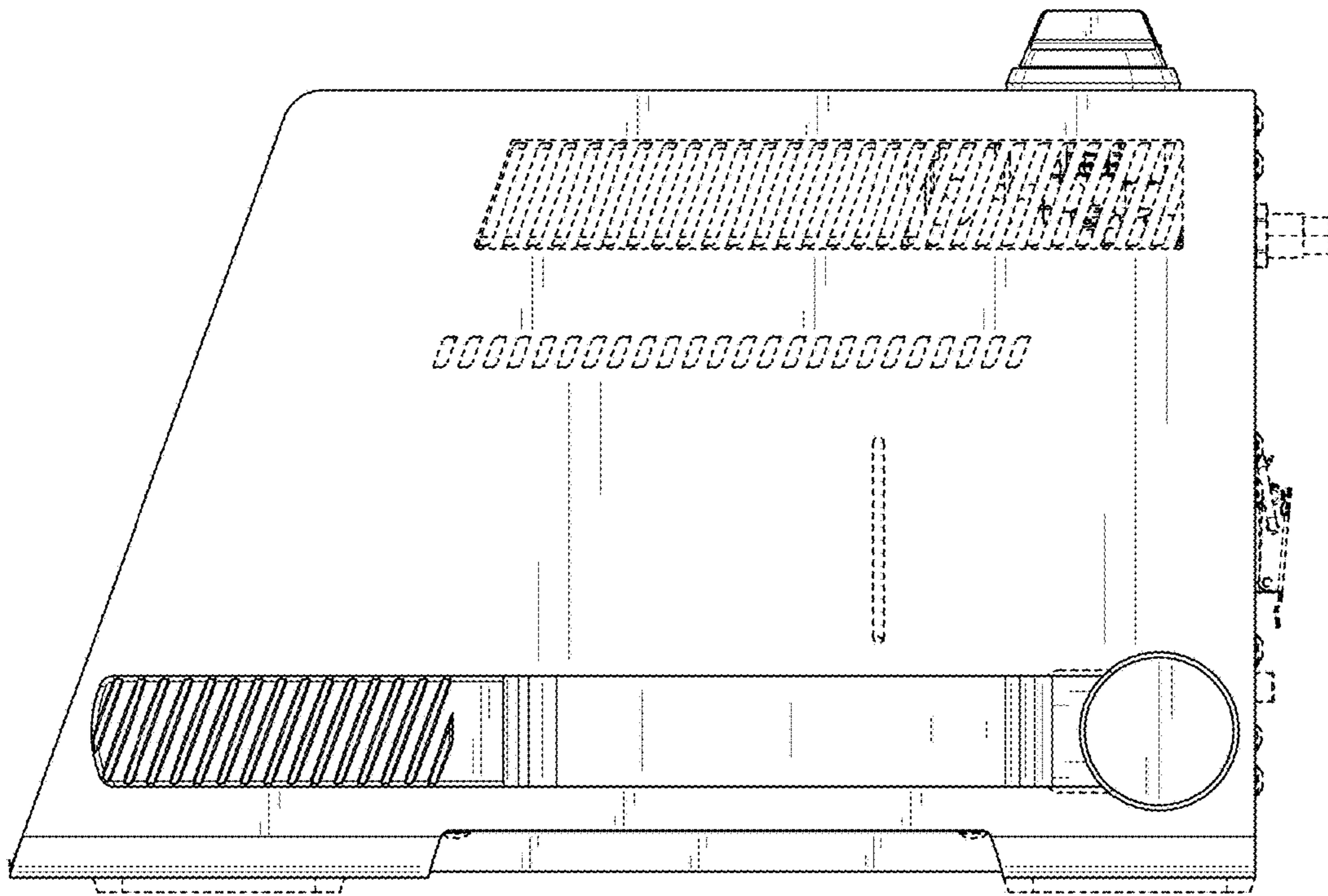
1.5



1.6



1.7



1.8