

US00D825249S

(12) **United States Design Patent** (10) **Patent No.:** **US D825,249 S**
Kang et al. (45) **Date of Patent:** **** Aug. 14, 2018**

(54) **GAS OVEN RANGE**
(71) Applicant: **Samsung Electronics Co., Ltd.**,
Suwon-si (KR)
(72) Inventors: **Jichang Kang**, Seoul (KR); **Jaejun Kim**, Seoul (KR); **Hyeongju Seo**, Seoul (KR); **Jongsu Jeon**, Seongnam-si (KR); **Hwanwoong Choi**, Seoul (KR)
(73) Assignee: **SAMSUNG ELECTRONICS CO., LTD.**, Gyeonggi-Do (KR)

D656,776 S * 4/2012 Funnell, II D7/340
D669,728 S * 10/2012 Funnell, II D7/340
9,072,403 B2 * 7/2015 Braden A47J 37/108
D742,688 S * 11/2015 Funnell, II D7/405
D750,432 S * 3/2016 Funnell, II D7/406
9,631,817 B2 * 4/2017 Cadima F24C 1/06
2010/0186603 A1 * 7/2010 Bowles A47J 37/067
99/422
2012/0111312 A1 * 5/2012 Kim F24C 15/10
126/214 C
2014/0261009 A1 * 9/2014 Bringe A47J 37/067
99/340

(**) Term: **15 Years**
(21) Appl. No.: **29/607,277**
(22) Filed: **Jun. 12, 2017**

FOREIGN PATENT DOCUMENTS
KR 300608756 S 8/2011
KR 300664090 S 10/2012
KR 300810740 S 8/2015

(30) **Foreign Application Priority Data**
Dec. 28, 2016 (KR) 30-2016-0063813
(51) **LOC (11) Cl.** **07-02**
(52) **U.S. Cl.**
USPC **D7/340**
(58) **Field of Classification Search**
USPC D7/339-341, 344, 346-349, 352, 362,
D7/363, 402, 405-409; D8/311, 312,
D8/315, 316; 99/324, 325, 330-339, 342,
99/403
See application file for complete search history.

* cited by examiner
Primary Examiner — Freda S Nunn
(74) *Attorney, Agent, or Firm* — Cantor Colburn LLP

(56) **References Cited**
U.S. PATENT DOCUMENTS
D486,349 S * 2/2004 Nichols D7/340
D524,094 S * 7/2006 Home D7/340
D605,456 S * 12/2009 Bengtson D7/340
D615,800 S * 5/2010 Grey D7/340

(57) **CLAIM**
The ornamental design for a gas oven range, as shown and described.

DESCRIPTION
FIG. 1 is a front perspective view of a gas oven range showing our new design;
FIG. 2 is a front view thereof;
FIG. 3 is a rear view thereof;
FIG. 4 is a left-side view thereof;
FIG. 5 is a right-side view thereof;
FIG. 6 is a top view thereof; and,
FIG. 7 is a bottom view thereof.
The broken lines illustrating portions of the gas oven range form no part of the claimed design.

1 Claim, 7 Drawing Sheets

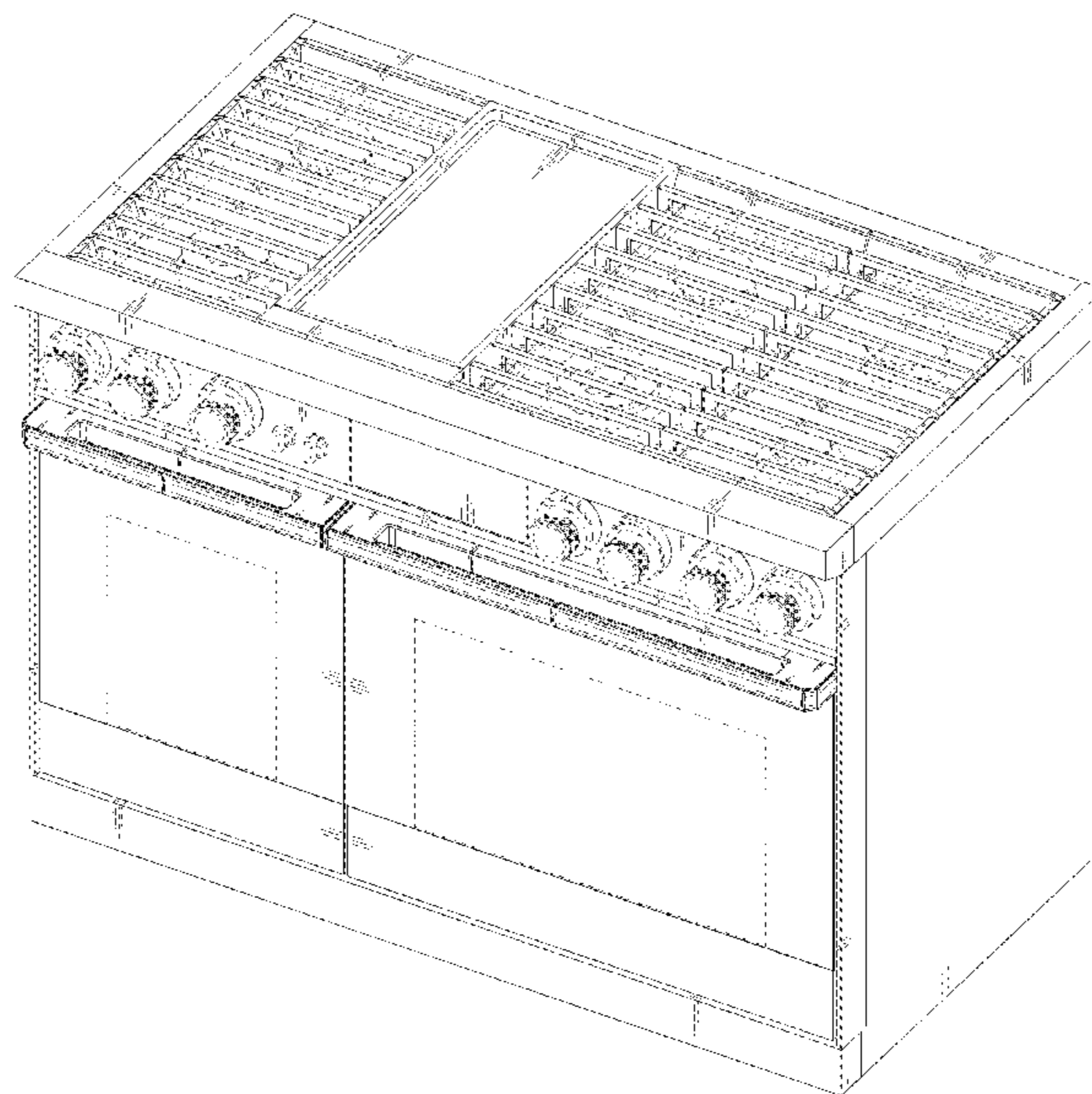


FIG. 1

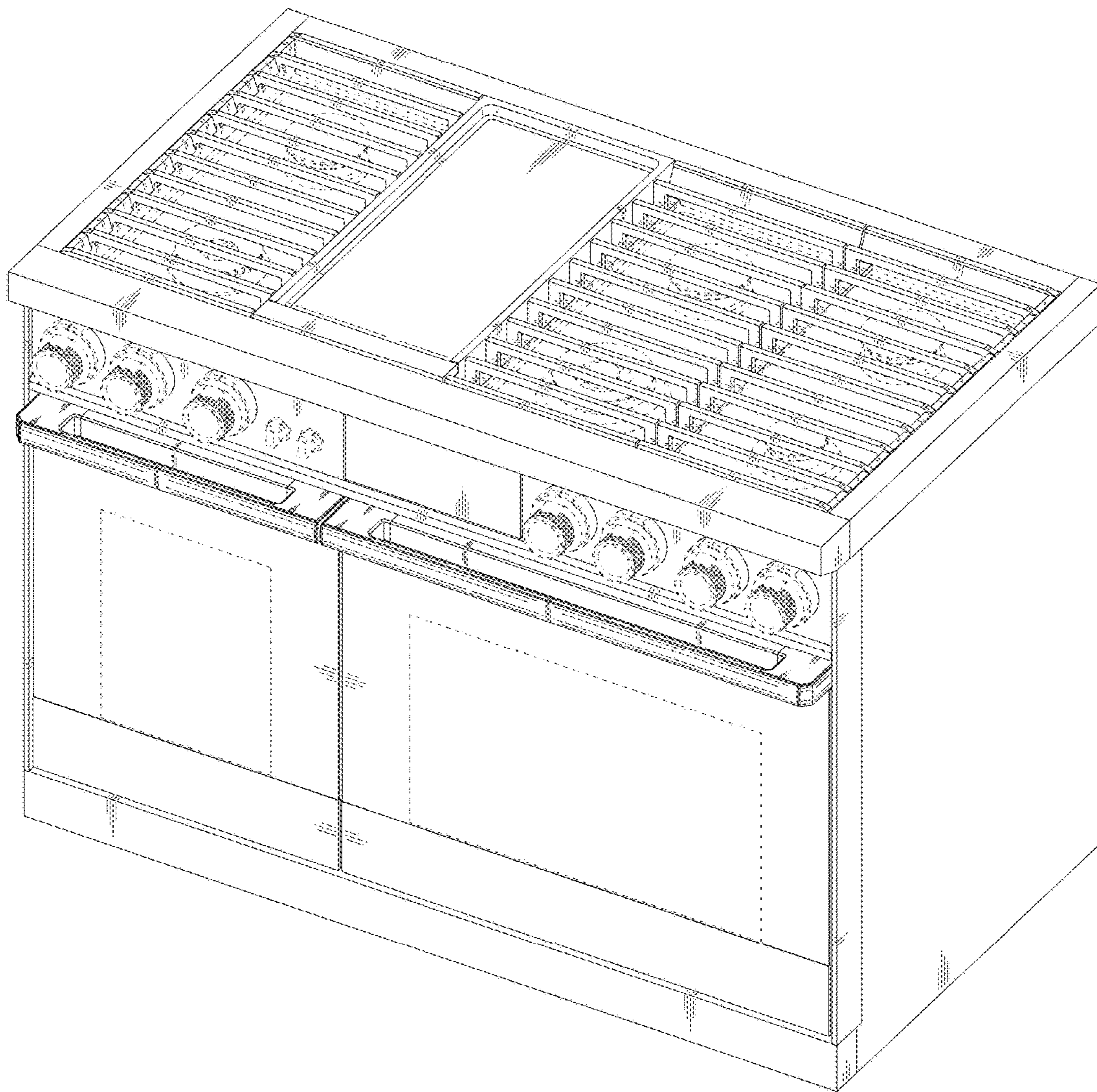


FIG. 2

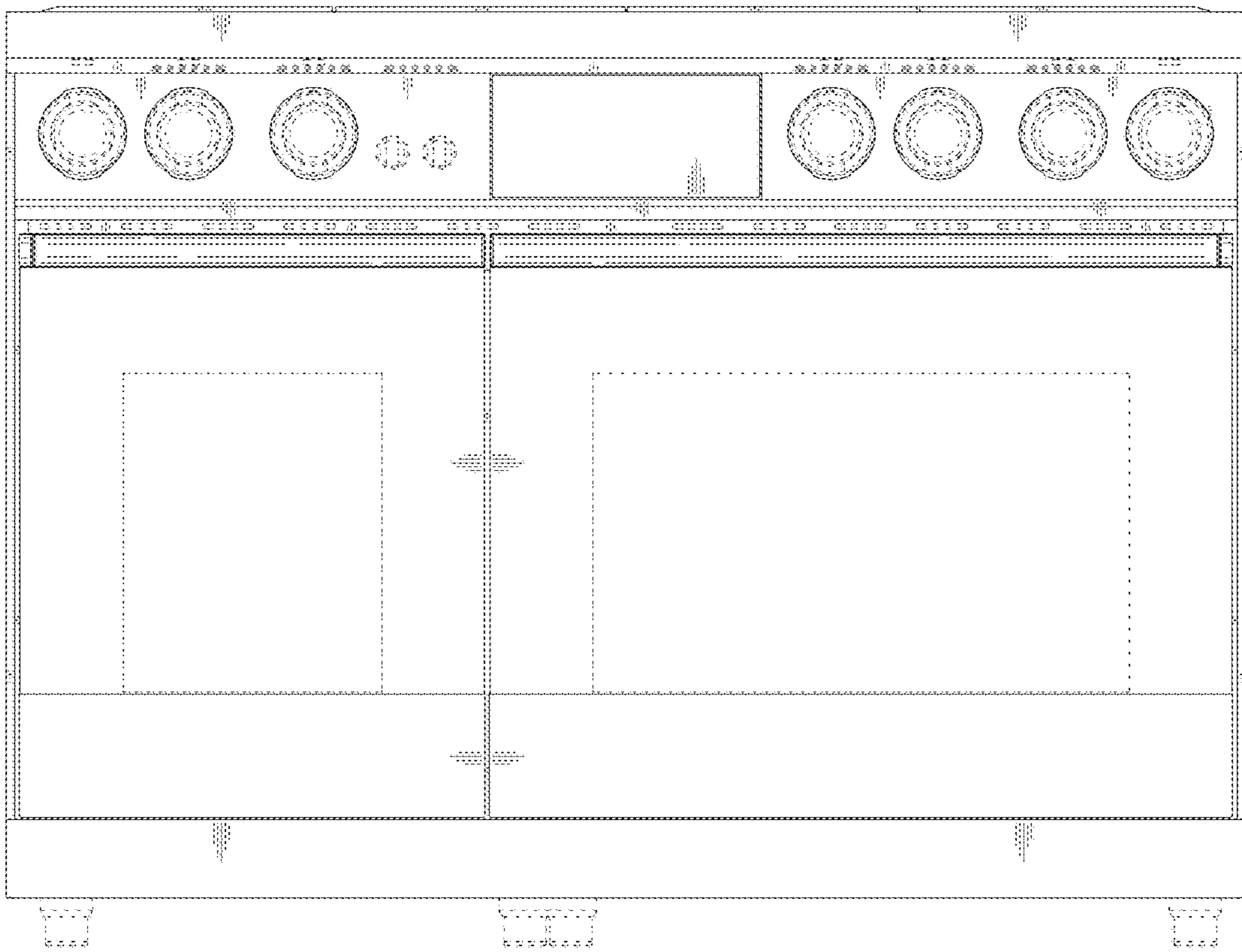


FIG. 3

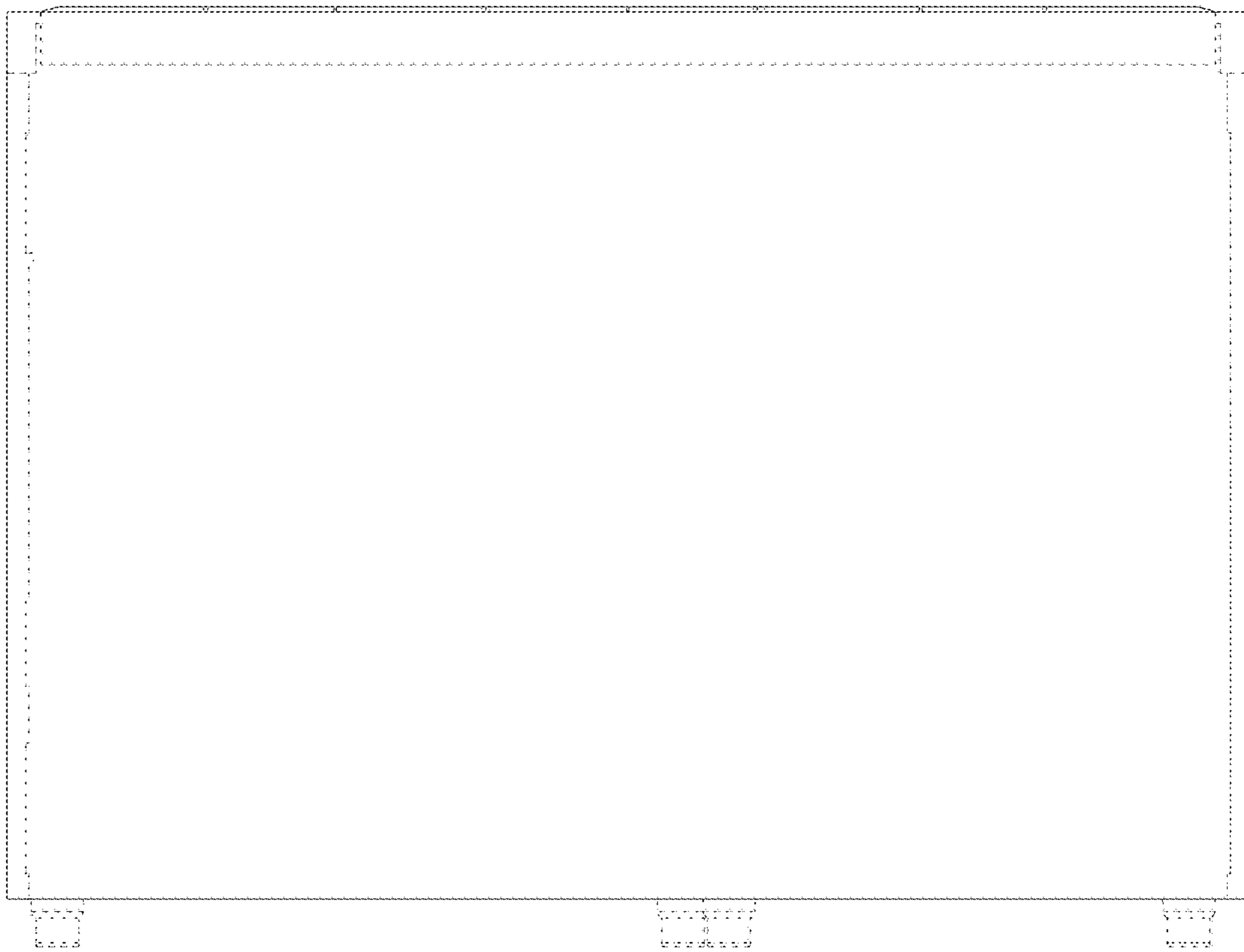


FIG. 4

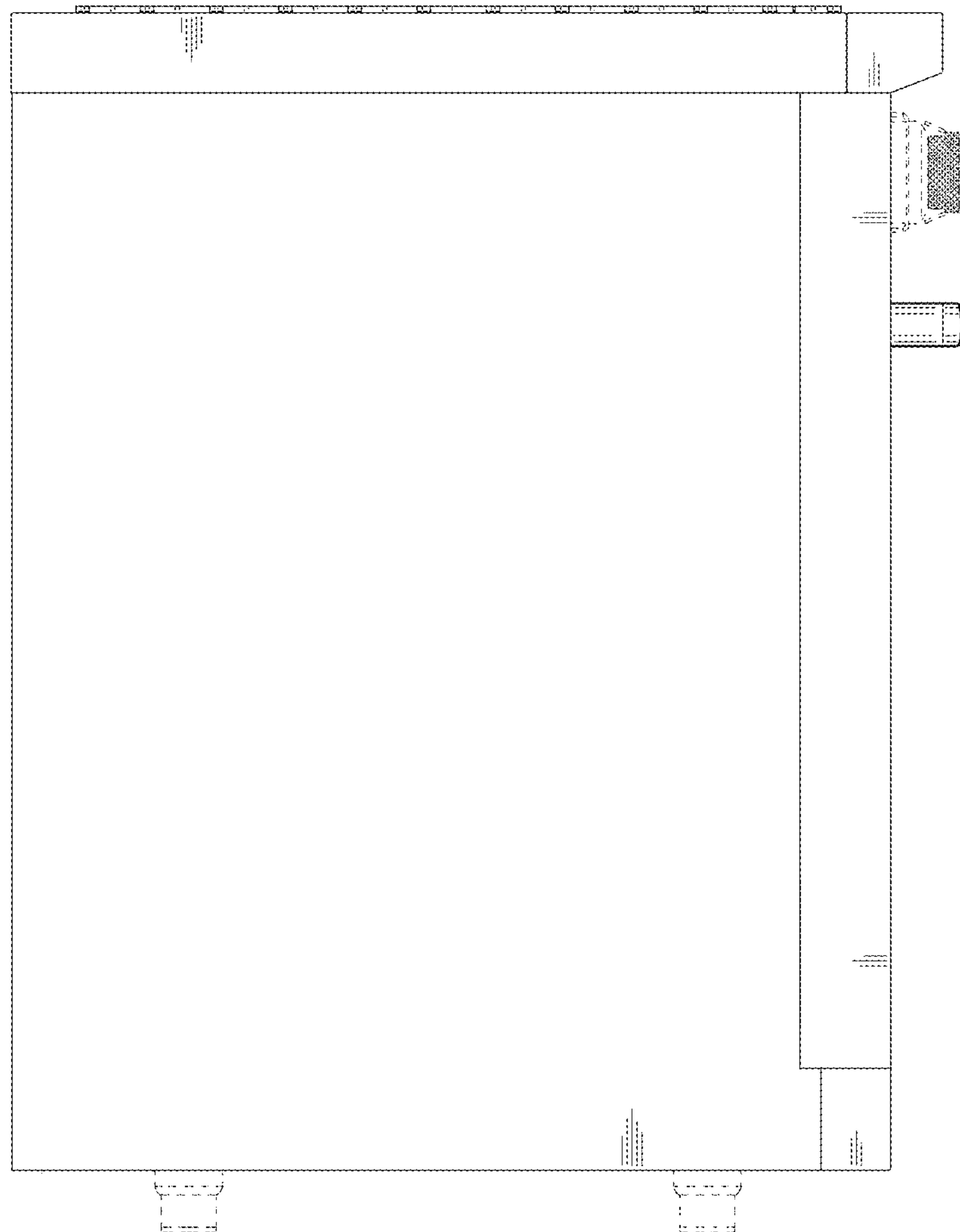


FIG. 5

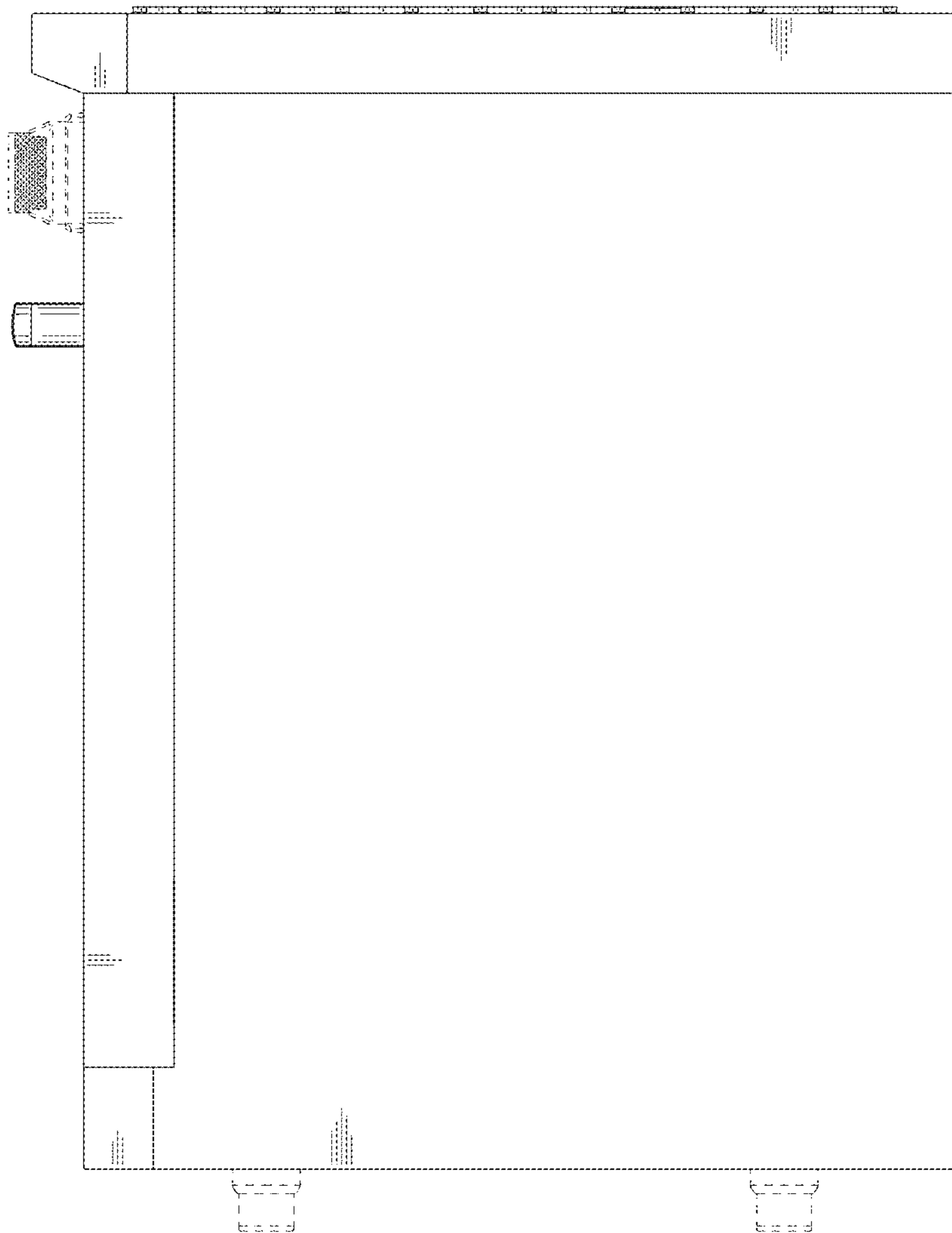


FIG. 6

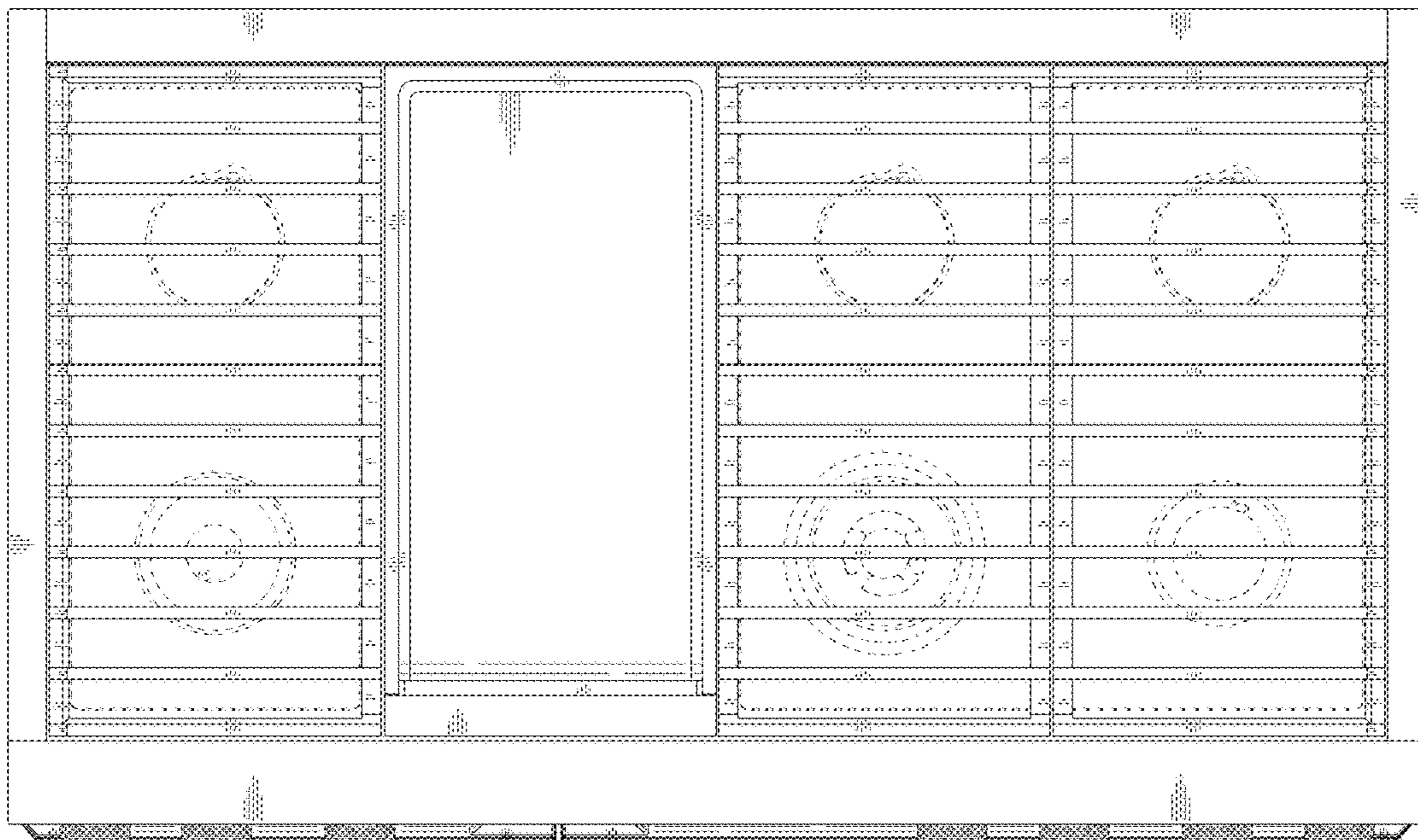


FIG. 7

