



US00D825248S

(12) **United States Design Patent**
Jeon et al.

(10) **Patent No.:** **US D825,248 S**

(45) **Date of Patent:** **** Aug. 14, 2018**

(54) **GAS OVEN RANGE**

FOREIGN PATENT DOCUMENTS

(71) Applicant: **SAMSUNG ELECTRONICS CO., LTD.**, Suwon-si, Gyeonggi-do (KR)

KR	300608756 S	8/2011
KR	300664090 S	10/2012
KR	300810740 S	8/2015

(72) Inventors: **Jongsu Jeon**, Seongnam-si (KR); **Binna Kim**, Seoul (KR); **Jae-moon Lee**, Seoul (KR); **Hwanwoong Choi**, Seoul (KR)

OTHER PUBLICATIONS

(73) Assignee: **SAMSUNG ELECTRONICS CO., LTD.**, Gyeonggi-Do (KR)

Discovery 48" Dual-Fuel Range, Dacor the Life of the Kitchen, pp. 1-6, Retrieved from the Internet Apr. 28, 2017, <URL:http://www.dacor.com/Products/Ranges/Discovery-48-Dual-Fuel-Range.
Jenn-Air 48" Pro-Style Dual-Fuel Range with Griddle and MultiMode Convection, pp. 1-2, Retrieved from the Internet Apr. 28, 2017, <URL:http://www.homeportfolio.com/catalog/Product.jhtml?prodID=249364.

(**) Term: **15 Years**

* cited by examiner

(21) Appl. No.: **29/602,231**

Primary Examiner — Freda S Nunn

(22) Filed: **Apr. 28, 2017**

(74) *Attorney, Agent, or Firm* — Cantor Colburn LLP

(30) **Foreign Application Priority Data**

Oct. 28, 2016 (KR) 30-2016-0051886

(51) **LOC (11) Cl.** **07-02**

(52) **U.S. Cl.**
USPC **D7/340**

(58) **Field of Classification Search**
USPC D7/339-341, 344, 346-349, 352, 362, D7/363, 402, 405-409; D8/311, 312, D8/315, 316; 99/324, 325, 330-339, 342, 99/403

See application file for complete search history.

(56) **References Cited**

U.S. PATENT DOCUMENTS

3,898,975 A *	8/1975	Kemp	F24C 15/36
				126/214 D
D524,094 S *	7/2006	Home	D7/340
D605,456 S *	12/2009	Bengtson	D7/340
D670,969 S *	11/2012	Bengtson	D7/406
2012/0111312 A1 *	5/2012	Kim	F24C 15/10
				126/214 C

(57) **CLAIM**

The ornamental design for a gas oven range, as shown and described.

DESCRIPTION

FIG. 1 is a front perspective view of a gas oven range, showing our new design;
FIG. 2 is a front view thereof;
FIG. 3 is a rear view thereof;
FIG. 4 is a left side view thereof;
FIG. 5 is a right side view thereof;
FIG. 6 is a top view thereof; and,
FIG. 7 is a bottom view thereof.
The broken lines illustrating portions of the gas oven range form no part of the claimed design.

1 Claim, 7 Drawing Sheets

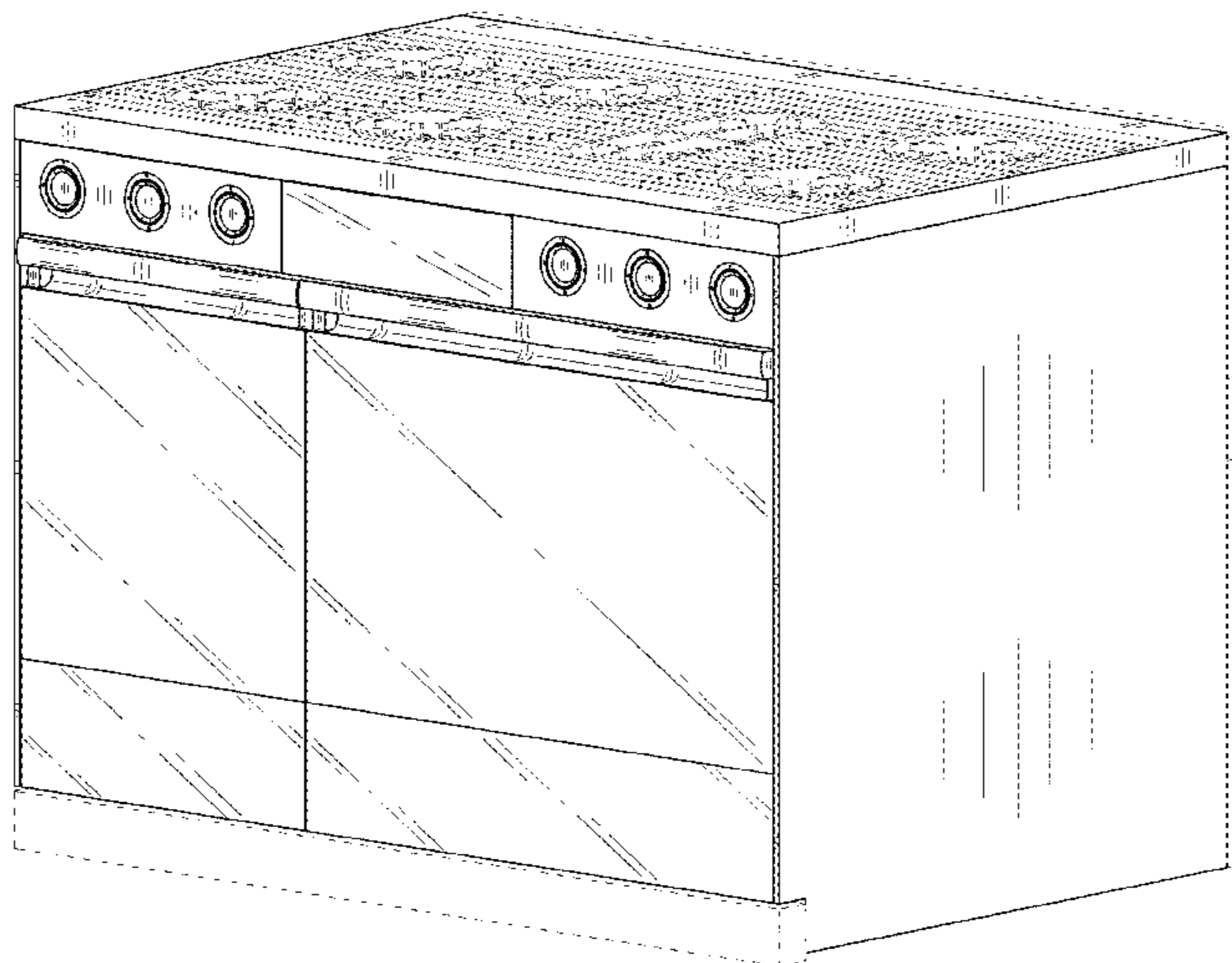


FIG. 1

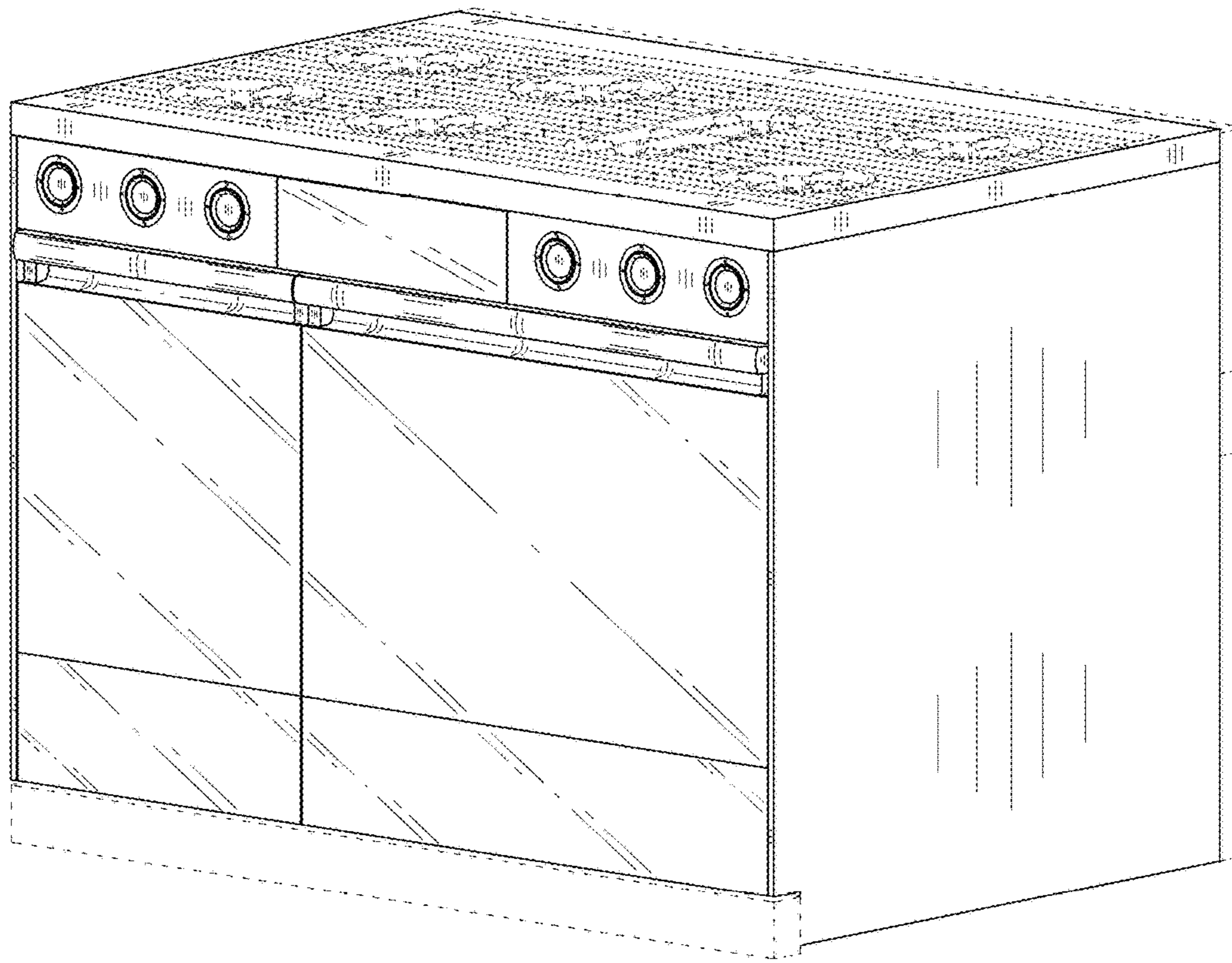


FIG. 2

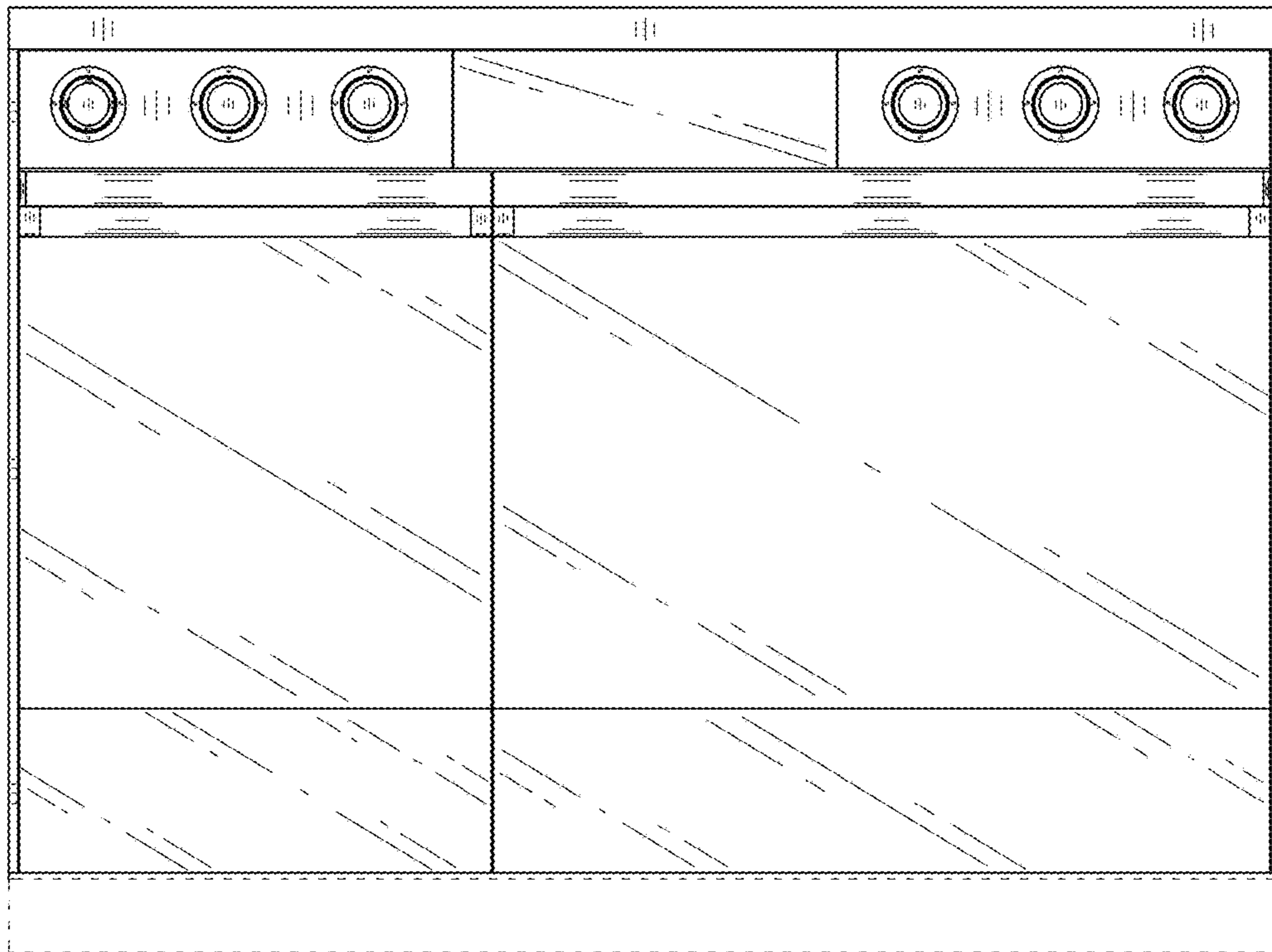


FIG. 3



FIG. 4

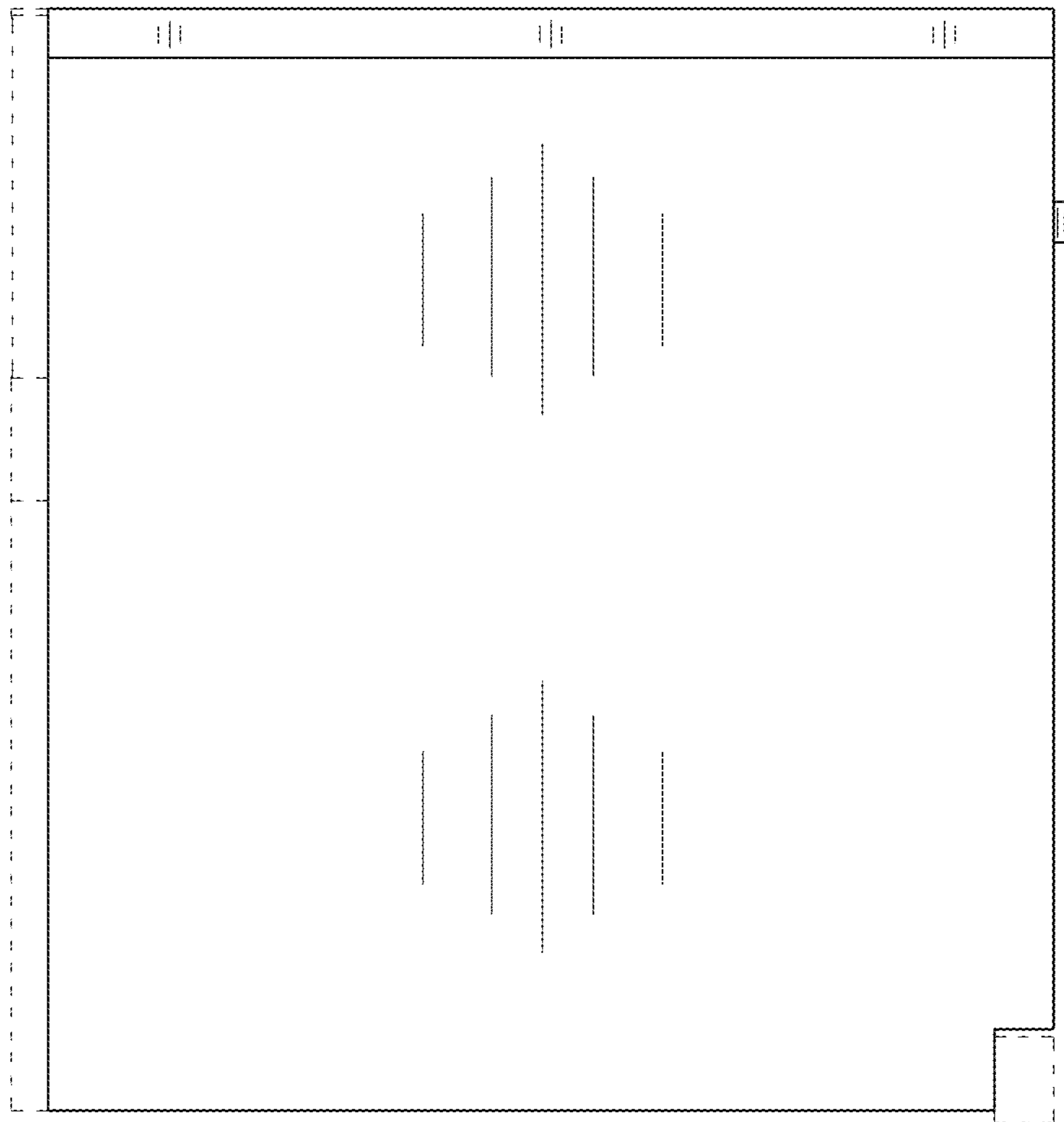


FIG. 5

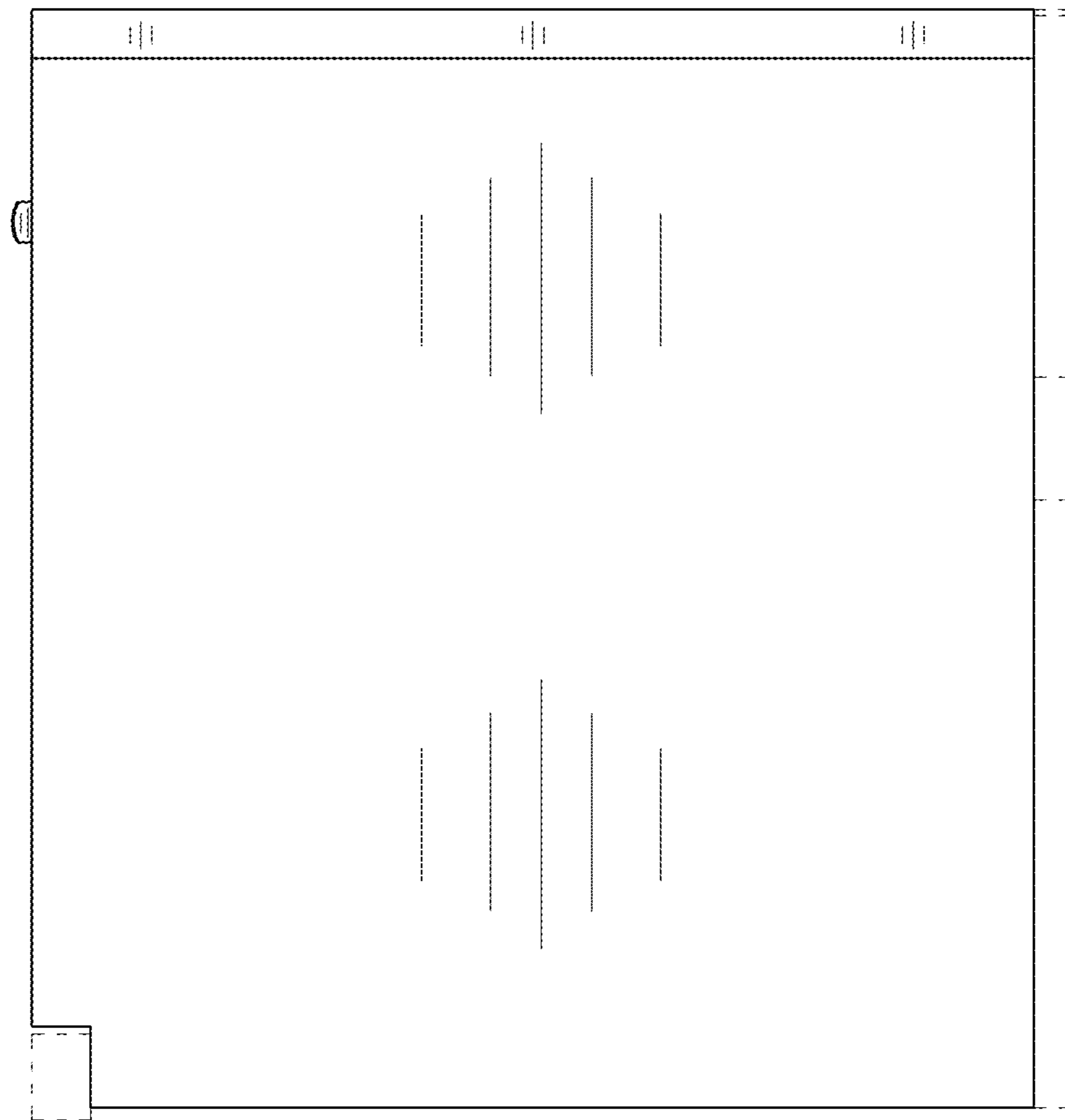


FIG. 6

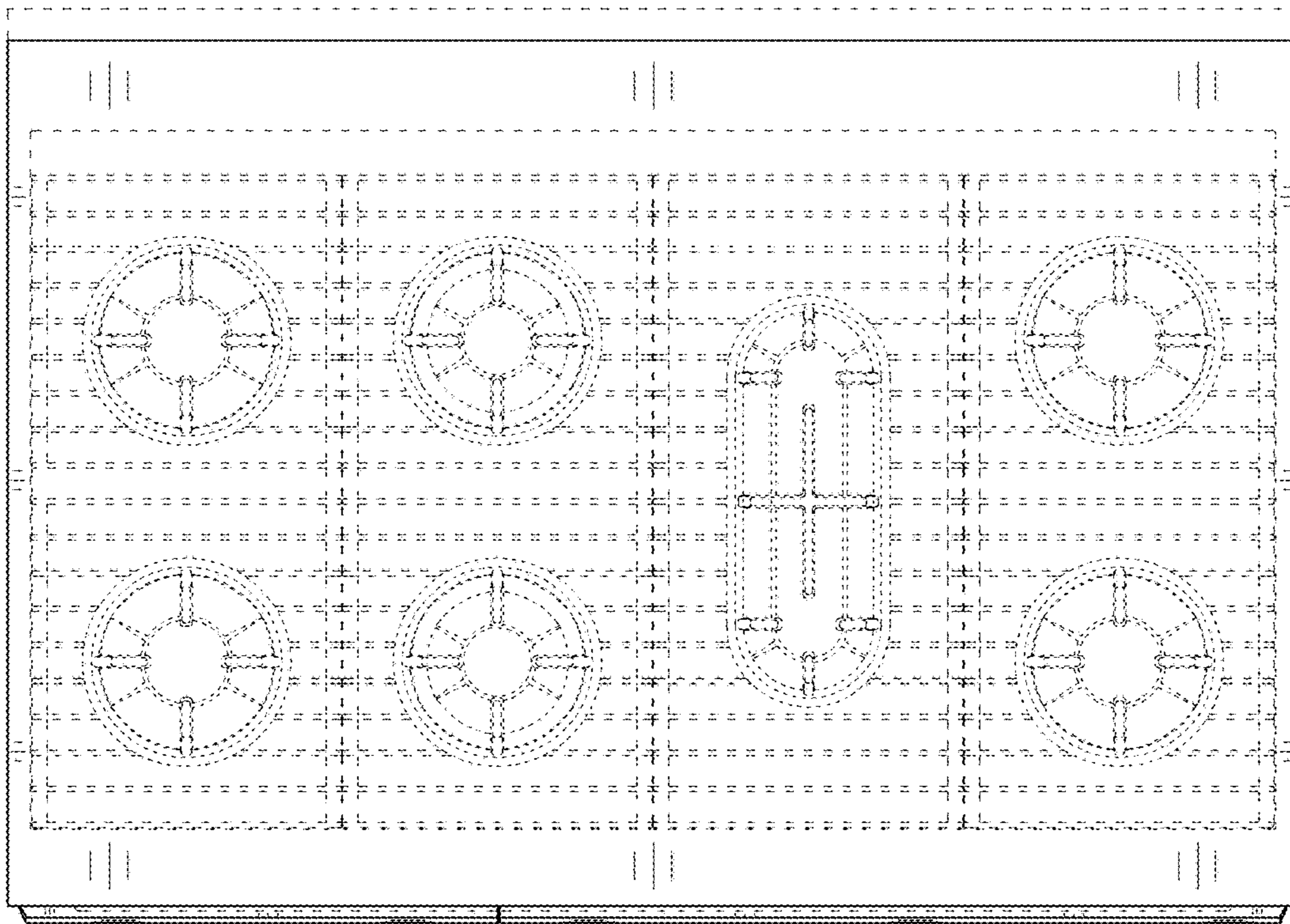


FIG. 7

