



US00D825247S

(12) **United States Design Patent** (10) **Patent No.:** **US D825,247 S**
Dash et al. (45) **Date of Patent:** **** Aug. 14, 2018**

(54) **OVEN APPLIANCE**
(71) Applicant: **StoreBound**, New York, NY (US)
(72) Inventors: **Evan Dash**, Port Washington, NY (US);
Yiyang Zhang, Brooklyn, NY (US)
(73) Assignee: **StoreBound**
(**) Term: **15 Years**
(21) Appl. No.: **29/597,371**
(22) Filed: **Mar. 16, 2017**
(51) **LOC (11) Cl.** **07-02**
(52) **U.S. Cl.**
USPC **D7/328**
(58) **Field of Classification Search**
USPC D7/323, 328-330, 350.1, 351, 390, 405
CPC ... A21B 2/00; A47J 37/00; A47J 37/06; A47J
37/0611; A47J 37/08; A47J 37/0807;
A47J 37/0814; A47J 37/0835; A47J
37/0842; A47J 37/085; A47J 37/0864;
A47J 37/0878; A47J 37/0885; A47J
37/0892; F24C 15/10; F24C 15/102
See application file for complete search history.

D564,284 S * 3/2008 Leung D7/350.1
D585,235 S * 1/2009 Tetreault D7/350.1
D614,905 S * 5/2010 Fiorotto D7/350.1
8,003,923 B2 8/2011 Wilsdorf
D655,970 S * 3/2012 De' Longhi D7/351
8,716,631 B2 5/2014 Venezia et al.
2012/0111366 A1 5/2012 Baldwin et al.

FOREIGN PATENT DOCUMENTS

CN 202723632 2/2013
CN 204049335 12/2014
DE 102008041519 3/2010

* cited by examiner

Primary Examiner — Ricky Pham
(74) *Attorney, Agent, or Firm* — Belles Katz LLC

(57) **CLAIM**

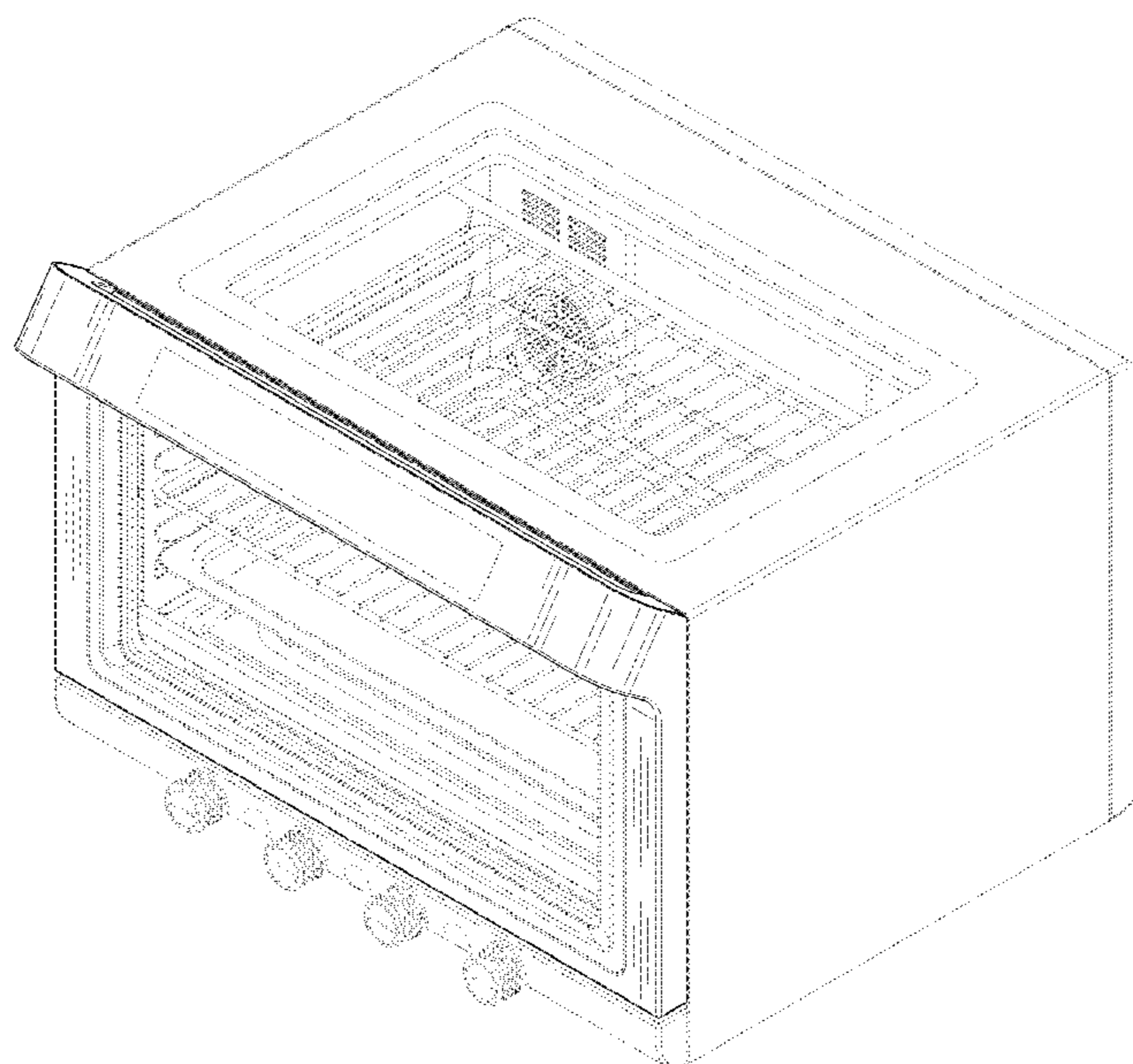
I claim the ornamental design for a oven appliance, as shown and described.

DESCRIPTION

FIG. 1 is a front top right perspective view of an oven appliance in accordance with the present invention; FIG. 2 is a rear bottom right perspective view thereof; FIG. 3 is a front elevation view thereof; FIG. 4 is a rear elevation view thereof; FIG. 5 is a right-side elevation view thereof; FIG. 6 is a left-side elevation view thereof; FIG. 7 is a top plan view thereof; and, FIG. 8 is a bottom plan view thereof. The broken lines in the drawings illustrate portions of the article that form no part of the claimed design.

1 Claim, 8 Drawing Sheets

(56) **References Cited**
U.S. PATENT DOCUMENTS
3,151,612 A 10/1964 Keeling, Sr. et al.
5,960,785 A 10/1999 Byrne et al.
6,363,836 B1 4/2002 Usherovich
D495,556 S * 9/2004 Milrud D7/405
D525,075 S * 7/2006 Jeon D7/350.1
D533,390 S * 12/2006 Ball D7/350.1
7,211,775 B2 5/2007 Lee
D564,283 S * 3/2008 Leung D7/350.1



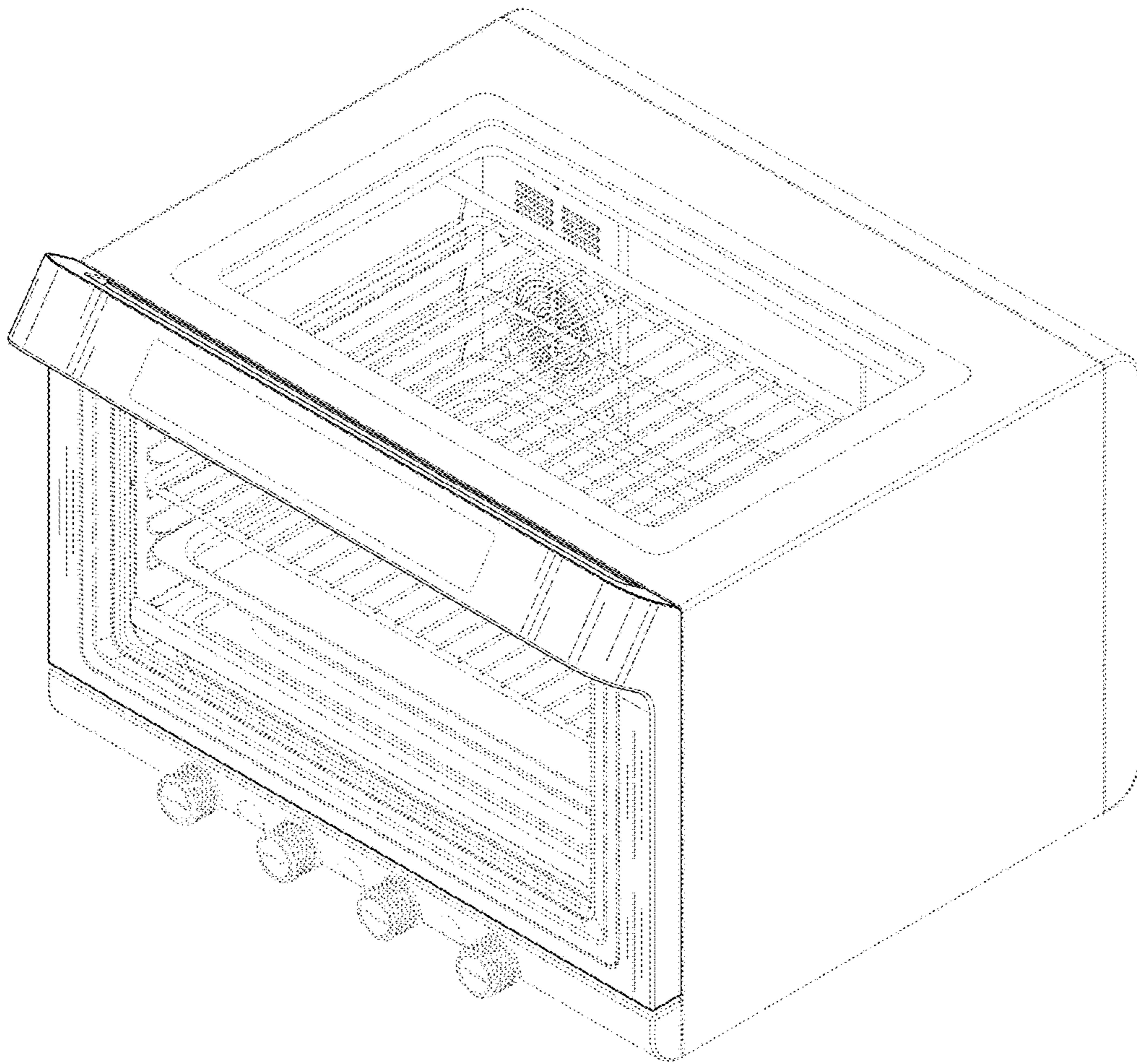


FIG. 1

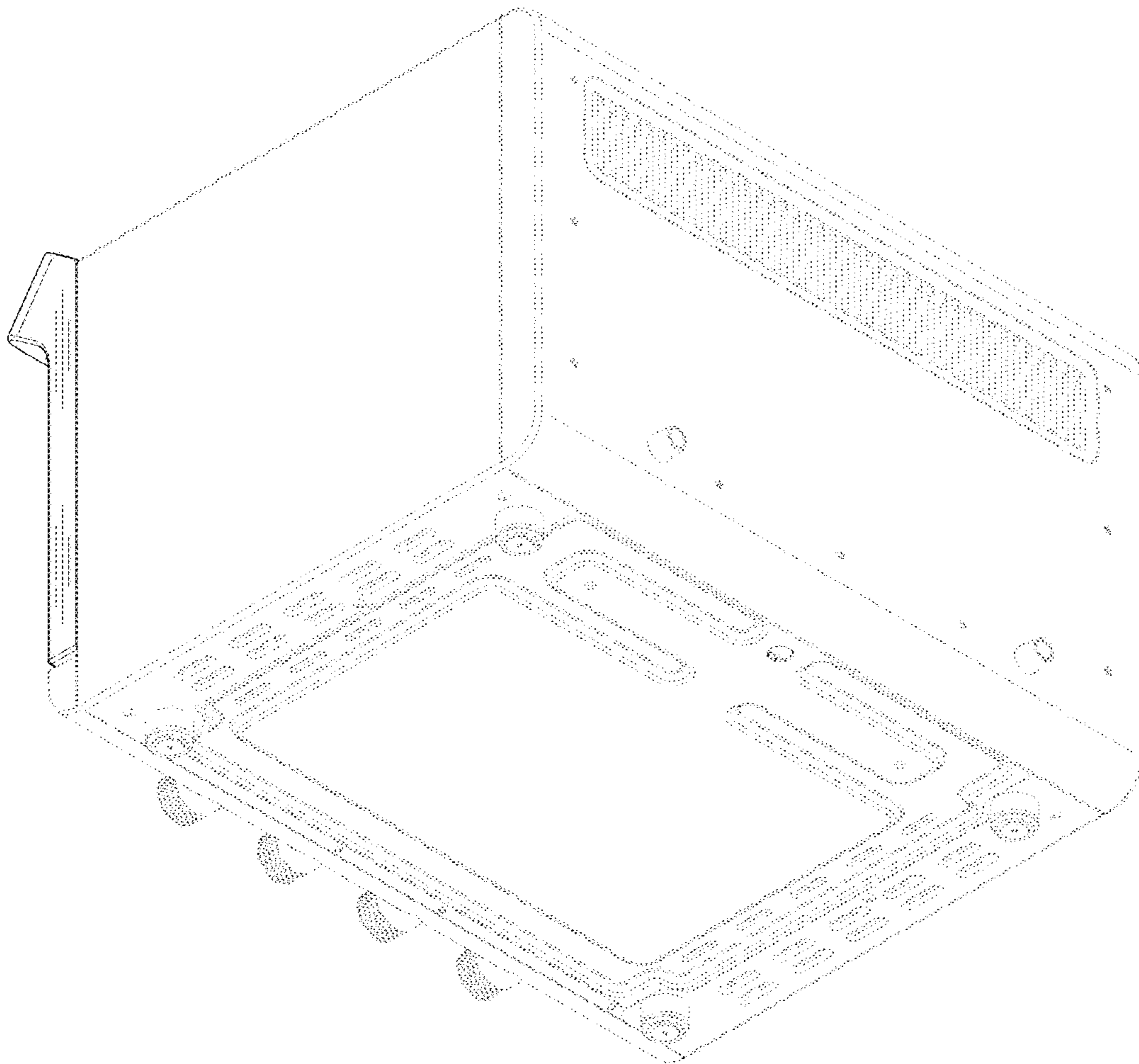


FIG. 2

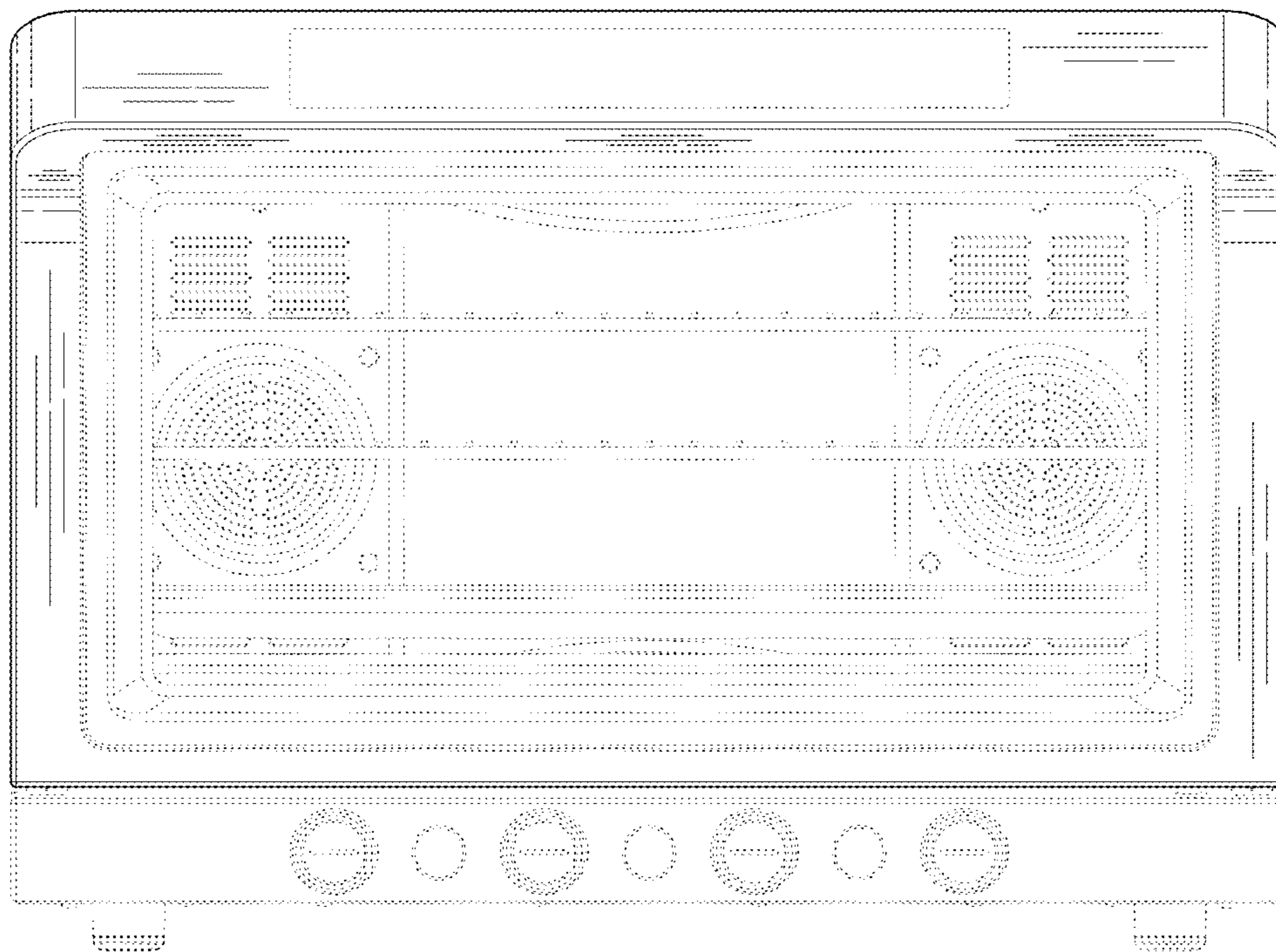


FIG. 3

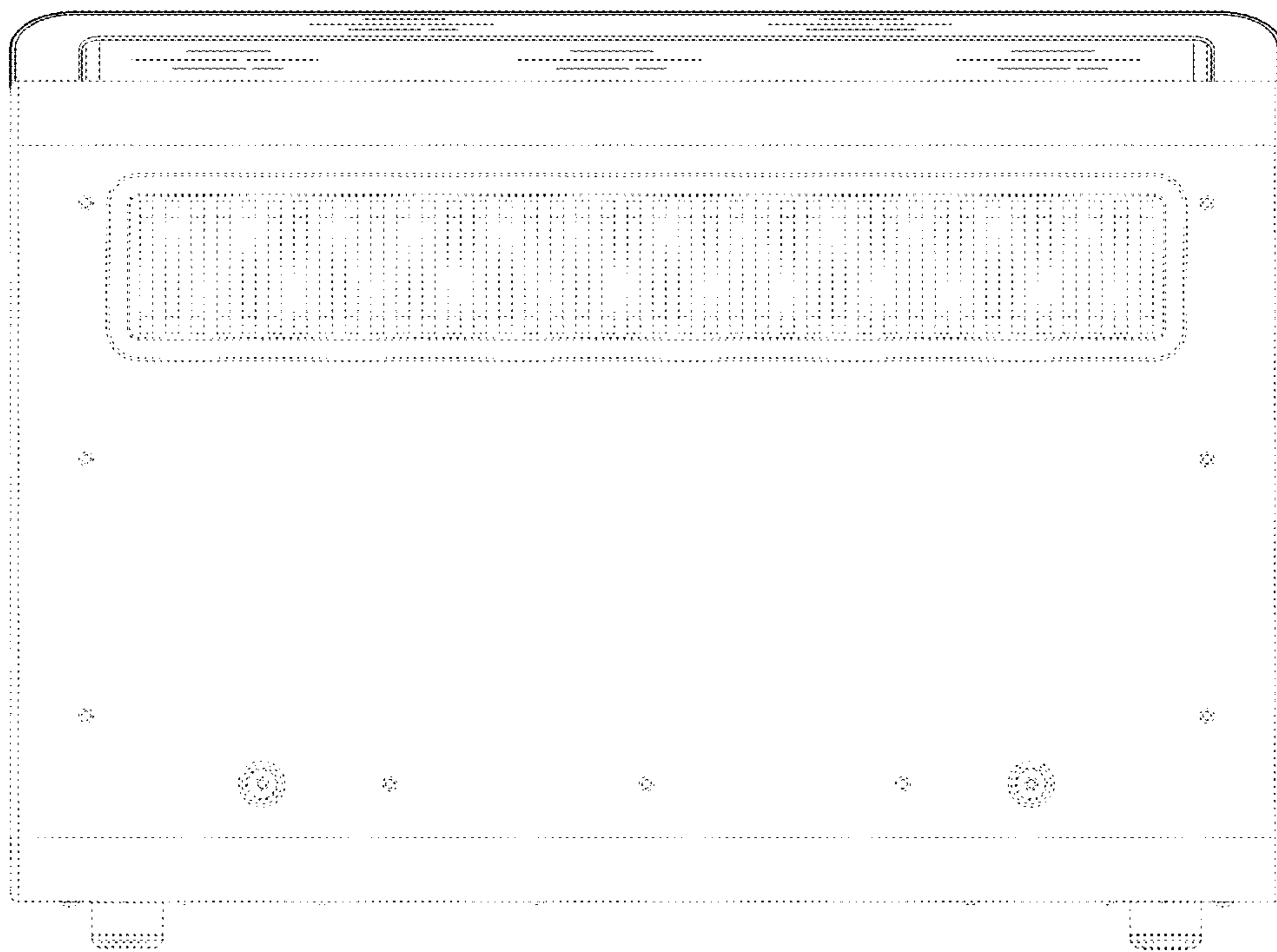


FIG. 4

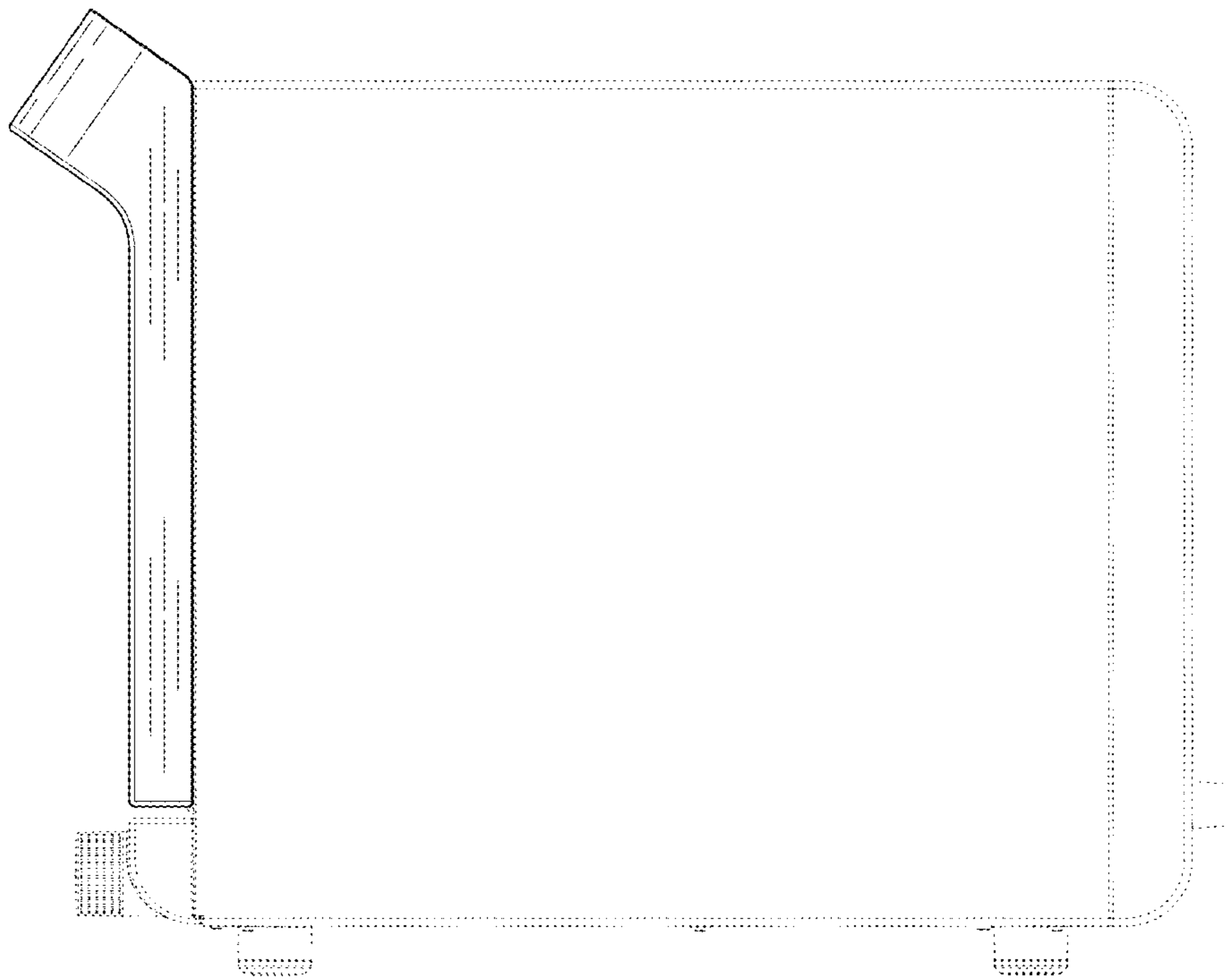


FIG. 5

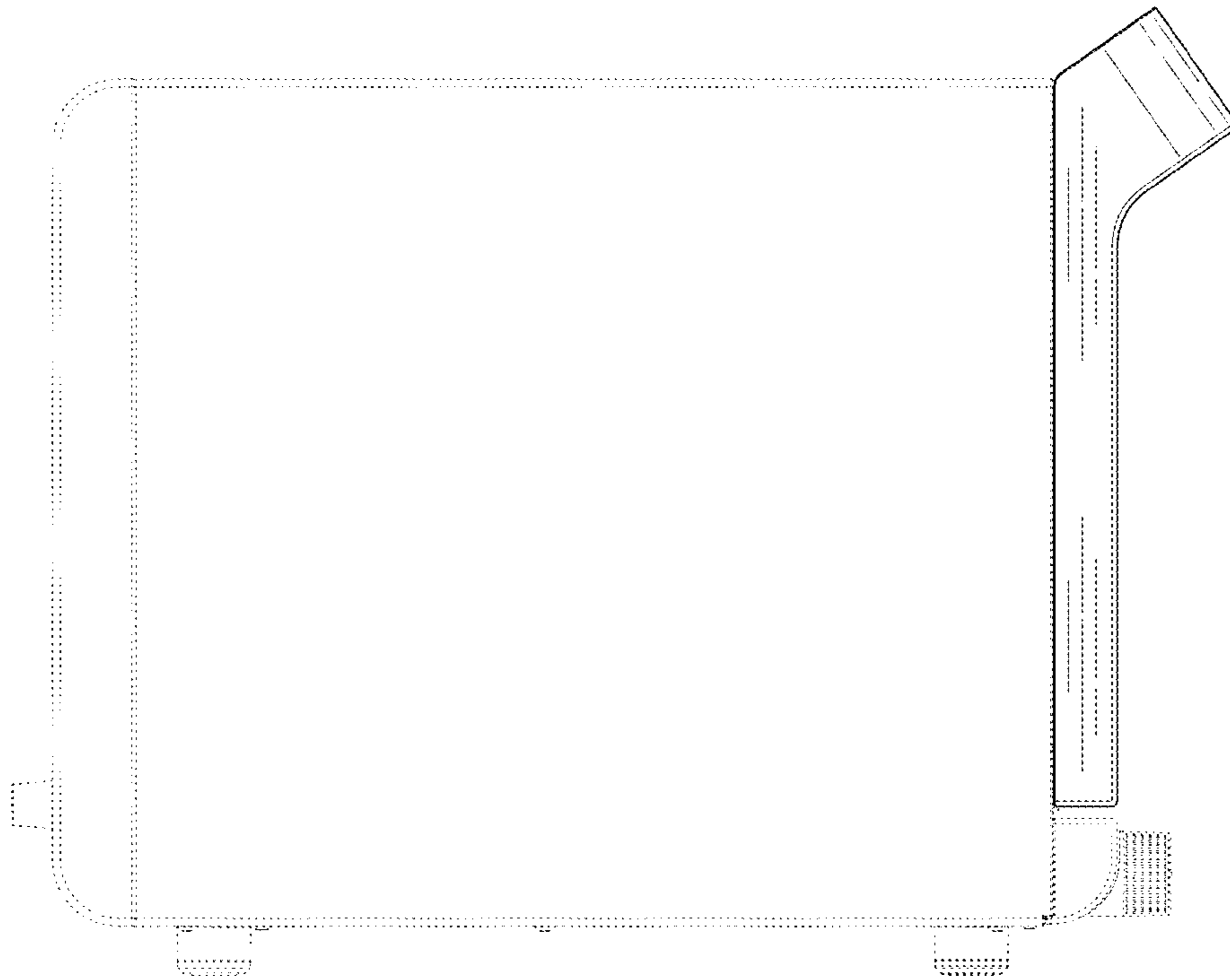


FIG. 6

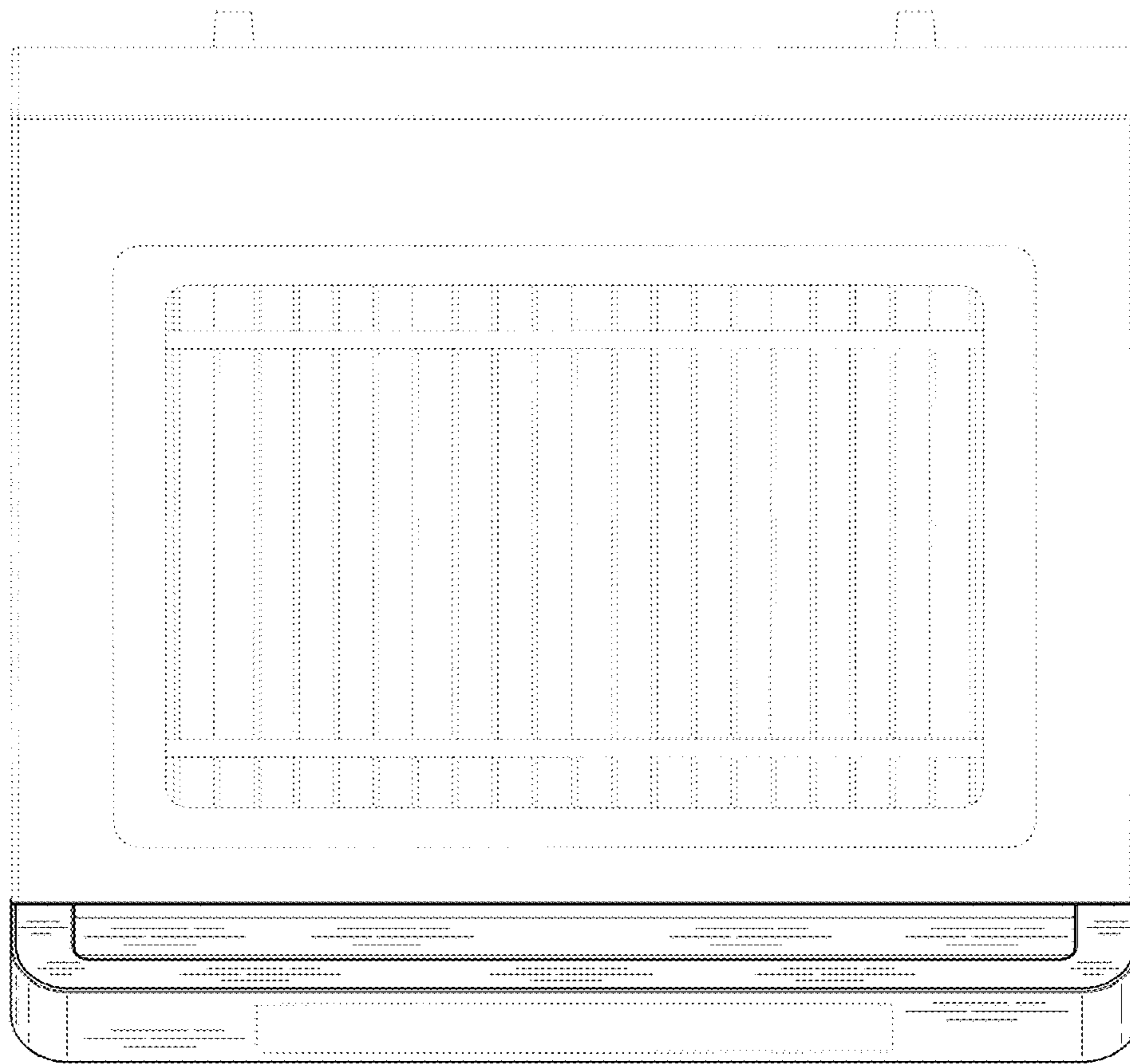


FIG. 7

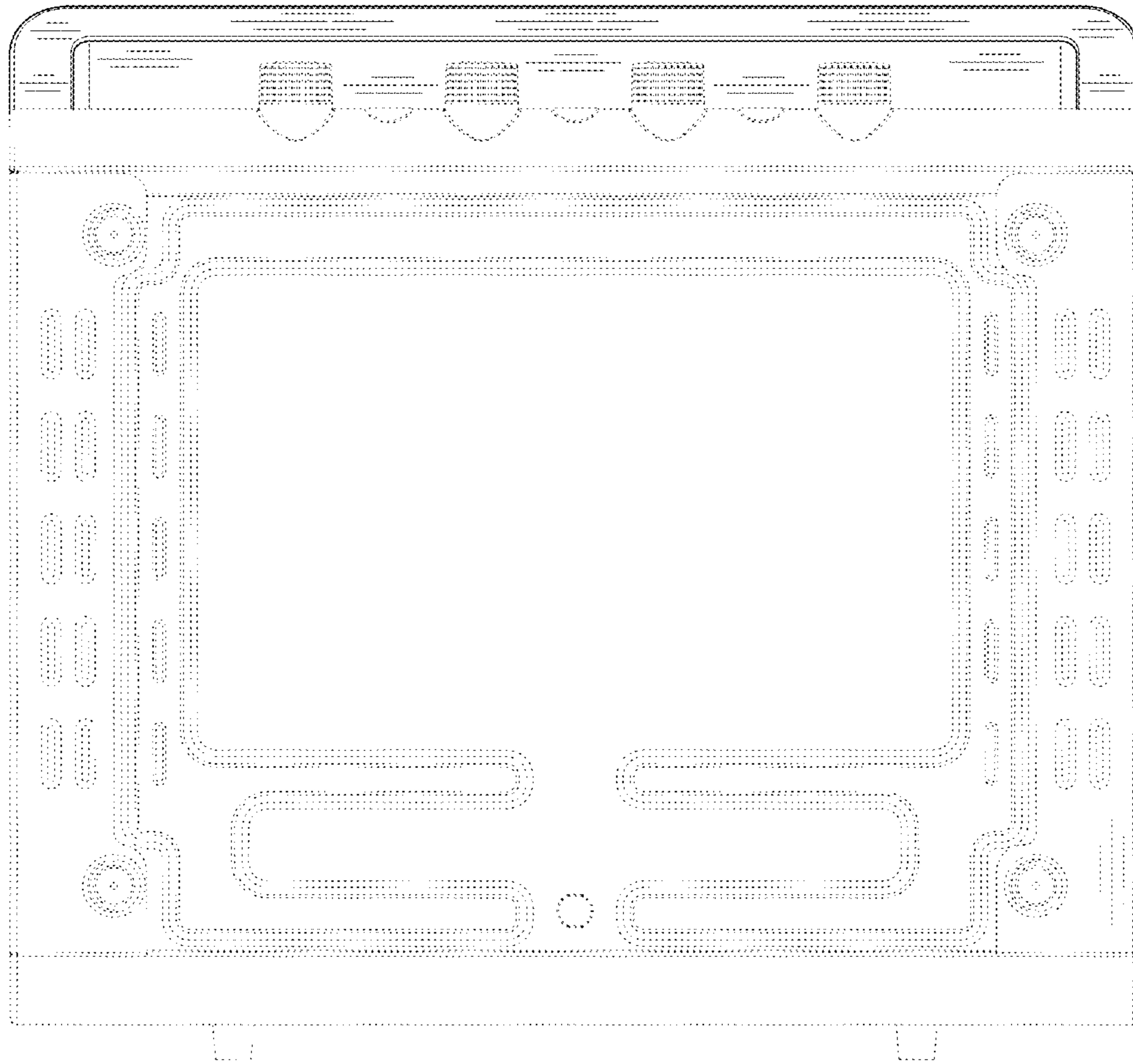


FIG. 8