



US00D825244S

(12) **United States Design Patent** (10) **Patent No.:** **US D825,244 S**
Bodum (45) **Date of Patent:** **** Aug. 14, 2018**

(54) **ELECTRIC COFFEE DRIPPER**
 (71) Applicant: **PI-Design AG**, Triengen (CH)
 (72) Inventor: **Jorgen Bodum**, Meggen (CH)
 (73) Assignee: **PI-Design AG**, Triengen (CH)
 (**) Term: **15 Years**

D620,301 S * 7/2010 Picozza D7/309
 D628,007 S * 11/2010 Di Bitonto D7/309
 D677,510 S * 3/2013 Tetreault D7/309
 D719,776 S * 12/2014 Kunz D7/309
 D721,531 S * 1/2015 Krasne D7/309
 D726,483 S * 4/2015 Lin D7/309
 D747,144 S * 1/2016 Sun D7/509
 D760,009 S * 6/2016 Moammer D7/309
 D812,956 S * 3/2018 Liang D7/310

* cited by examiner

(21) Appl. No.: **29/586,761**
 (22) Filed: **Dec. 6, 2016**

Primary Examiner — Marianne Pandozzi
 (74) *Attorney, Agent, or Firm* — McDonnell Boehnen
 Hulbert & Berghoff LLP

(30) **Foreign Application Priority Data**

Jun. 14, 2016 (WO) DM/091223

(51) **LOC (11) Cl.** **07-01**
 (52) **U.S. Cl.**
 USPC **D7/309; D7/311**

(58) **Field of Classification Search**
 USPC D7/306–311, 397, 399, 305, 373;
 99/295; D20/1, 4; D15/80
 CPC A47J 31/3614; A47J 31/4403; A47J 31/46
 See application file for complete search history.

(56) **References Cited**

U.S. PATENT DOCUMENTS

D320,138 S * 9/1991 Steinkamp D7/309
 D343,758 S * 2/1994 Beeren D7/309
 D481,902 S * 11/2003 O'Connor D7/309
 D546,112 S * 7/2007 Rorke D7/309
 D550,499 S * 9/2007 Argabrite D7/309
 D590,652 S * 4/2009 Cesaroni D7/309

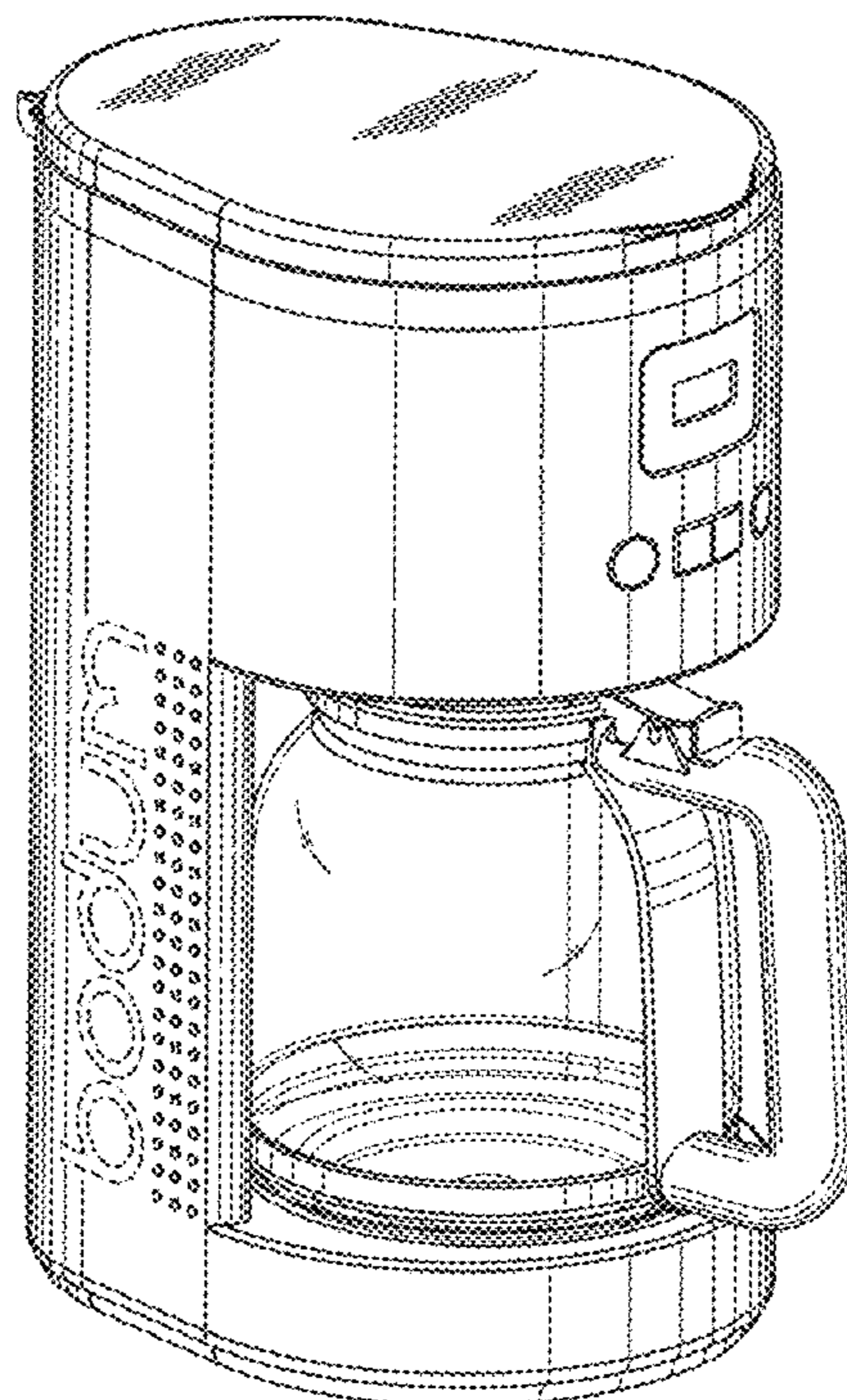
(57) **CLAIM**

The ornamental design for an electric coffee dripper, as shown and described.

DESCRIPTION

FIG. 1 is a perspective view of an electric coffee dripper showing my new design;
 FIG. 2 is a front view thereof;
 FIG. 3 is a rear view thereof;
 FIG. 4 is a left side view thereof;
 FIG. 5 is a right side view thereof;
 FIG. 6 is a top view thereof; and,
 FIG. 7 is a bottom view thereof.
 The broken lines in the drawing depict portions of the electric coffee dripper that form no part of the claimed design.

1 Claim, 7 Drawing Sheets



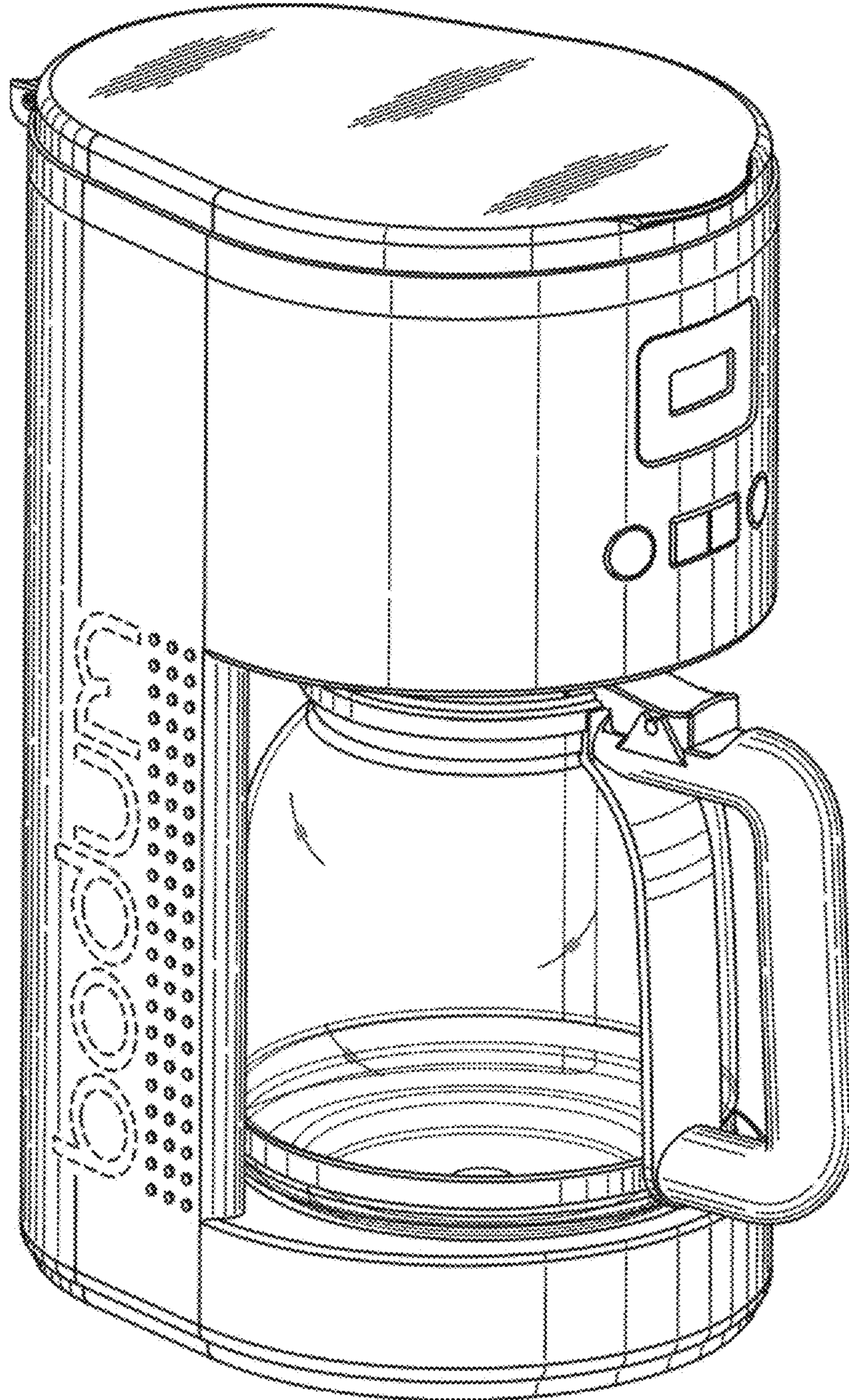


FIG. 1

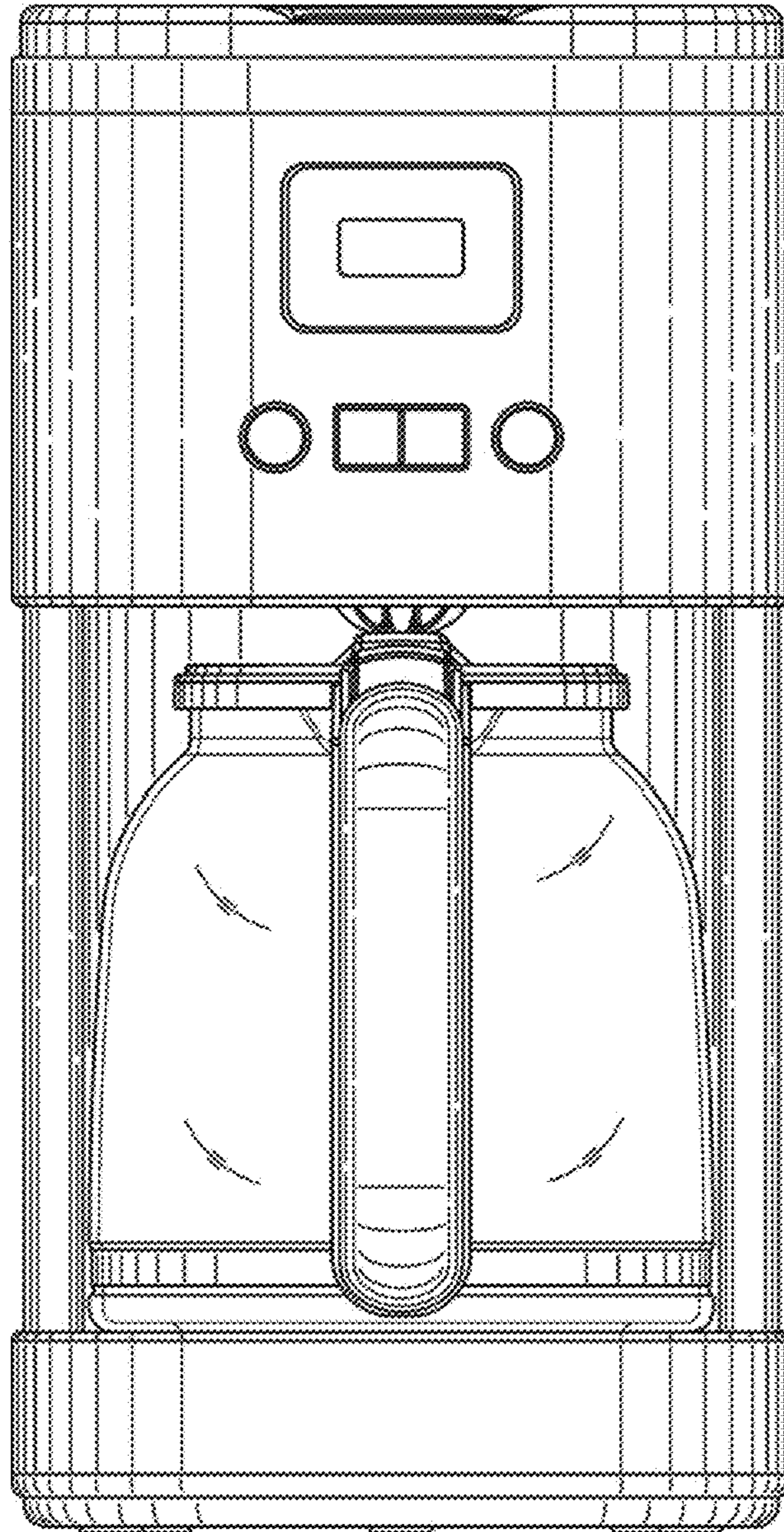


FIG. 2

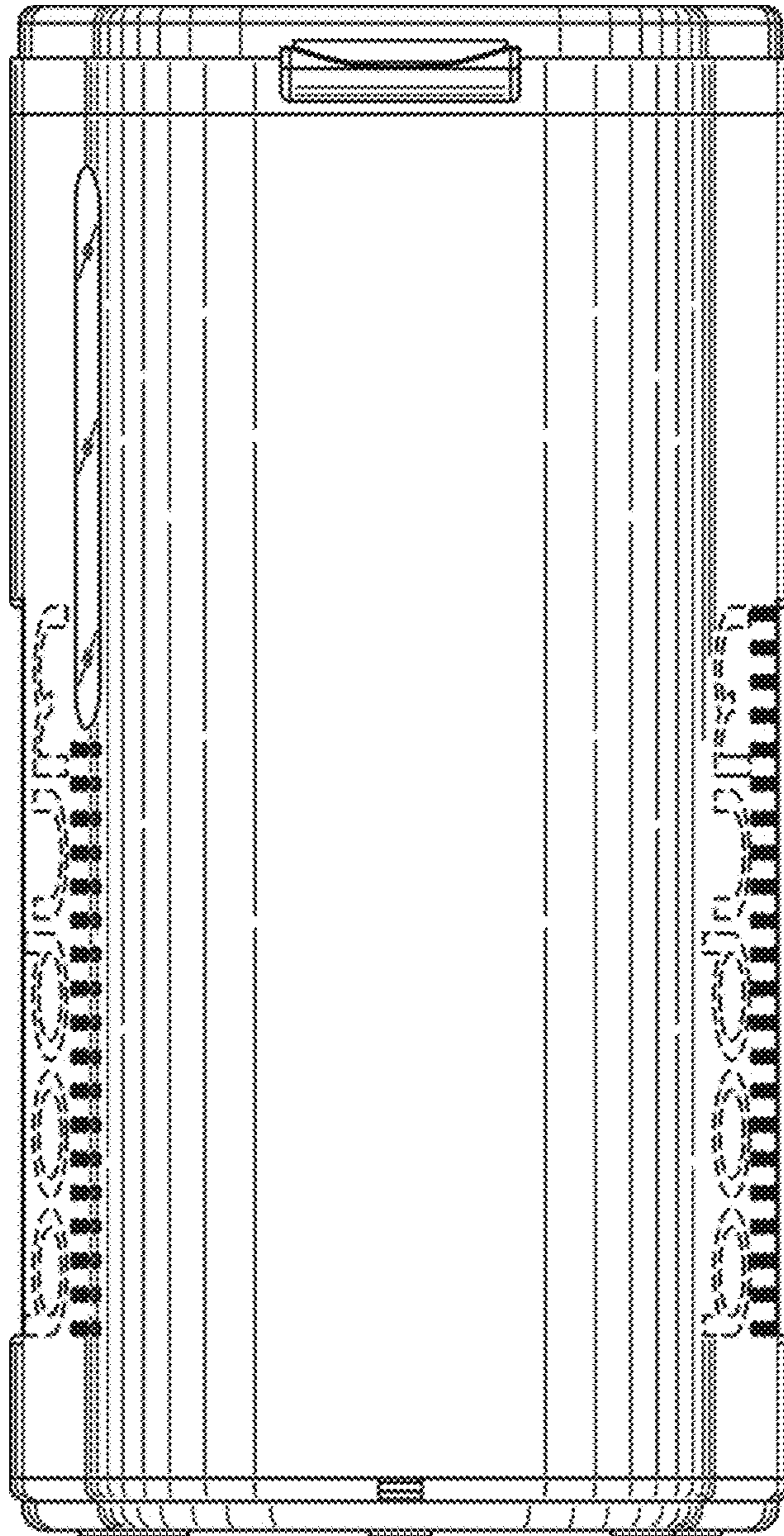


FIG. 3

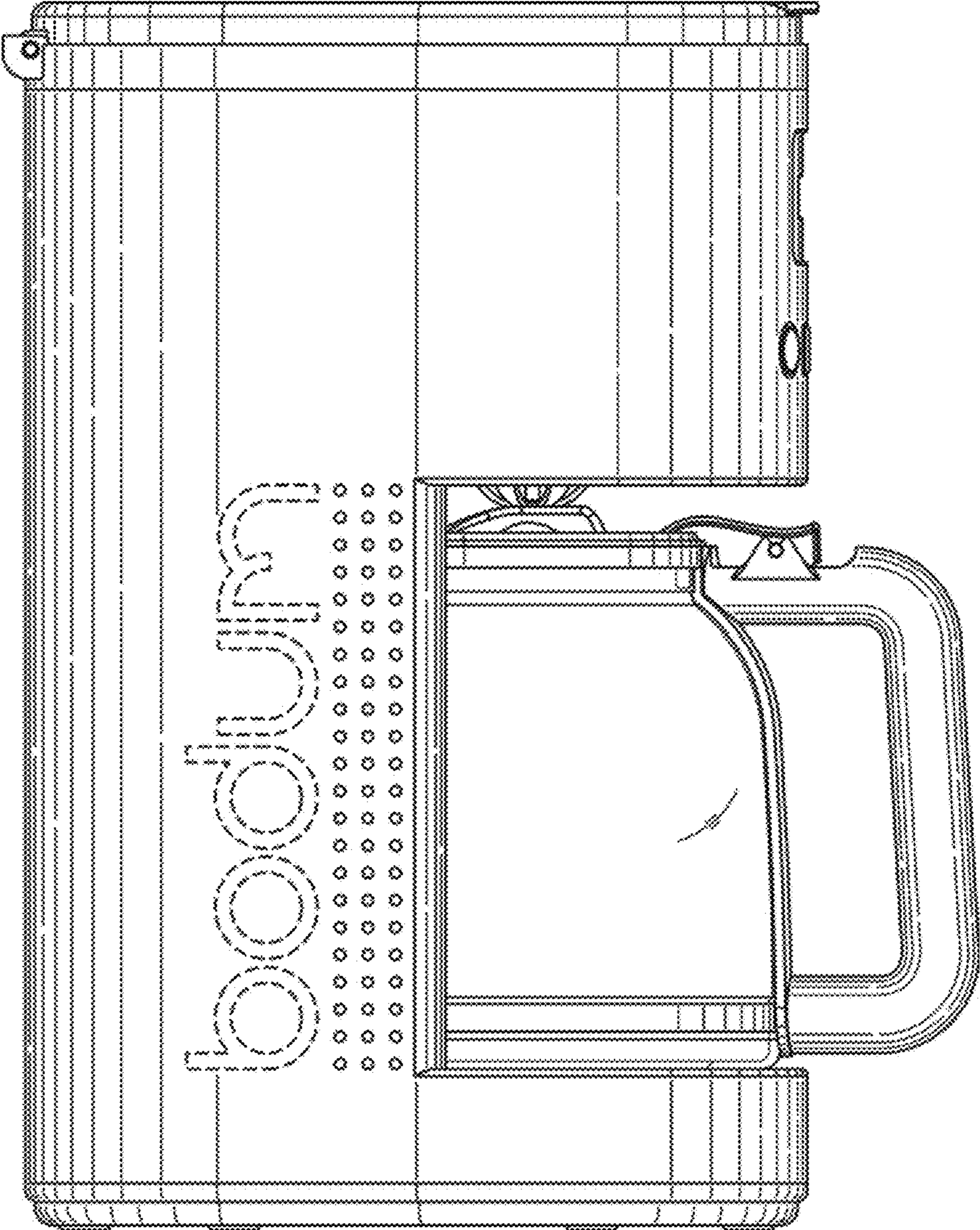


FIG. 4

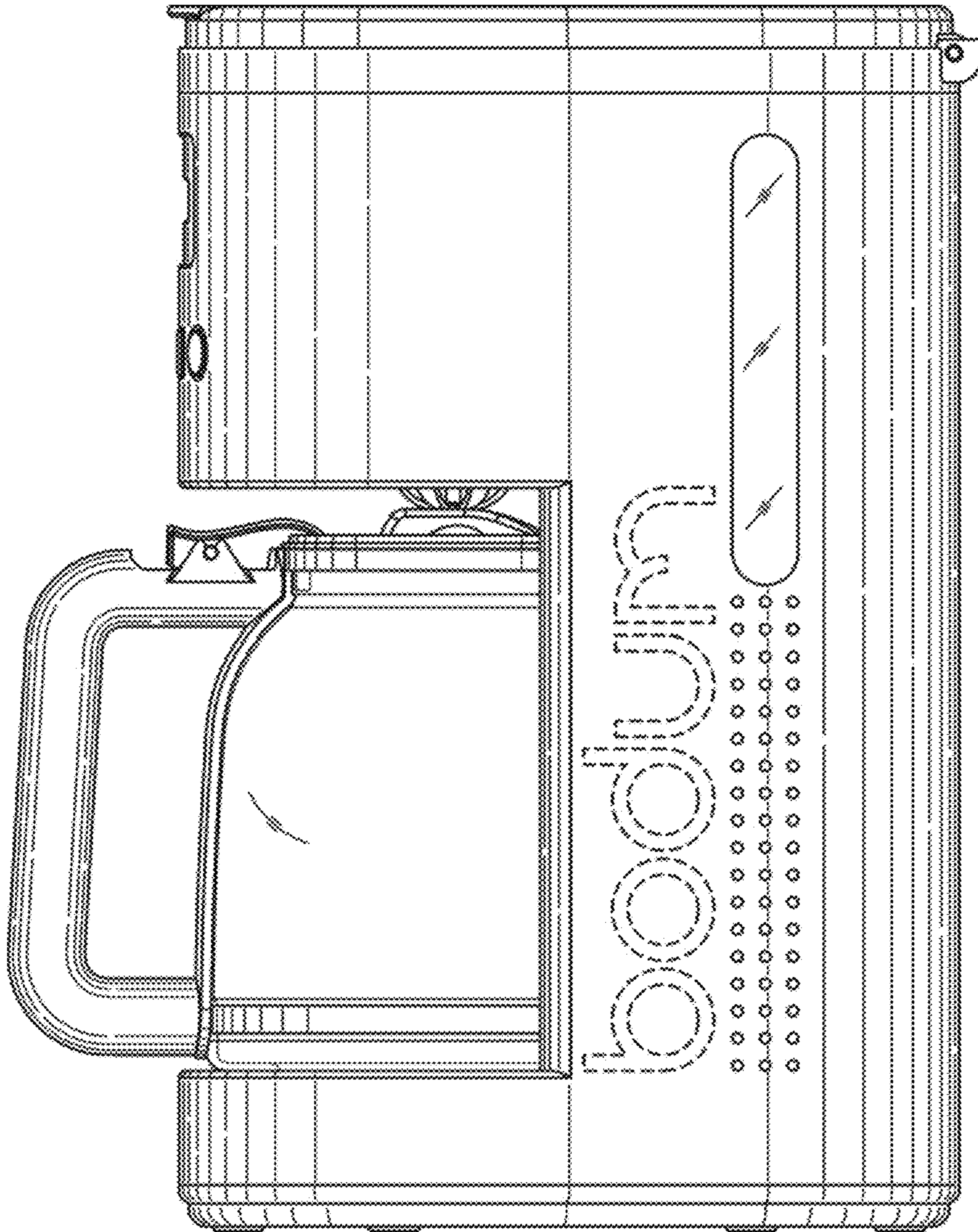


FIG. 5

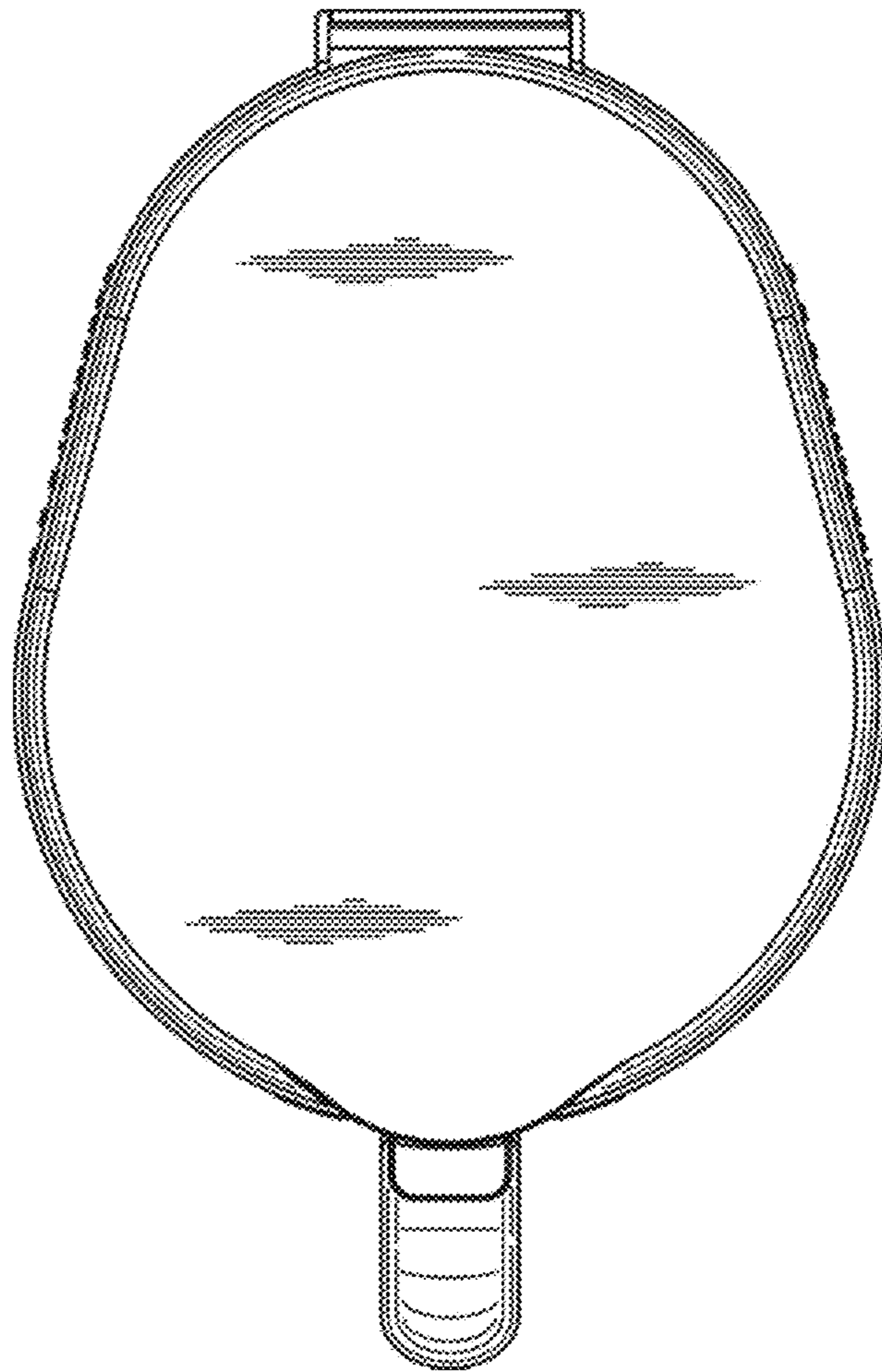


FIG. 6

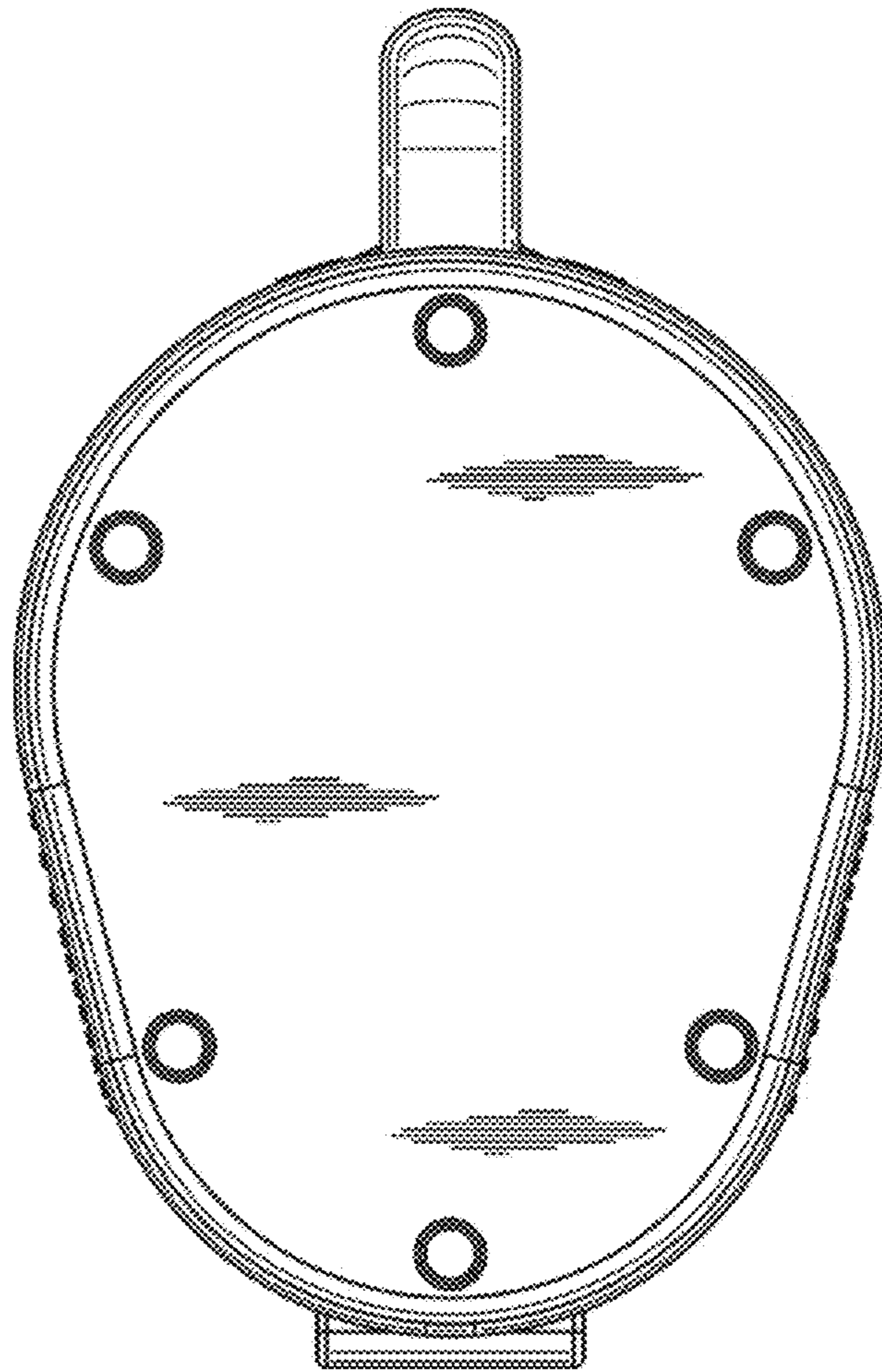


FIG. 7