



US00D825243S

(12) **United States Design Patent** (10) **Patent No.:** **US D825,243 S**  
**Yoon** (45) **Date of Patent:** **\*\* Aug. 14, 2018**

(54) **HOT AND COLD WATER PURIFIER**

(71) Applicant: **WINIX INC.**, Siheung-si, Gyeonggi-do (KR)

(72) Inventor: **Chul Min Yoon**, Siheung-si (KR)

(73) Assignee: **WINIX, INC.**, Siheung-Si, Gyeonggi-Do (KR)

(\*\*) Term: **15 Years**

(21) Appl. No.: **29/569,408**

(22) Filed: **Jun. 27, 2016**

(30) **Foreign Application Priority Data**

Mar. 29, 2016 (KR) ..... 30-2016-0014541

(51) **LOC (11) Cl.** ..... **07-01**

(52) **U.S. Cl.**  
USPC ..... **D7/308**; D7/311; D7/307; D23/207

(58) **Field of Classification Search**  
USPC ..... D7/305-311, 313, 300; D15/82;  
222/129.1, 146.6; 99/295; D23/207  
CPC ... C02F 1/008; B67D 1/36; B67D 2210/0065;  
B67D 1/0864; B67D 1/0009; B67D  
3/0061; A47J 31/46; A47J 31/4482; A47J  
31/369; A47J 31/407; A47J 31/10; A47J  
31/467; A47J 31/0615; A47J 31/32  
See application file for complete search history.

(56) **References Cited**

**U.S. PATENT DOCUMENTS**

D206,519 S \* 12/1966 Wolfe ..... D7/308  
D233,271 S \* 10/1974 Holcomb ..... D7/308  
D261,390 S \* 10/1981 Harvill ..... D7/307  
D272,975 S \* 3/1984 Miller ..... D7/309  
D335,062 S \* 4/1993 Kolada ..... D15/80

D367,585 S \* 3/1996 Piatnik ..... D7/300  
D368,617 S \* 4/1996 Jackson ..... D7/306  
D451,748 S \* 12/2001 Holderfield ..... D7/307  
D453,088 S \* 1/2002 Bell ..... D7/307  
D486,687 S \* 2/2004 Strandell ..... D7/307  
D486,880 S \* 2/2004 Gracias ..... D23/207  
D699,066 S \* 2/2014 Arora ..... D7/307  
D717,911 S \* 11/2014 Moon ..... D23/207  
D735,527 S \* 8/2015 Palermo ..... D7/309  
D751,849 S \* 3/2016 Dunham ..... D7/307  
D776,970 S \* 1/2017 Broen ..... D7/307  
D789,133 S \* 6/2017 Gnadinger ..... D7/307  
D789,142 S \* 6/2017 Broen ..... D7/307  
D799,880 S \* 10/2017 Broen ..... D7/307  
D813,346 S \* 3/2018 Lee ..... D23/207  
2012/0222999 A1 \* 9/2012 Ha ..... C02F 1/008  
210/175  
2017/0057802 A1 \* 3/2017 Lee ..... B67D 1/0085  
2018/0056217 A1 \* 3/2018 Park ..... B01F 7/0025

\* cited by examiner

*Primary Examiner* — Marianne Pandozzi

(74) *Attorney, Agent, or Firm* — Lewis Roca Rothgerber Christie LLP

(57) **CLAIM**

The ornamental design for a hot and cold water purifier, as shown and described.

**DESCRIPTION**

FIG. 1 is a perspective view of my design;  
FIG. 2 is a front view thereof;  
FIG. 3 is a rear view thereof;  
FIG. 4 is a left-side view thereof;  
FIG. 5 is a right-side view thereof;  
FIG. 6 is a top view thereof; and,  
FIG. 7 is a bottom view thereof.  
The broken lines shown represent unclaimed subject matter and form no part of the claimed design.

**1 Claim, 7 Drawing Sheets**

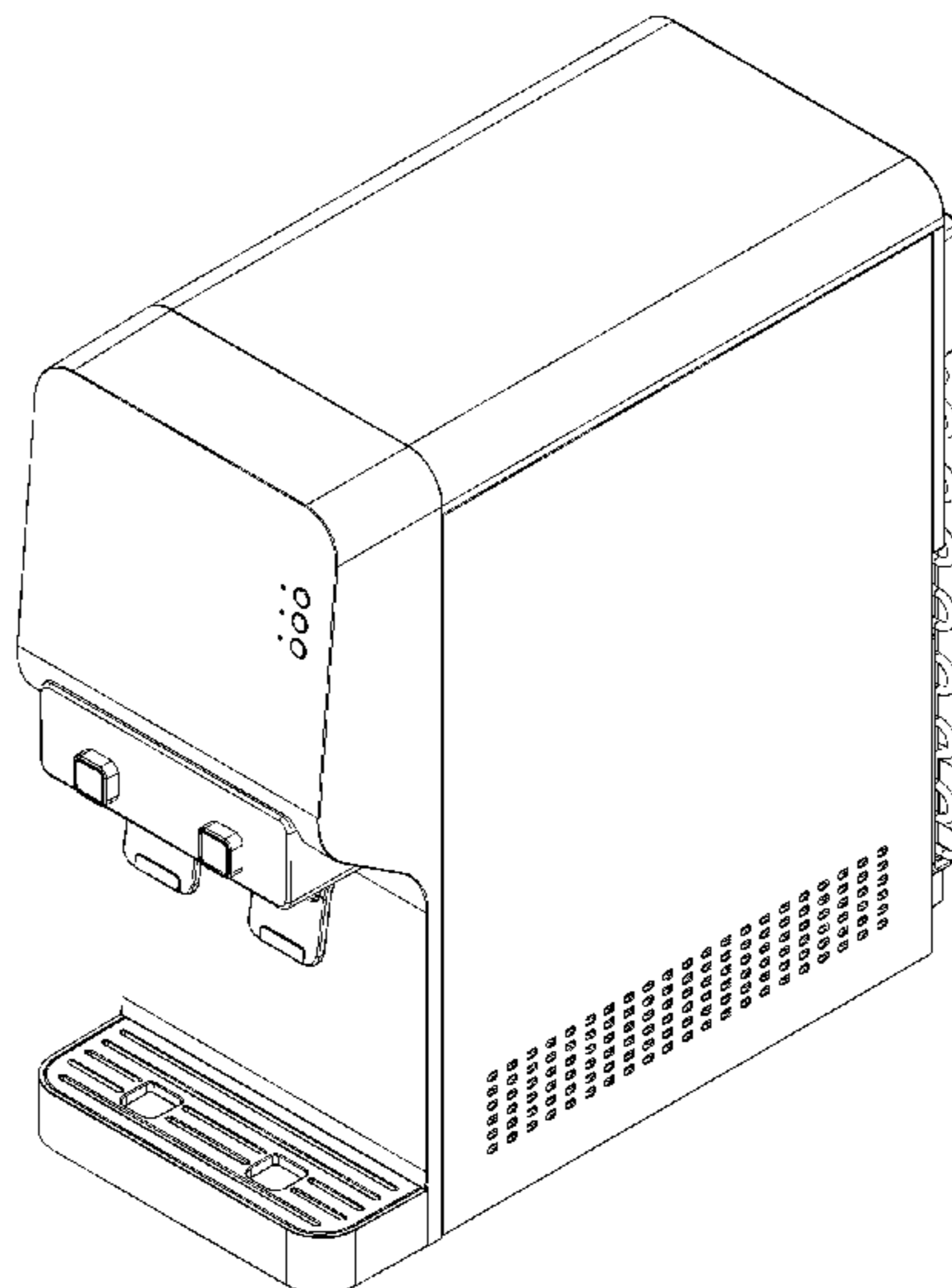


FIG.1

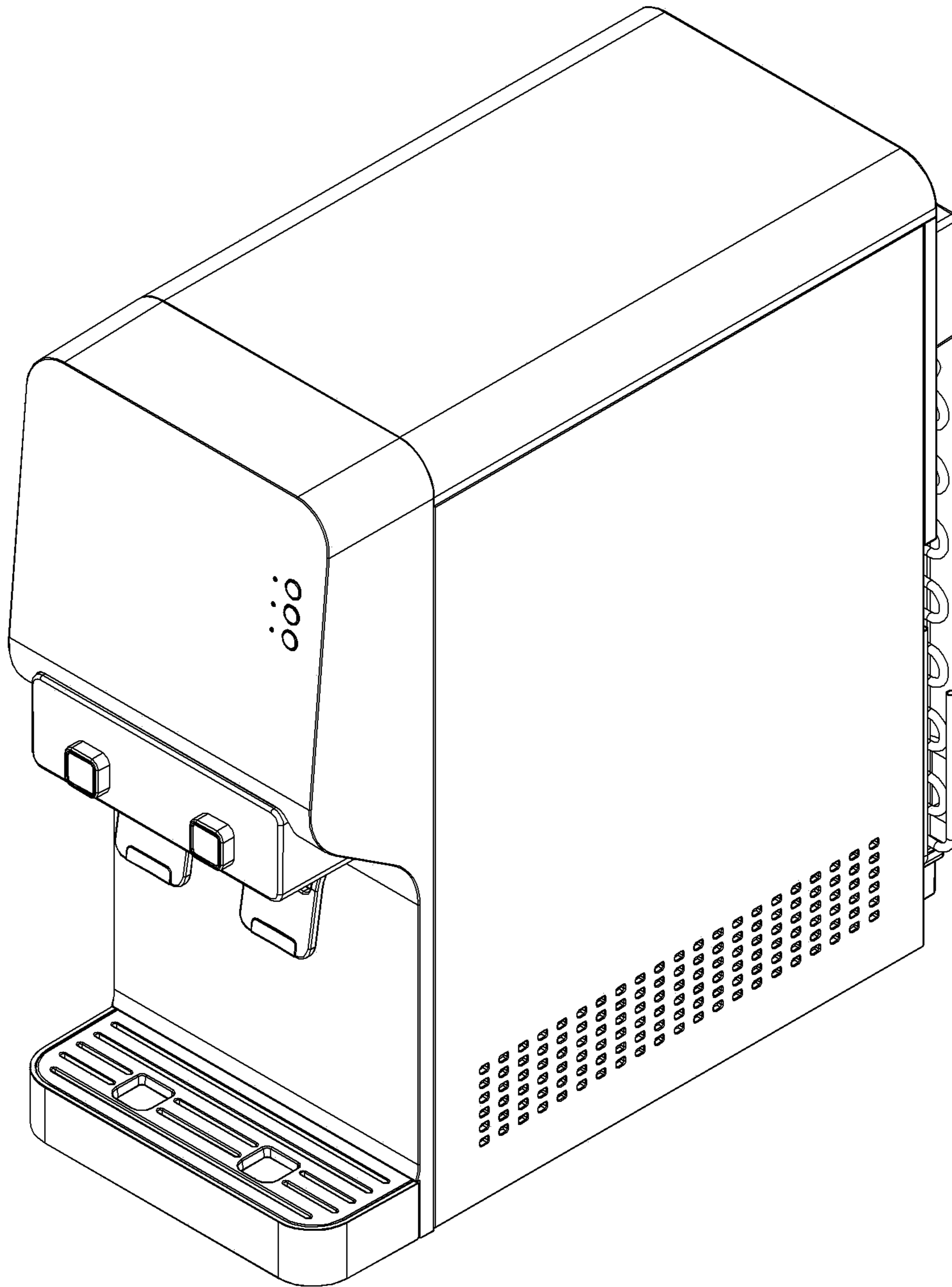


FIG.2

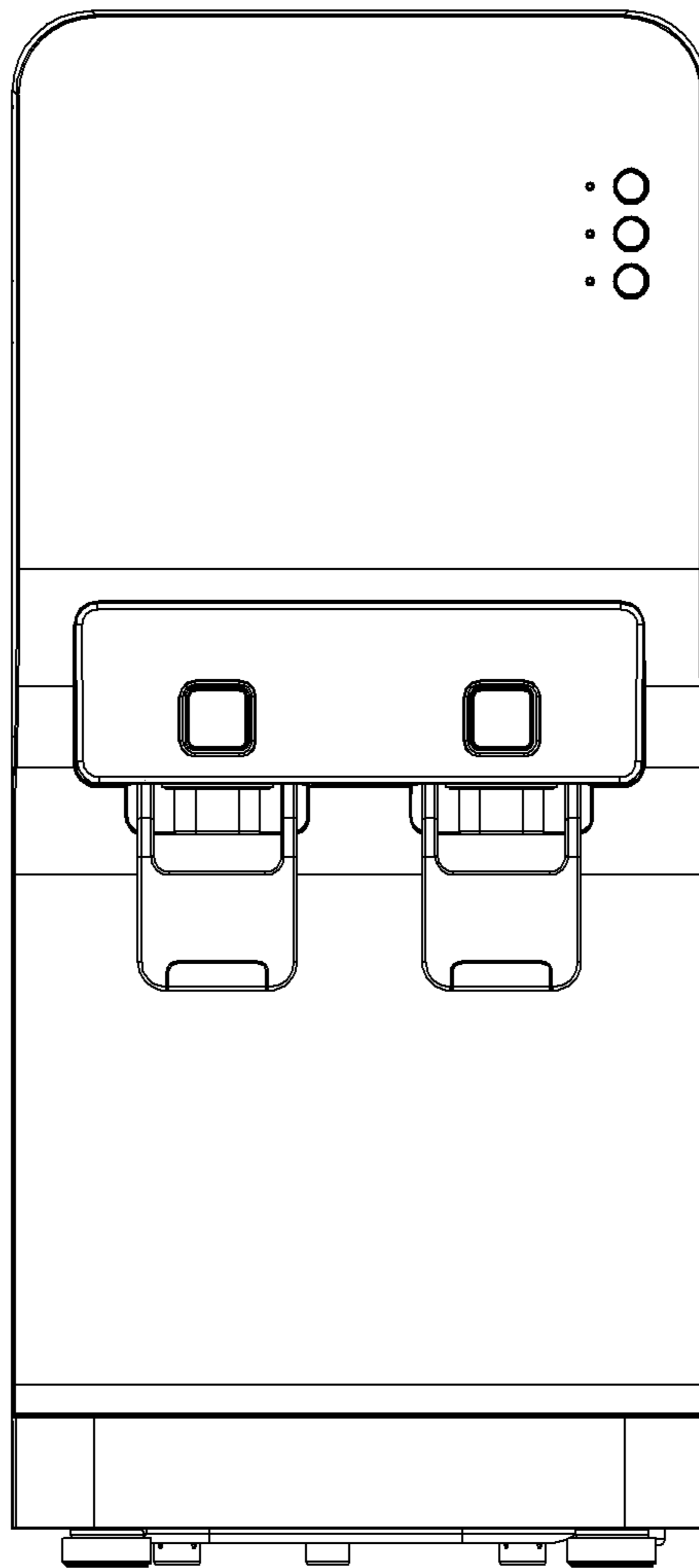


FIG.3

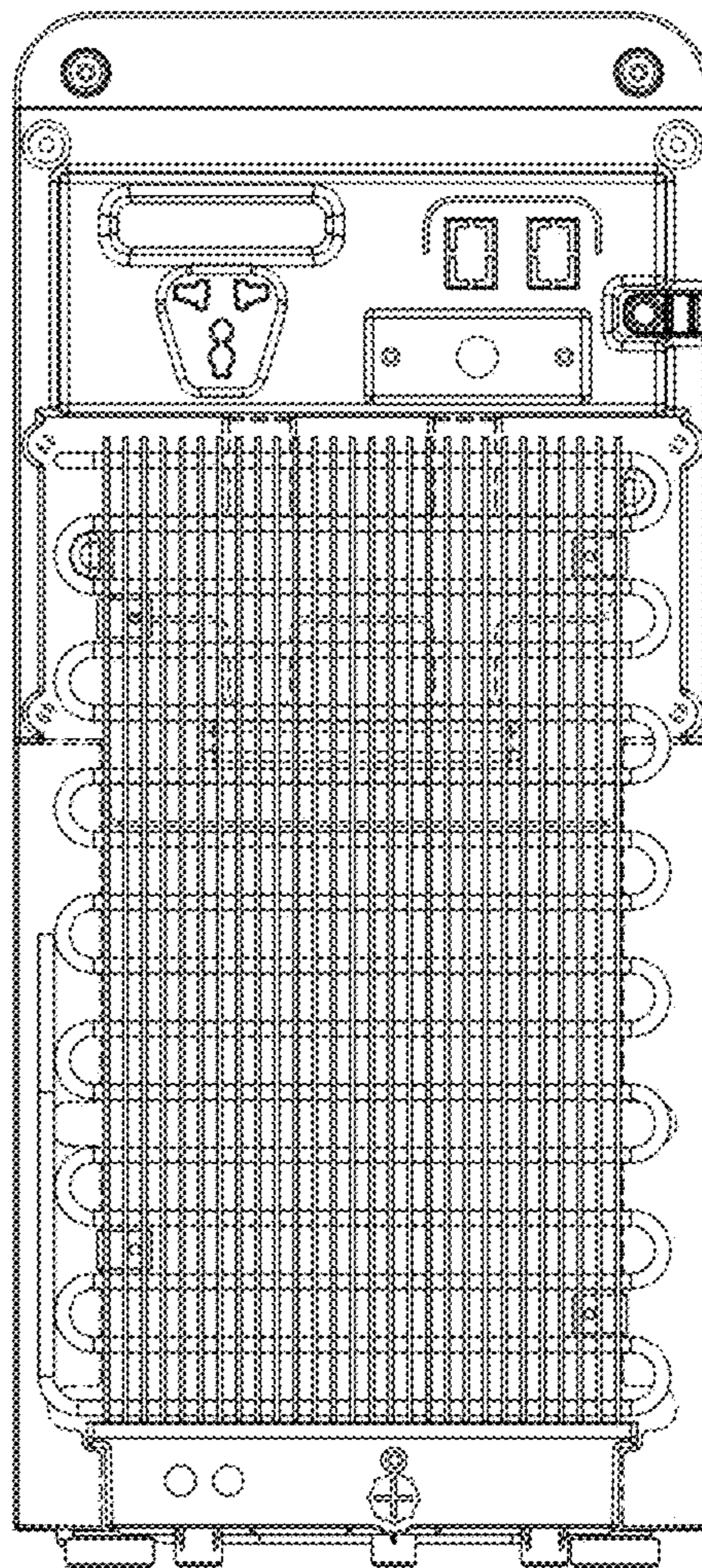


FIG.4

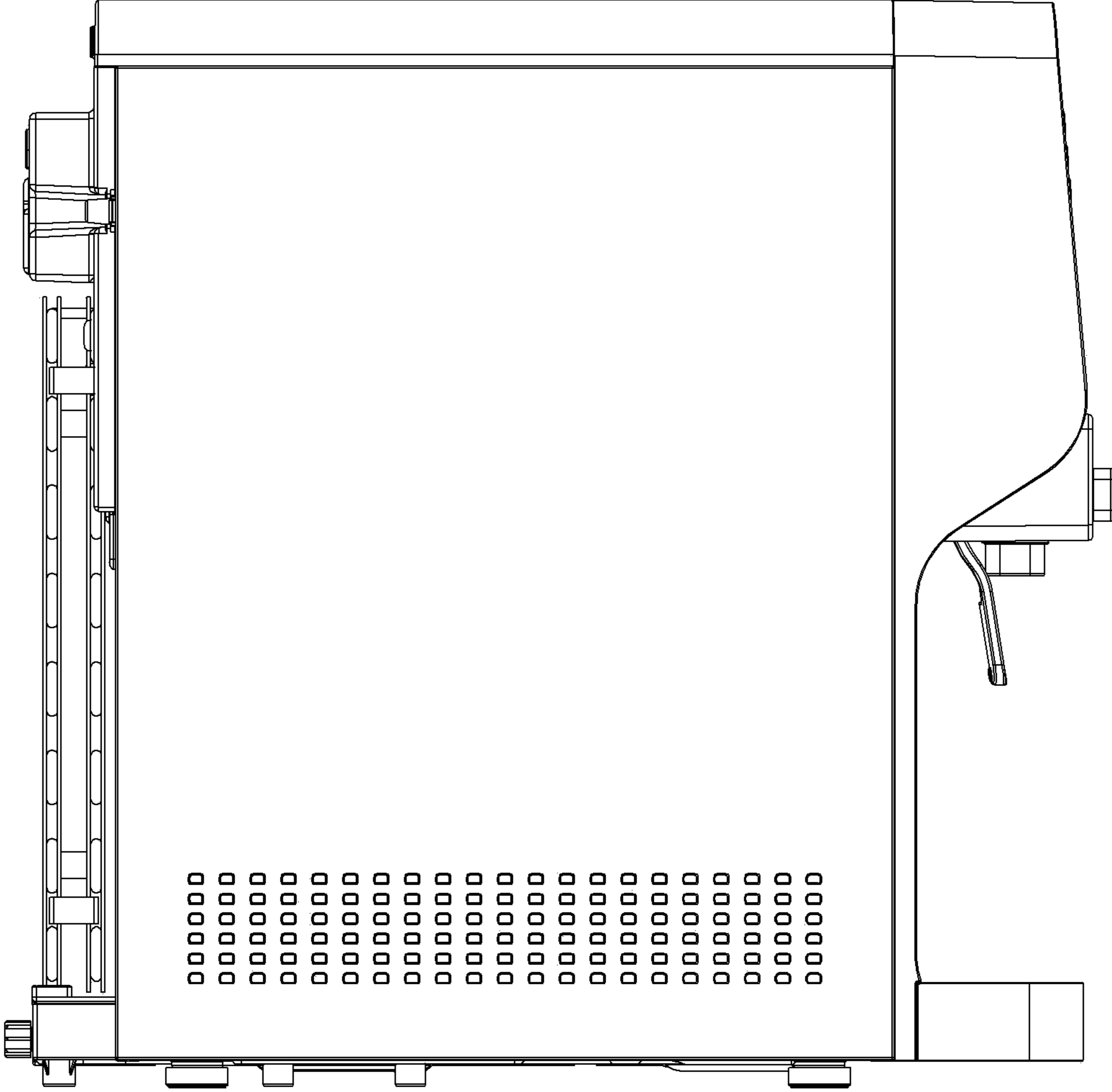


FIG.5

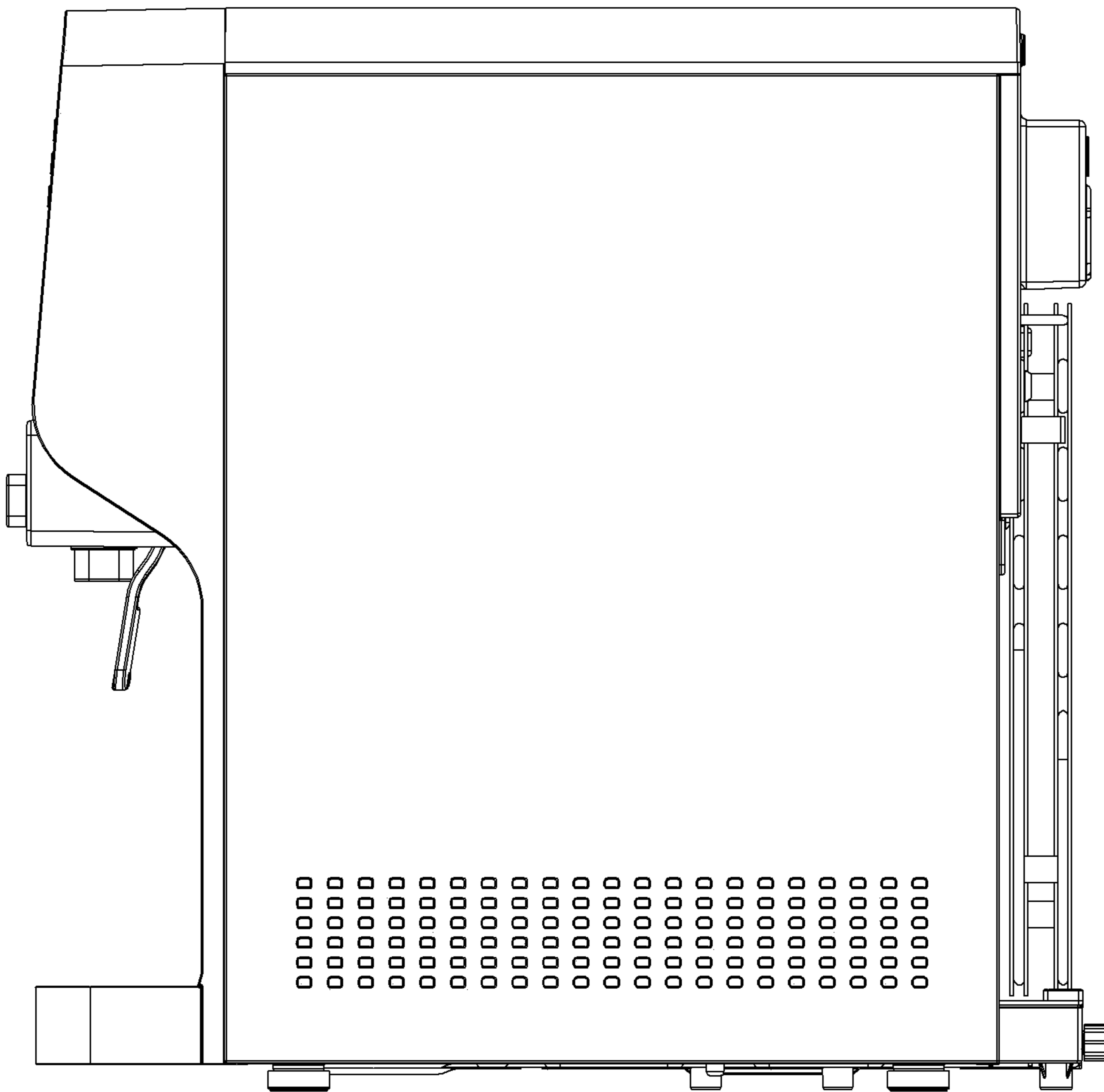


FIG.6

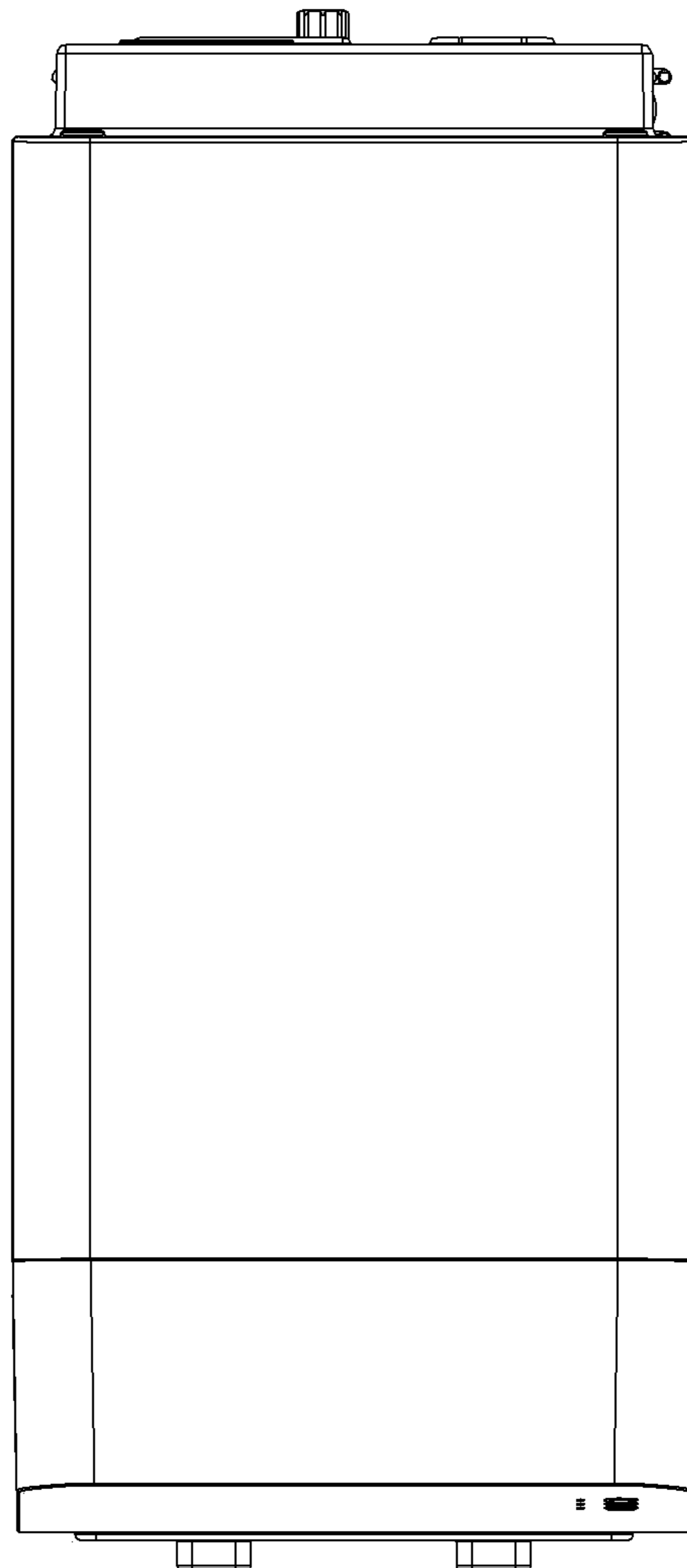


FIG. 7

