



US00D825242S

(12) **United States Design Patent**  
**Bosheng**

(10) **Patent No.:** **US D825,242 S**

(45) **Date of Patent:** **\*\* Aug. 14, 2018**

(54) **COCKTAIL SHAKER AND CHILLER APPARATUS**

(71) Applicant: **Conair Corporation**, Stamford, CT (US)

(72) Inventor: **Tang Bosheng**, Jiangmen (CN)

(73) Assignee: **CONAIR CORPORATION**, Stamford, CT (US)

(\*\*) Term: **15 Years**

(21) Appl. No.: **29/567,832**

(22) Filed: **Jun. 13, 2016**

(51) **LOC (11) Cl.** ..... **07-01**

(52) **U.S. Cl.**  
USPC ..... **D7/300.1**

(58) **Field of Classification Search**  
USPC ..... D7/507, 509, 510, 511, 523, 529, 532,  
D7/608, 300, 300.1, 591, 592, 598, 396.1,  
D7/396.2, 213, 900, 396.6, 534, 400,  
D7/553.4, 553.6, 503; D9/435, 904, 905,  
D9/447, 449, 453, 520, 549, 726;  
220/703, 713, 592.17, 504, 505, 527,  
220/62.12, 625; 222/547, 129.1

(Continued)

(56) **References Cited**

**U.S. PATENT DOCUMENTS**

1,657,927 A \* 1/1928 Heinzen ..... A47J 43/27  
220/506

6,035,659 A 3/2000 Fernandez  
(Continued)

**FOREIGN PATENT DOCUMENTS**

WO 201237184 A2 3/2012  
WO 201374950 A1 5/2013  
WO 201517645 A1 2/2015

*Primary Examiner* — Daniel D Bui

*Assistant Examiner* — Andrew Kerr

(74) *Attorney, Agent, or Firm* — Lawrence Cruz, Esq.;  
Joseph W. Schmidt, P.C.

(57) **CLAIM**

The ornamental design for a cocktail shaker and chiller apparatus, as shown and described.

**DESCRIPTION**

FIG. 1 is an exploded perspective view of the cocktail shaker and chiller apparatus in accordance with the principles of the present disclosure illustrating the outer vessel, the container and the cap, and showing our design;

FIG. 2 is an exploded side elevation view of the cocktail shaker and chiller apparatus (the opposite side elevation view being a mirror image thereof);

FIG. 3 is an exploded top plan view of the cocktail shaker and chiller apparatus;

FIG. 4 is an exploded bottom plan view of the cocktail shaker and chiller apparatus;

FIG. 5 is an exploded perspective view of the cocktail shaker and chiller apparatus illustrating the container mounted to the outer vessel;

FIG. 6 is a perspective view of the cocktail shaker and chiller apparatus in the assembled condition illustrating the outer vessel, the container and the cap;

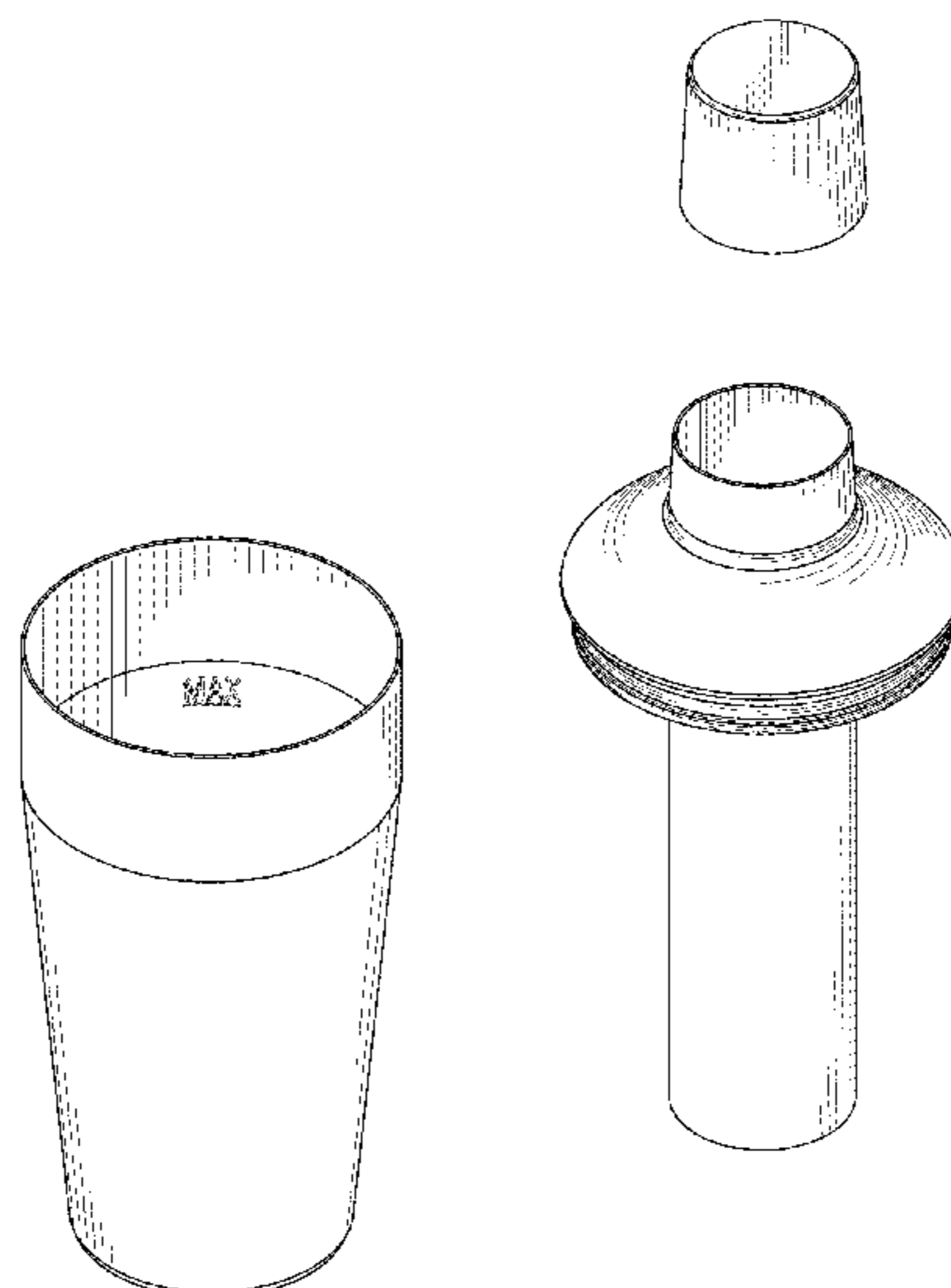
FIG. 7 is a side elevation view of the cocktail shaker and chiller apparatus in the assembled condition (the opposite side, elevation view being a mirror image thereof);

FIG. 8 is a top plan view of the cocktail shaker and chiller apparatus in the assembled condition; and,

FIG. 9 is a bottom plan view of the cocktail shaker and chiller apparatus in the assembled condition.

The broken lines in the drawing views represent unclaimed portions of the cocktail shaker and chiller apparatus which are included for the purpose of illustrating unclaimed environment only, and forms no part of the claimed design.

**1 Claim, 7 Drawing Sheets**



(58) **Field of Classification Search**

CPC ..... A47G 19/22; A47G 19/2211; A45F 3/16;  
A47J 43/27

See application file for complete search history.

(56) **References Cited**

U.S. PATENT DOCUMENTS

D483,982	S	12/2003	Irvine	
D495,186	S	8/2004	Poupel et al.	
6,913,165	B2	7/2005	Linz et al.	
D571,151	S	6/2008	Lopez	
D663,216	S	7/2012	Considine et al.	
D727,671	S *	4/2015	Gamelli .....	D7/300.1
D754,999	S *	5/2016	Gamelli .....	D7/300.1
D767,930	S *	10/2016	Gamelli .....	D7/300.1
D769,043	S *	10/2016	Gamelli .....	D7/300.1
D778,095	S *	2/2017	Gamelli .....	D7/300.1
2004/0066705	A1 *	4/2004	Linz .....	A47J 43/27 366/130
2007/0251956	A1	11/2007	Wasserman et al.	
2008/0023348	A1	1/2008	Herzog et al.	
2012/0147693	A1	6/2012	Bahlenhorst et al.	
2013/0098784	A1	4/2013	Spendlow et al.	
2013/0126369	A1 *	5/2013	Gamelli .....	B65D 43/02 206/217
2013/0163370	A1	6/2013	Shaifer et al.	
2014/0312040	A1	10/2014	Gamelli	
2014/0314937	A1	10/2014	Wang	
2015/0034658	A1	2/2015	Vastardis	
2016/0058247	A1	3/2016	Hogan	
2016/0166115	A1	6/2016	Schlesinger et al.	
2016/0270600	A1	9/2016	Pappas et al.	

\* cited by examiner

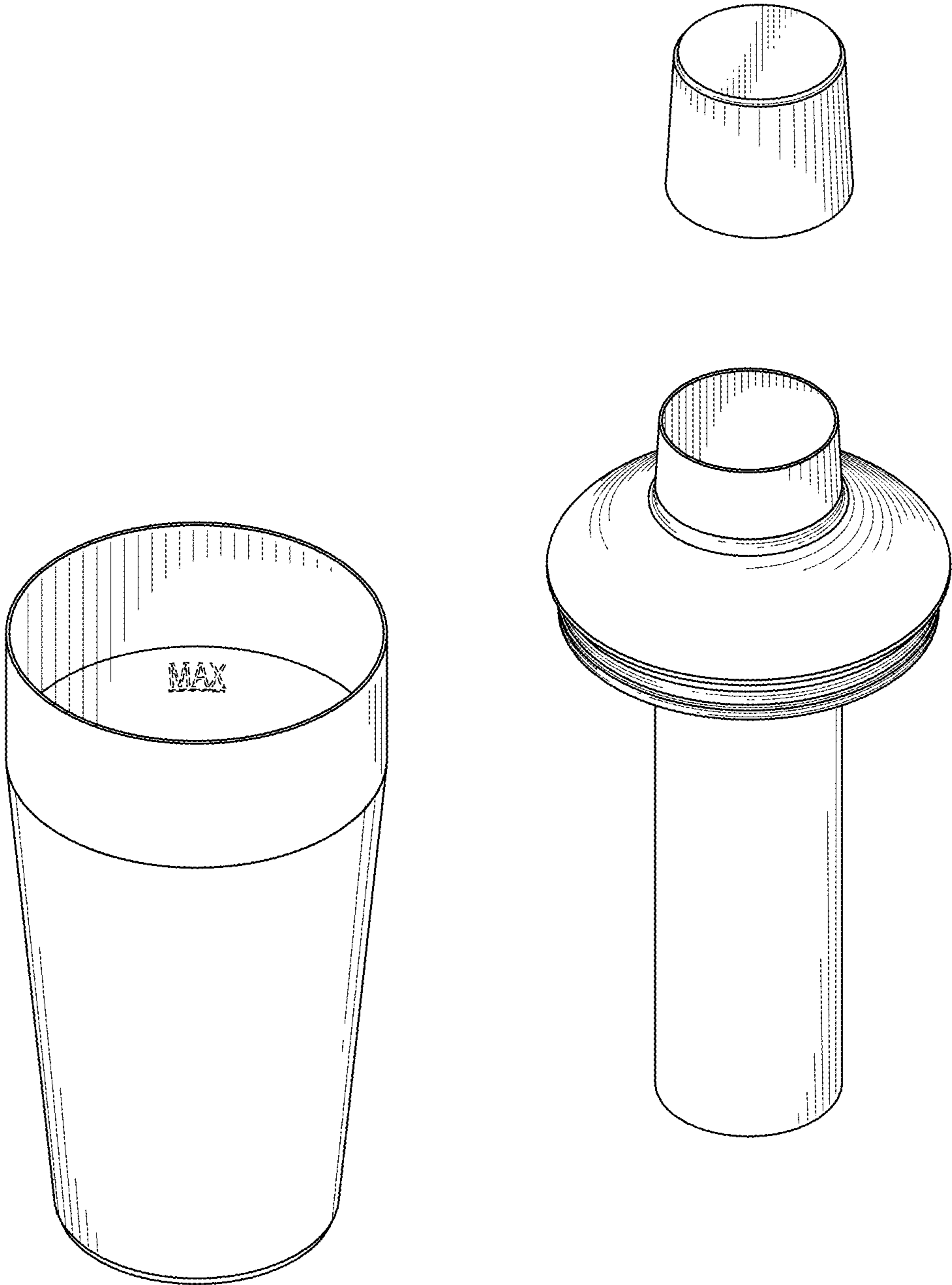
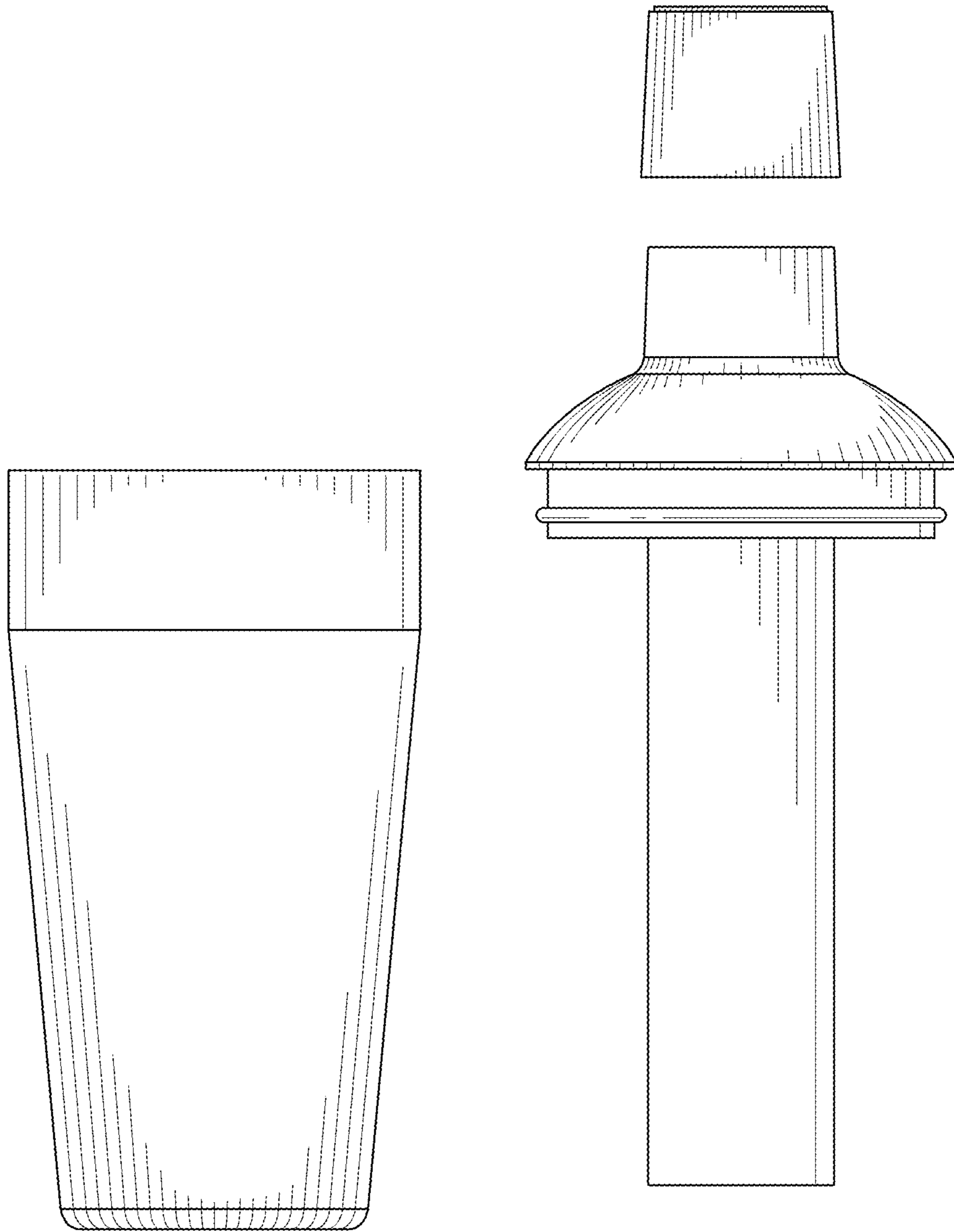
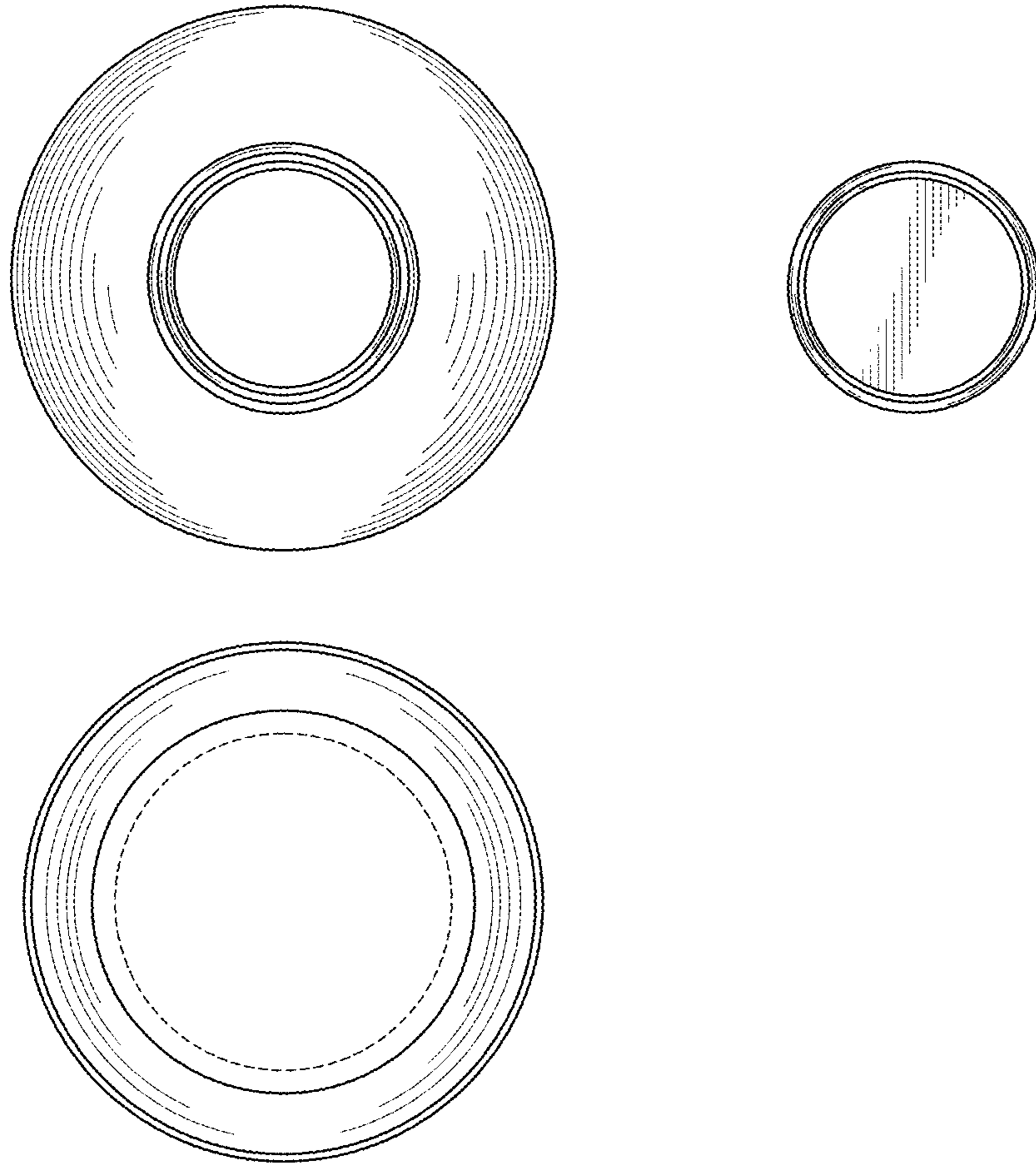


FIG. 1

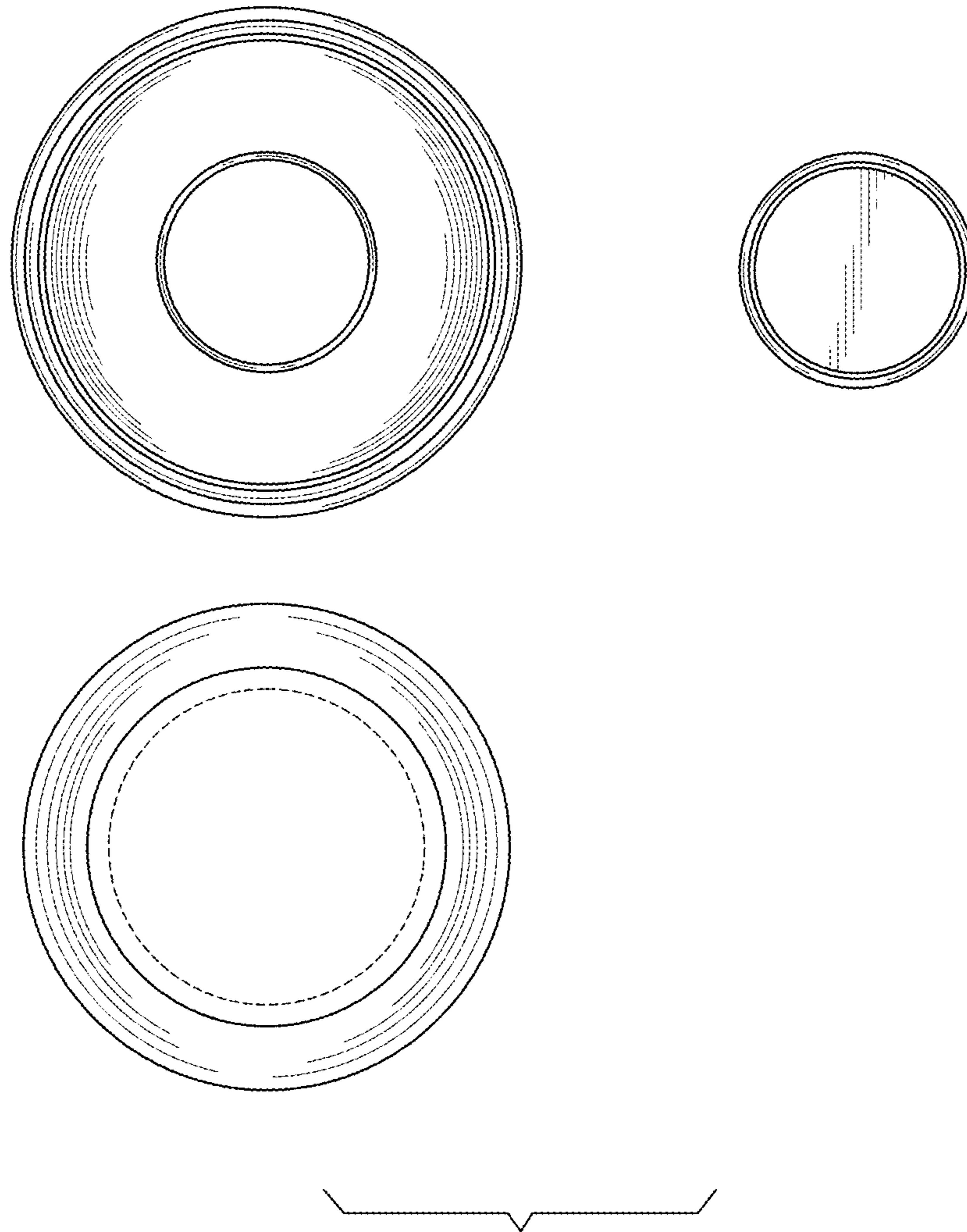


**FIG. 2**

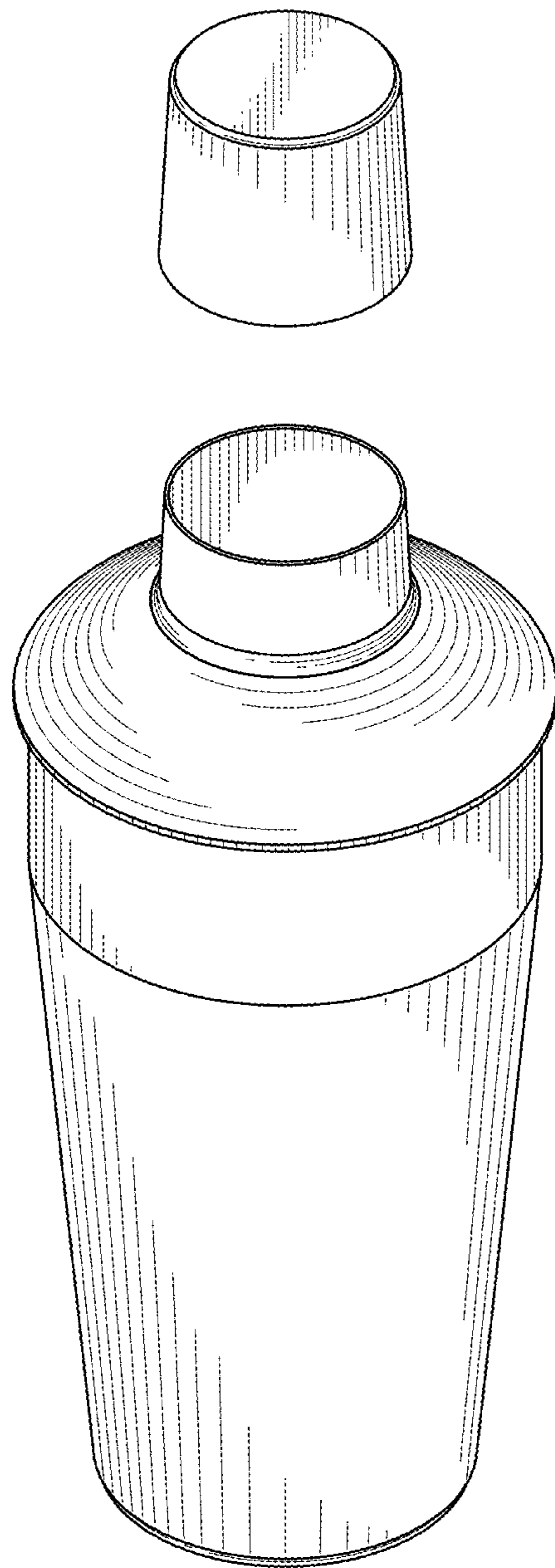


**FIG. 3**

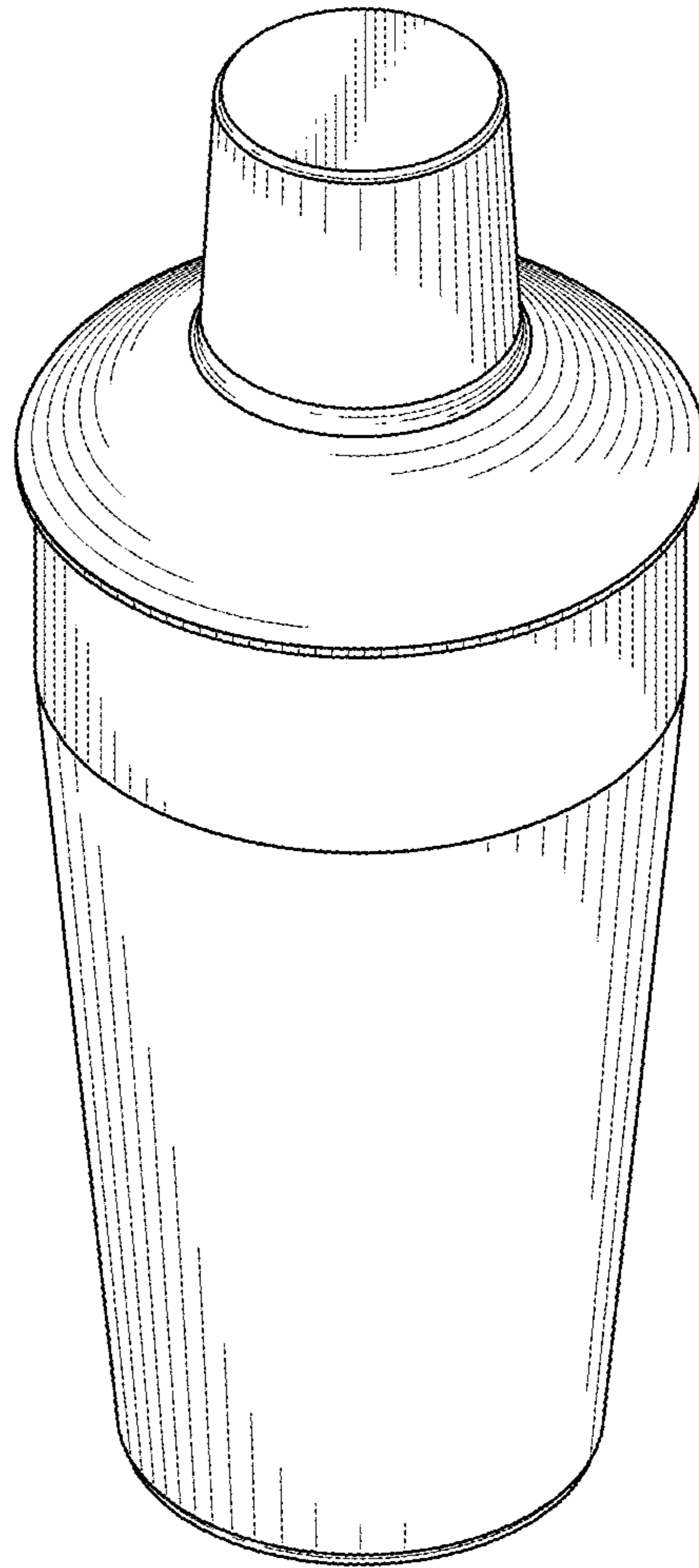




**FIG. 4**

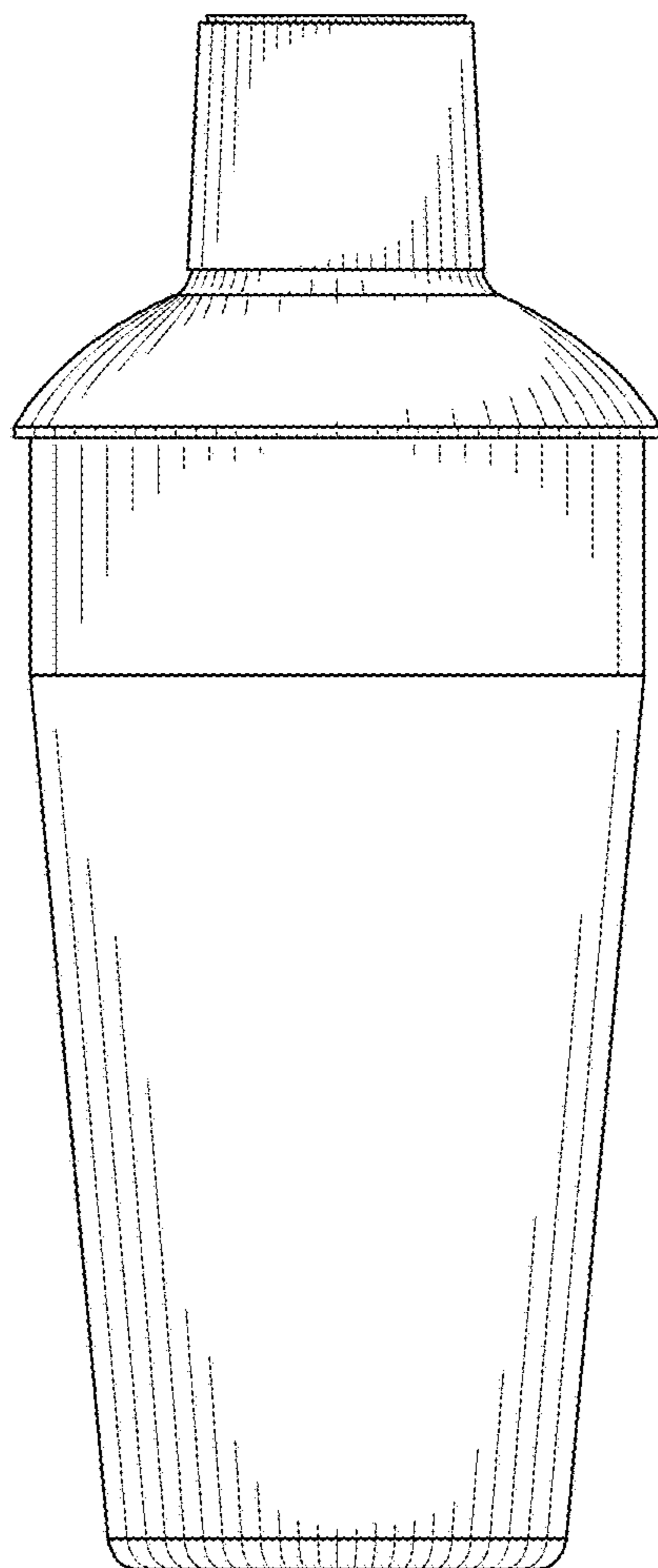


**FIG. 5**

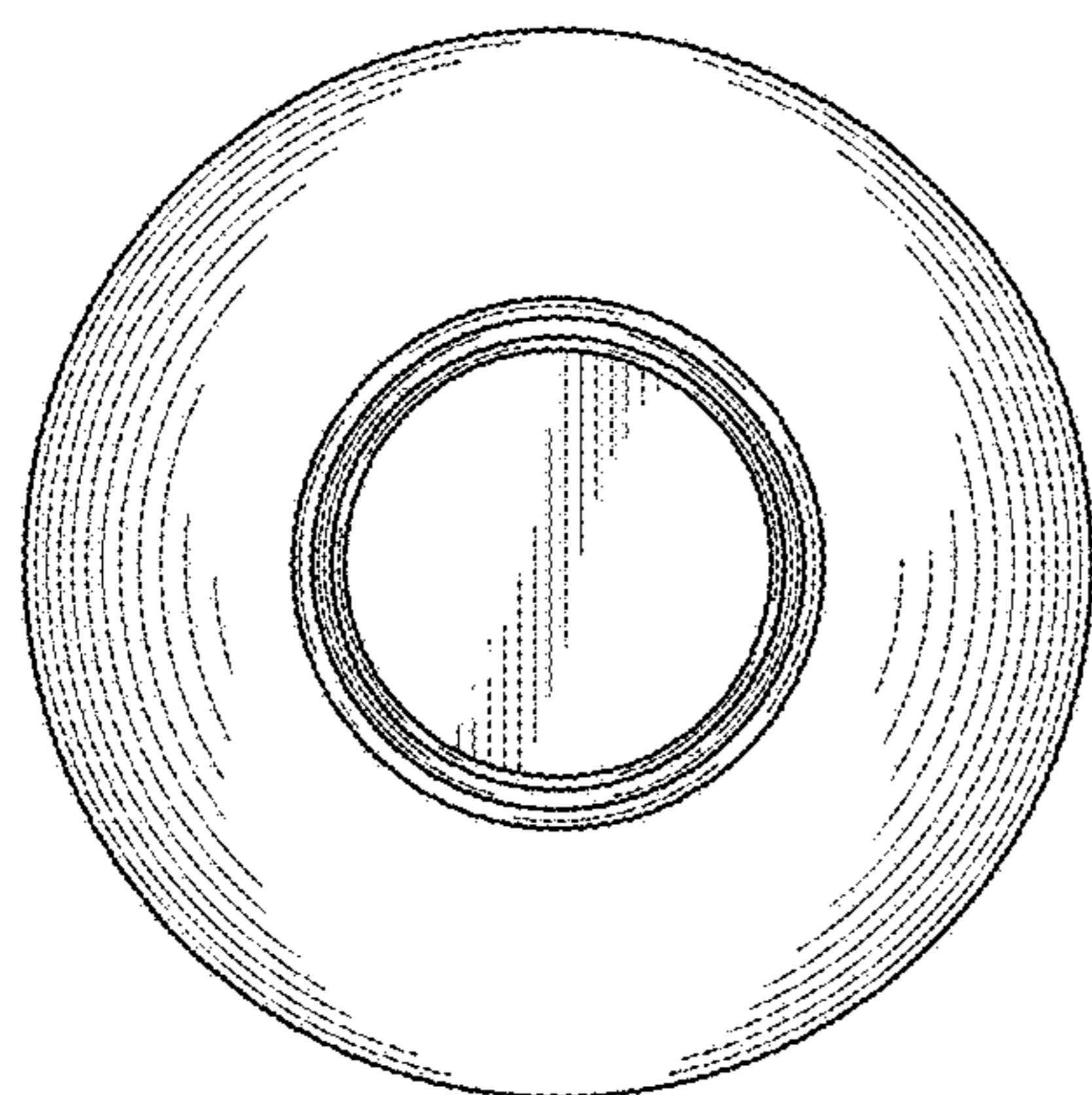


**FIG. 6**

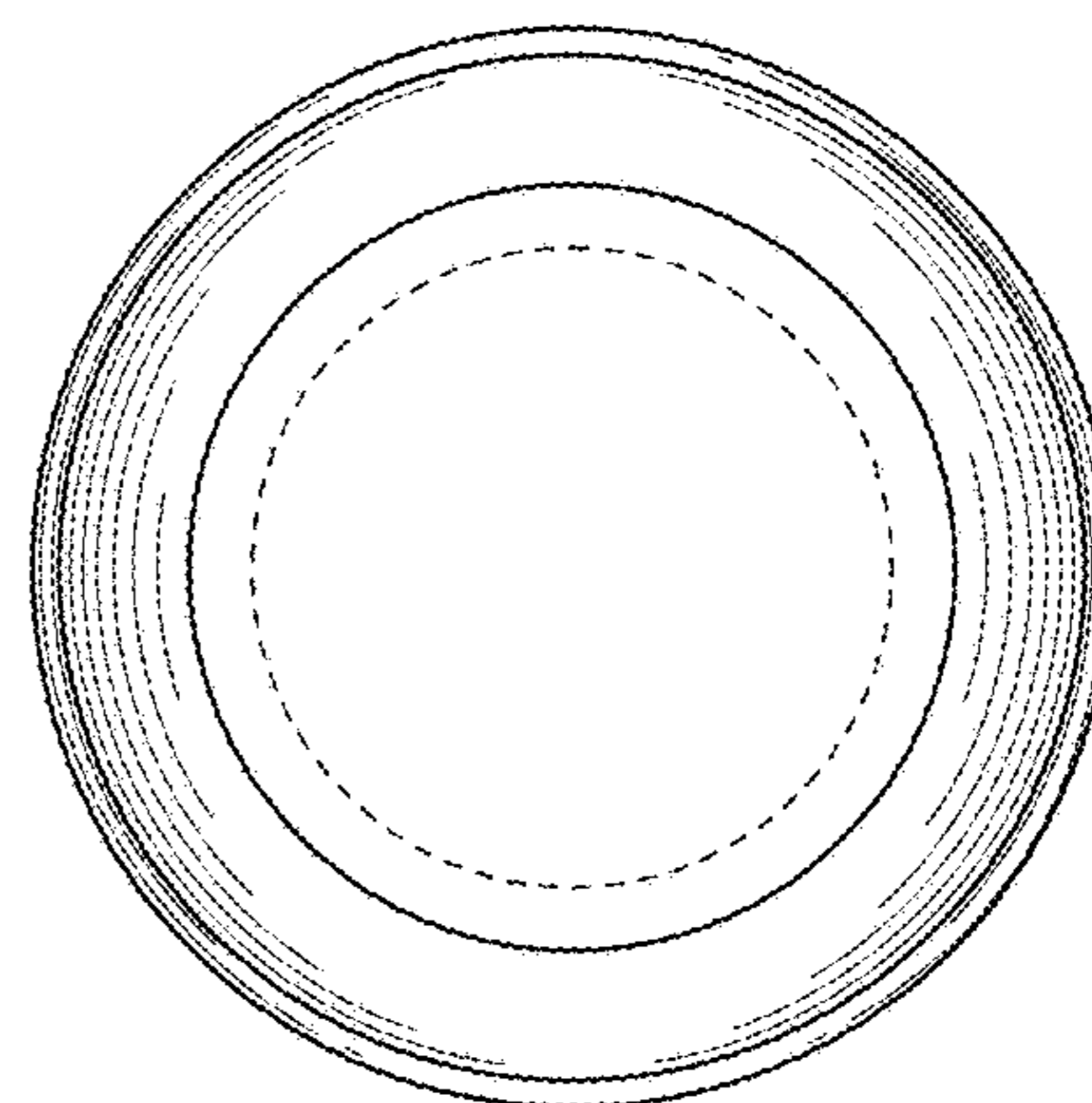




**FIG. 7**



**FIG. 8**



**FIG. 9**