



US00D825240S

(12) **United States Design Patent**  
**Arthur**

(10) **Patent No.:** **US D825,240 S**

(45) **Date of Patent:** **\*\* Aug. 14, 2018**

(54) **WORKSTATION SCREEN**

(71) Applicant: **Williams-Sonoma, Inc.**, San Francisco, CA (US)

(72) Inventor: **Emily S. Arthur**, Los Angeles, CA (US)

(73) Assignee: **Williams-Sonoma, Inc.**, San Francisco, CA (US)

(\*\*) Term: **15 Years**

(21) Appl. No.: **29/555,191**

(22) Filed: **Feb. 19, 2016**

(51) **LOC (11) Cl.** ..... **06-06**

(52) **U.S. Cl.**  
USPC ..... **D6/714**

(58) **Field of Classification Search**  
USPC ..... D6/332, 640, 643, 643.1, 699.5, 702, D6/703.3, 705.4, 705.5, 706, 714; D25/58, 138  
CPC ..... A47B 21/02; A47B 96/04; A47B 96/20; A47B 2200/01; A47B 2200/12; A47G 5/00  
See application file for complete search history.

(56) **References Cited**

**U.S. PATENT DOCUMENTS**

D262,929 S \* 2/1982 Woudstra ..... D6/703.3  
D299,794 S \* 2/1989 Helstab ..... D6/332

D299,795 S \* 2/1989 Helstab ..... D6/332  
D514,849 S \* 2/2006 Dortch ..... D6/703.3  
D564,764 S \* 3/2008 Springer ..... D6/332  
D702,068 S \* 4/2014 Mitten ..... D6/706  
D798,085 S \* 9/2017 Arthur ..... D6/648  
2002/0062933 A1\* 5/2002 Insalaco ..... A47G 5/00  
160/351

\* cited by examiner

*Primary Examiner* — Mary Ann Calabrese

(74) *Attorney, Agent, or Firm* — Cook Alex Ltd.; R. Blake Johnston

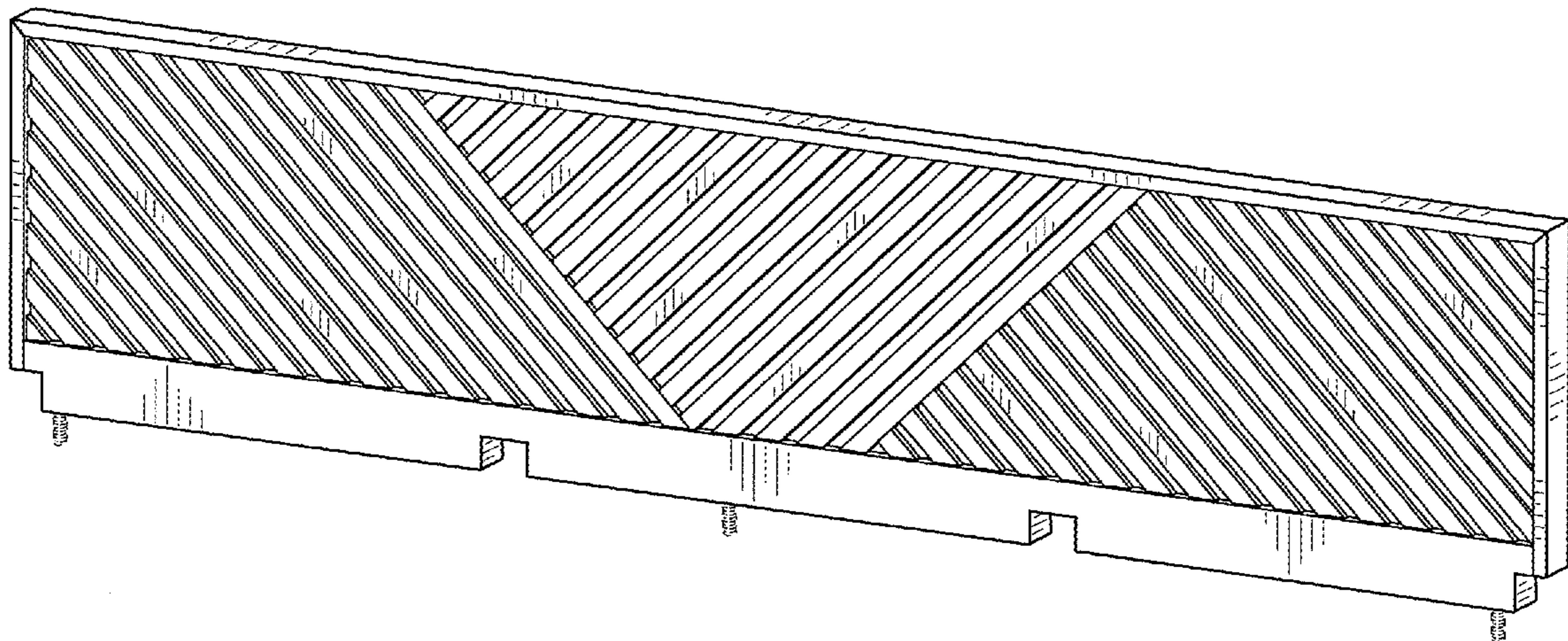
(57) **CLAIM**

The ornamental design for a workstation screen, as shown and described.

**DESCRIPTION**

FIG. 1 is a perspective view of the workstation screen; FIG. 2 is a front elevational view of the workstation screen; FIG. 3 is a rear elevational view of the workstation screen; FIG. 4 is a left side elevational view of the workstation screen; FIG. 5 is a right side elevational view of the workstation screen; FIG. 6 is a top plan view of the workstation screen; and, FIG. 7 is a bottom plan view of the workstation screen. The broken lines shown in the drawings are for illustrating portions of the workstation screen that form no part of the claimed design.

**1 Claim, 3 Drawing Sheets**



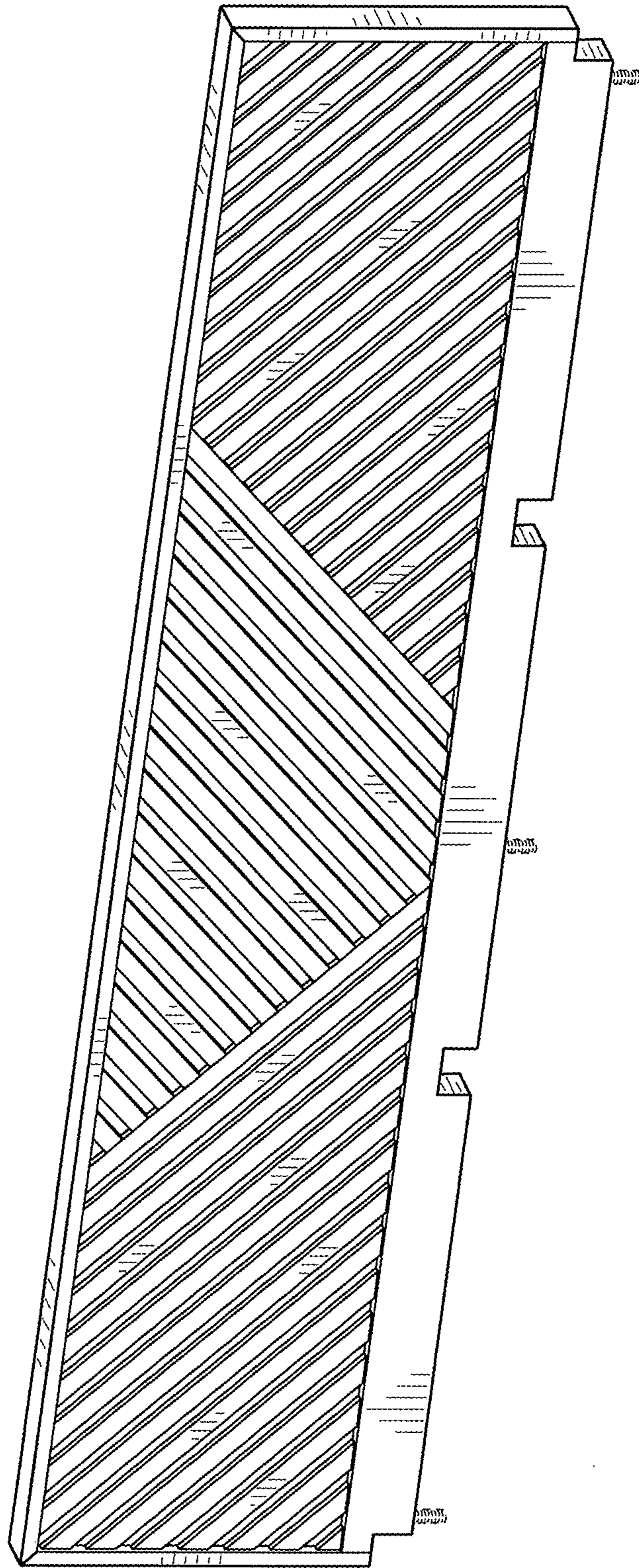


FIG. 1

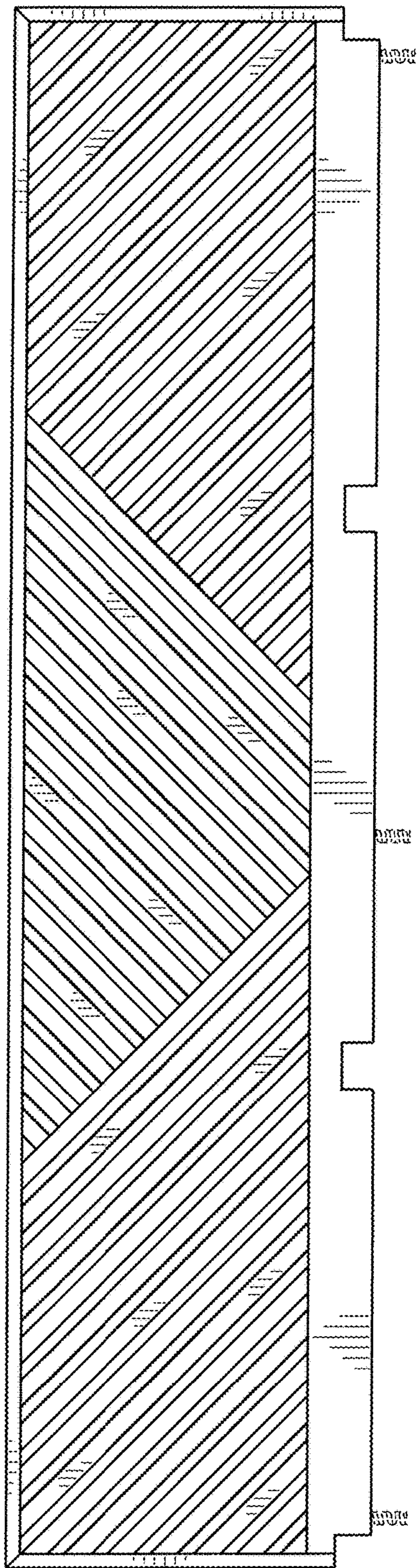


FIG. 2

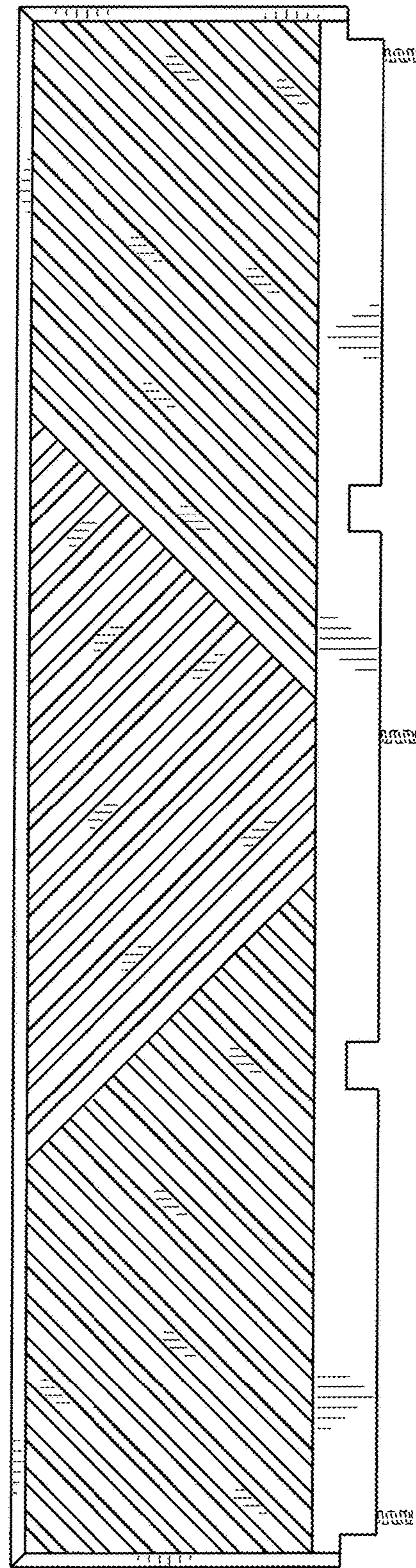


FIG. 3



FIG. 4



FIG. 5



FIG. 6

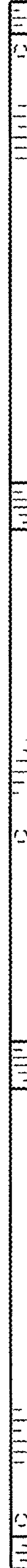


FIG. 7