



US00D825239S

(12) **United States Design Patent**
Hurford

(10) **Patent No.:** **US D825,239 S**

(45) **Date of Patent:** **** Aug. 14, 2018**

- (54) **DESK**
- (71) Applicant: **OKAMURA CORPORATION**,
Yokohama-shi, Kanagawa-ken (JP)
- (72) Inventor: **Alexander Hurford**, Yokohama (JP)
- (73) Assignee: **Okamura Corporation**, Yokohama-shi,
Kanagawa (JP)
- (**) Term: **15 Years**
- (21) Appl. No.: **29/606,706**
- (22) Filed: **Jun. 7, 2017**
- (51) **LOC (11) Cl.** **20-03**
- (52) **U.S. Cl.**
USPC **D6/704**; D6/653.2
- (58) **Field of Classification Search**
USPC D6/332, 641-643, 655, 655.11, 653.16,
D6/653.23, 654.16, 654.23, 655.16,
D6/655.23, 656.16, 656.19, 699, 714,
D6/653.2, 704, 705, 705.7; D14/217,
D14/234; D8/349, 354, 356
CPC A47B 7/00; A47B 13/08; A47B 13/10;
A47B 21/00; A47B 2009/006; A47B
11/00; A47B 2200/002; A47B 3/14; A47B
83/02; A47B 37/04; A47B 2200/0051;
A47B 2200/0052; A47B 2200/0053;
A47B 2200/0054; A47B 2200/0055;
A47B 21/02; A47B 21/06; A47B
2021/068
See application file for complete search history.

(56) **References Cited**

U.S. PATENT DOCUMENTS

- D96,518 S * 8/1935 Stevenson D6/656.19
- D288,504 S * 3/1987 Wright D6/704
- D344,198 S * 2/1994 Weinberger D6/656.19
- D402,836 S * 12/1998 Waddell D6/705

- D512,587 S * 12/2005 Frenkler D6/691.5
- D521,770 S * 5/2006 Madison D6/656.19
- D532,990 S * 12/2006 Sapp D14/305
- RE42,666 E * 9/2011 Saotome D6/656.17
- D657,592 S * 4/2012 Fukasawa D6/655.11
- D659,433 S * 5/2012 Starck D6/656.19
- D665,381 S * 8/2012 Akana D14/217
- D675,041 S * 1/2013 Mecherle D6/691
- D705,585 S * 5/2014 Kim D6/705.7
- D710,133 S * 8/2014 Scharer D6/656.17
- D719,767 S * 12/2014 Scharer D6/656.17
- D730,659 S * 6/2015 Sakurai D6/656.13
- D732,317 S * 6/2015 Chang D6/656.17
- 9,232,855 B2 * 1/2016 Ergun A47B 9/02
- 9,332,836 B1 * 5/2016 Zebarjad A47B 9/02
- D777,491 S * 1/2017 Brooks D6/705.7
- D794,358 S * 8/2017 Yamamoto D6/656
- D795,619 S * 8/2017 Labrosse D6/709
- D795,620 S * 8/2017 Labrosse D6/709

(Continued)

Primary Examiner — Karen E Kearney

Assistant Examiner — Sloan Rozin

(74) *Attorney, Agent, or Firm* — Sughrue Mion, PLLC

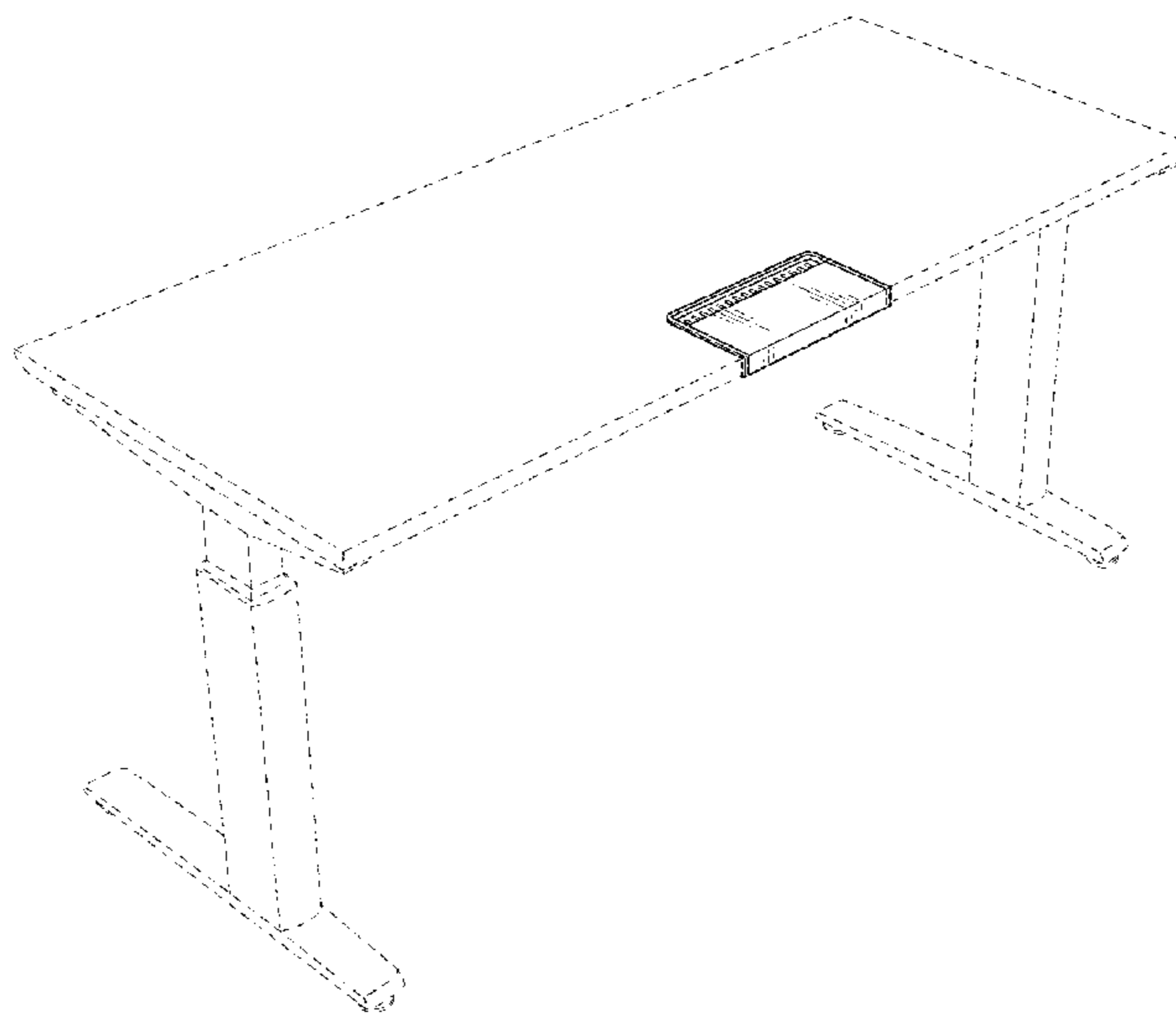
(57) **CLAIM**

The ornamental design for a desk, as shown and described.

DESCRIPTION

FIG. 1 is a perspective view from the top side of a desk.
 FIG. 2 is a perspective view from the bottom side thereof.
 FIG. 3 is a front elevation view thereof.
 FIG. 4 is a right side elevation view thereof. A left side elevation view is a mirror image of the right side elevation view.
 FIG. 5 is a top plan view thereof.
 FIG. 6 is a rear elevation view thereof.
 FIG. 7 is a bottom plan view thereof; and,
 FIG. 8 is a perspective view from the top and rear side thereof, showing the desk in a manner of use.
 The broken lines shown in the drawings illustrate portions of the desk that form no part of the claimed design.

1 Claim, 8 Drawing Sheets



(56)

References Cited

U.S. PATENT DOCUMENTS

9,723,920 B1 * 8/2017 Wu A47B 21/02
D807,083 S * 1/2018 Yamamoto D6/656.16
9,916,537 B2 * 3/2018 Riquelme Ruiz A47B 21/007
2008/0178779 A1 * 7/2008 Agee A47B 9/04
108/147
2012/0126072 A1 * 5/2012 Pettersson A47B 9/04
248/157
2012/0304900 A1 * 12/2012 Henriott A47B 13/06
108/91
2013/0081559 A1 * 4/2013 Roh A47B 97/00
108/50.02
2013/0221171 A1 * 8/2013 Lorenzen A47B 9/20
248/188.5
2014/0096706 A1 * 4/2014 Labrosse A47B 21/02
108/21
2015/0009652 A1 * 1/2015 Alexander H01R 35/04
362/95
2015/0282612 A1 * 10/2015 Rutz A47B 21/06
108/26
2015/0320198 A1 * 11/2015 Zebarjad A47B 9/00
108/147
2016/0022030 A1 * 1/2016 Scott A47B 21/06
108/25
2016/0037907 A1 * 2/2016 Ergun A47B 9/12
108/147
2016/0170402 A1 * 6/2016 Lindstrom A47B 9/00
700/275
2016/0260019 A1 * 9/2016 Riquelme Ruiz A47B 21/007
2016/0353880 A1 * 12/2016 Sigal A47B 21/02
2017/0071332 A1 * 3/2017 Herring A47B 21/02
2017/0156488 A1 * 6/2017 Ergun A47B 9/02
2017/0251806 A1 * 9/2017 Newman A47B 21/02
2017/0354248 A1 * 12/2017 Cohen A47B 21/06

* cited by examiner

FIG. 1

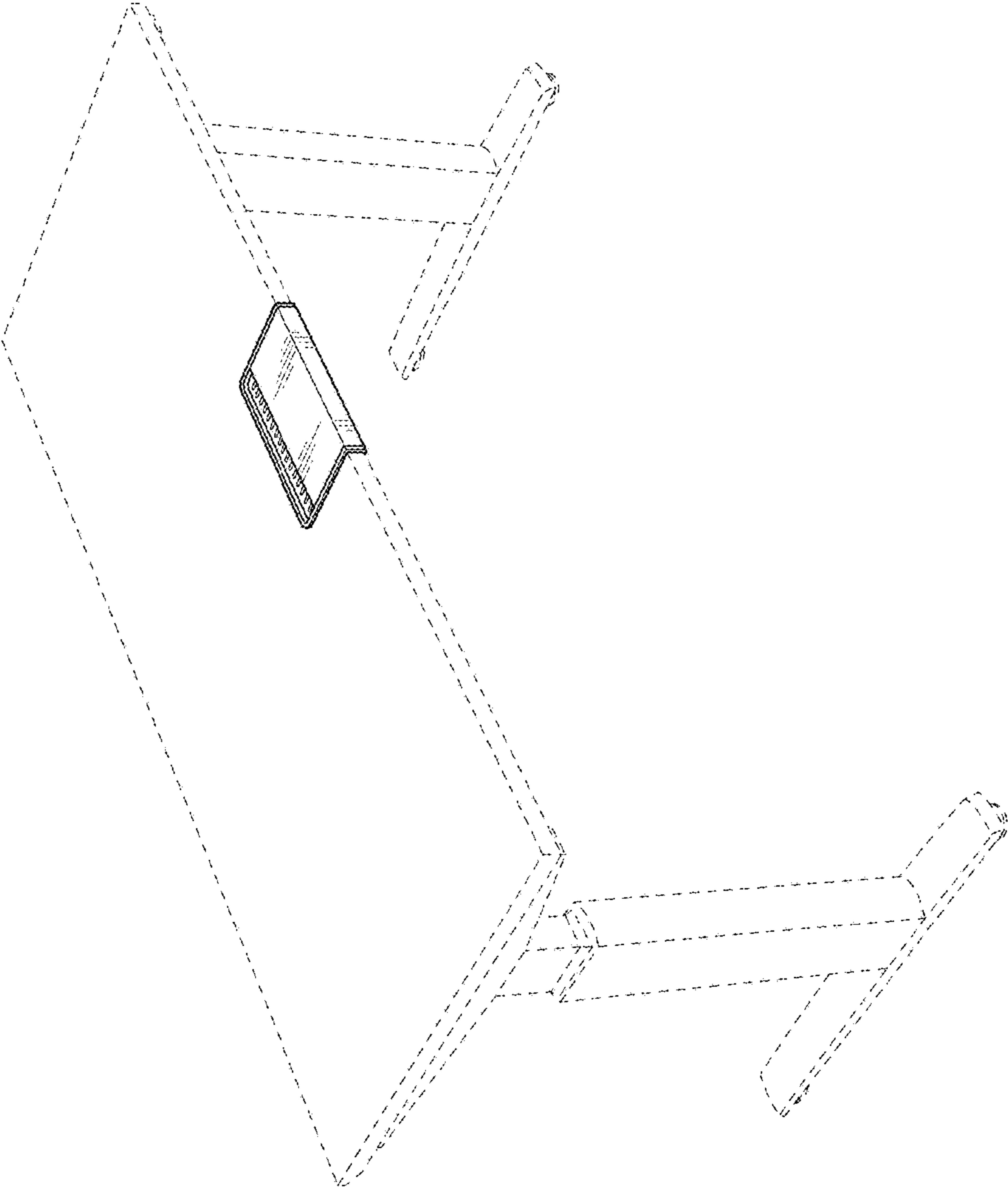


FIG. 2

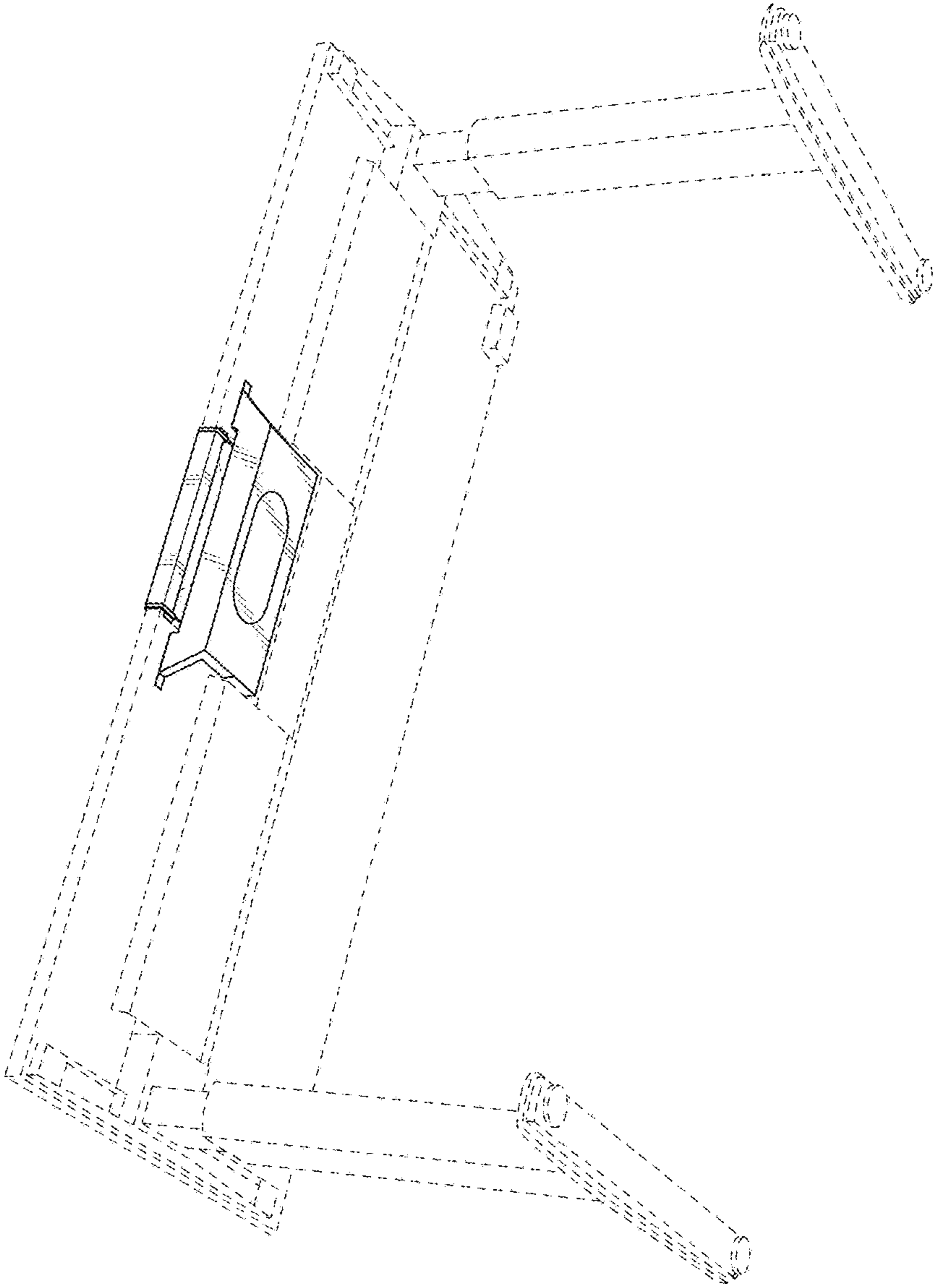


FIG. 3

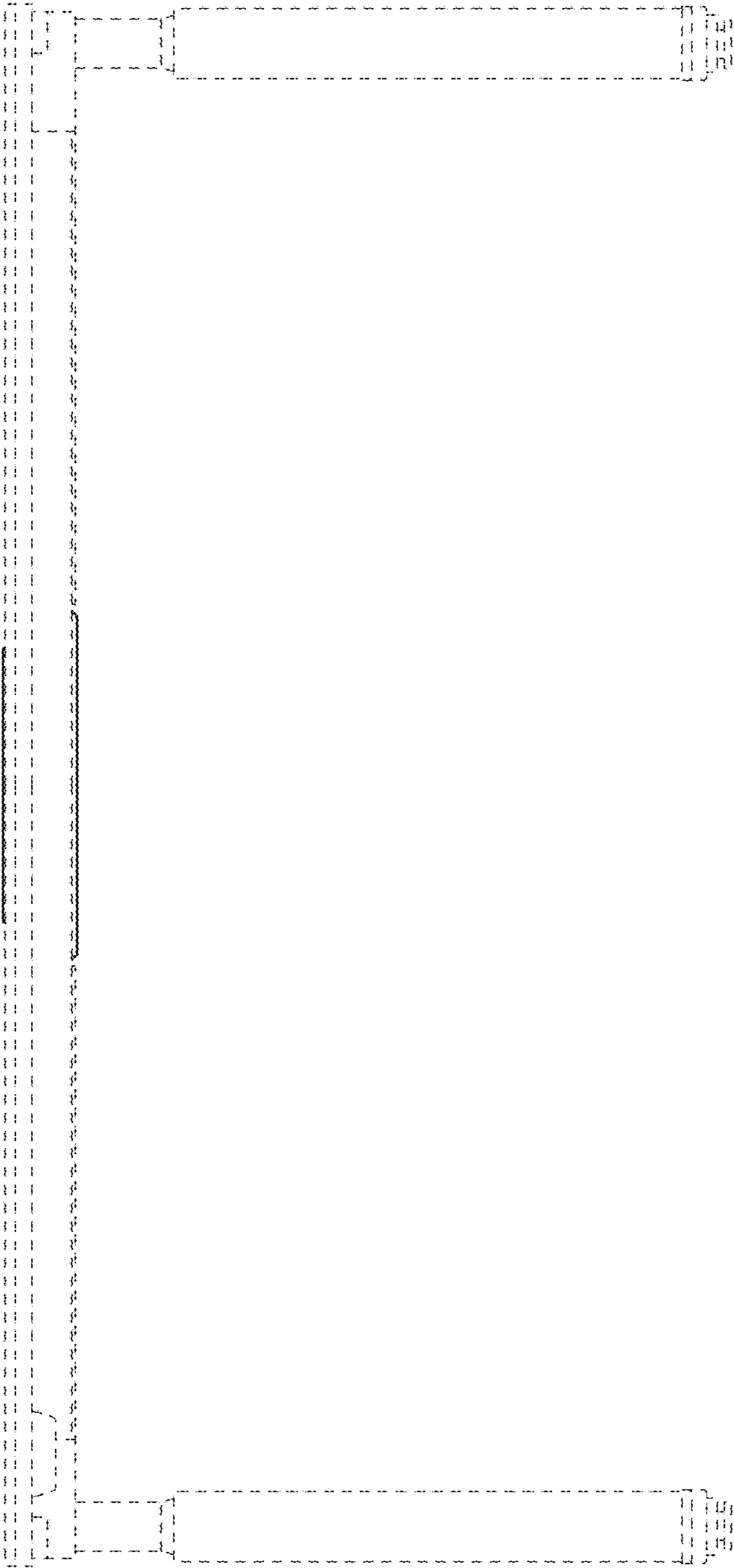


FIG. 4

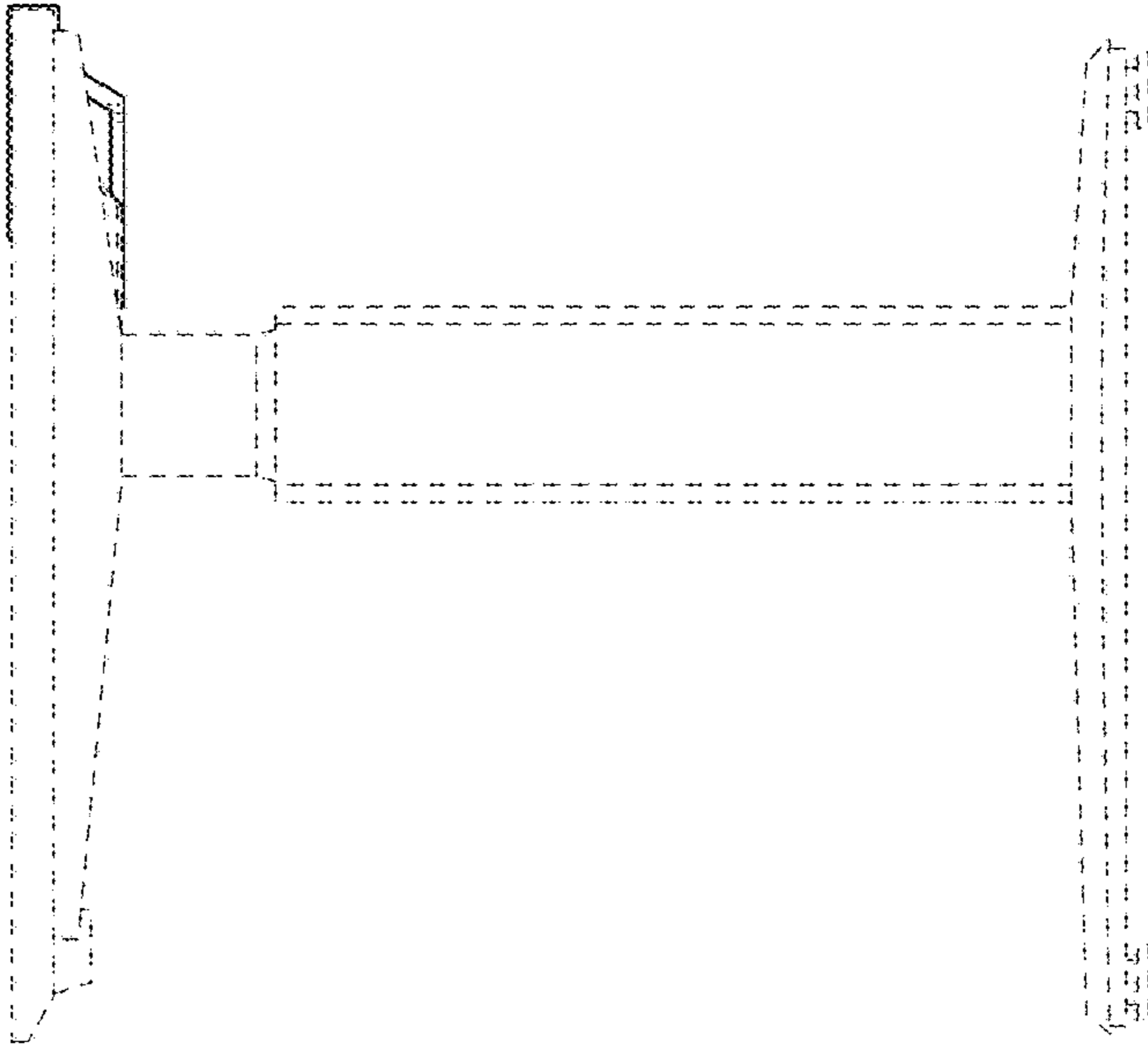


FIG. 5

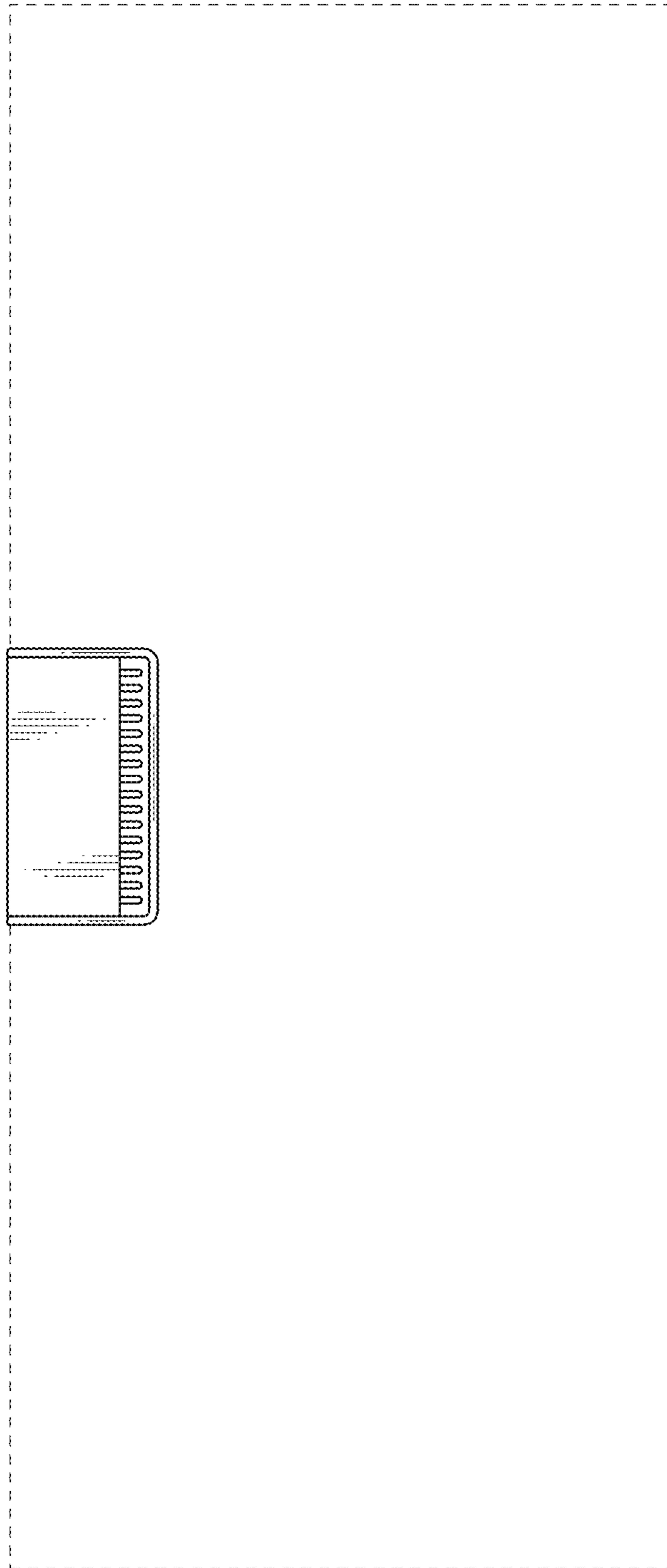


FIG. 6

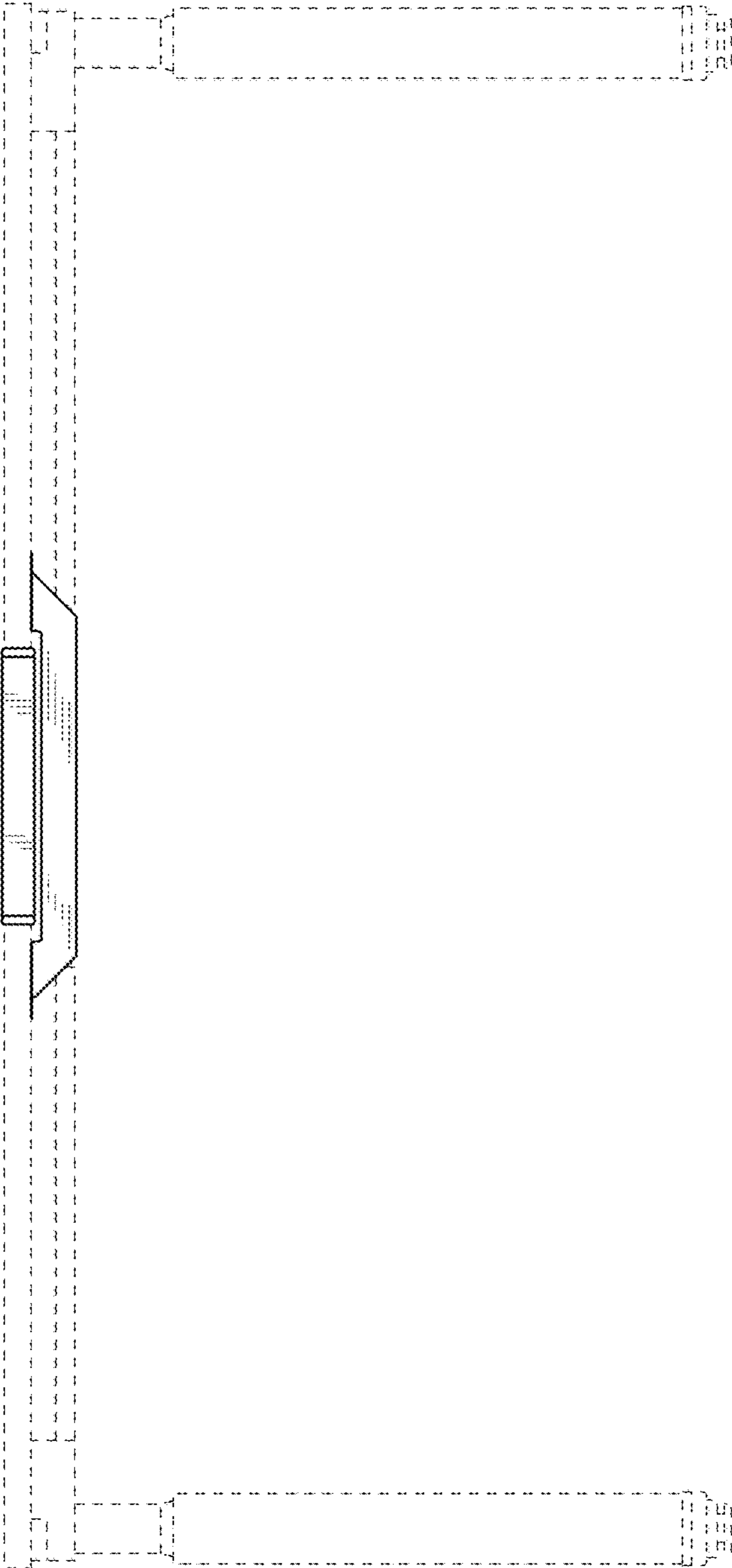


FIG. 7

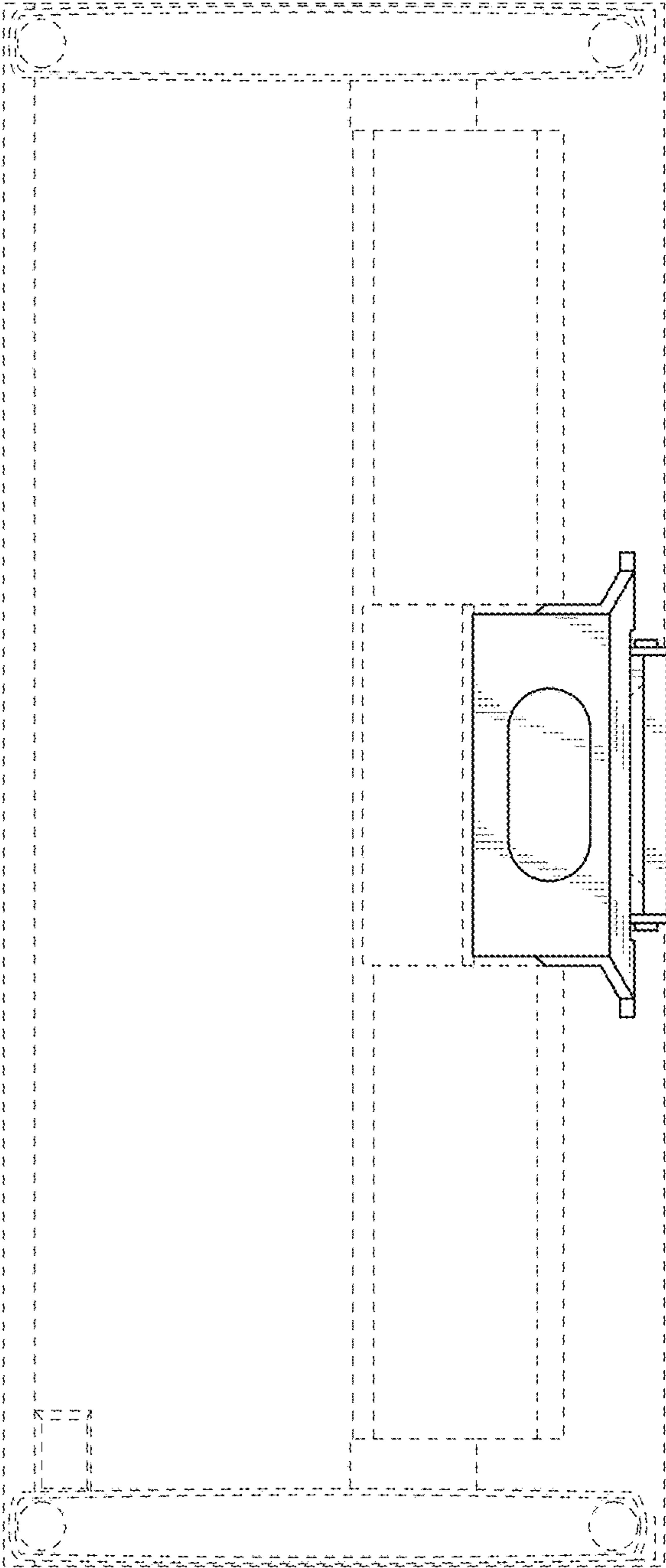


FIG. 8

