



US00D825238S

(12) **United States Design Patent**
Tsukii

(10) **Patent No.:** **US D825,238 S**

(45) **Date of Patent:** **** Aug. 14, 2018**

(54) **BAR COUNTER**

(71) Applicant: **Toshikazu Tsukii**, Oro Valley, AZ (US)

(72) Inventor: **Toshikazu Tsukii**, Oro Valley, AZ (US)

(**) Term: **15 Years**

(21) Appl. No.: **29/634,227**

(22) Filed: **Jan. 19, 2018**

Related U.S. Application Data

(62) Division of application No. 29/606,938, filed on Jun. 8, 2017.

(51) **LOC (11) Cl.** **06-03**

(52) **U.S. Cl.**
USPC **D6/699**

(58) **Field of Classification Search**
USPC D6/641, 642, 648, 648.1, 648.2, 648.3,
D6/648.4, 649, 653, 655, 655.11, 655.13,
D6/656, 656.15, 708, 708.16, 708.17,
D6/709, 709.2, 710, 699, 699.1
CPC A47B 7/00; A47B 13/08; A47B 13/10;
A47B 21/00; A47B 2009/006; A47B
11/00; A47B 2200/002; A47B 3/14; A47F
9/00

See application file for complete search history.

(56) **References Cited**

U.S. PATENT DOCUMENTS

- D352,845 S * 11/1994 Hellwig D6/656.16
- D370,579 S * 6/1996 Simon D6/656.16
- D374,787 S * 10/1996 Stoddard D6/656.16
- 5,957,062 A * 9/1999 Cox A47B 3/0815
108/133
- D417,981 S * 12/1999 Zwicker D6/699.1
- D449,471 S * 10/2001 Petersen D6/690

- D488,330 S * 4/2004 Que D6/699
- D568,630 S * 5/2008 Paterson D6/708
- D586,591 S * 2/2009 Stoller D6/708
- D596,426 S * 7/2009 Pai D6/708
- D596,881 S * 7/2009 Kitada D6/708
- 7,717,044 B2 * 5/2010 Hatton A47F 9/00
108/92
- D627,176 S * 11/2010 Lin D6/653.15
- 7,895,953 B2 * 3/2011 Matus, Jr. A47F 9/00
108/27
- D648,161 S * 11/2011 Truckor D6/708
- D649,378 S * 11/2011 Rogers D6/708.16
- D689,310 S * 9/2013 Meissner D6/692.3
- D690,541 S * 10/2013 Rogers D6/675.5
- D721,245 S * 1/2015 Agati D6/709
- 8,967,054 B2 * 3/2015 Henriott A47B 13/06
108/147.19
- D738,144 S * 9/2015 Rogers D6/675.5
- D778,646 S * 2/2017 Davis D6/699
- D801,736 S * 11/2017 Paul D6/684

* cited by examiner

Primary Examiner — Mary Ann Calabrese

Assistant Examiner — Sloan Rozin

(74) *Attorney, Agent, or Firm* — Eugene Vamos

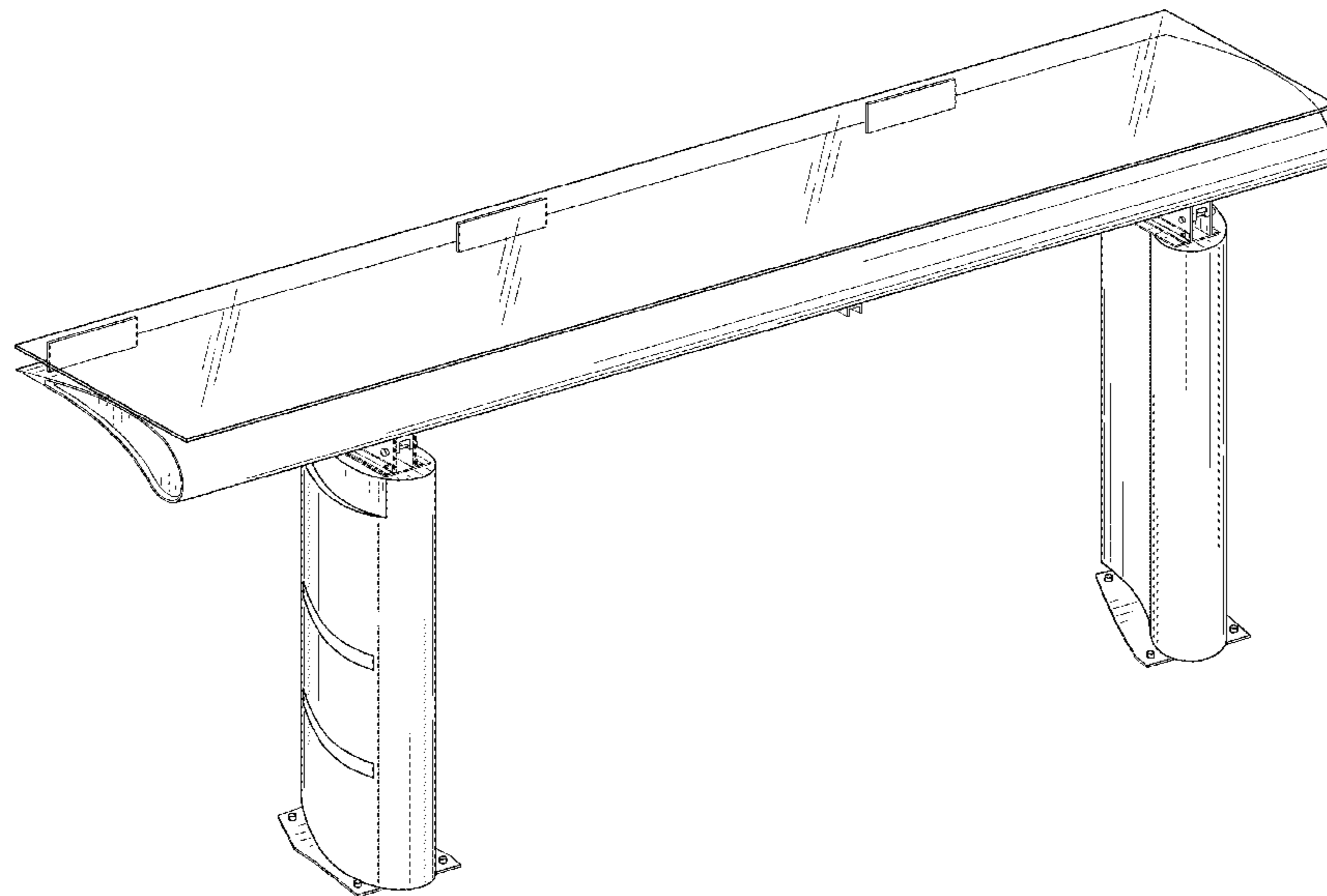
(57) **CLAIM**

The ornamental design for a bar counter, as shown.

DESCRIPTION

FIG. 1 is a perspective view of a bar counter showing my new design;
 FIG. 2 is a front elevation view thereof;
 FIG. 3 is a back elevation view thereof;
 FIG. 4 is a right side elevation view thereof;
 FIG. 5 is left side elevation view thereof;
 FIG. 6 is a top plan view of thereof; and,
 FIG. 7 is a bottom plan view thereof.

1 Claim, 5 Drawing Sheets



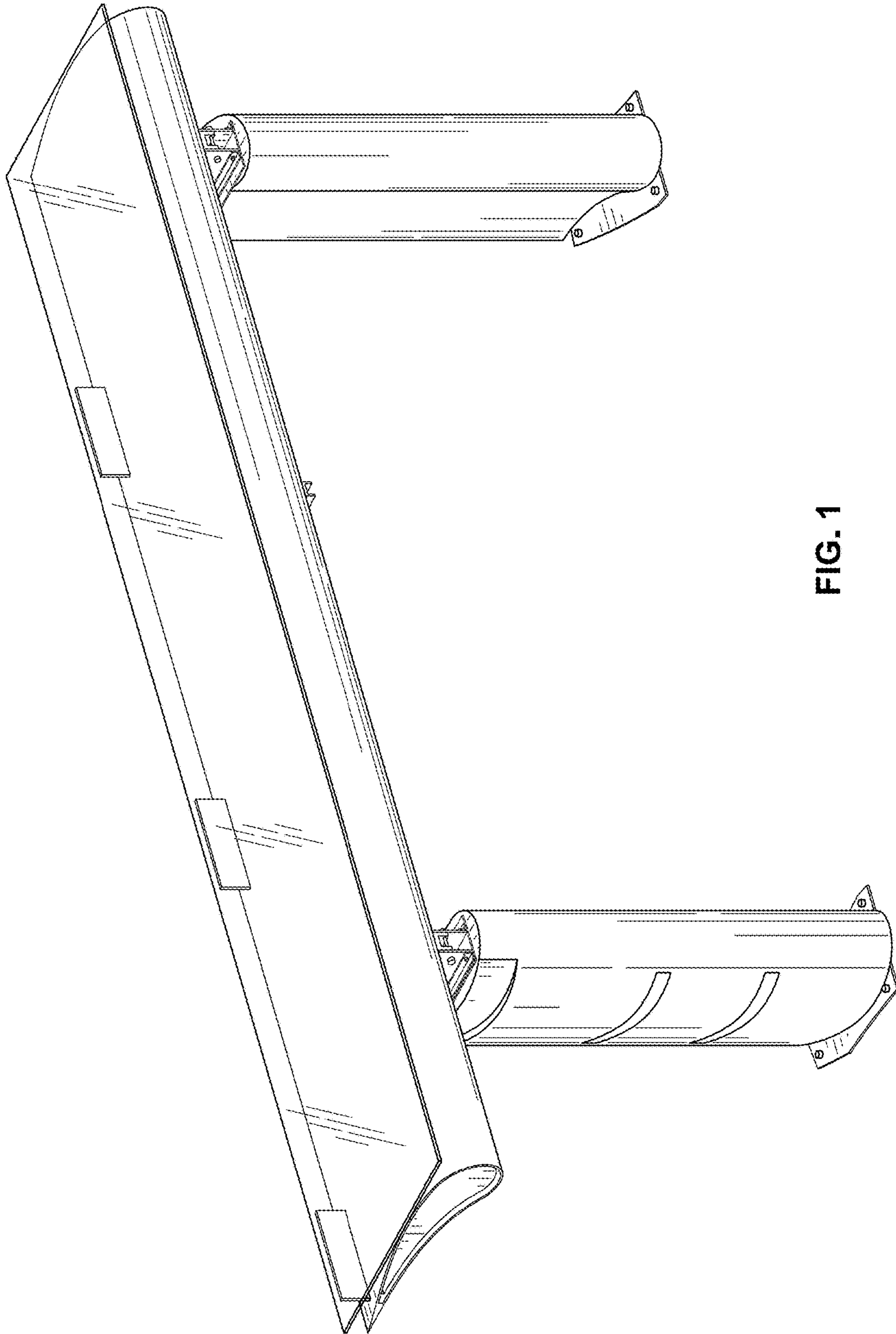


FIG. 1

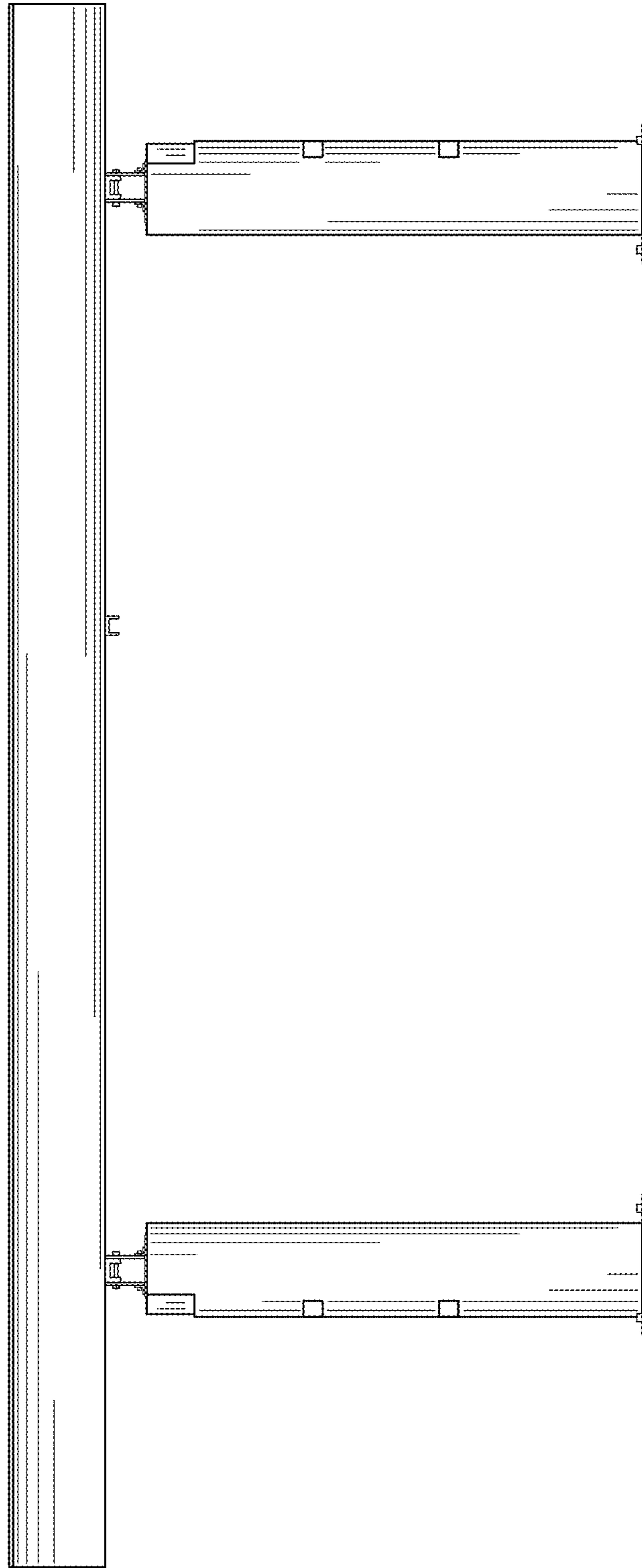


FIG. 2

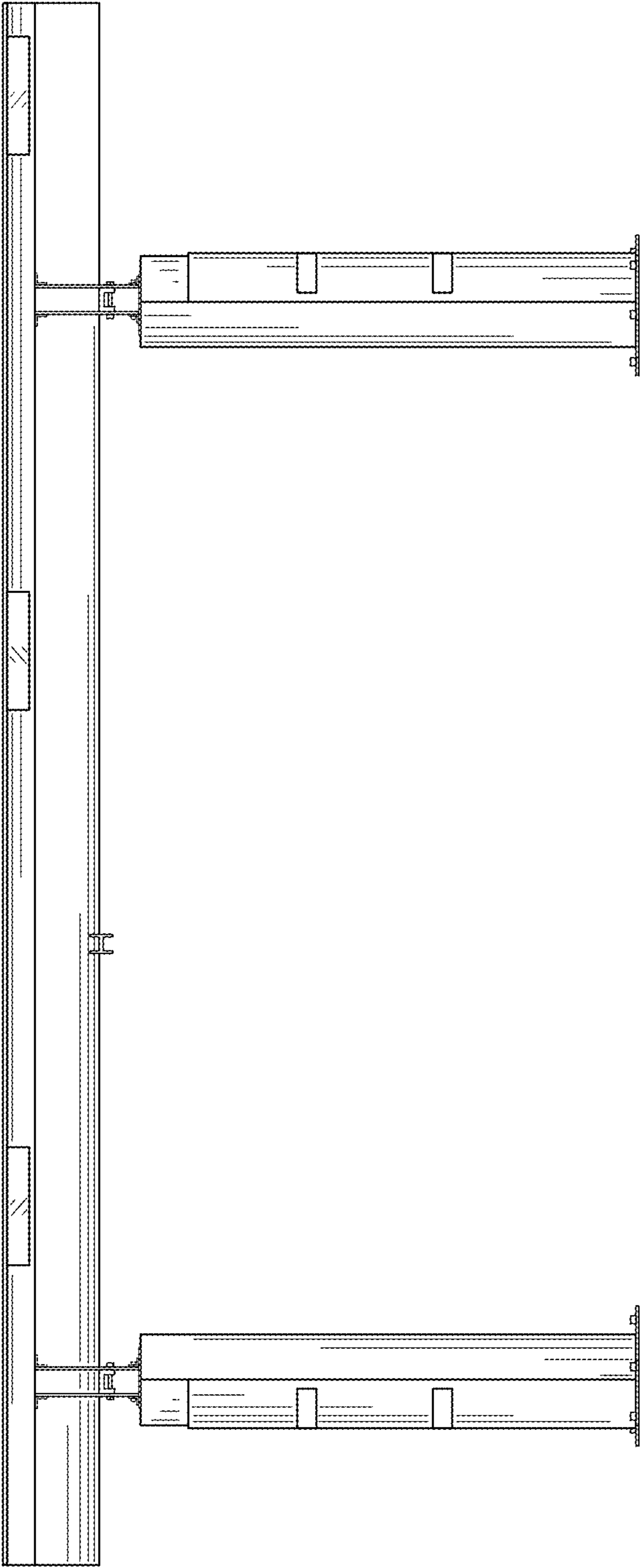


FIG. 3

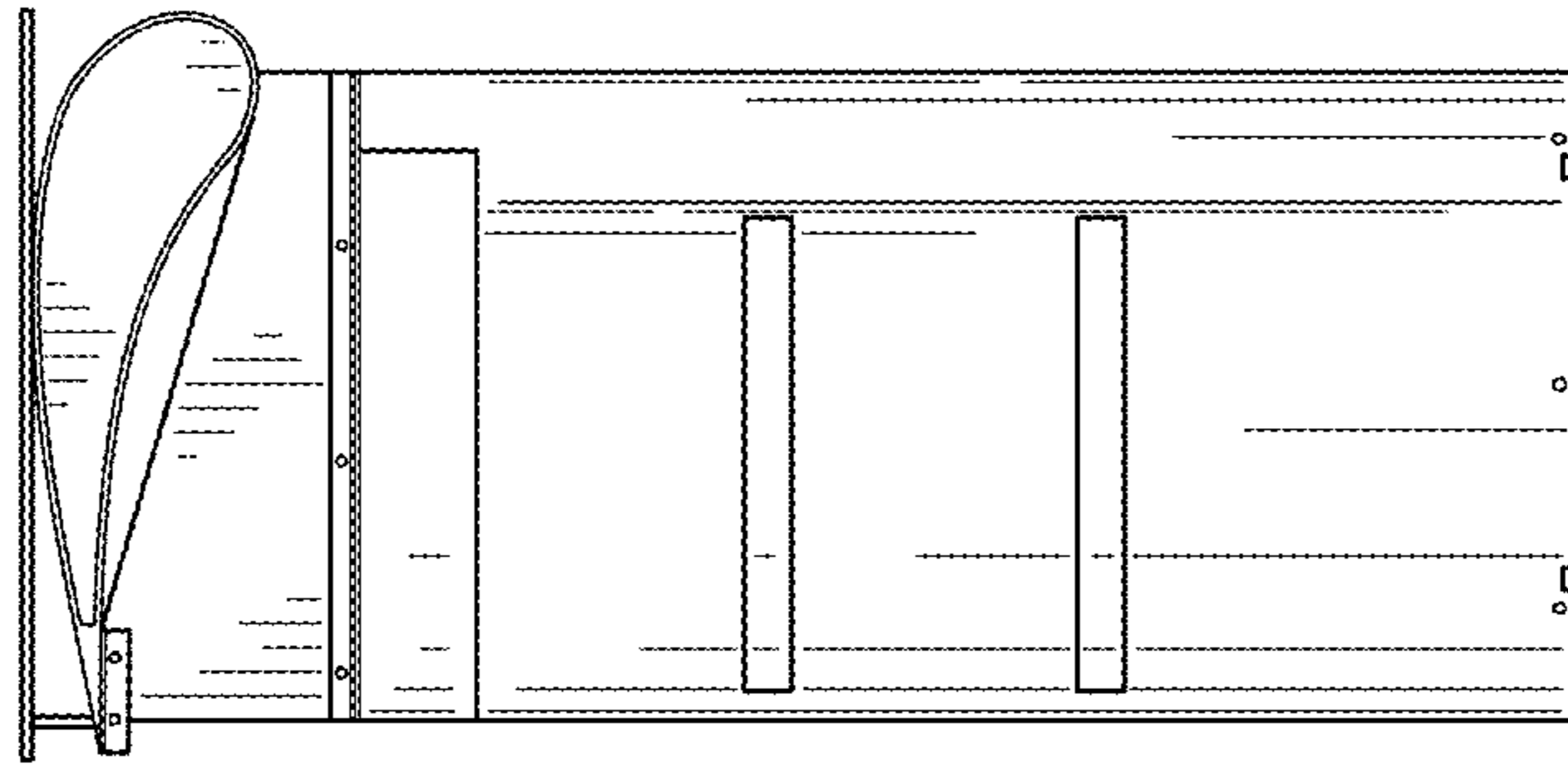


FIG. 5

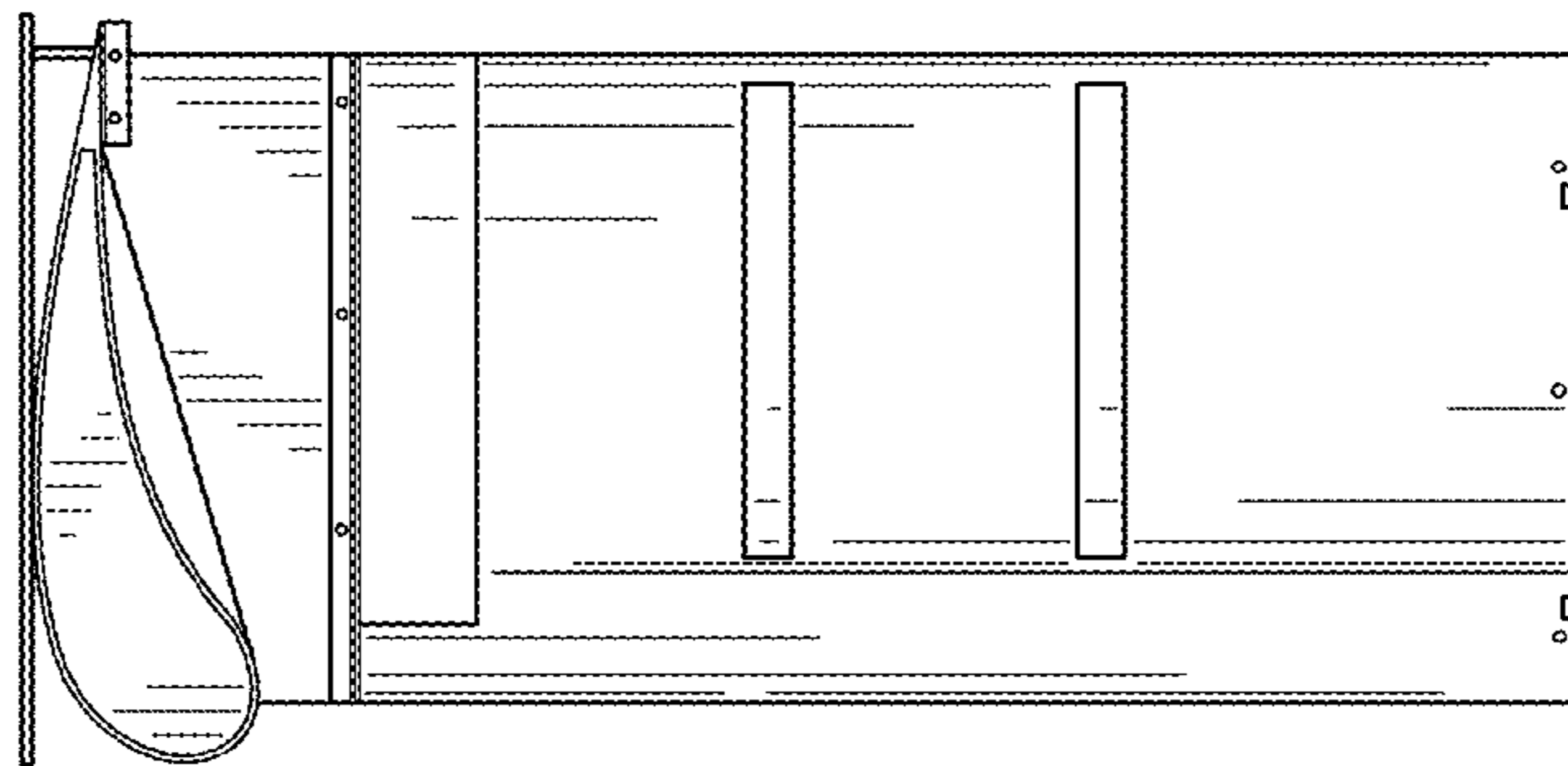


FIG. 4

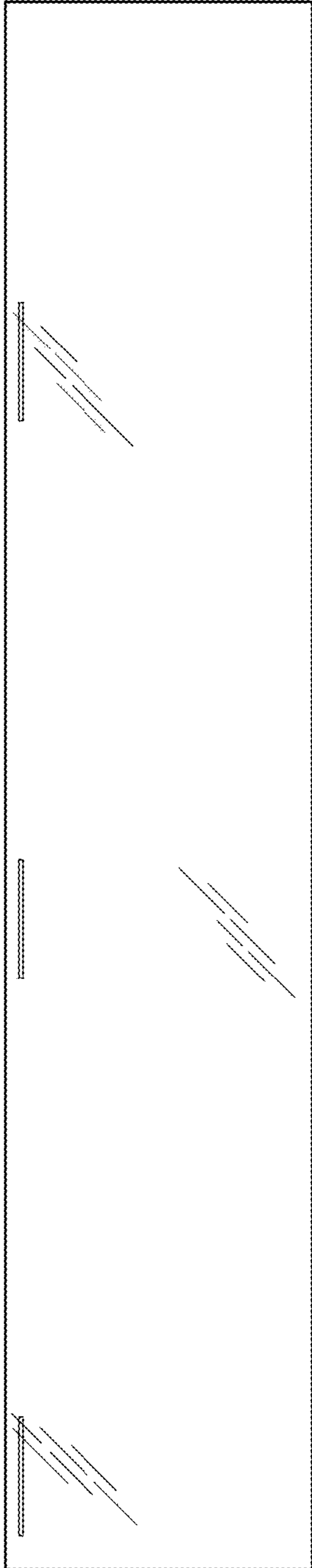


FIG. 6

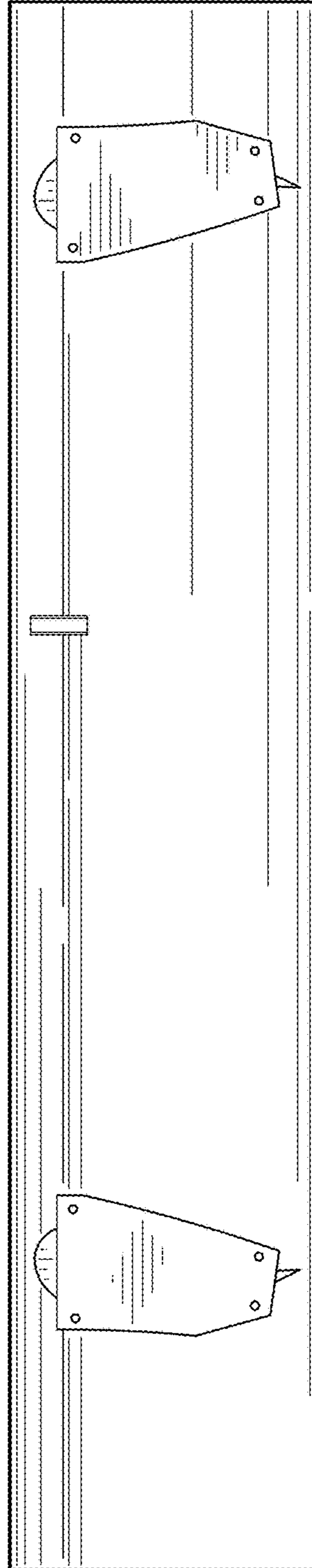


FIG. 7