



US00D825237S

(12) **United States Design Patent** (10) **Patent No.:** **US D825,237 S**  
**Fairbanks** (45) **Date of Patent:** **\*\* Aug. 14, 2018**

(54) **SQUARE TABLE**

OTHER PUBLICATIONS

(71) Applicant: **COUNTRY CASUAL TEAK, INC.**,  
Gaithersburg, MD (US)  
(72) Inventor: **Madeline A. Fairbanks**, Bethesda, MD  
(US)  
(73) Assignee: **Country Casual Teak, Inc.**,  
Gaithersburg, MD (US)

Fiori rectangular coffee table, posted at Countrycasualteak.com, posted on Feb. 13, 2016. online, available from internet; [https://web.archive.org/web/20160213040433/http://www.countrycasualteak.com:80/tables/coffee-tables.\\*](https://web.archive.org/web/20160213040433/http://www.countrycasualteak.com:80/tables/coffee-tables.*)  
Coffee & Side Table, posted at Countrycasualteak.com, posted on Apr. 21, 2017, site visited Feb. 14, 2018. online, available from internet: [https://web.archive.org/web/20170421003808/http://www.countrycasualteak.com:80/lounge/coffee-side-tables.\\*](https://web.archive.org/web/20170421003808/http://www.countrycasualteak.com:80/lounge/coffee-side-tables.*)  
Fiori 43 in square table, posted at Countrycasualteak.com, posted on Apr. 21, 2017, site visited Feb. 14, 2018. online, available from internet: [https://web.archive.org/web/20170421003803/http://www.countrycasualteak.com:80/dining/dining-tables.\\*](https://web.archive.org/web/20170421003803/http://www.countrycasualteak.com:80/dining/dining-tables.*)

(\*\*) Term: **15 Years**

\* cited by examiner

(21) Appl. No.: **29/595,672**

(22) Filed: **Mar. 1, 2017**

*Primary Examiner* — Mary Ann Calabrese  
*Assistant Examiner* — Catherine Ho

(51) **LOC (11) Cl.** ..... **06-03**

(52) **U.S. Cl.**  
USPC ..... **D6/691.1**

(74) *Attorney, Agent, or Firm* — Rosenberg, Klein & Lee

(58) **Field of Classification Search**  
USPC ..... D6/641, 685, 689, 690, 691, 691.1,  
D6/691.2, 691.3, 691.4, 691.5, 691.6,  
D6/691.7, 691.8, 691.9, 702, 703.1,  
D6/703.4, 707.15  
CPC ..... A47D 9/005; A47D 13/06; A47D 13/061;  
A47D 13/063; A63H 33/008; A63H 3/52;  
E04H 15/40; E04H 15/20; E04H 15/006;  
Y10T 29/49826

(57) **CLAIM**

The ornamental design for a square table, as shown and described.

See application file for complete search history.

**DESCRIPTION**

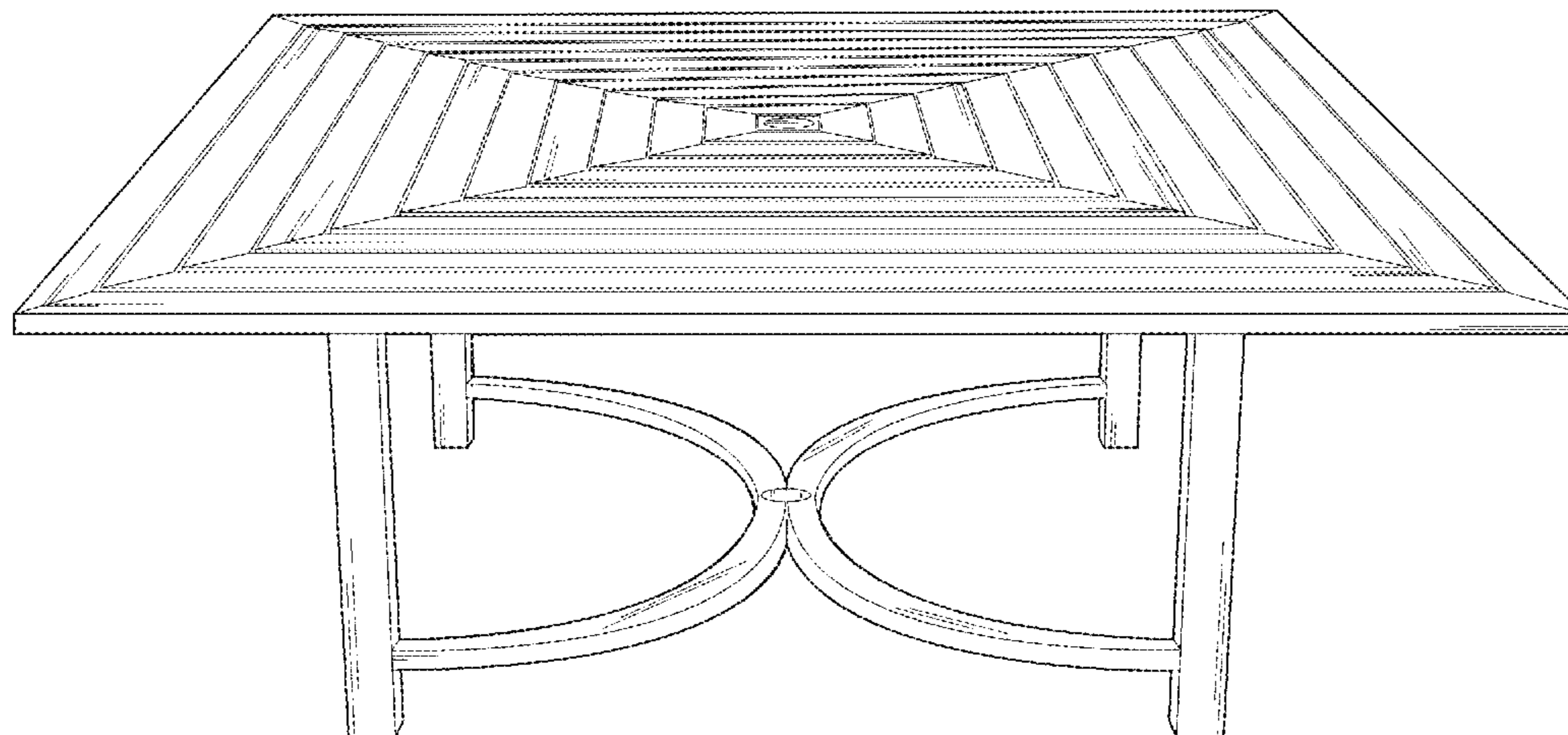
FIG. 1 is a front perspective view of a square table, showing my new design;  
FIG. 2 is a front elevational view thereof, the rear side elevational view being a mirror image thereof;  
FIG. 3 is a bottom plan view thereof;  
FIG. 4 is a top plan view thereof; and,  
FIG. 5 is a right elevation view thereof, the left elevational view being a mirror image thereof.  
The broken line portion of the figure drawings is included to show environmental structure that forms no part of the claimed design.

(56) **References Cited**

U.S. PATENT DOCUMENTS

D66,293 S \* 12/1924 Kehoe ..... 6/691.3  
D523,664 S \* 6/2006 Rudisill ..... 6/691.1  
D527,928 S \* 9/2006 Spector ..... 6/691.1  
D532,998 S \* 12/2006 Domack ..... D6/688.11  
D556,473 S \* 12/2007 Good ..... D6/691.1  
D582,179 S \* 12/2008 Lambert ..... D6/689  
D608,116 S \* 1/2010 Fairbanks ..... 6/692.1  
D618,933 S \* 7/2010 Lambert ..... D6/689

**1 Claim, 5 Drawing Sheets**



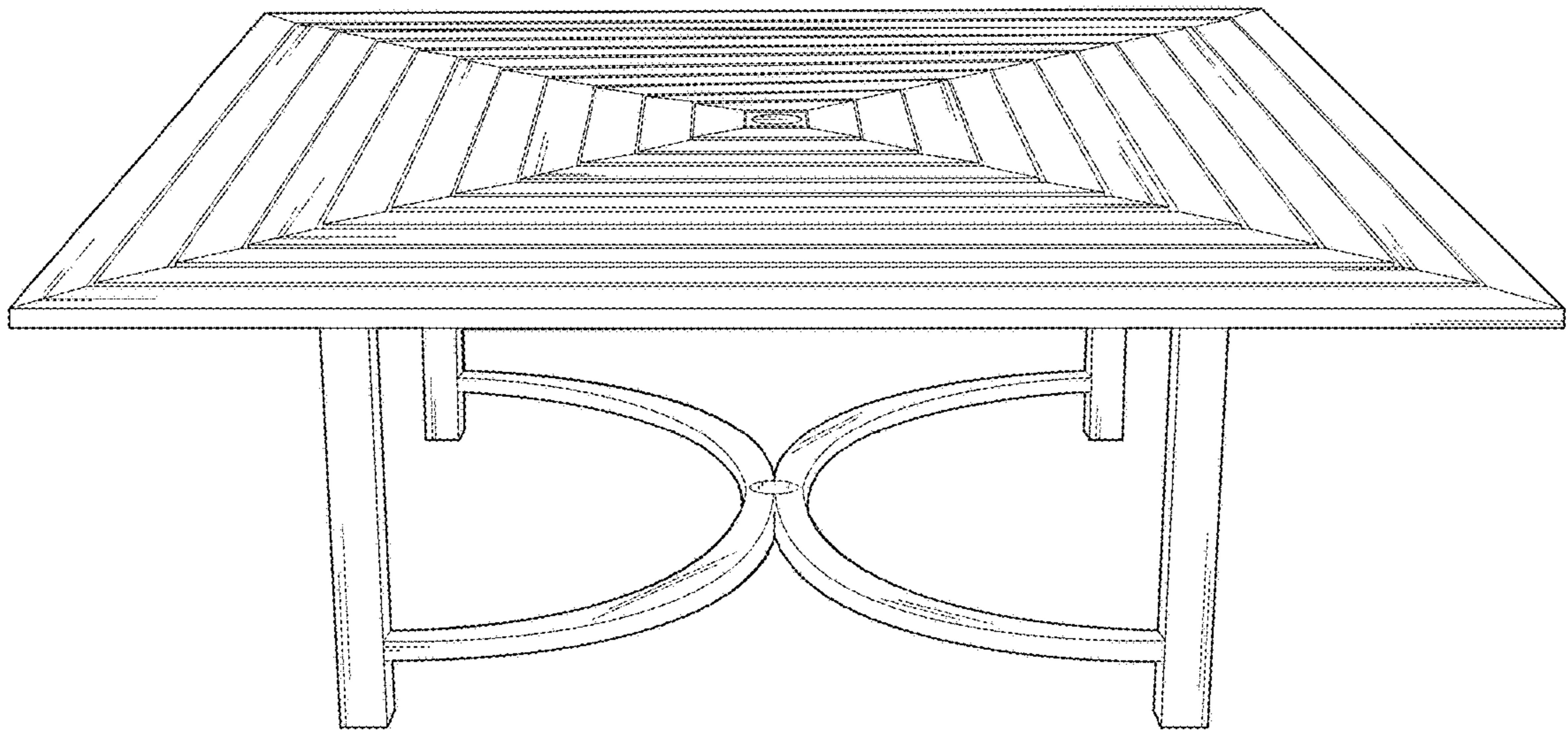


FIG. 1

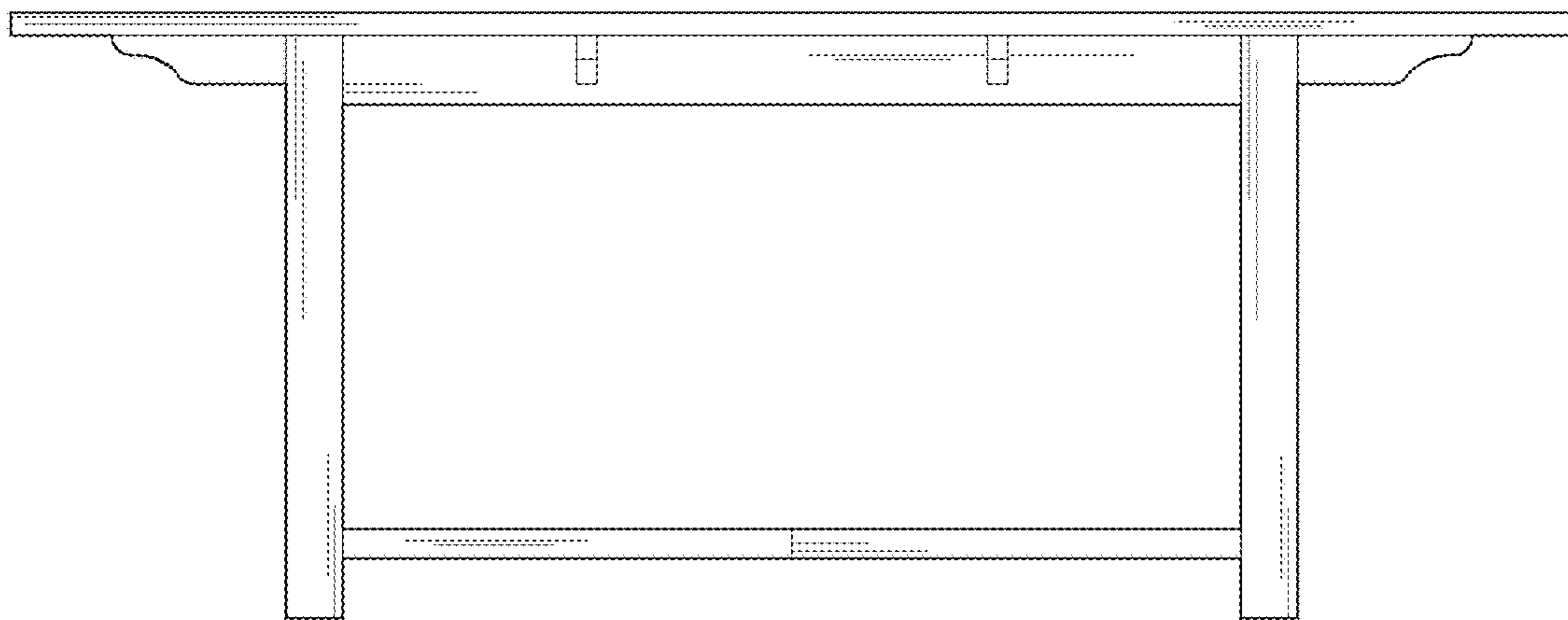


FIG. 2

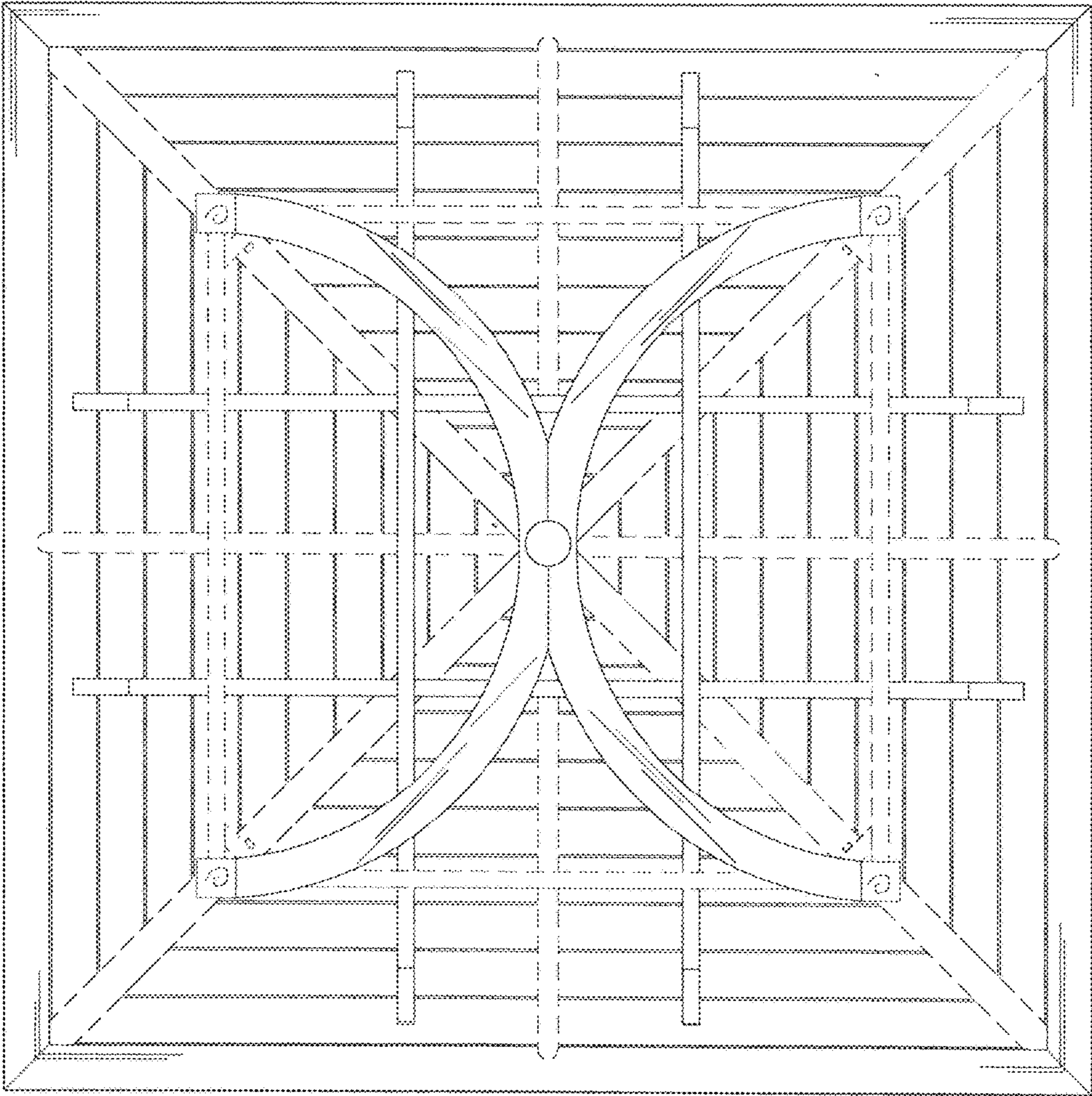


FIG. 3

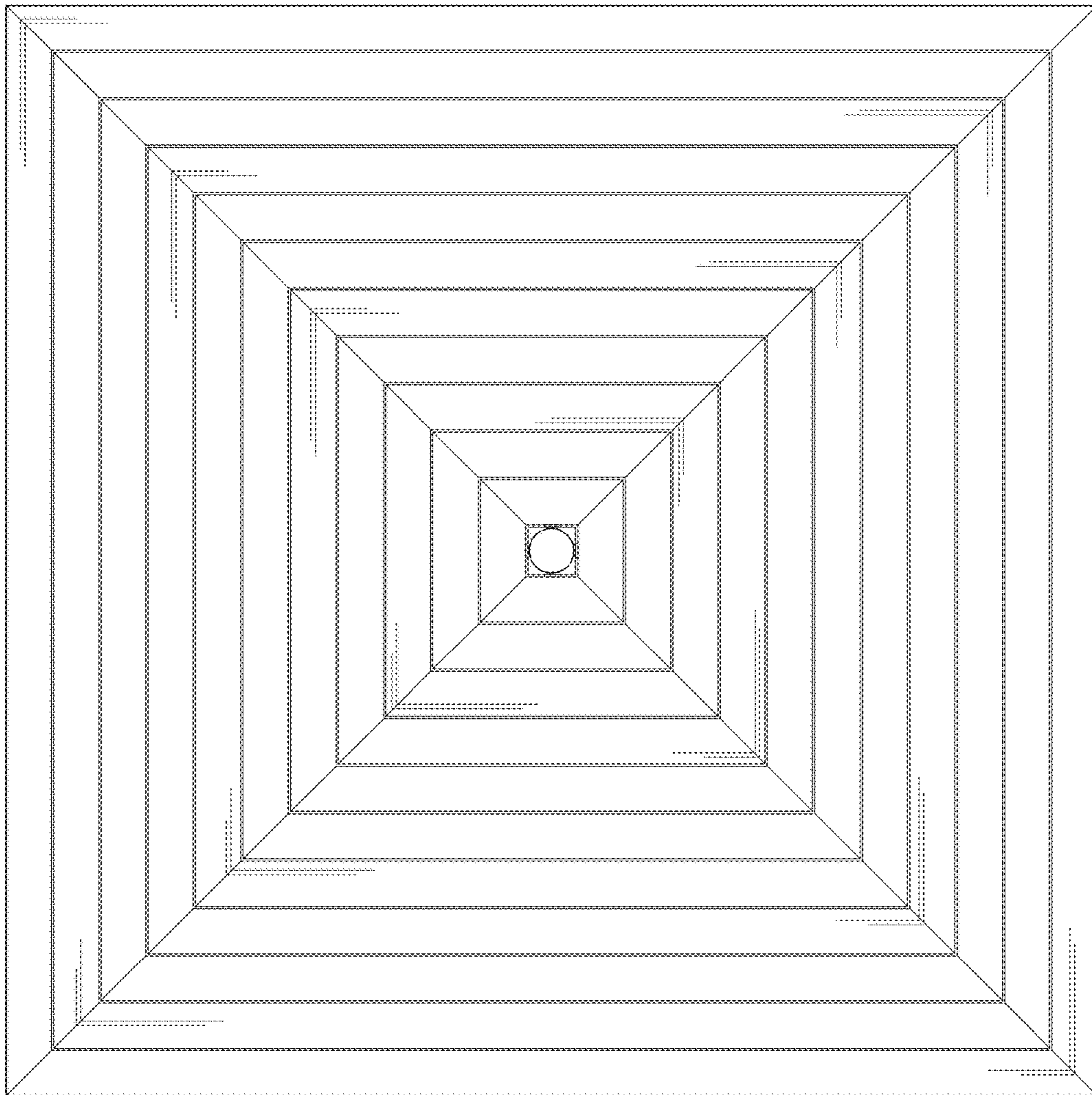


FIG. 4

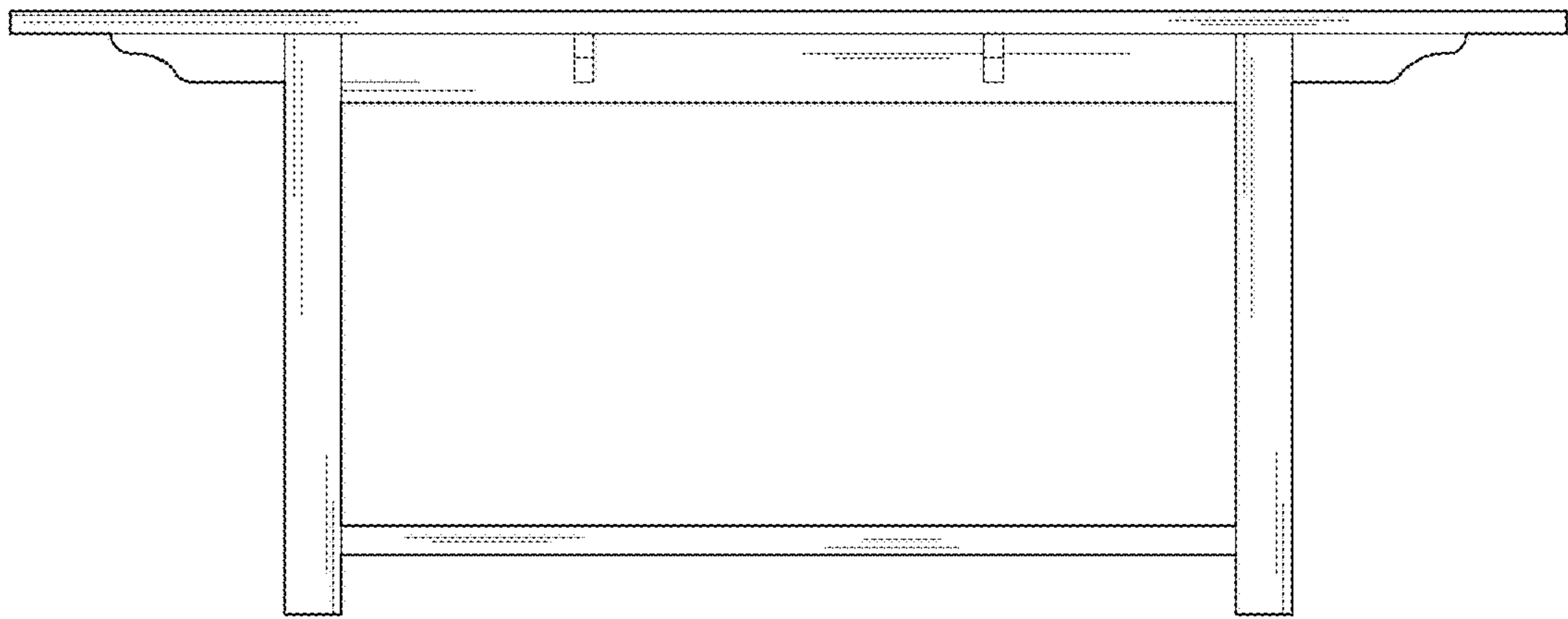


FIG. 5