



US00D825236S

(12) **United States Design Patent** (10) **Patent No.:** **US D825,236 S**
Fairbanks (45) **Date of Patent:** **** Aug. 14, 2018**

(54) **SQUARE COFFEE TABLE**

OTHER PUBLICATIONS

(71) Applicant: **COUNTRY CASUAL TEAK, INC.**,
Gaithersburg, MD (US)

Fiori rectangular coffee table, posted at Countrycasualteak.com, posted on Feb. 13, 2016. online, available from internet; https://web.archive.org/web/20160213040433/http://www.countrycasualteak.com:80/tables/coffee-tables.*

(72) Inventor: **Madeline A. Fairbanks**, Bethesda, MD (US)

Coffee & Side Table, posted at Countrycasualteak.com, posted on Apr. 21, 2017, site visited Feb. 14, 2018. online, available from internet: https://web.archive.org/web/20170421003808/http://www.countrycasualteak.com:80/lounge/coffee-side-tables.*

(73) Assignee: **Country Casual Teak, Inc.**,
Gaithersburg, MD (US)

Fiori 43 in square table, posted at Countrycasualteak.com, posted on Apr. 21, 2017, site visited Feb. 14, 2018. online, available from internet: https://web.archive.org/web/20170421003803/http://www.countrycasualteak.com:80/dining/dining-tables.*

(**) Term: **15 Years**

(21) Appl. No.: **29/595,669**

* cited by examiner

(22) Filed: **Mar. 1, 2017**

(51) **LOC (11) Cl.** **06-03**

Primary Examiner — Mary Ann Calabrese

(52) **U.S. Cl.**

Assistant Examiner — Catherine Ho

USPC **D6/691.1**

(74) *Attorney, Agent, or Firm* — Rosenberg, Klein & Lee

(58) **Field of Classification Search**

USPC D6/641, 685, 689, 690, 691, 691.1,
D6/691.2, 691.3, 691.4, 691.5, 691.6,
D6/691.7, 691.8, 691.9, 702, 703.1,
D6/703.4, 707.15

(57) **CLAIM**

CPC A47D 9/005; A47D 13/06; A47D 13/061;
A47D 13/063; A63H 33/008; A63H 3/52;
E04H 15/40; E04H 15/20; E04H 15/006;
Y10T 29/49826

The ornamental design for a square coffee table, as shown and described.

See application file for complete search history.

DESCRIPTION

(56) **References Cited**

U.S. PATENT DOCUMENTS

D66,293 S * 12/1924 Kehoe D6/691.3
D523,664 S * 6/2006 Rudisill D6/691.1
D527,928 S * 9/2006 Spector D6/691.1
D532,998 S * 12/2006 Domack D6/688.11
D556,473 S * 12/2007 Good D6/691.1
D582,179 S * 12/2008 Lambert D6/689
D608,116 S * 1/2010 Fairbanks D6/692.1
D618,933 S * 7/2010 Lambert D6/689

FIG. 1 is a front perspective view of a square coffee table, showing my new design;

FIG. 2 is a right elevational view thereof, the left side elevational view being a mirror image thereof;

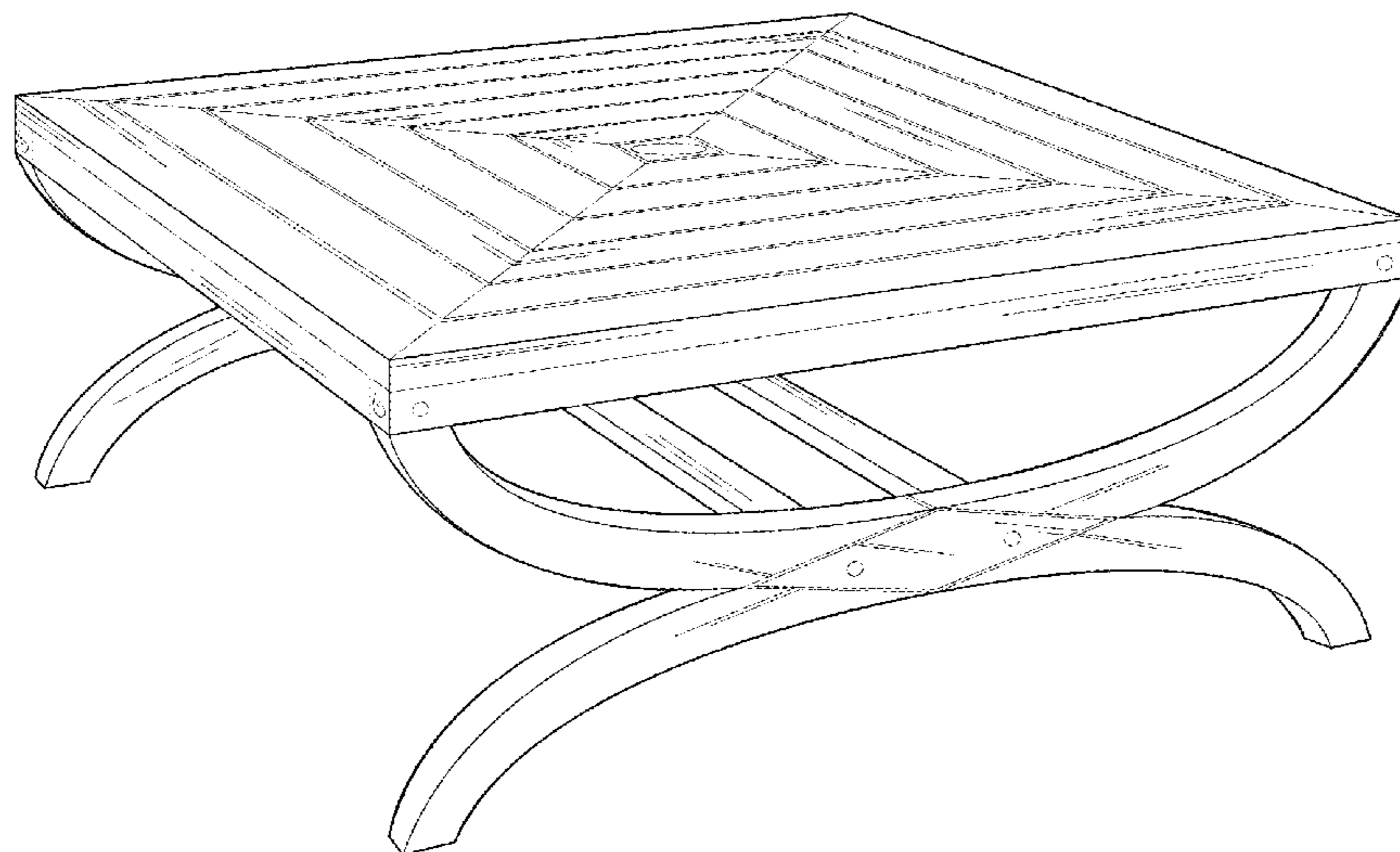
FIG. 3 is a front elevational view thereof, the rear elevational view being a mirror image thereof;

FIG. 4 is a bottom plan view thereof; and,

FIG. 5 is a top plan view thereof.

The broken line portion of the figure drawings is included to show environmental structure that forms no part of the claimed design.

1 Claim, 5 Drawing Sheets



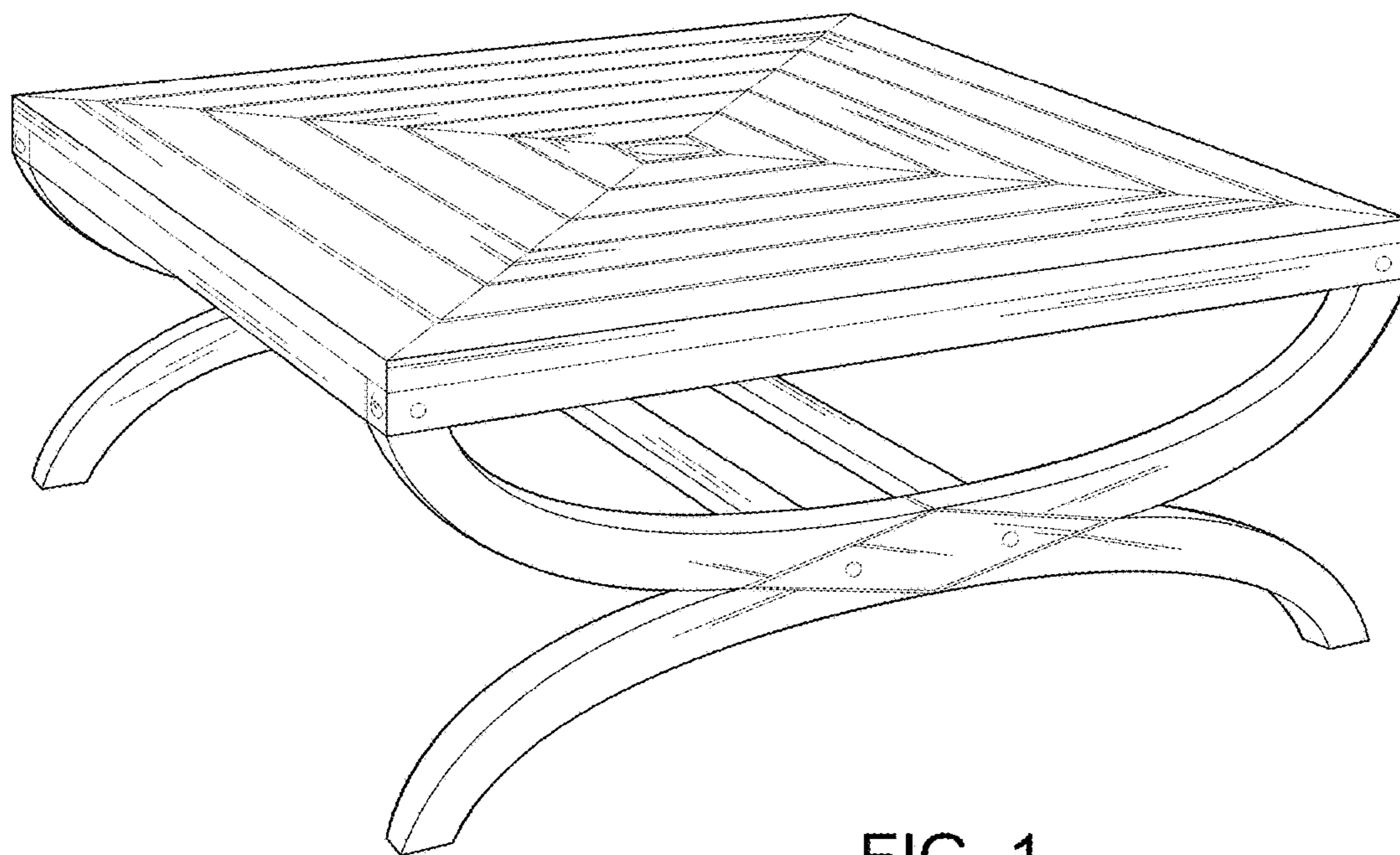


FIG. 1

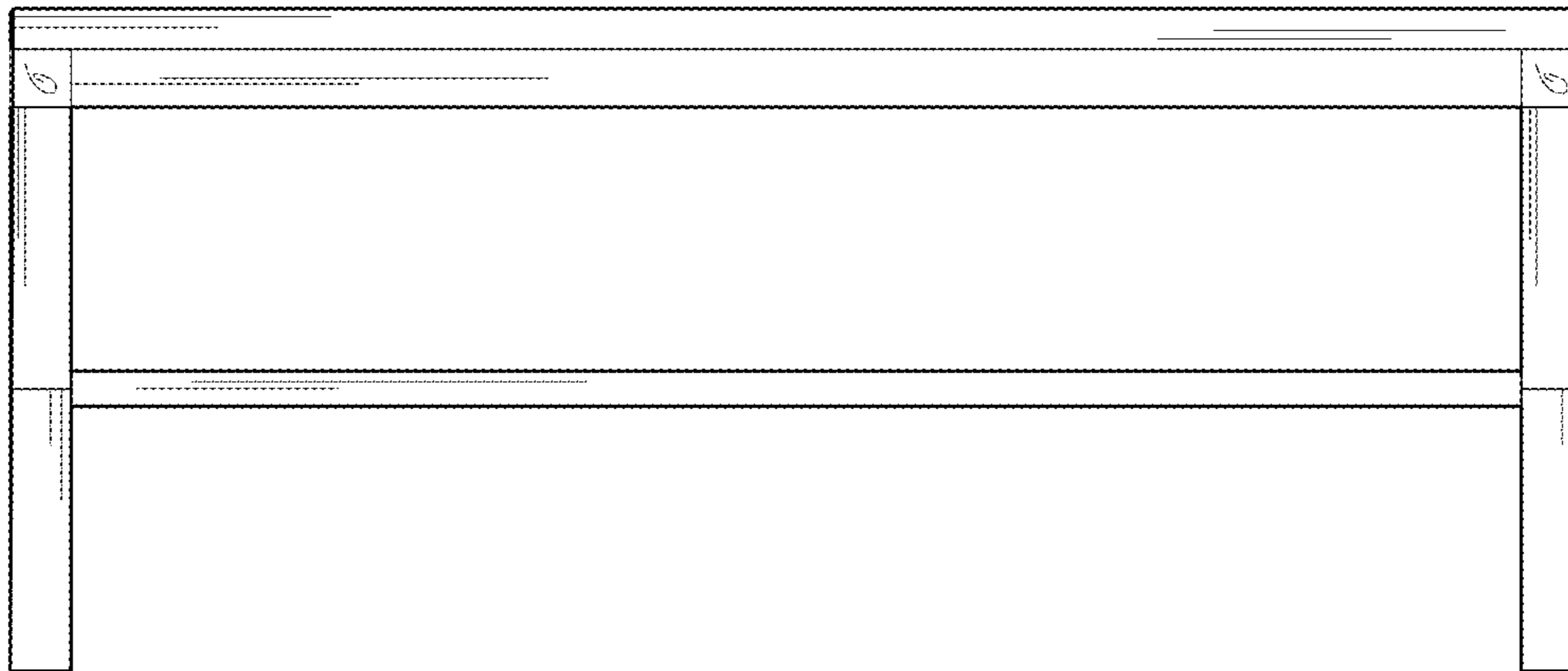


FIG. 2

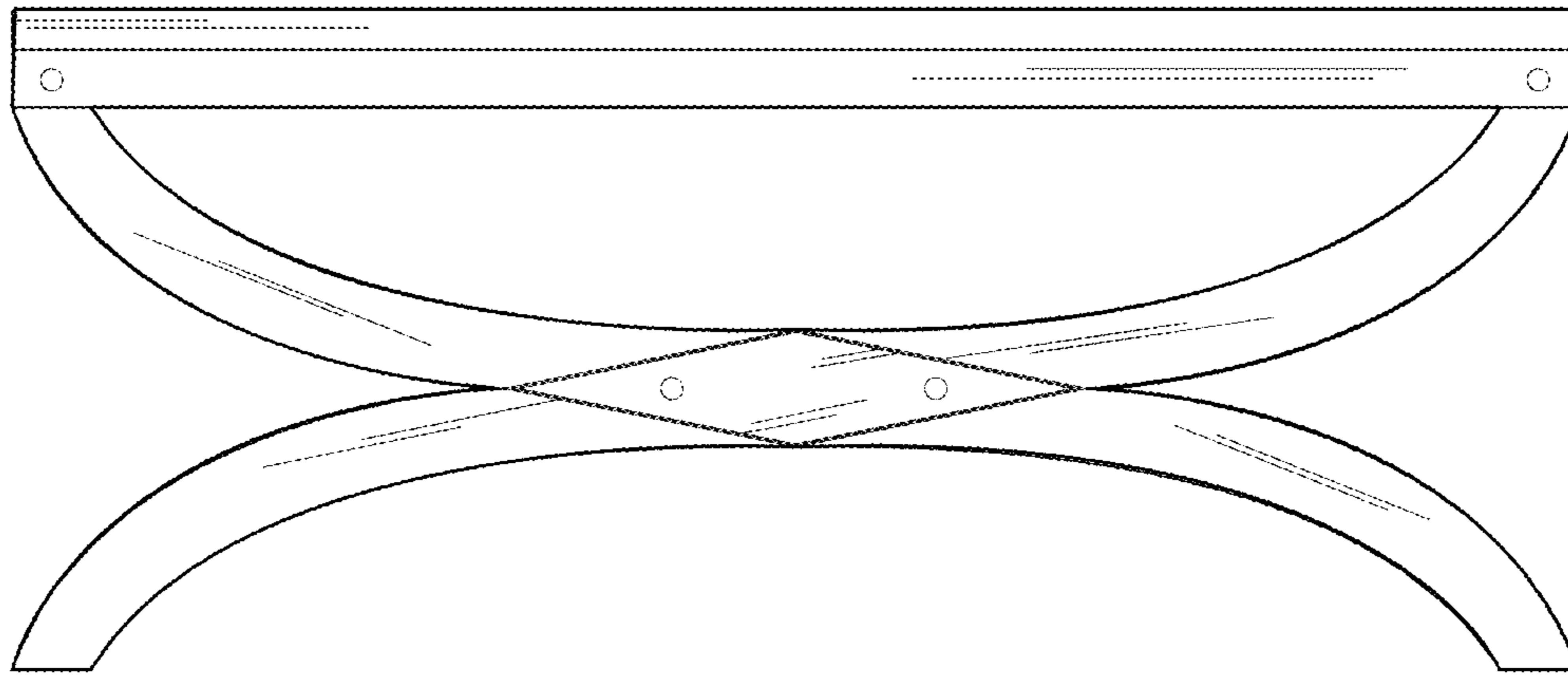


FIG. 3

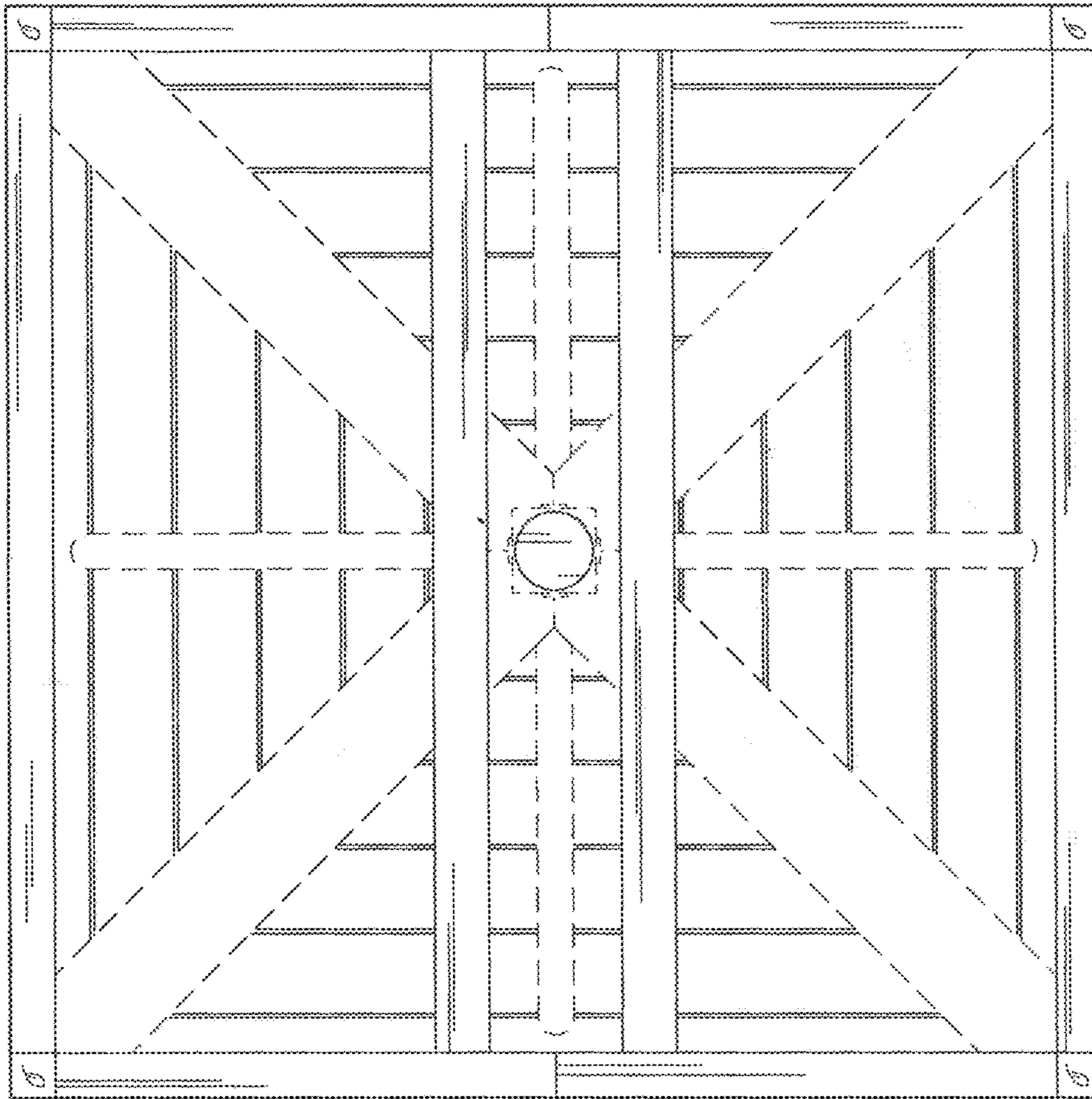


FIG. 4

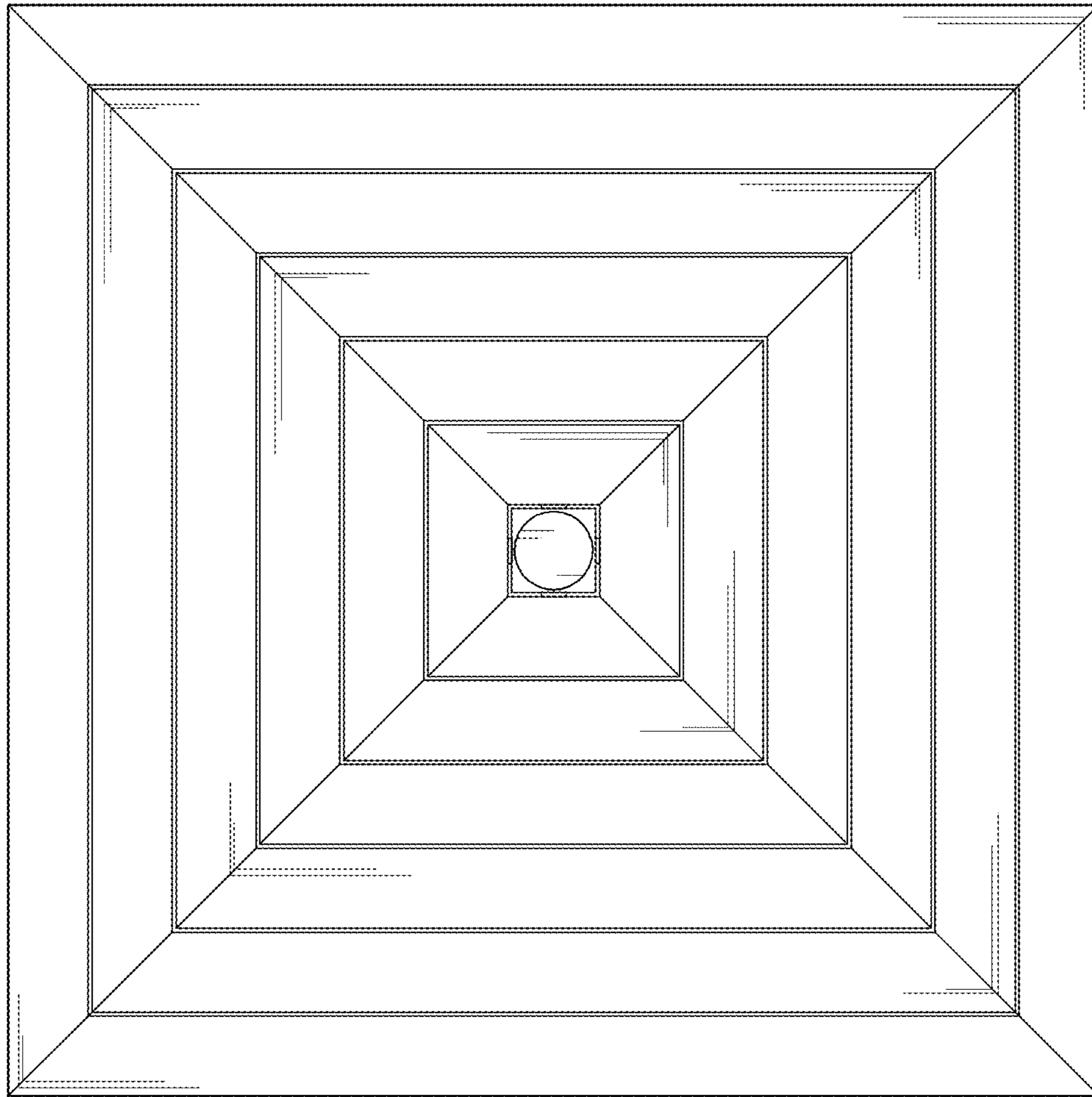


FIG. 5