



US00D825230S

(12) **United States Design Patent**
Massaud

(10) **Patent No.:** **US D825,230 S**

(45) **Date of Patent:** **** Aug. 14, 2018**

(54) **CABINET**

(71) Applicant: **POLTRONA FRAU S.p.A.**, Meda (IT)

(72) Inventor: **Jean-Marie Massaud**, Paris (FR)

(73) Assignee: **POLTRONA FRAU S.p.A.**, Meda (IT)

(**) Term: **15 Years**

(21) Appl. No.: **29/590,452**

(22) Filed: **Jan. 10, 2017**

(30) **Foreign Application Priority Data**

Jul. 13, 2016 (EP) 003304625

(51) **LOC (11) Cl.** **06-06**

(52) **U.S. Cl.**
USPC **D6/675**

(58) **Field of Classification Search**
USPC D6/675, 675.1, 675.2, 672, 673
CPC A47F 5/0018; A47B 57/58; A47B 43/00
See application file for complete search history.

(56) **References Cited**

U.S. PATENT DOCUMENTS

- D292,458 S * 10/1987 Doezenia D6/691.8
- D465,110 S * 11/2002 Cain D6/675.1
- D554,393 S * 11/2007 Yalif D6/661
- D559,585 S * 1/2008 Lara D6/657
- D560,930 S * 2/2008 Woodward D6/671.1
- D575,555 S * 8/2008 Lewis D6/675.1

- D605,874 S * 12/2009 Zambelli D6/661
- D637,834 S * 5/2011 Lewis D6/671.1
- D644,853 S * 9/2011 Becker D6/661
- D667,653 S * 9/2012 Lenney D6/671.1
- D715,077 S * 10/2014 Everson D6/675.1
- D718,956 S * 12/2014 Helser D6/661
- D742,142 S * 11/2015 Everson D6/675.1
- D767,752 S * 9/2016 Davis D23/403
- D793,776 S * 8/2017 Davis D6/675

* cited by examiner

Primary Examiner — Kelley Donnelly

(74) *Attorney, Agent, or Firm* — Hogan Lovells US LLP

(57) **CLAIM**

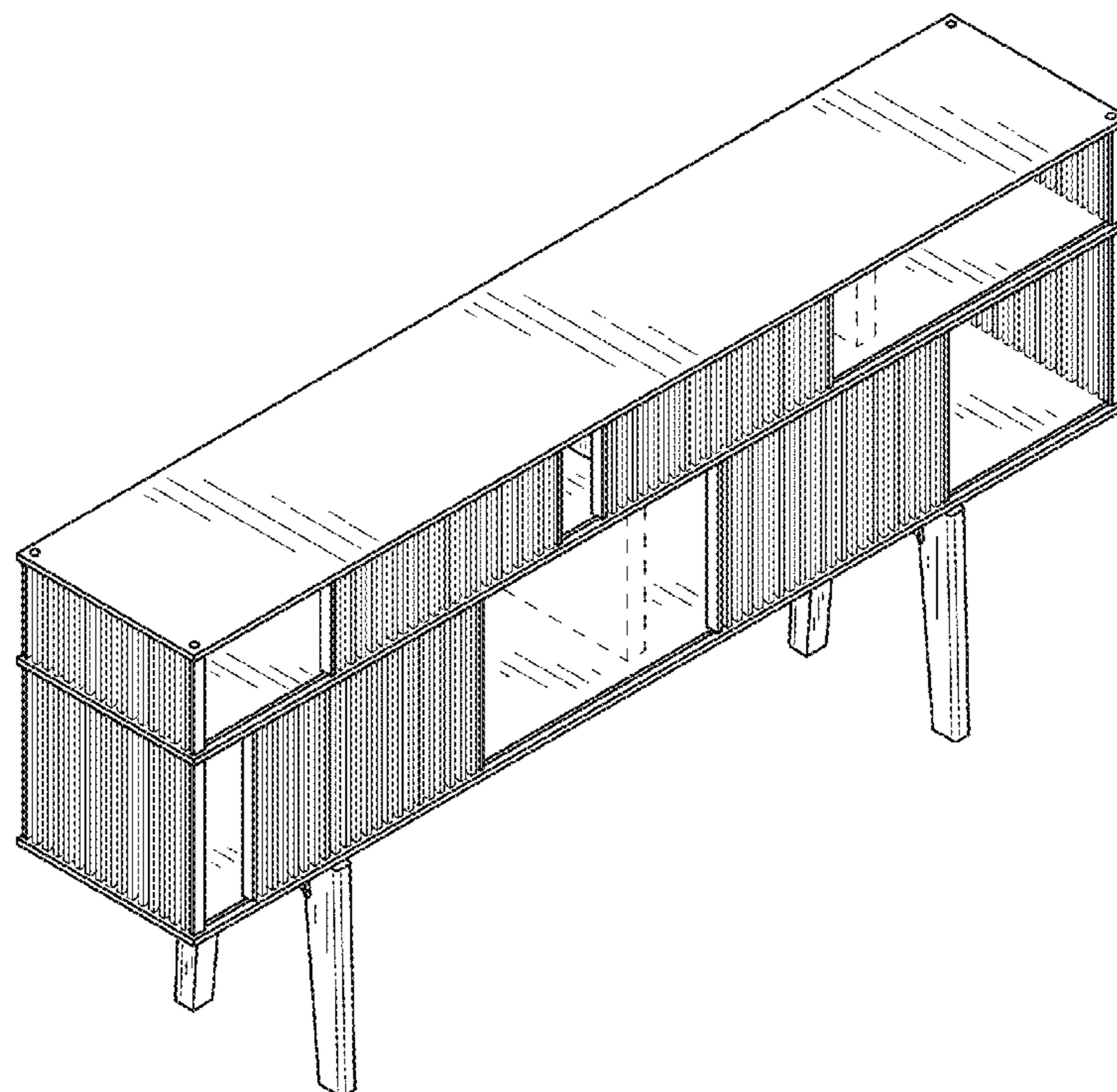
The ornamental design for a cabinet, as shown and described.

DESCRIPTION

FIG. 1 is a perspective view of a cabinet showing the design; FIG. 2 is a front view thereof; FIG. 3 is a back view thereof; FIG. 4 is a right side view thereof; FIG. 5 is a left side view thereof; FIG. 6 is a top view thereof; and, FIG. 7 is a bottom view thereof.

The broken lines showing the rectangle dividers that can be seen in the interior of the cabinet, and the broken lines showing the bottom features of the cabinet are included for the purpose of illustrating environment and form no part of the claimed design.

1 Claim, 4 Drawing Sheets



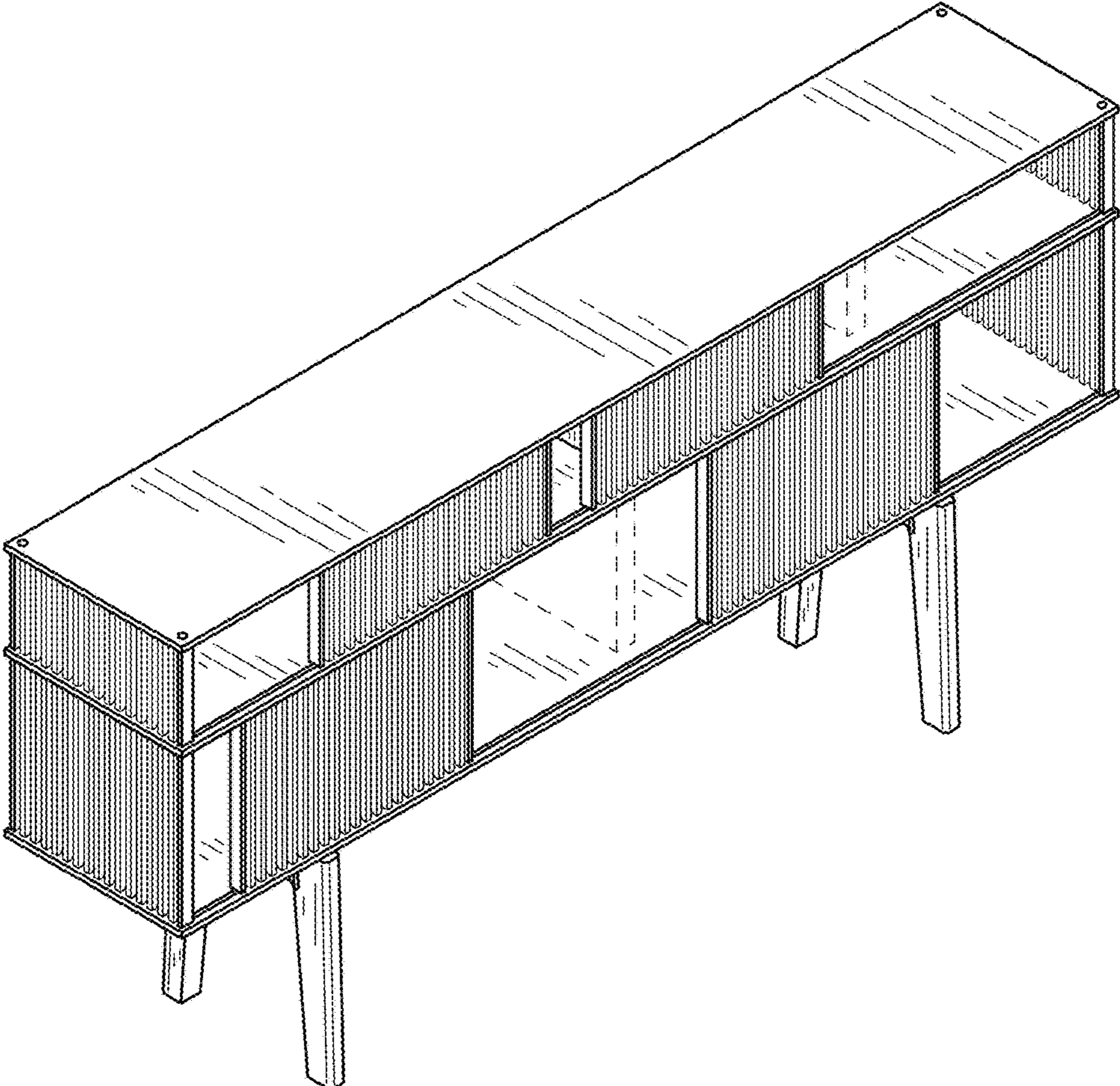


FIG.1

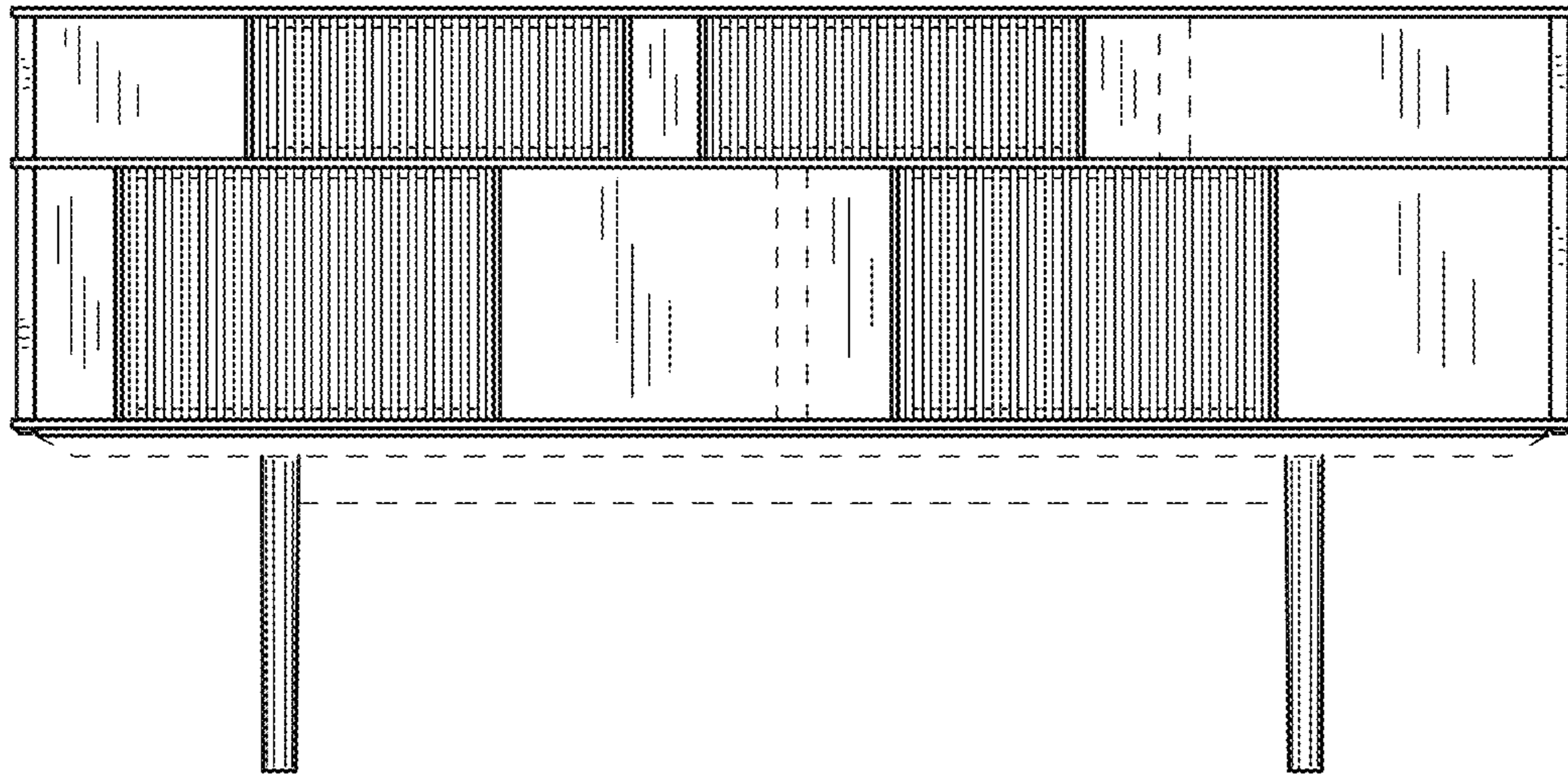


FIG. 2

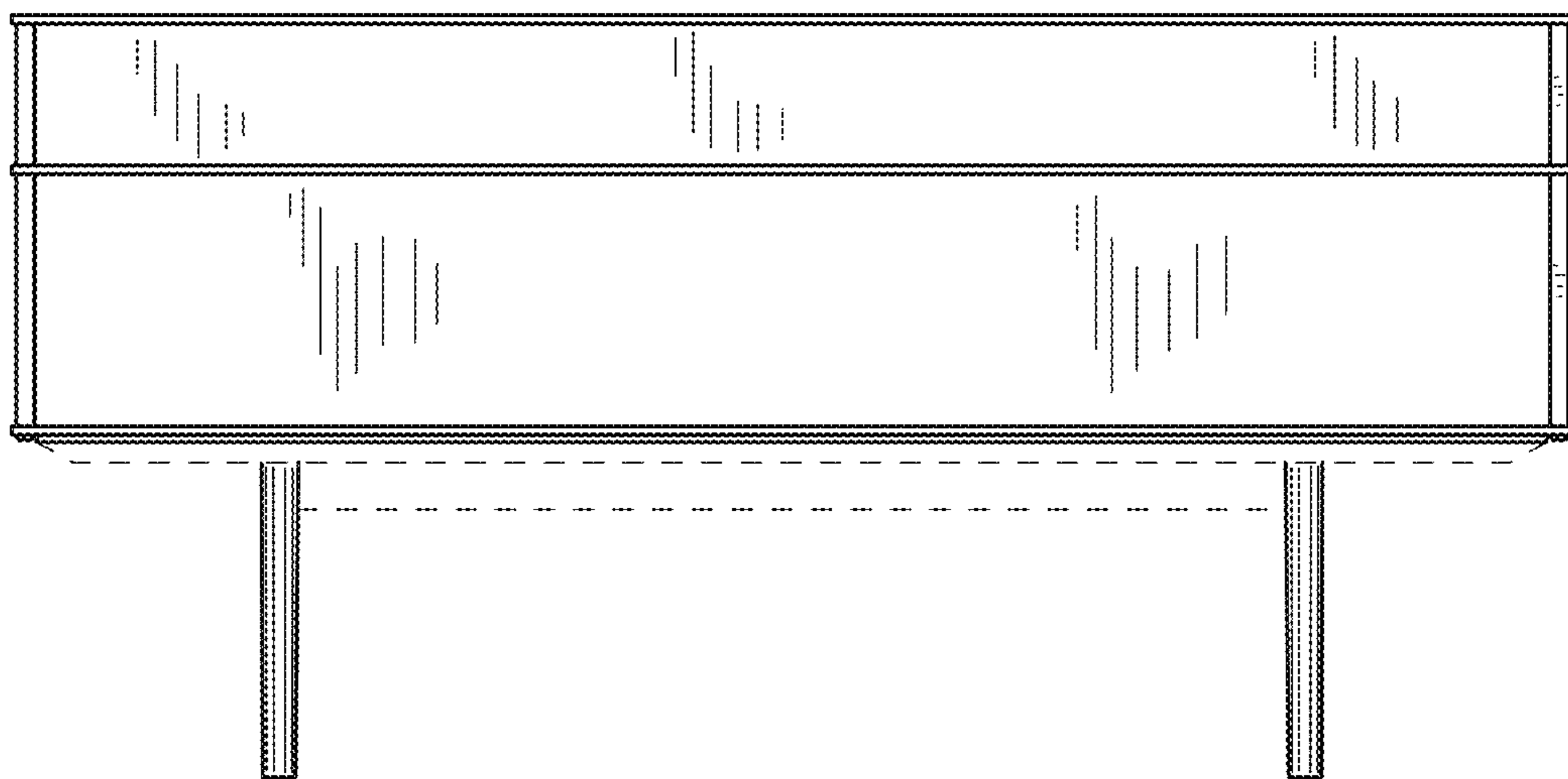


FIG. 3

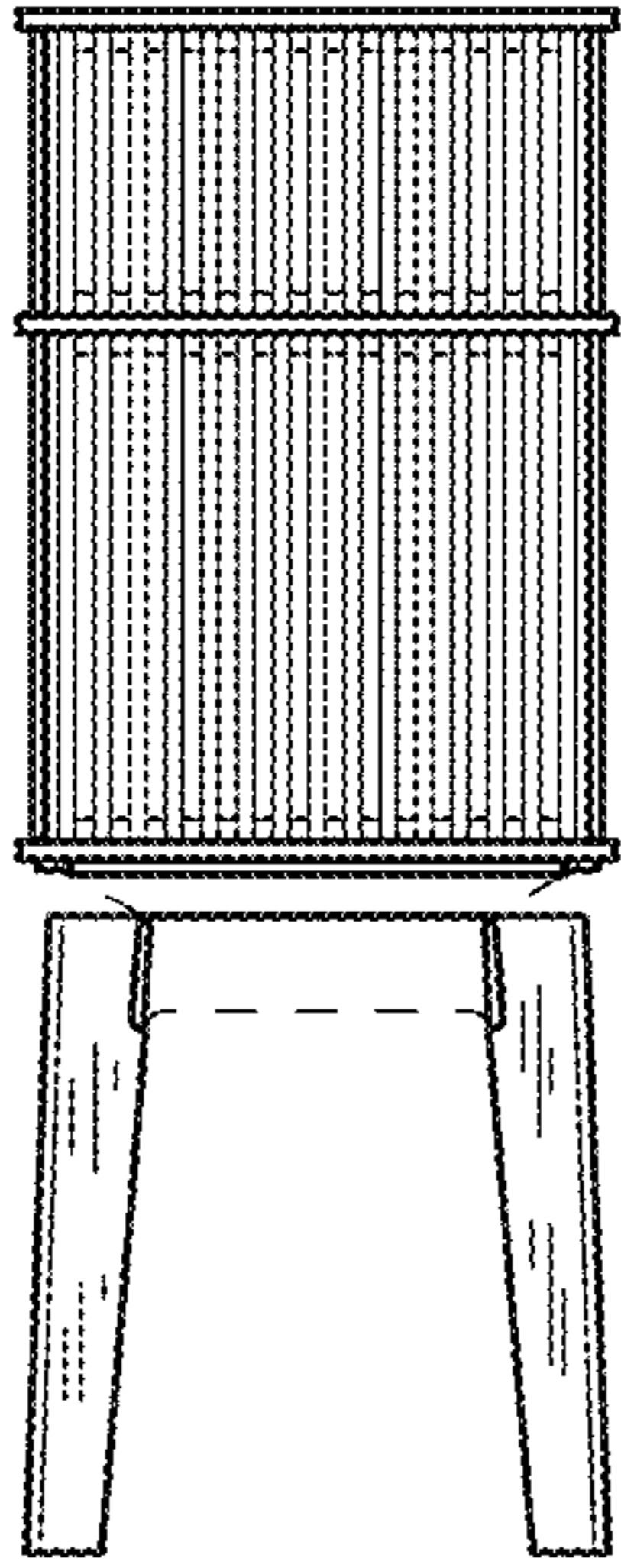


FIG.4

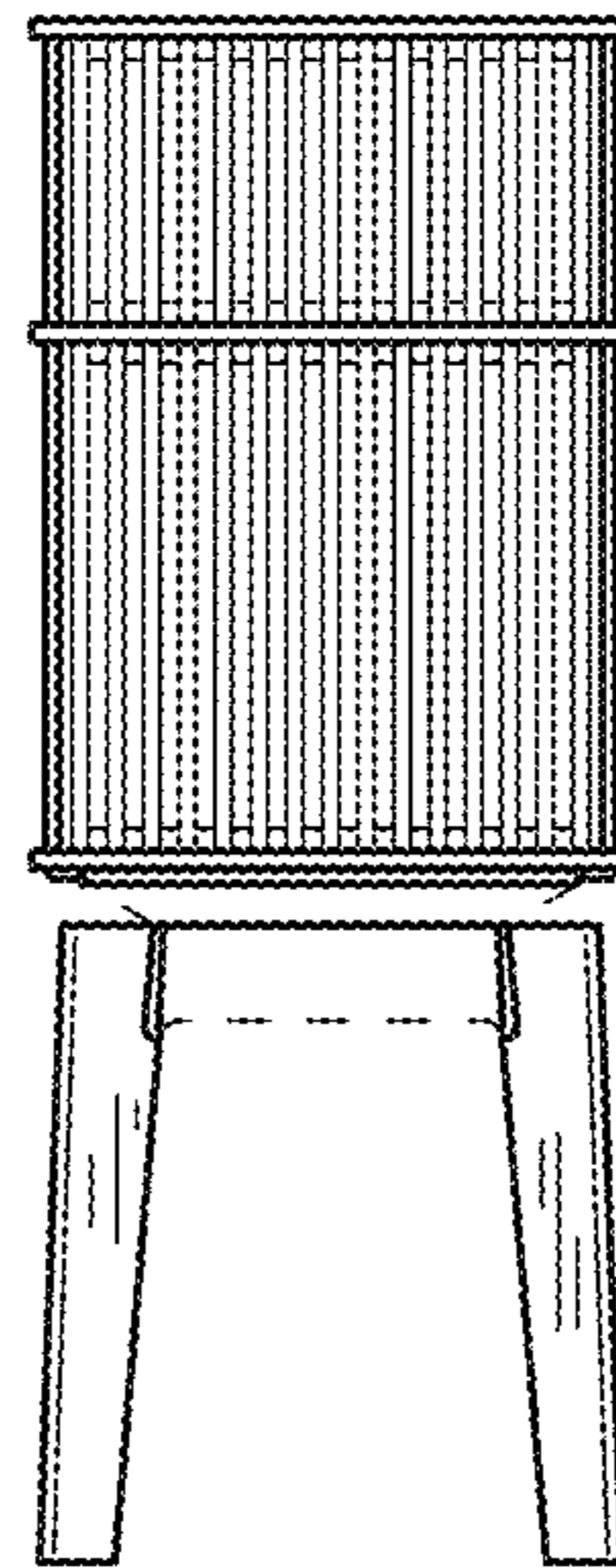


FIG.5

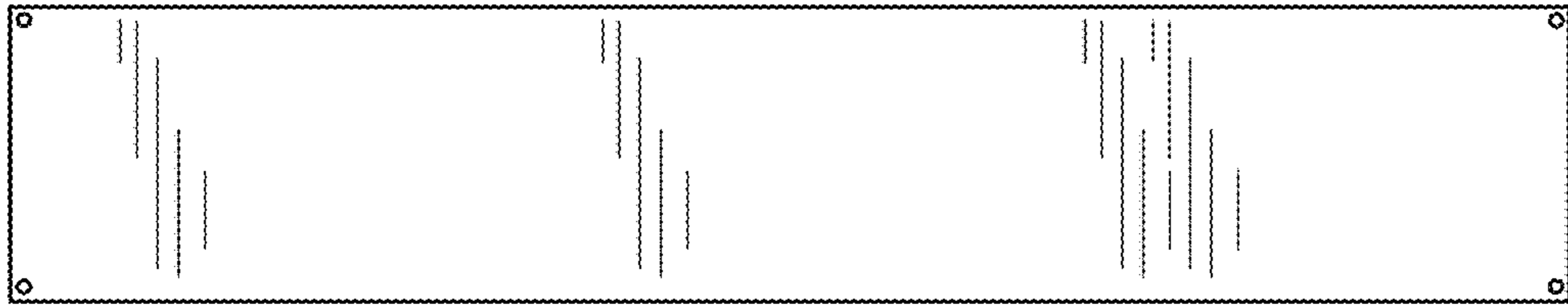


FIG. 6

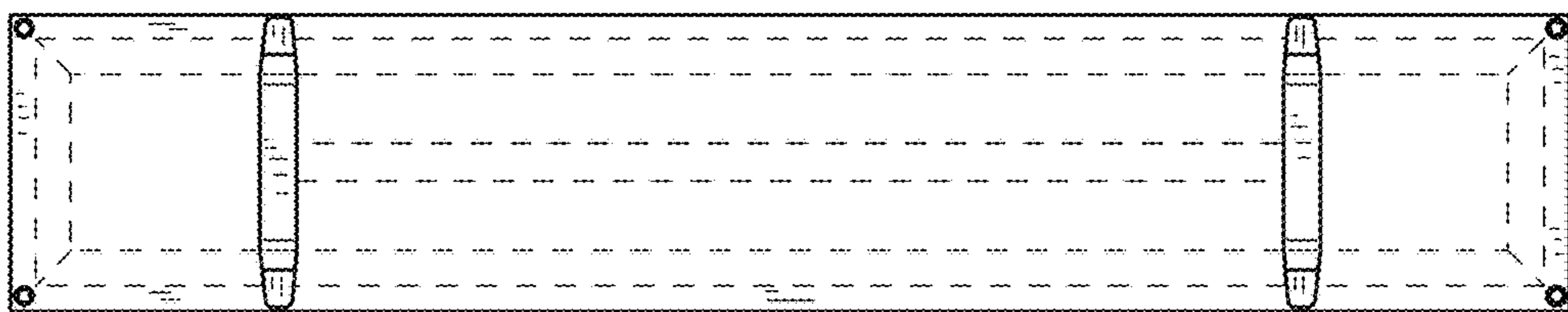


FIG. 7