



US00D825227S

(12) **United States Design Patent** (10) **Patent No.:** **US D825,227 S**
Goh et al. (45) **Date of Patent:** **** Aug. 14, 2018**

(54) **DISPLAY CASE**
 (71) Applicant: **Comicave Studios Pte Ltd**, Singapore (SG)
 (72) Inventors: **Zheng Ning Goh**, Singapore (SG); **Ka-Wei Wong**, Singapore (SG); **Siti Rasyiqah Binte Mohamad**, Singapore (SG)

D386,112 S * 11/1997 Wolf D11/131
 5,988,424 A * 11/1999 Kovens B65D 43/169
 206/540
 D425,352 S * 5/2000 Paskan D6/552
 D478,813 S * 8/2003 Beene D9/519
 D610,458 S * 2/2010 Martin D9/414
 D661,540 S * 6/2012 Facey D7/354

(Continued)

(73) Assignee: **Comicave Studios Pte Ltd**, Singapore (SG)

(**) Term: **15 Years**

(21) Appl. No.: **29/575,957**

(22) Filed: **Aug. 30, 2016**

(51) **LOC (11) Cl.** **20-02**

(52) **U.S. Cl.**
 USPC **D6/675**

(58) **Field of Classification Search**
 USPC D6/300, 301, 314, 552, 661, 668, 672, D6/673, 675, 678, 680.2, 682, 682.1, 683; D9/418, 432, 436, 445, 454, 503, 668; D3/304, 315; D15/79, 81; D19/76; D26/51, 118; D30/101; D20/10; D99/5, D99/17; 206/315.1, 315.9, 777; D21/686; 362/612; 211/64; D28/83; 312/111
 CPC A61G 17/00; A63B 22/0605; A47F 3/00; A47F 3/08; A47F 3/004; A47F 7/0057; A47F 2007/0092; A47F 3/10
 See application file for complete search history.

(56) **References Cited**

U.S. PATENT DOCUMENTS

4,103,774 A * 8/1978 Shingyouchi A45C 1/12
 206/216
 4,765,501 A * 8/1988 Kao B65D 11/02
 220/4.21
 D348,378 S * 7/1994 Crane D6/661.3

OTHER PUBLICATIONS
 Giggle Time Toys [online] found on Nov. 14, 2017 from URL http://www.giggletimetoy.com/product/230AE.php?gclid=EAlalQobChMlpsXj4su-1wIVUUsNCh2kwRTEAQYBSABEgK1VfD_BwE (Year: 2017).*

(Continued)

Primary Examiner — Manpreet Matharu
Assistant Examiner — Keith Wilson
 (74) *Attorney, Agent, or Firm* — Polsinelli LLP

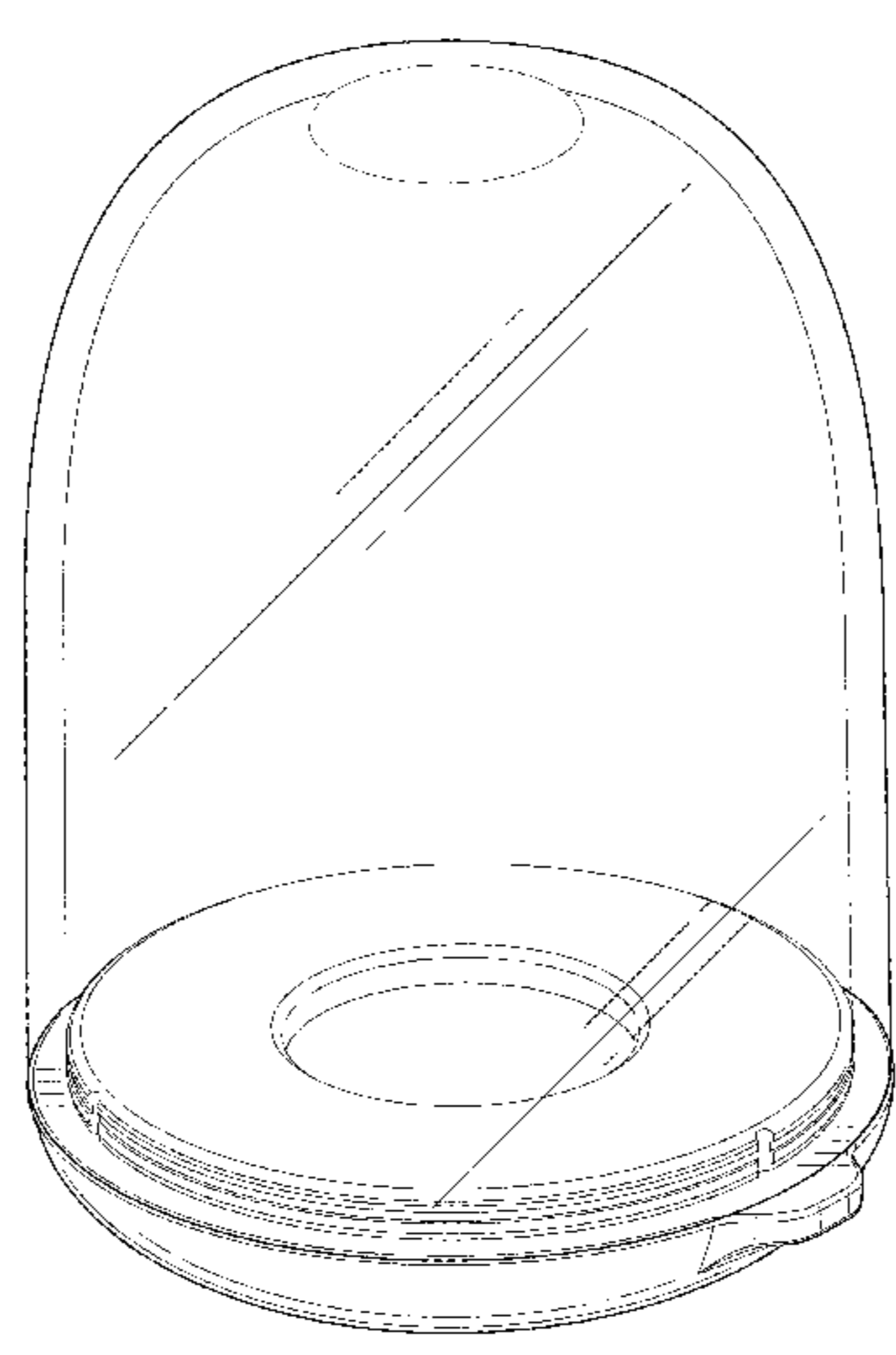
(57) **CLAIM**

We claim the ornamental design for a display case, as shown and described.

DESCRIPTION

FIG. 1 is a perspective, exploded view of a display case, showing our new design;
 FIG. 2 is a top, assembled perspective view of the display case of FIG. 1;
 FIG. 3 is a bottom perspective view of FIG. 2;
 FIG. 4 is a left side elevational view of FIG. 2;
 FIG. 5 is a right side elevational view of FIG. 2;
 FIG. 6 is a front elevational view of FIG. 2;
 FIG. 7 is a rear elevational view of FIG. 2;
 FIG. 8 is a top plan view of FIG. 2; and,
 FIG. 9 is a bottom plan view of FIG. 2.
 The circular shade line in FIGS. 1, 2, 3, and 8 are meant to denote the flatness of the top of the display case and form no part of the claimed design.

1 Claim, 9 Drawing Sheets



(56)

References Cited

U.S. PATENT DOCUMENTS

D663,203 S * 7/2012 Bodkin D9/436
D785,976 S * 5/2017 Hagerty D6/303

OTHER PUBLICATIONS

Chica and Jo [online] found on Nov. 14, 2017 from URL <http://www.chicaandjo.com/2008/10/27/make-your-own-snowglobes/>
(Year: 2008).*

Comic Cave Studios [online] found on Nov. 20, 2017 from URL
<http://www.comicavestudios.com/podz> (Year: 2017).*

* cited by examiner

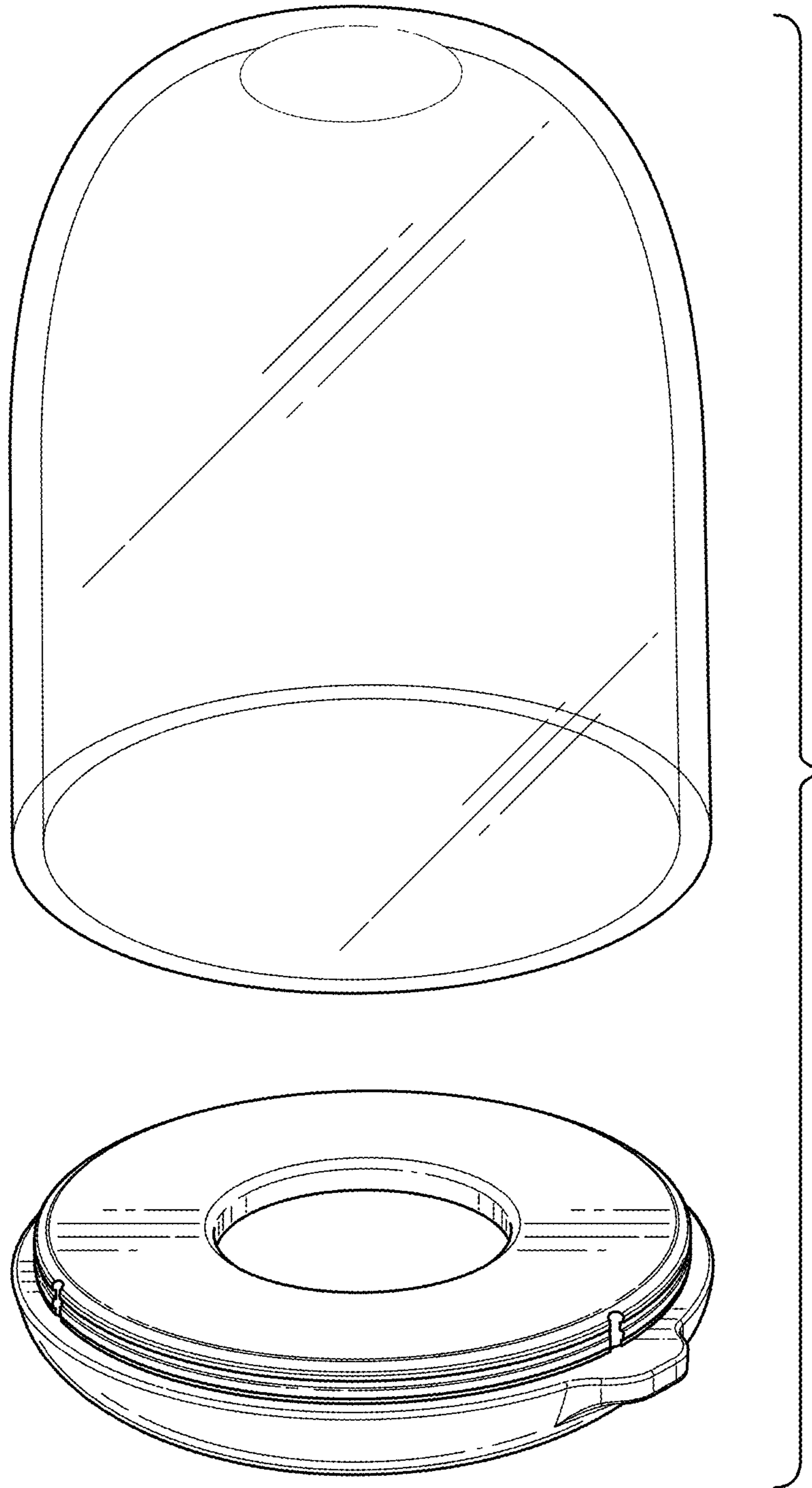


FIG. 1

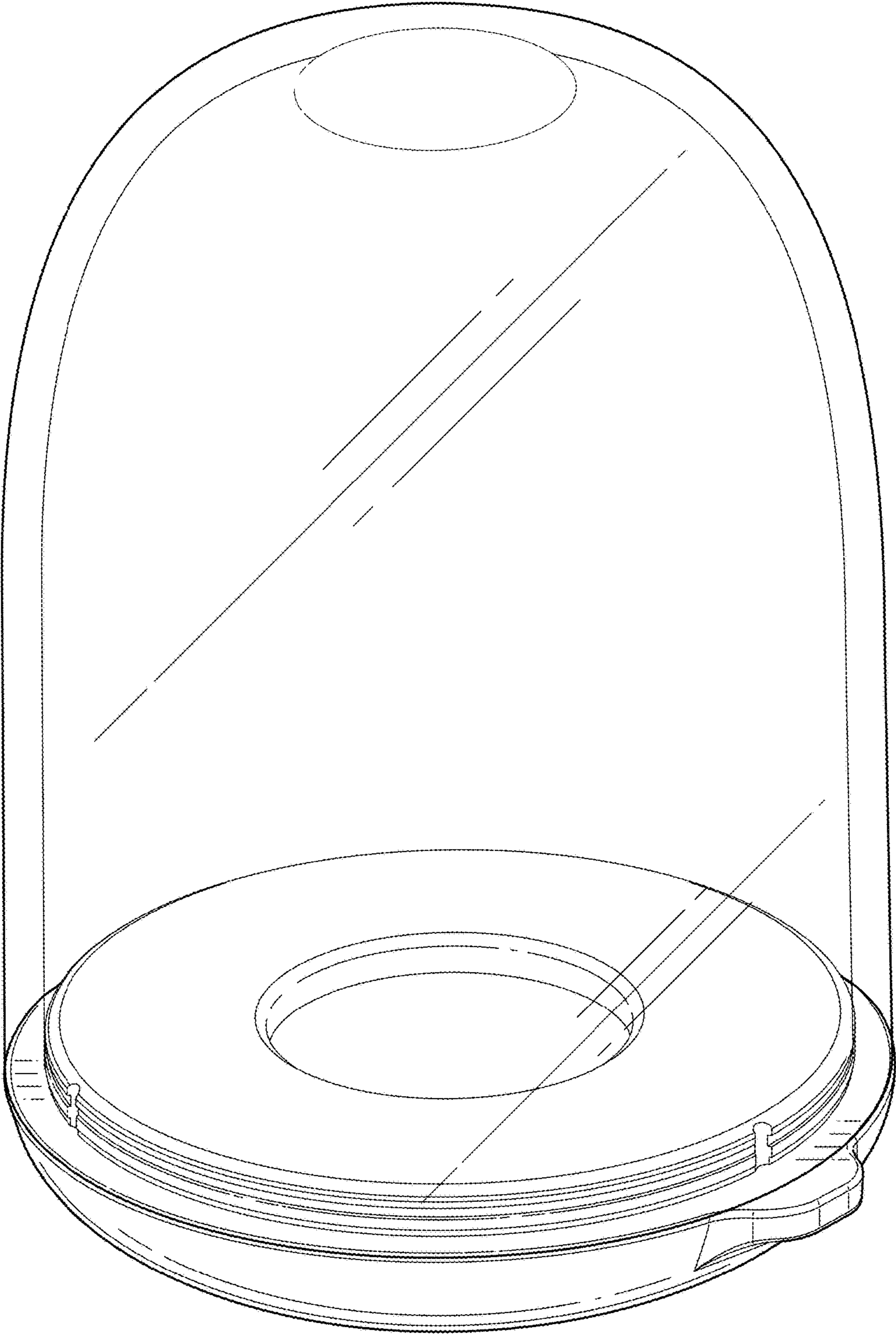


FIG. 2

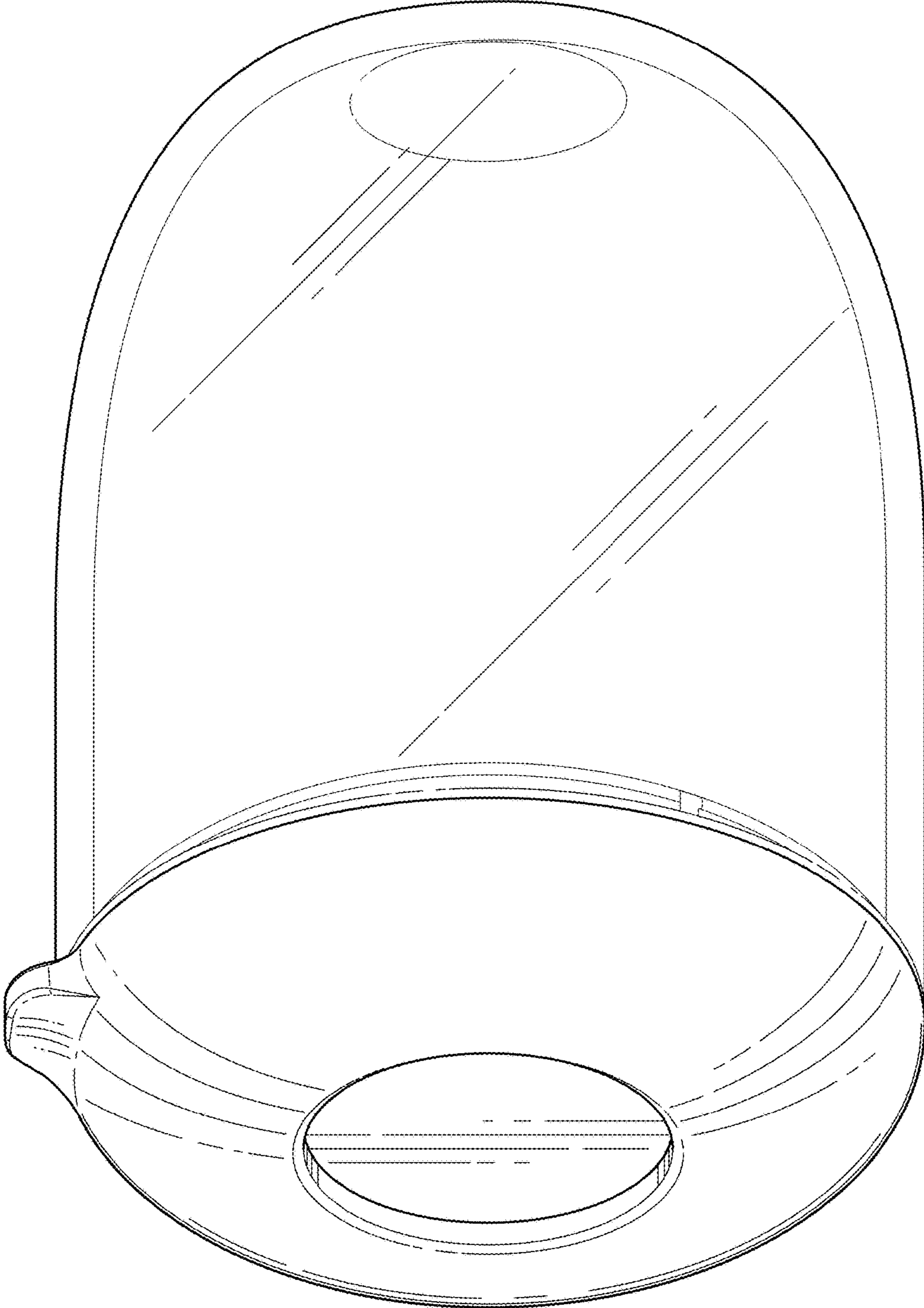


FIG. 3

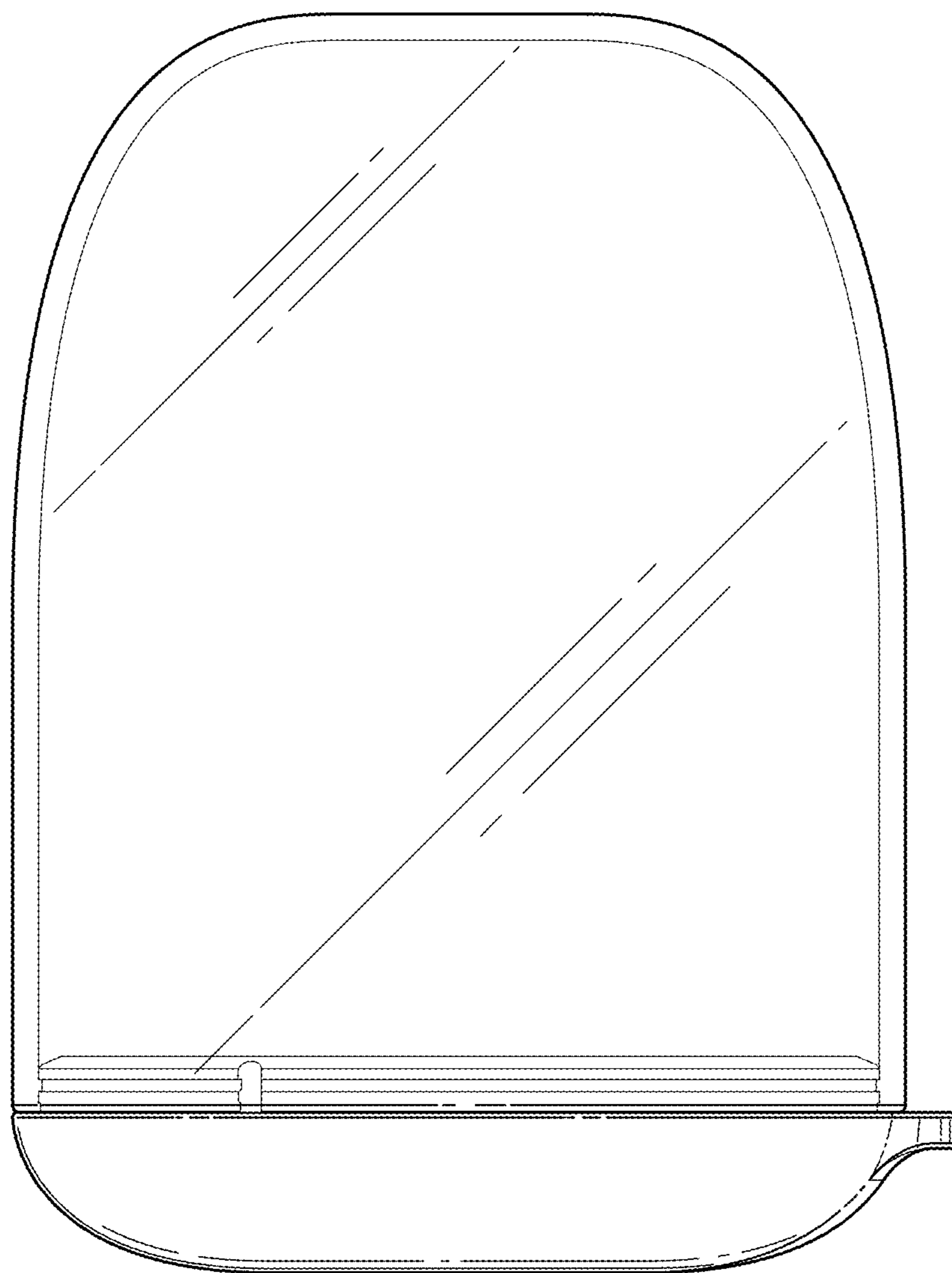


FIG. 4

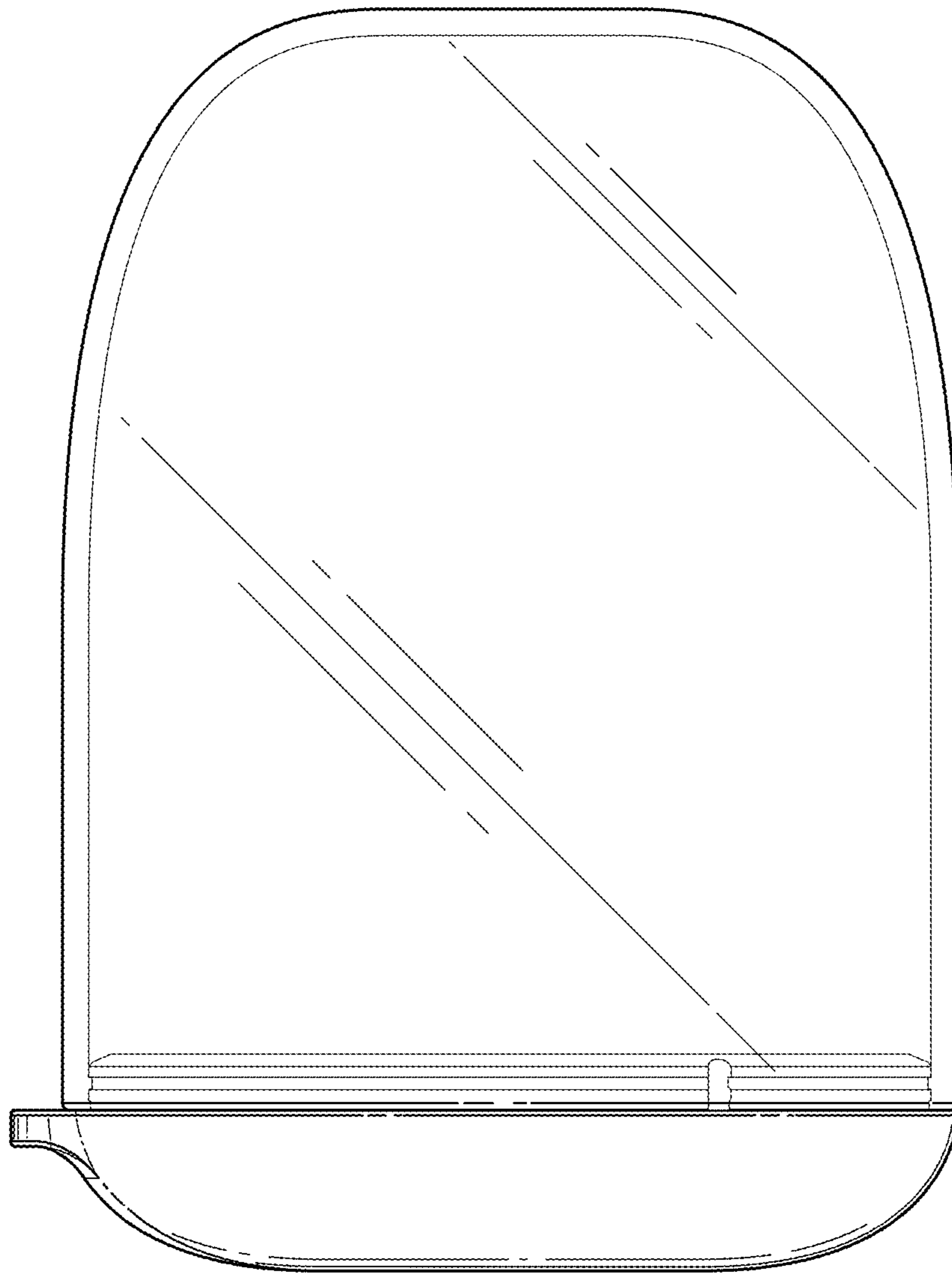


FIG. 5

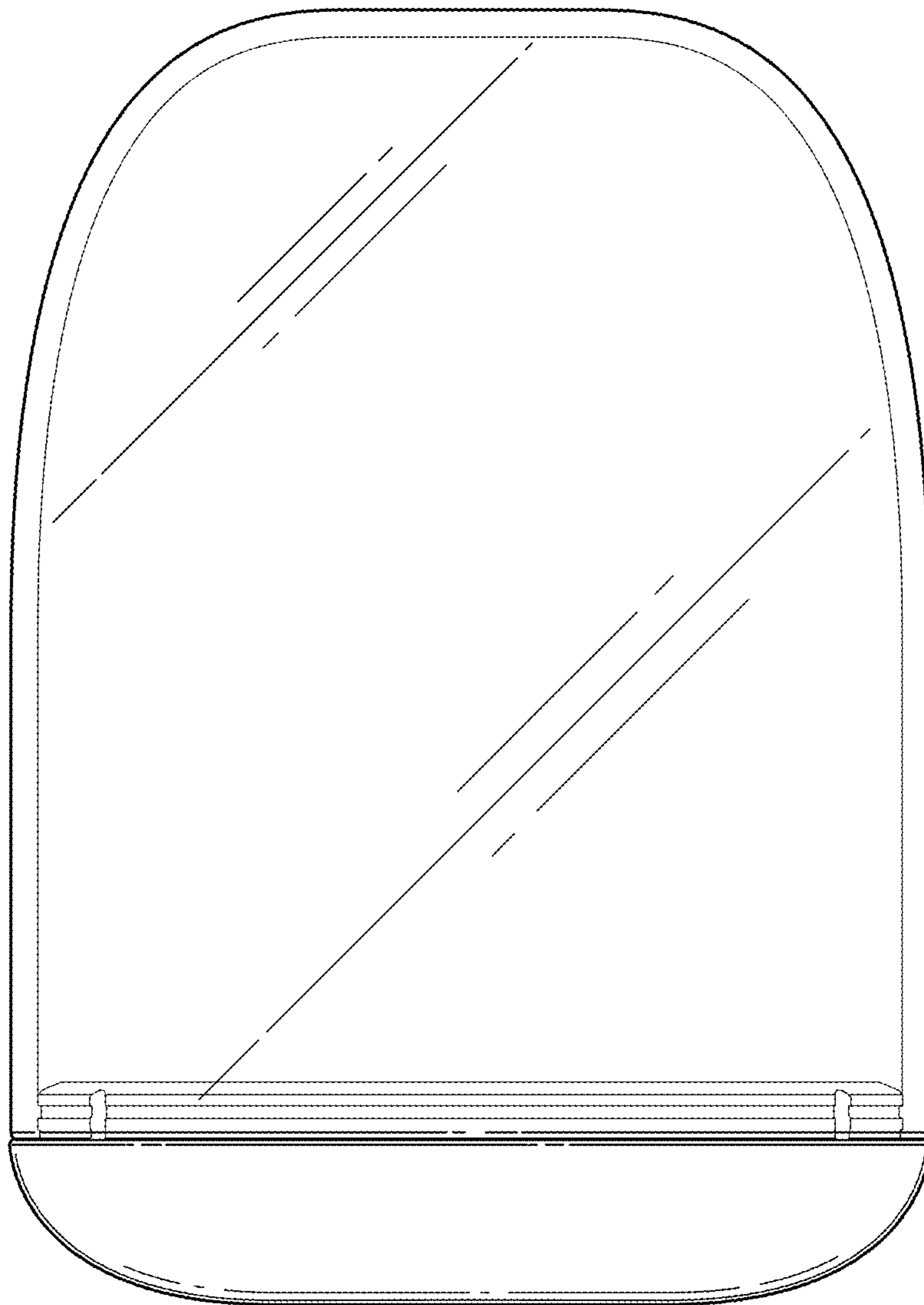


FIG. 6

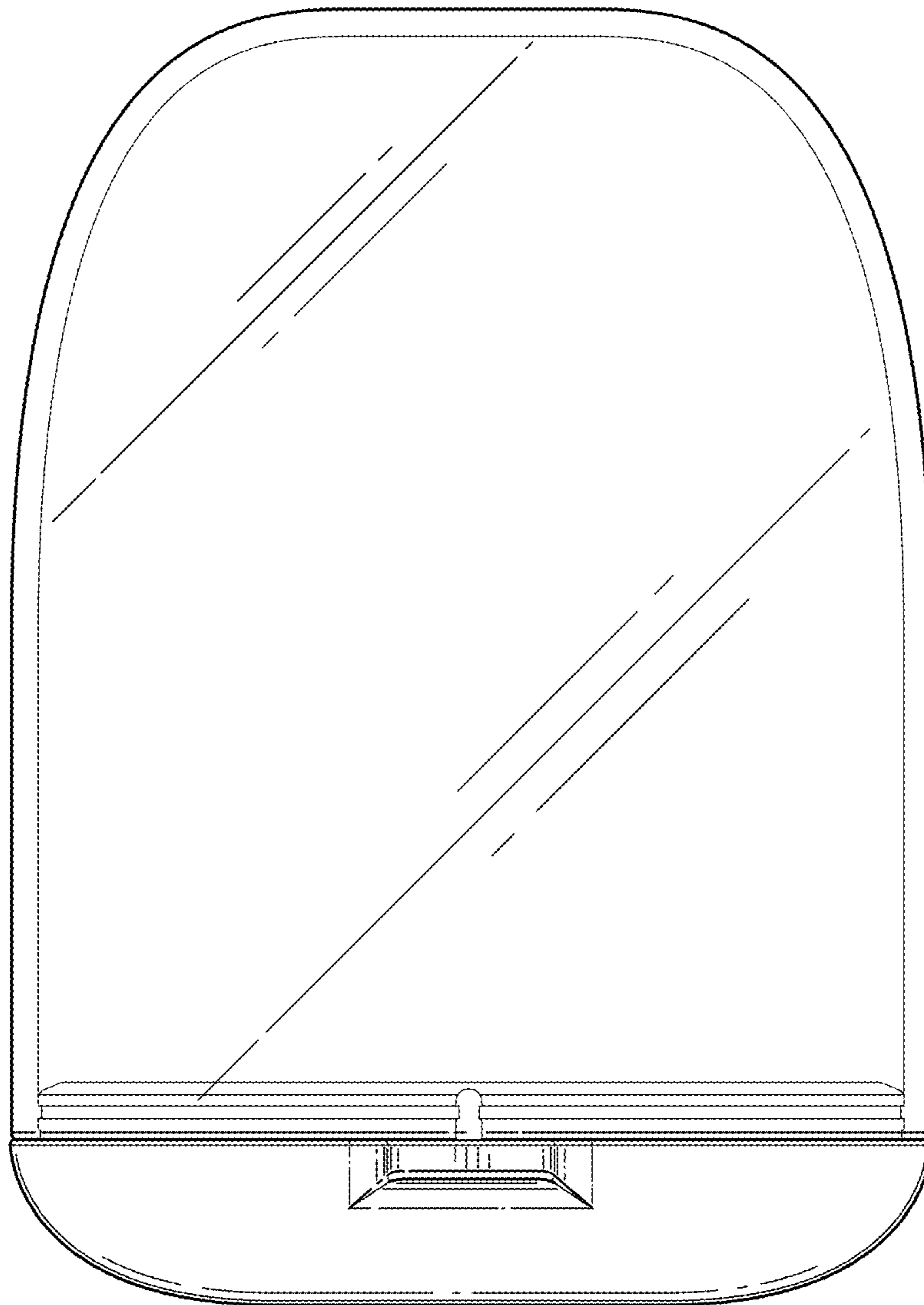


FIG. 7

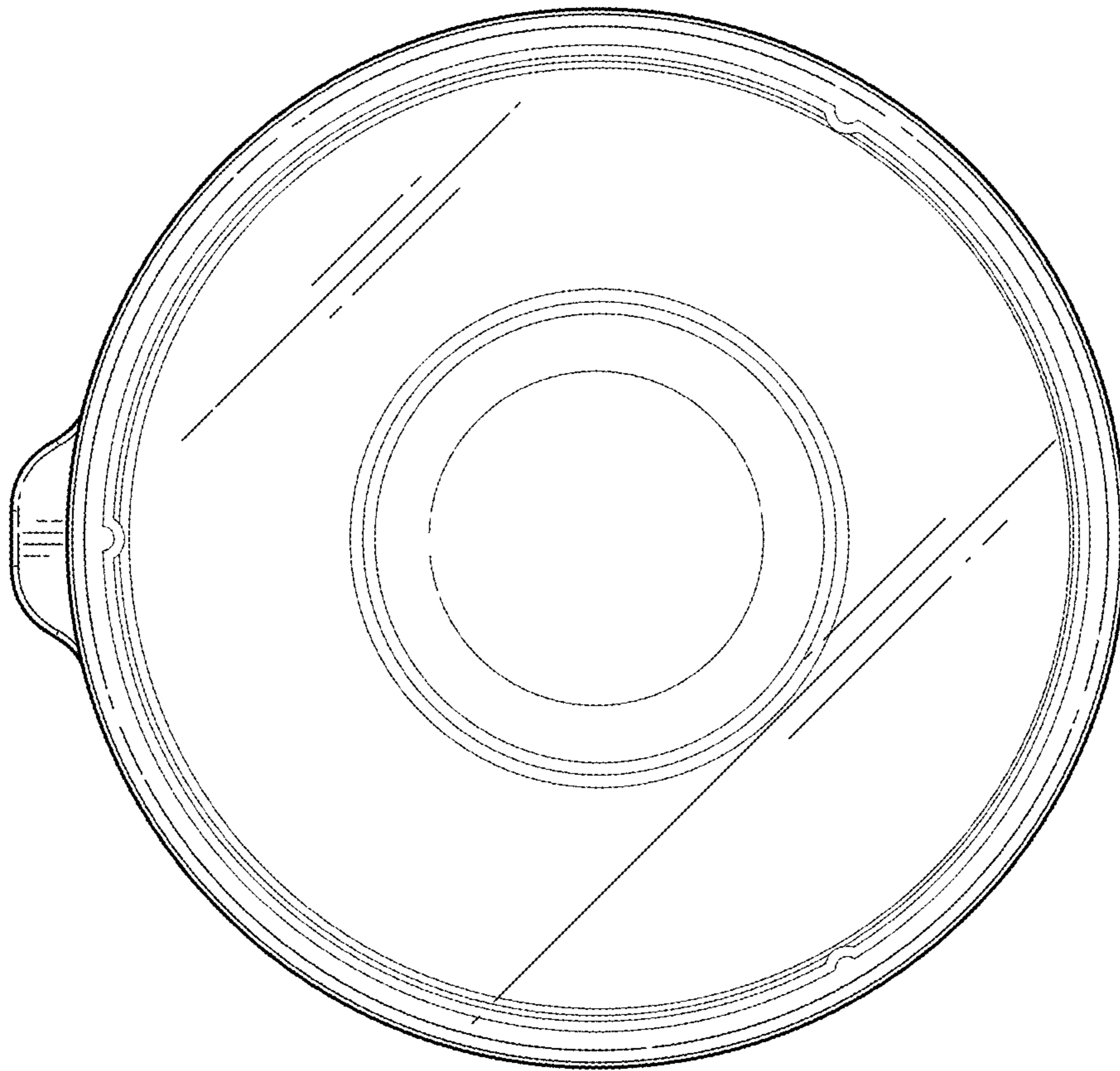


FIG. 8

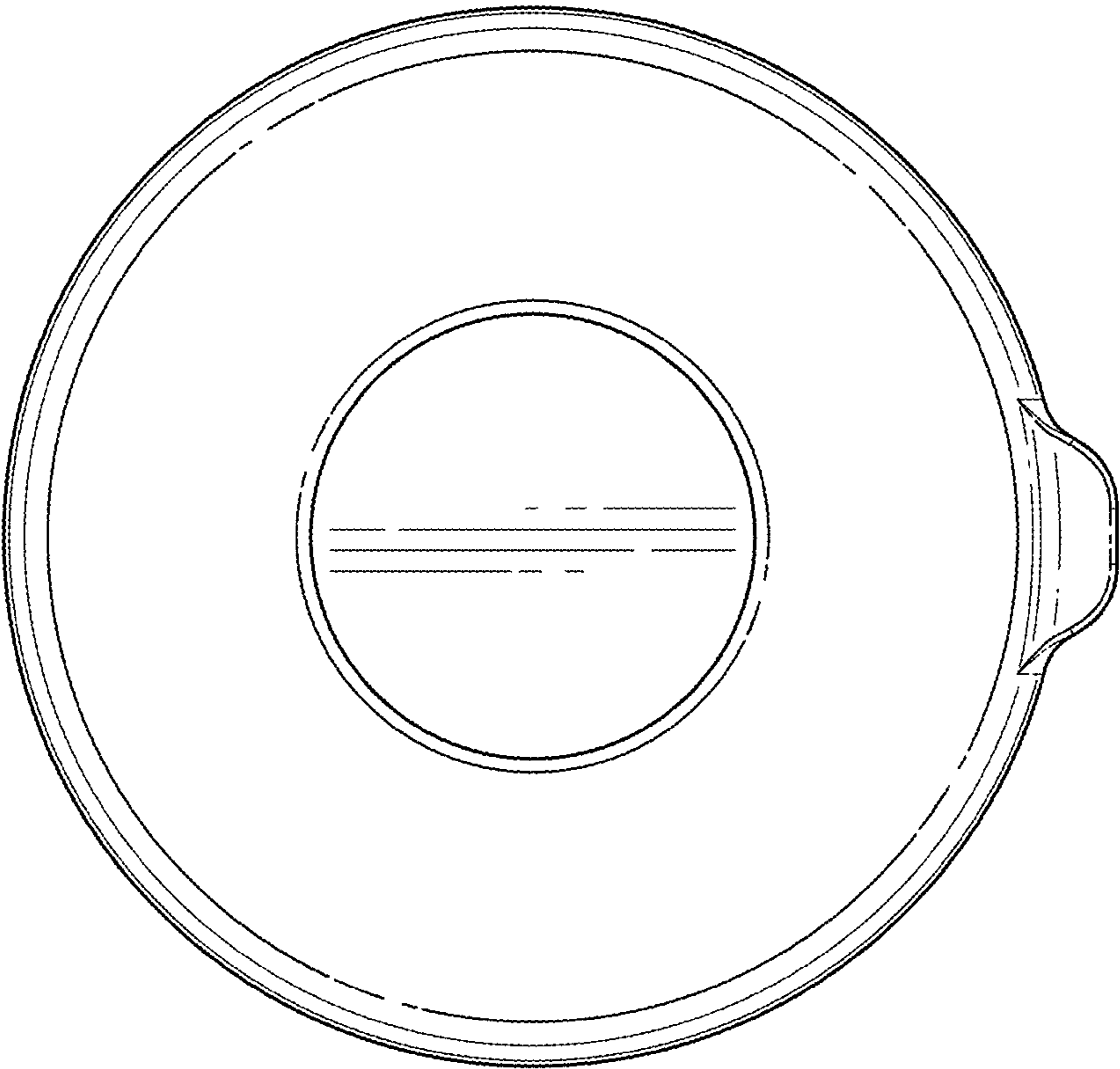


FIG. 9