



US00D825224S

(12) **United States Design Patent**
Maliwanag, II

(10) **Patent No.:** **US D825,224 S**

(45) **Date of Patent:** **** Aug. 14, 2018**

(54) **COMPUTER GAMING DESK**

(71) Applicant: **Santiago Jose F. Maliwanag, II**, Seal
Beach, CA (US)

(72) Inventor: **Santiago Jose F. Maliwanag, II**, Seal
Beach, CA (US)

(**) Term: **15 Years**

(21) Appl. No.: **29/583,721**

(22) Filed: **Nov. 8, 2016**

(51) **LOC (11) Cl.** **06-03**

(52) **U.S. Cl.**
USPC **D6/654.1**

(58) **Field of Classification Search**
USPC D6/641, 642, 648, 648.1, 648.2, 648.3,
D6/648.4, 649, 653, 654.1, 655, 655.11,
D6/655.13, 656, 656.15, 699, 708,
D6/708.16, 708.17, 709, 709.2
CPC A47B 7/00; A47B 13/08; A47B 13/10;
A47B 21/00; A47B 2009/006; A47B
11/00; A47B 2200/002
See application file for complete search history.

(56) **References Cited**

U.S. PATENT DOCUMENTS

D217,261 S * 4/1970 Gianfunga D6/691.8
D244,114 S * 4/1977 Neff D6/691.8
D279,737 S * 7/1985 Lavenger D6/641
D424,828 S * 5/2000 Ko D6/653.1
D428,279 S * 7/2000 Olson D6/707.15

D464,212 S * 10/2002 Chen D6/653.1
D510,492 S * 10/2005 Sakurai D6/709
D558,490 S * 1/2008 Christensen D6/691.5
D586,155 S * 2/2009 Lenterman D6/654
D601,370 S * 10/2009 Kohler D6/708
D611,734 S * 3/2010 Stukenberg D6/691.8
D611,735 S * 3/2010 Stukenberg D6/691.8
D614,889 S * 5/2010 Van Duysen D6/691.5
D686,438 S * 7/2013 Denby D6/687
D784,740 S * 4/2017 Chipperfield D6/337
D802,347 S * 11/2017 Yoshida D6/709.21

* cited by examiner

Primary Examiner — Mary Ann Calabrese

Assistant Examiner — Sloan Rozin

(74) *Attorney, Agent, or Firm* — Plager Schack LLP

(57) **CLAIM**

The ornamental design for a computer gaming desk, as shown and described.

DESCRIPTION

FIG. 1 is a perspective view of the computer gaming desk. FIG. 2 is a front elevation view of the computer gaming desk.

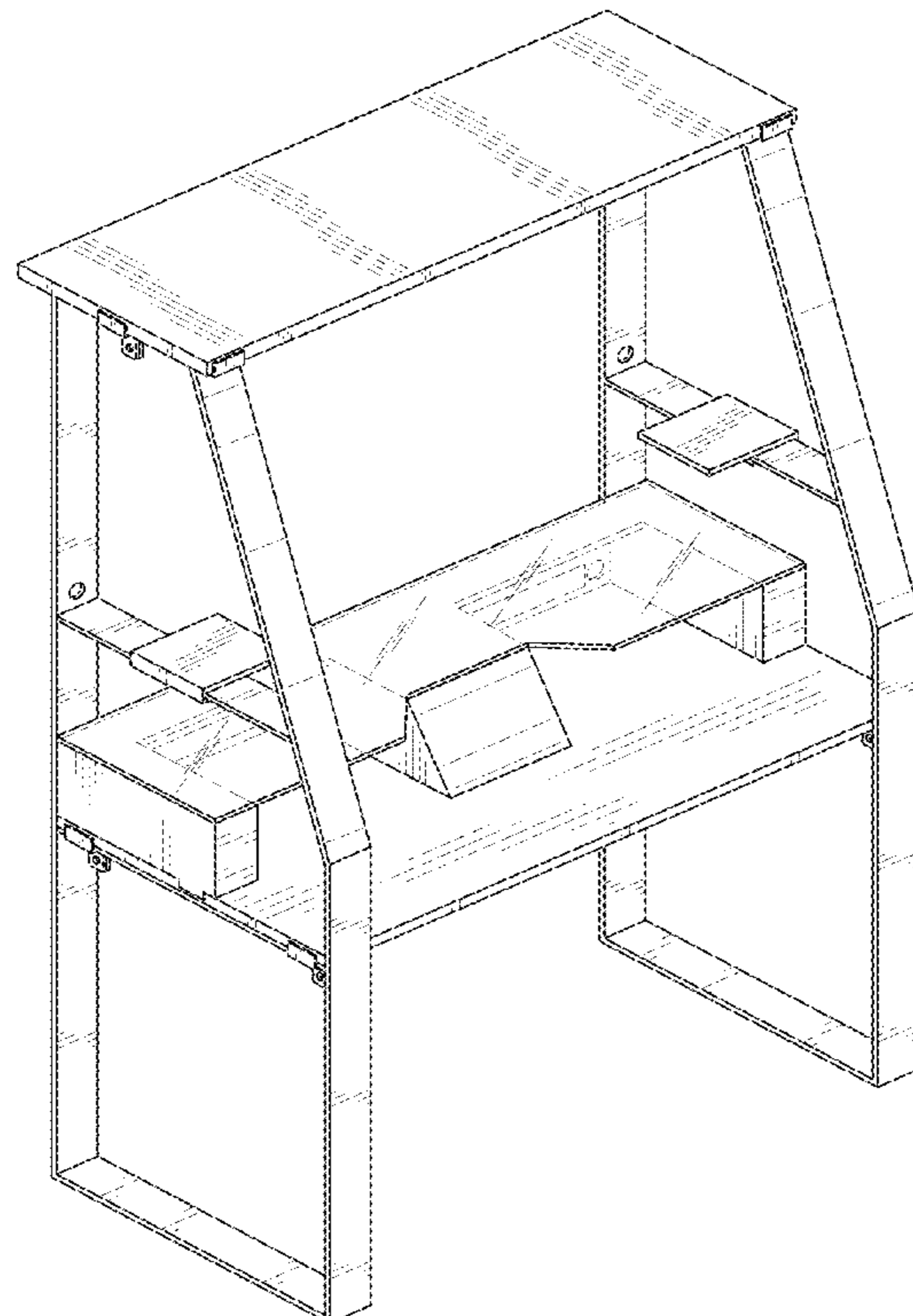
FIG. 3 is a rear elevation view of the computer gaming desk. FIG. 4 is a right side of the computer gaming desk.

FIG. 5 is a left side view of the computer gaming desk.

FIG. 6 is a top plan view of the computer gaming desk; and, FIG. 7 is a bottom plan view of the computer gaming desk.

The broken line showing of elements on the computer gaming desk illustrate portions of the article and form no part of the claimed design.

1 Claim, 7 Drawing Sheets



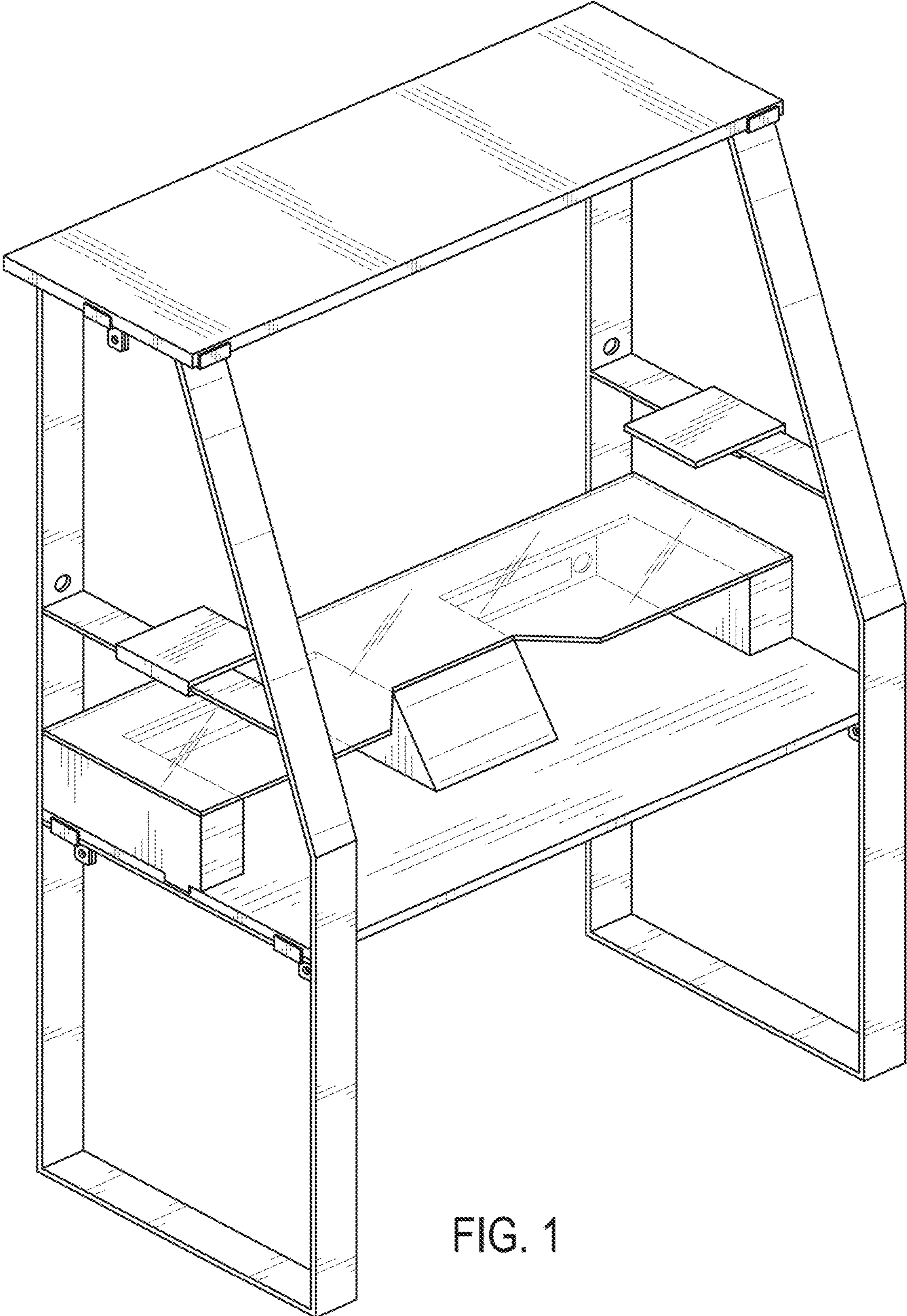


FIG. 1

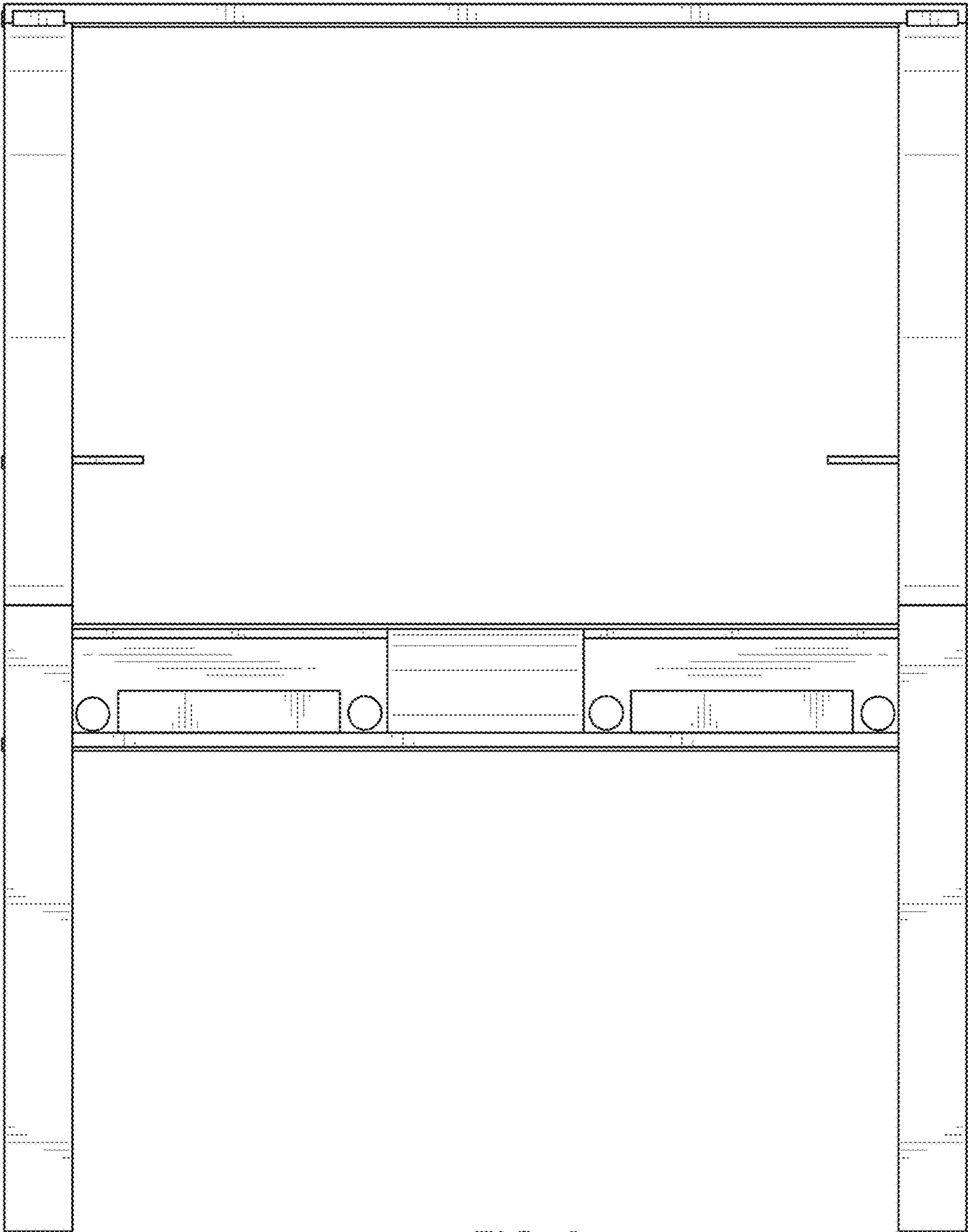


FIG. 2

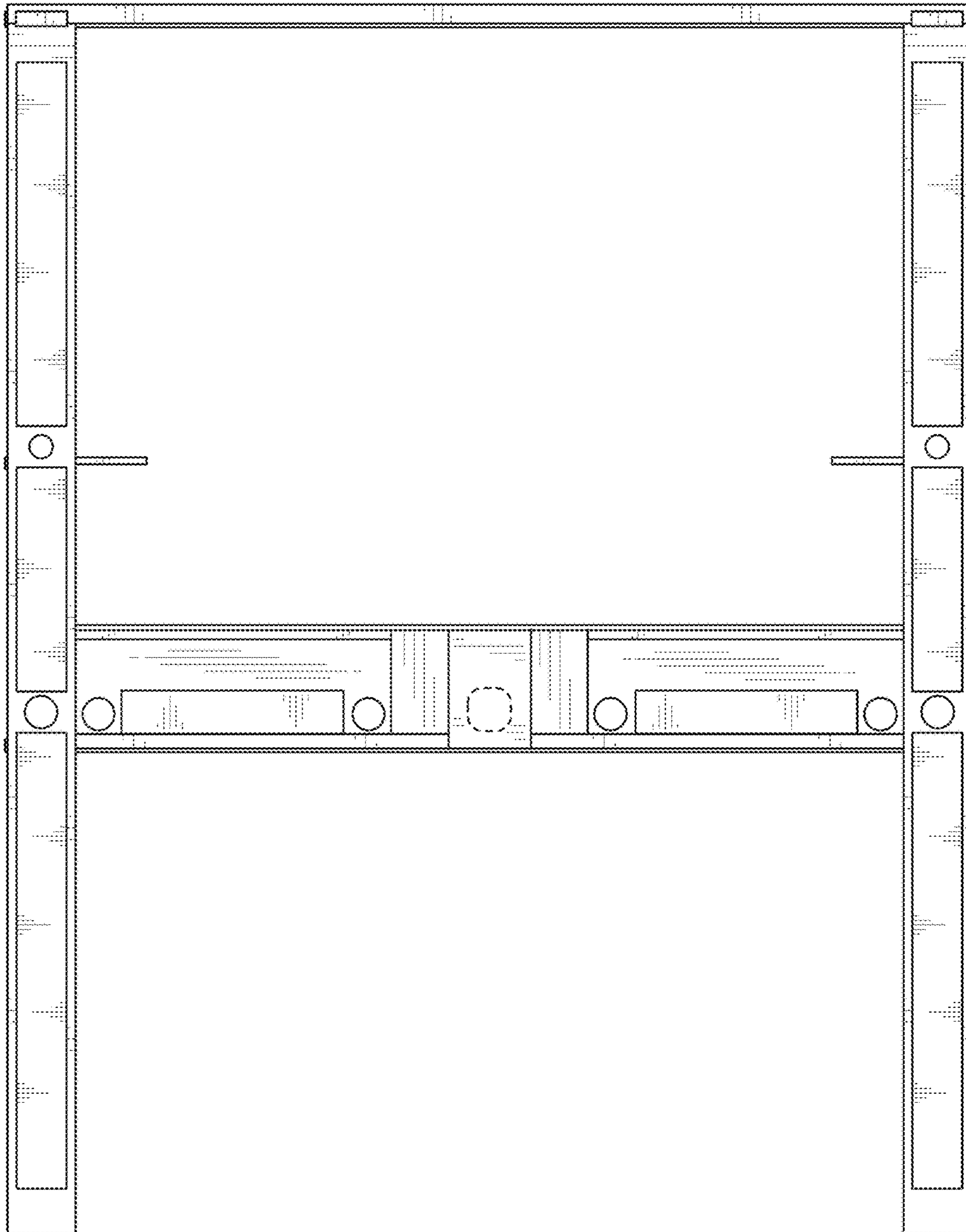


FIG. 3

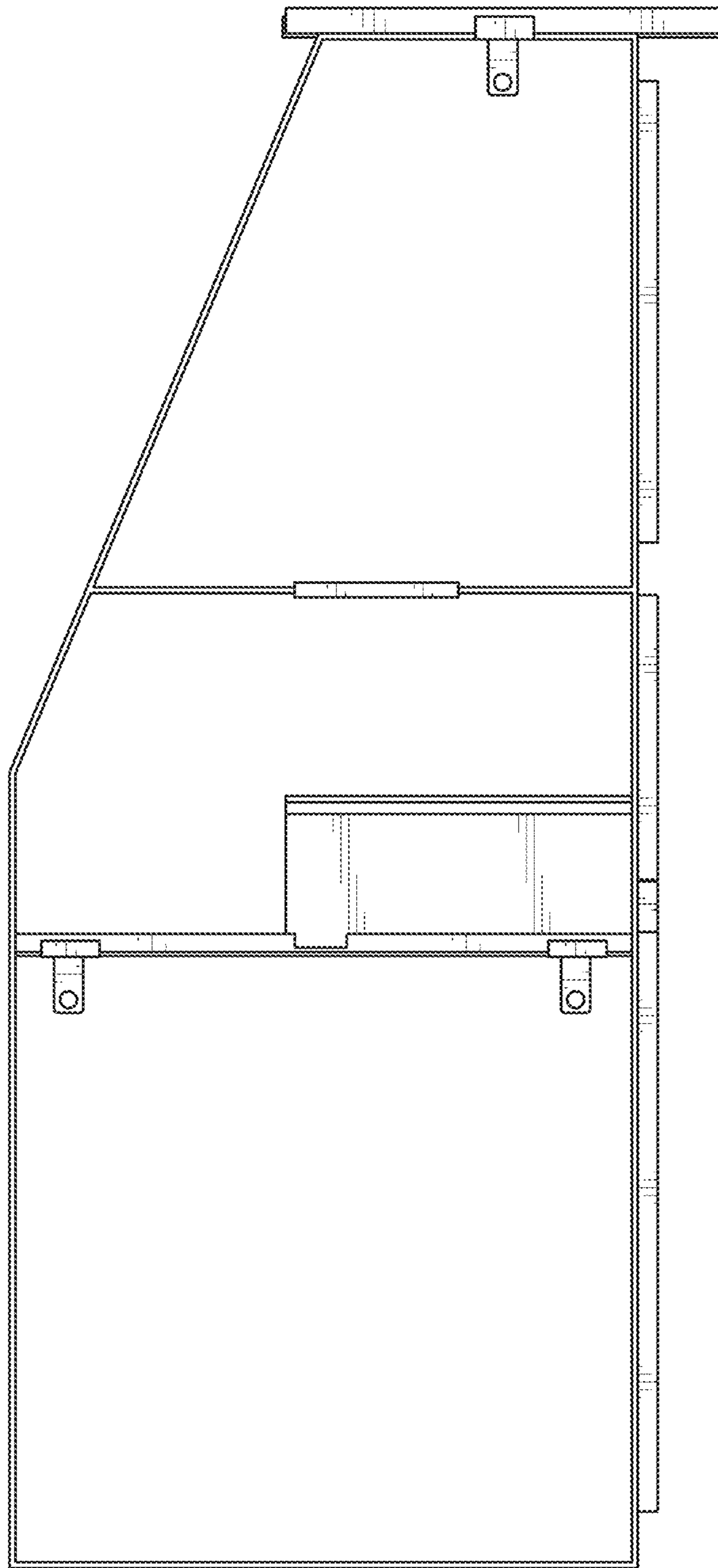


FIG. 4

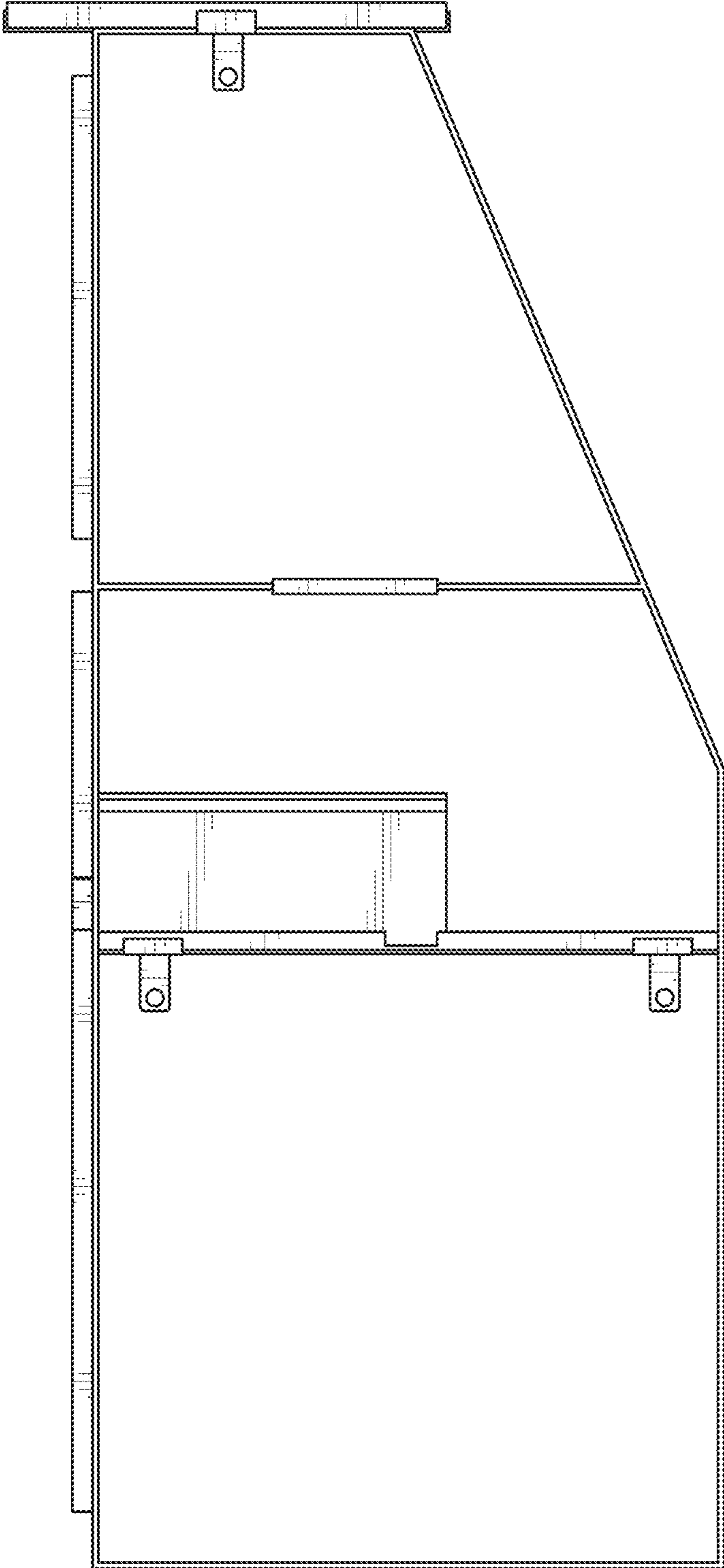


FIG. 5

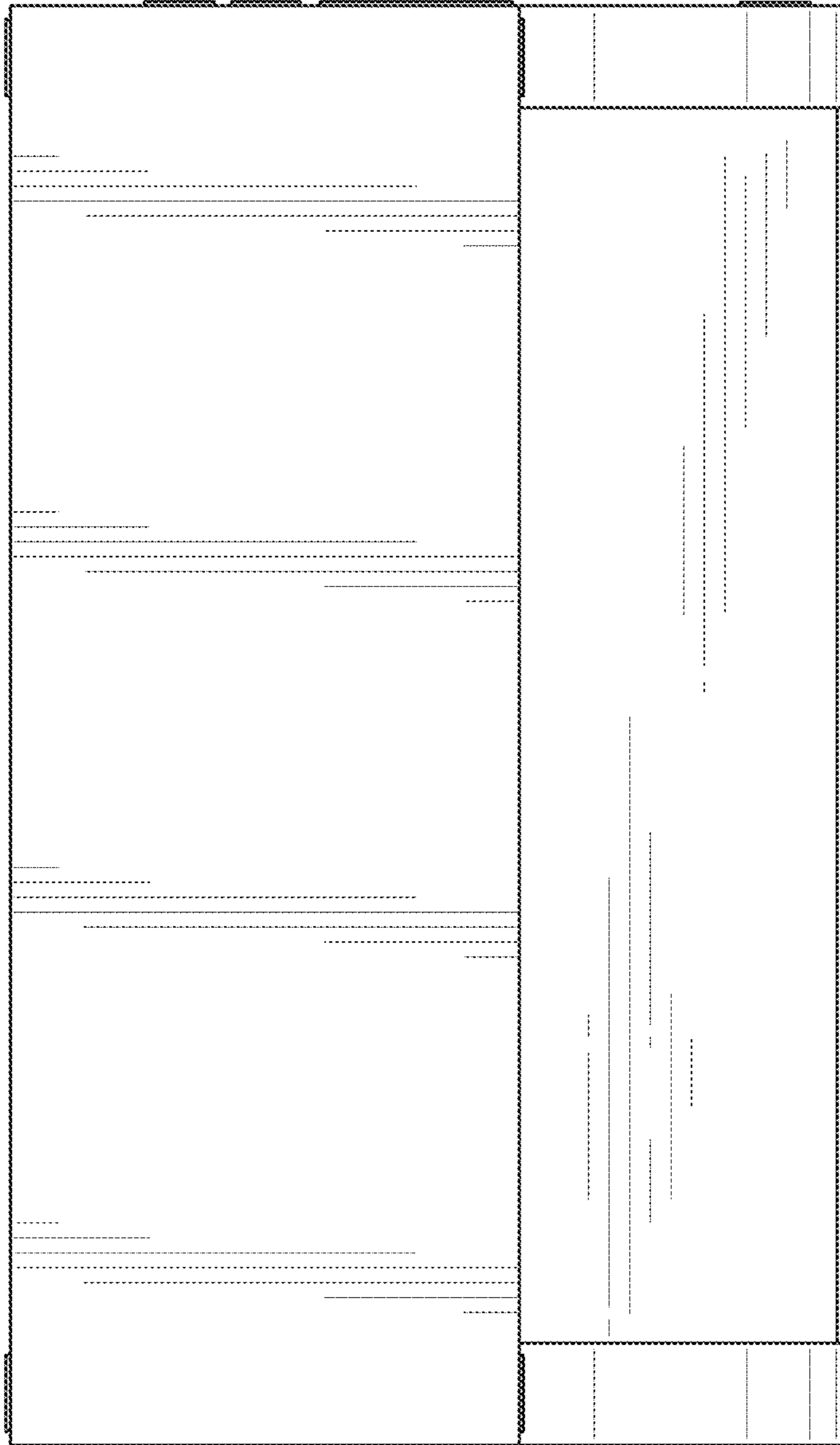


FIG. 6

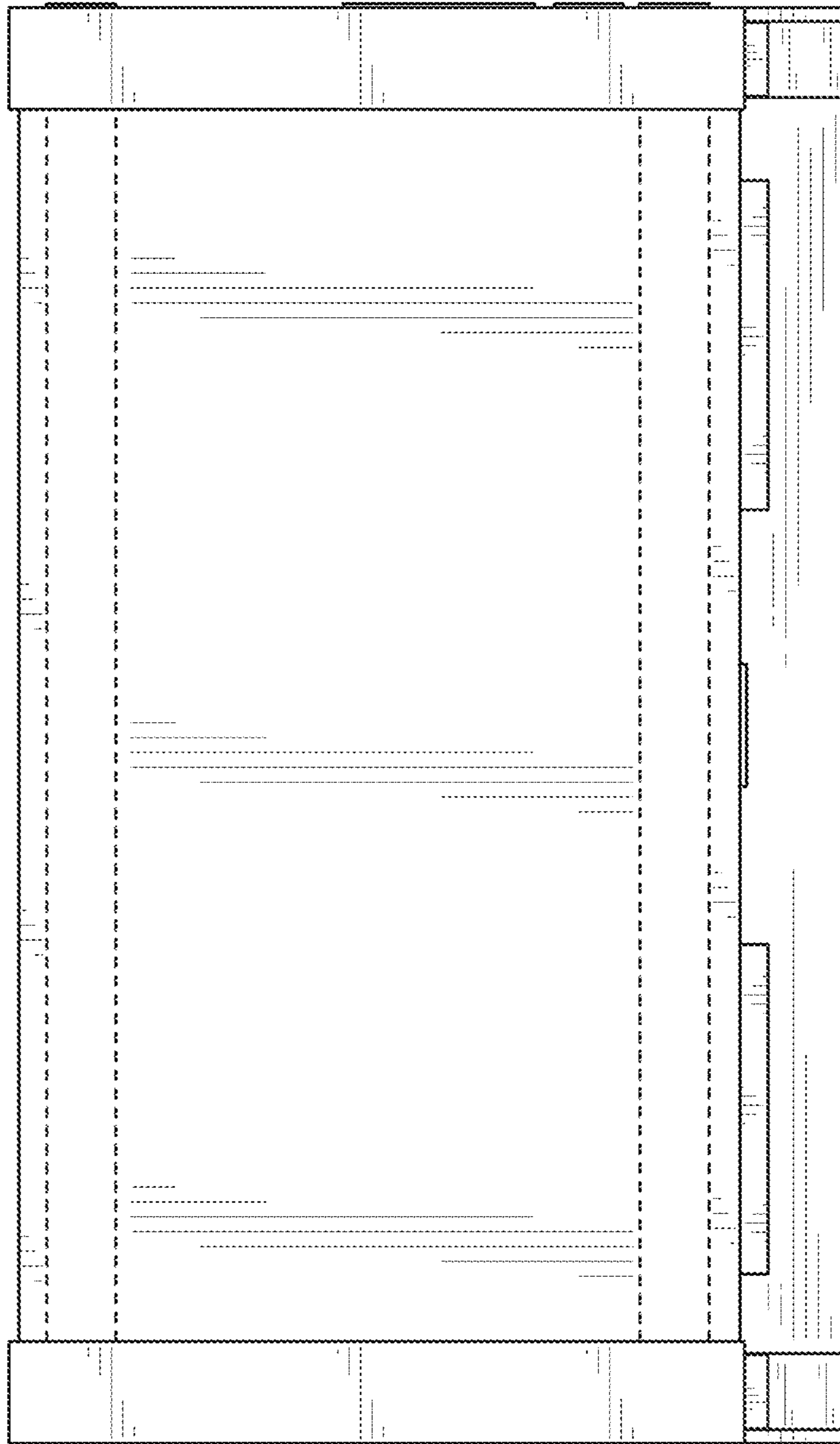


FIG. 7