

US00D825222S

(12) **United States Design Patent** (10) **Patent No.:** **US D825,222 S**
Lee et al. (45) **Date of Patent:** **** Aug. 14, 2018**

(54) **TOOTHBRUSH HOLDER**
(71) Applicant: **Nayoung Vivian Kim**, West Chester, PA (US)
(72) Inventors: **Elijah H. Lee**, West Chester, PA (US); **Elliot H. Lee**, West Chester, PA (US)
(**) Term: **15 Years**
(21) Appl. No.: **29/590,889**
(22) Filed: **Jan. 13, 2017**
(51) **LOC (11) Cl.** **23-02**
(52) **U.S. Cl.**
USPC **D6/534**
(58) **Field of Classification Search**
USPC D6/534, 524, 526, 527, 528, 529-531, D6/551; 206/208, 209, 209.1, 228, 361, 206/362, 362.1, 362.2, 362.3, 77.1; 211/13.1, 66, 70.6, 86.01, 87.01, 88.01, 211/126.1, 134; 248/309.1; D21/584, D21/604, 611; D1/110; D4/104, 108, D4/113; 220/324; 15/247, 184, 167.1; D7/635, 701
CPC A47K 1/09; A47K 5/18; A45D 44/18
See application file for complete search history.

D558,033 S * 12/2007 Schiller D8/367
D558,034 S * 12/2007 Ernst D8/372
D572,118 S * 7/2008 Tokumoto D8/354
D575,139 S * 8/2008 LePoire D8/349
D600,535 S * 9/2009 Rix D8/354
D647,784 S * 11/2011 McNamara D8/349
D694,038 S * 11/2013 Besen D6/526
D699,473 S * 2/2014 Szczepanowski D6/526
D727,656 S * 4/2015 Lim D6/553
D755,613 S * 5/2016 Ajello D8/372
D766,614 S * 9/2016 Glenn D6/523
D768,399 S * 10/2016 Marshall D6/318
D786,582 S * 5/2017 Schumacher D6/552
D800,536 S * 10/2017 Kelley D8/354
D801,157 S * 10/2017 Turbenson D8/367
D801,160 S * 10/2017 Westcott D8/367

(Continued)

Primary Examiner — David Muller
Assistant Examiner — Nathan Johnston
(74) *Attorney, Agent, or Firm* — Chan Hubbard PLLC; Keala Chan

(57) **CLAIM**

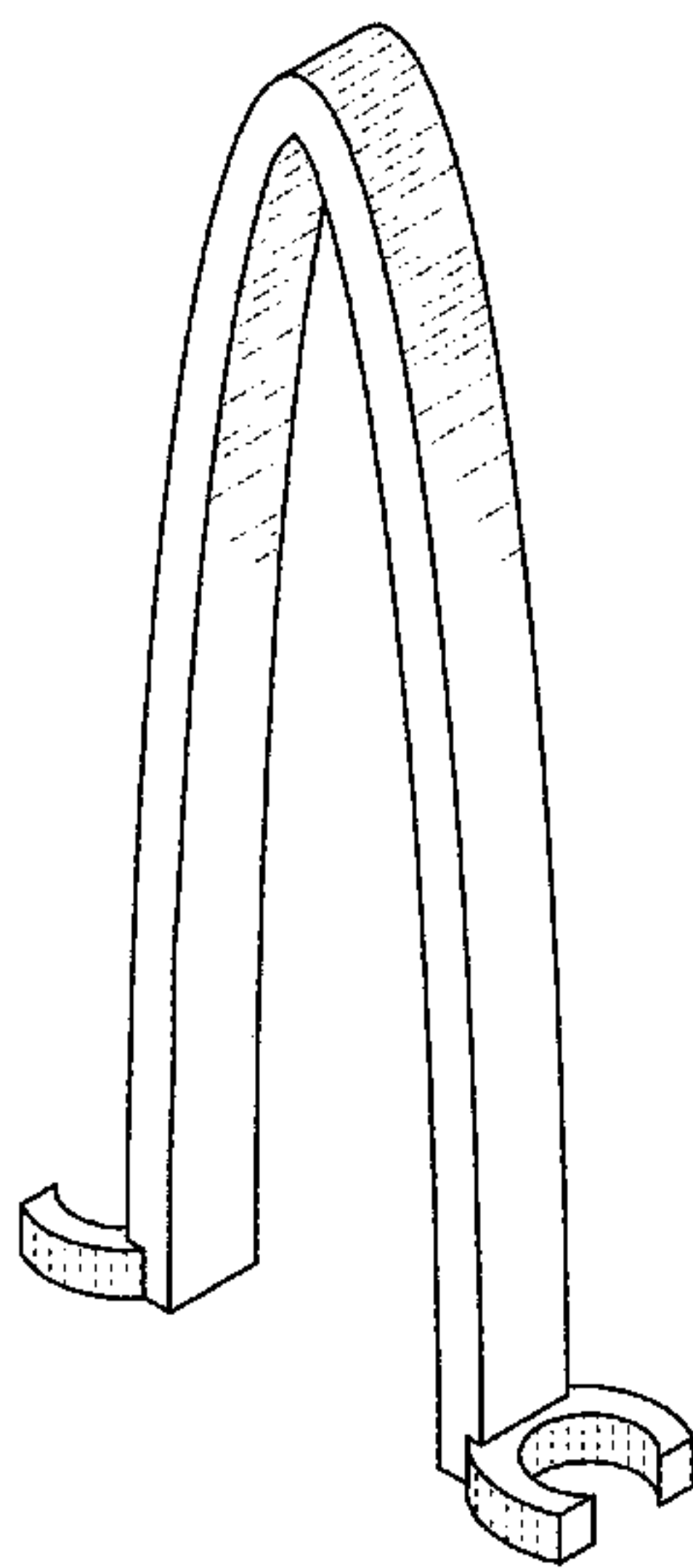
An ornamental design for a toothbrush holder, as shown and described.

DESCRIPTION

FIG. 1 is a front right perspective view of toothbrush holder showing our new design;
FIG. 2 is a front elevation view thereof; the rear elevation view being identical;
FIG. 3 is a top plan view thereof;
FIG. 4 is a bottom plan view thereof; and,
FIG. 5 is a left side elevation view thereof; the right side elevation view being identical.
The broken lines showing a faucet and toothbrushes are for the purpose of illustrating environment of use and form no part of the claimed design.

1 Claim, 5 Drawing Sheets

(56) **References Cited**
U.S. PATENT DOCUMENTS
3,305,100 A * 2/1967 Barbee A47L 13/512 211/120
D352,628 S * 11/1994 James D6/552
D356,002 S * 3/1995 Morgan D6/552
D367,999 S * 3/1996 McCallum D6/553
D378,326 S * 3/1997 Goodner D6/320
D393,770 S * 4/1998 Daly D6/523
6,736,356 B1 * 5/2004 Murphy A46B 17/02 248/112
7,028,854 B1 * 4/2006 Londrico A47B 65/00 211/120
D558,032 S * 12/2007 Schiller D8/367



(56)

References Cited

U.S. PATENT DOCUMENTS

2014/0110423 A1* 4/2014 Rapala B65D 83/0805
221/48

* cited by examiner



FIG. 1

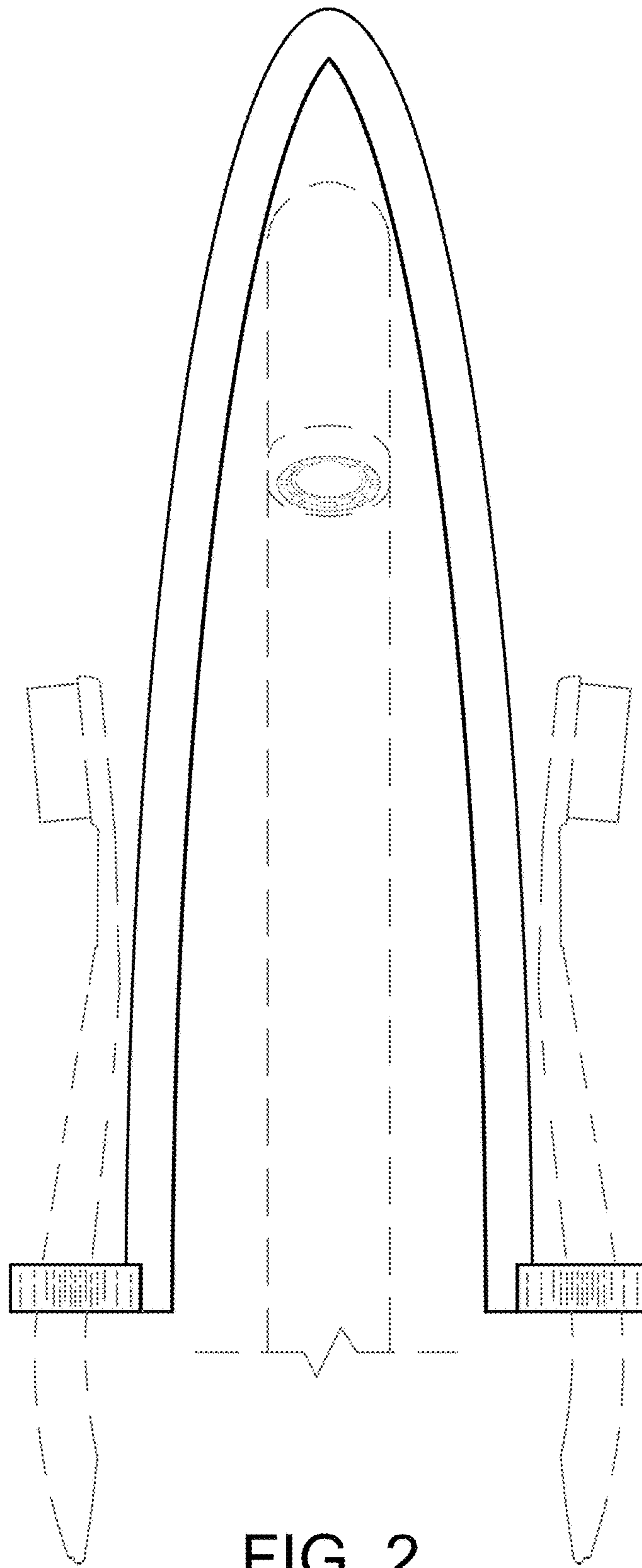


FIG. 2

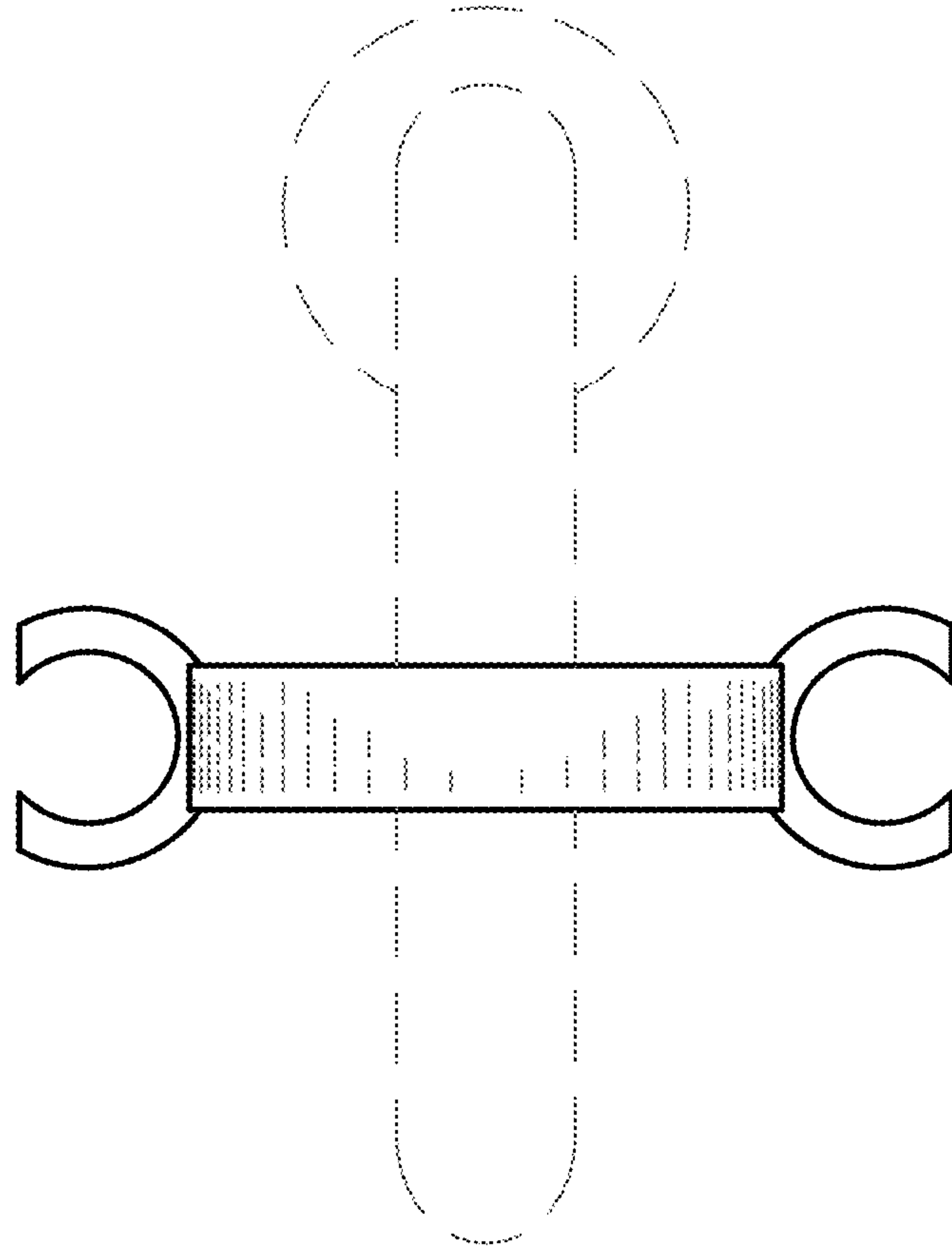


FIG. 3

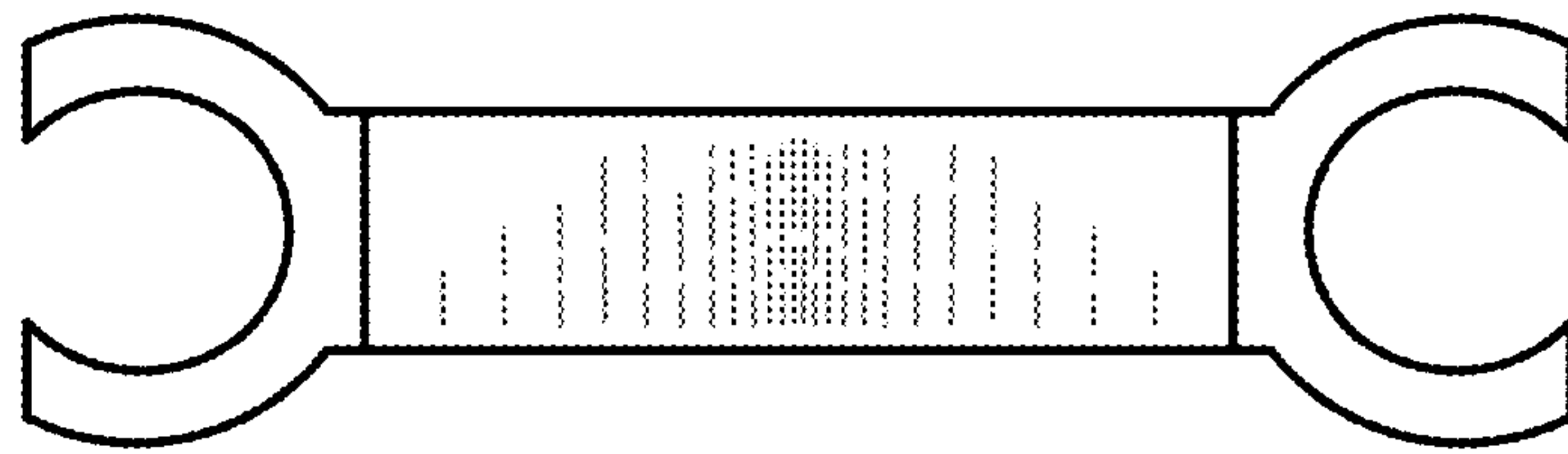


FIG. 4

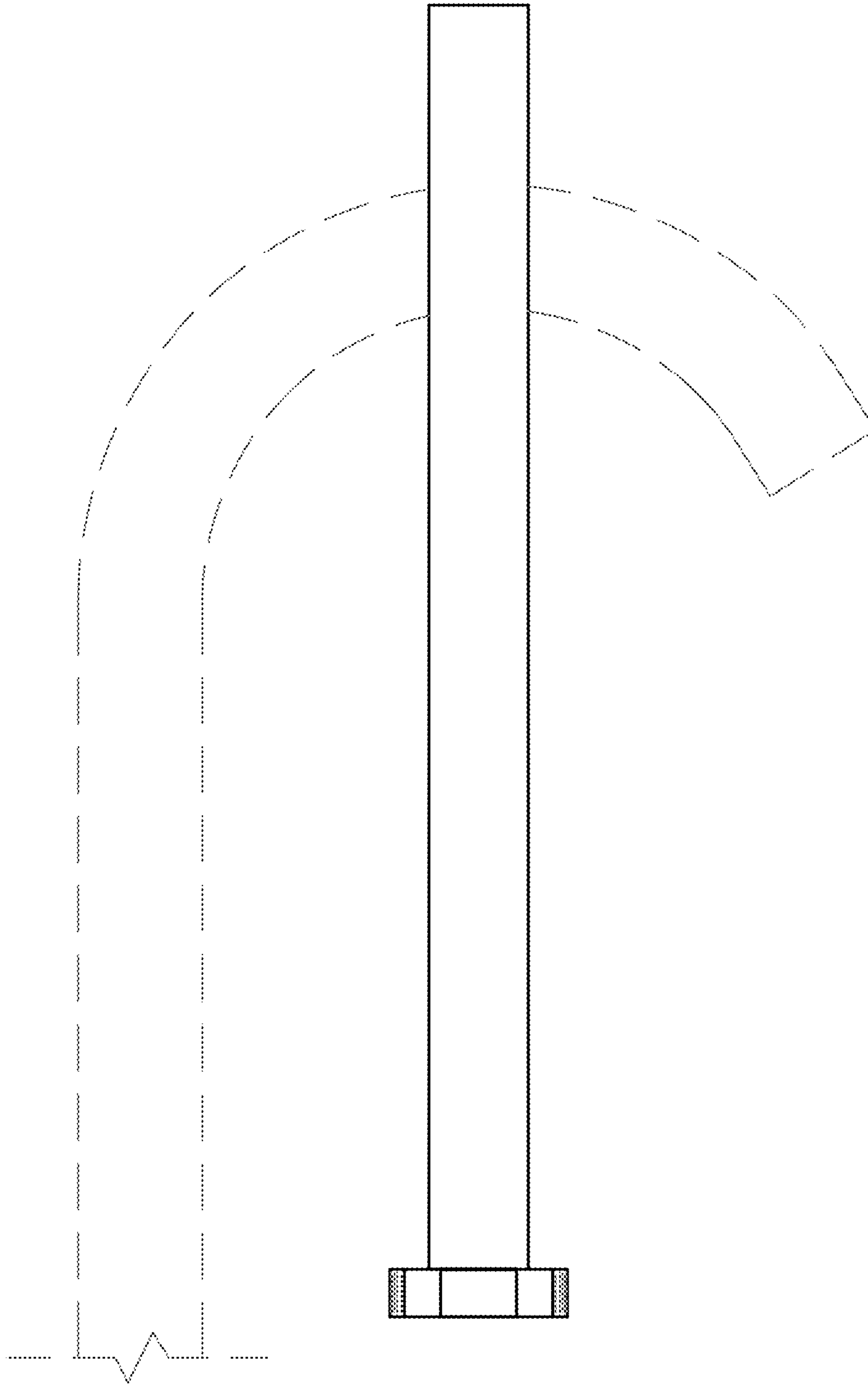


FIG. 5