



US00D825221S

(12) **United States Design Patent** (10) **Patent No.:** **US D825,221 S**
Mazandarani (45) **Date of Patent:** **** Aug. 14, 2018**

(54) **WET AND DRY TOILET PAPER ROLLER DISPENSER**

(71) Applicant: **Mehran Mazandarani**, Tustin, CA (US)

(72) Inventor: **Mehran Mazandarani**, Tustin, CA (US)

(**) Term: **15 Years**

(21) Appl. No.: **29/605,188**

(22) Filed: **May 24, 2017**

(51) **LOC (11) Cl.** **20-02**

(52) **U.S. Cl.**
USPC **D6/525**

(58) **Field of Classification Search**
USPC D6/518, 515, 516, 517, 519-523, 525;
D7/550.1, 609, 610, 611, 612, 325, 348,
D7/350.1, 350.2, 367; 206/389, 410;
242/570, 590, 595, 596, 598, 598.5,
242/598.6, 560, 588.3, 594.1, 594.5,
242/597.6; 312/34.1, 34.8; 118/506;
221/45
CPC A47K 10/3818; A47K 2010/3266; A47K
10/3827; A47K 10/3836; A47K 10/3631;
A47K 2010/3233
See application file for complete search history.

(56) **References Cited**

U.S. PATENT DOCUMENTS

1,614,112 A	1/1927	Fisher	
2,685,365 A *	8/1954	Sieven	A47K 10/38 206/410
3,049,310 A	8/1962	Wolfe	
3,211,504 A	10/1965	Bump	
3,837,595 A *	9/1974	Boone	A47K 10/32 242/594.5
D372,823 S	8/1996	Kerschreiter	
D394,573 S	5/1998	Tobias	

D406,975 S	3/1999	Tobias	
5,897,074 A *	4/1999	Marino	A47K 10/38 242/594.1
D452,094 S	12/2001	Akin	
6,363,824 B1	4/2002	Granger	
6,929,148 B2	8/2005	Haddad et al.	
7,128,235 B2	10/2006	Haddad et al.	
D603,635 S *	11/2009	Krebs	D6/518
D655,116 S *	3/2012	Ravazi	D6/518
8,292,098 B2	10/2012	Szegfi	
D714,075 S *	9/2014	Chung	D6/525
2014/0061219 A1 *	3/2014	Noble	A47K 10/3818 221/45

* cited by examiner

Primary Examiner — Wan Laymon

Assistant Examiner — Mark Booker

(74) *Attorney, Agent, or Firm* — Kirk A Buhler; Buhler & Associates

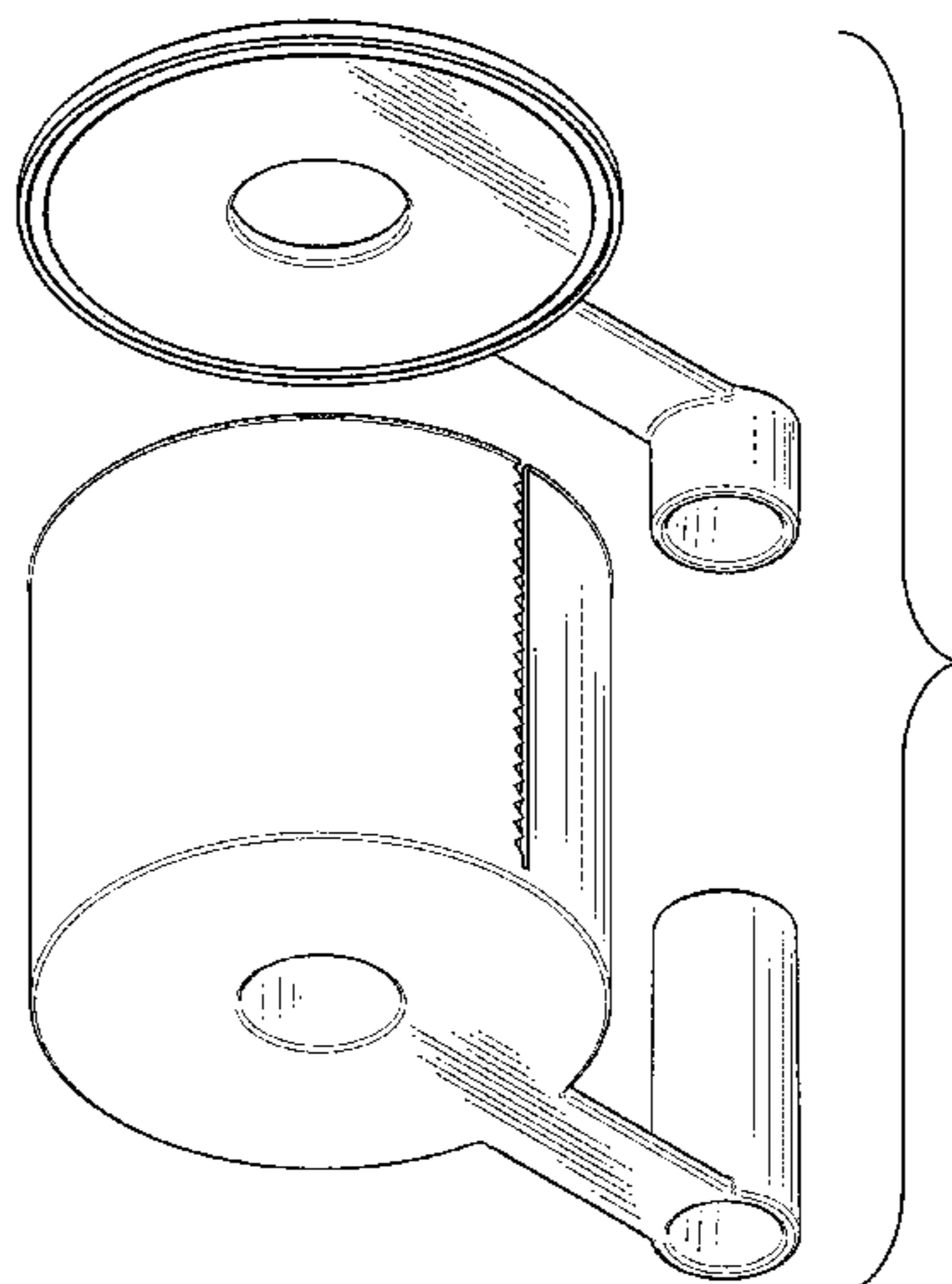
(57) **CLAIM**

The ornamental design for a wet and dry toilet paper roller dispenser, as shown and described.

DESCRIPTION

FIG. 1 is a left exploded perspective view for a wet and dry toilet paper roller dispenser showing my new design; FIG. 2 is a front view thereof; FIG. 3 is a left-side view thereof; FIG. 4 is a rear view thereof; FIG. 5 is a right-side view thereof; FIG. 6 is a bottom view thereof; FIG. 7 is a top view thereof; FIG. 8 is a rear perspective view; FIG. 9 is a cross sectional view taken along lines 9-9 of FIG. 5 thereof; and, FIG. 10 is a right-side perspective view shown in an environment of use. The broken lines in FIG. 10 depict environmental subject matter and form no part of the claimed design.

1 Claim, 6 Drawing Sheets



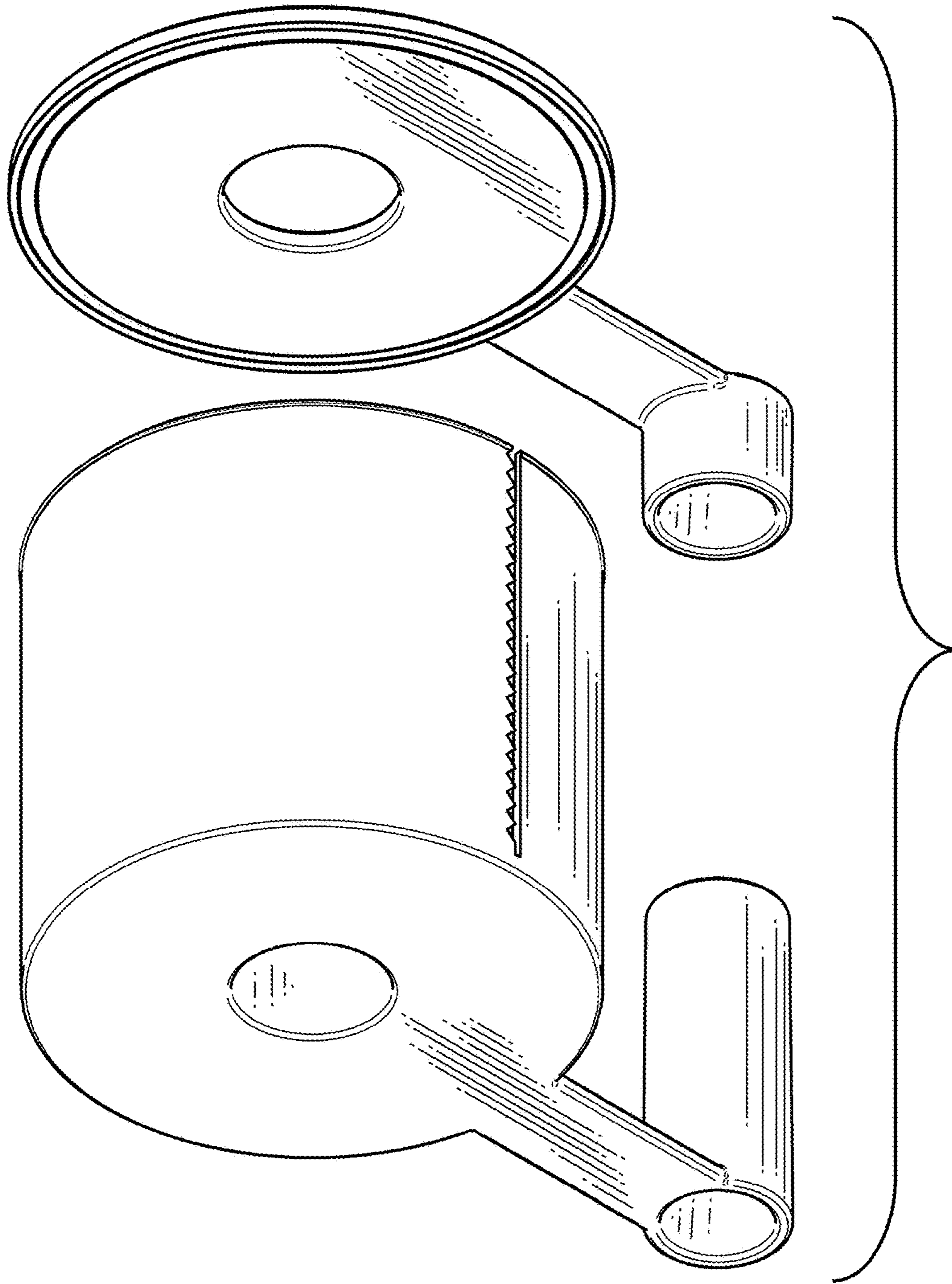


FIG. 1

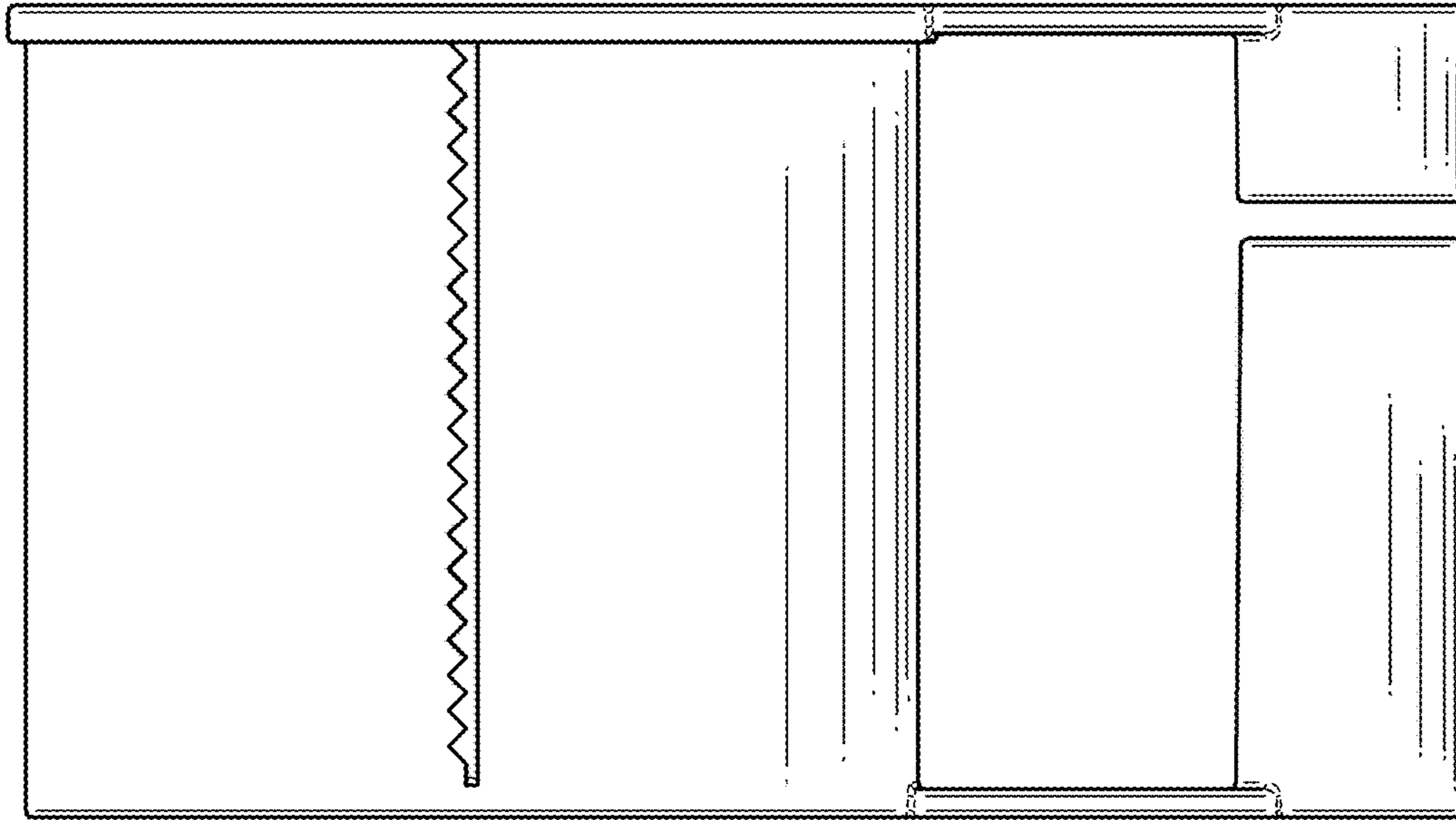


FIG. 2

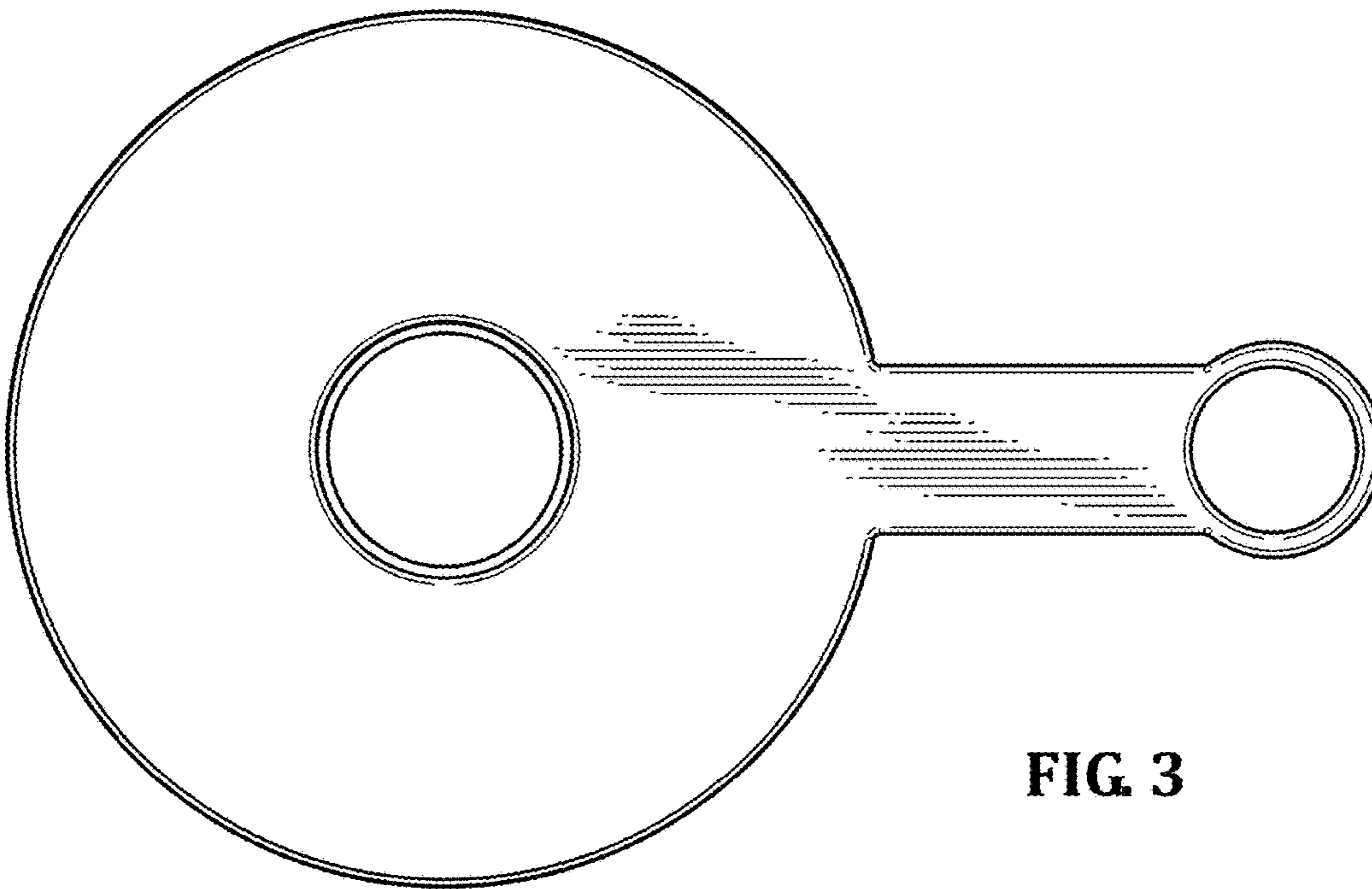


FIG. 3

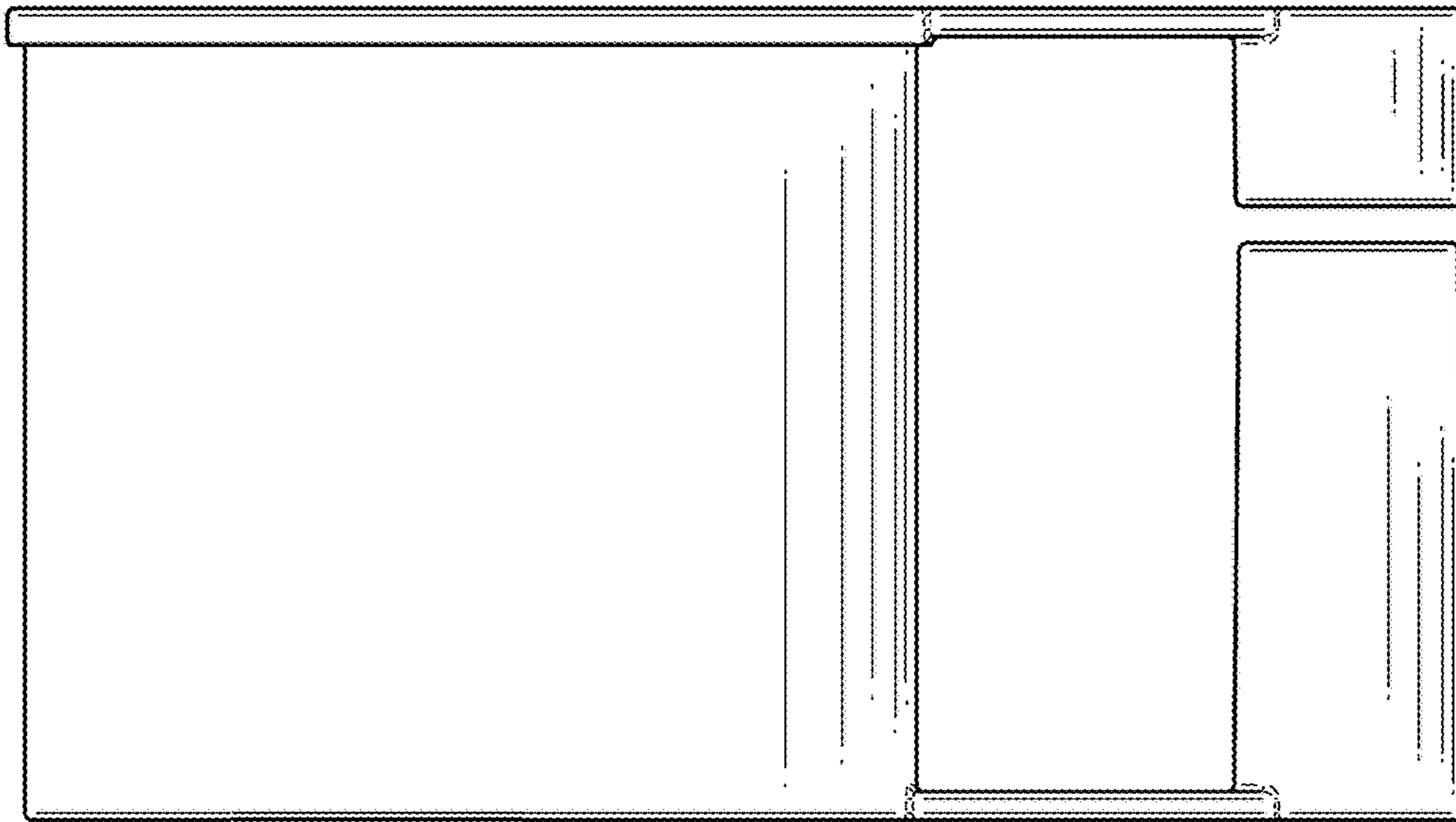


FIG. 4

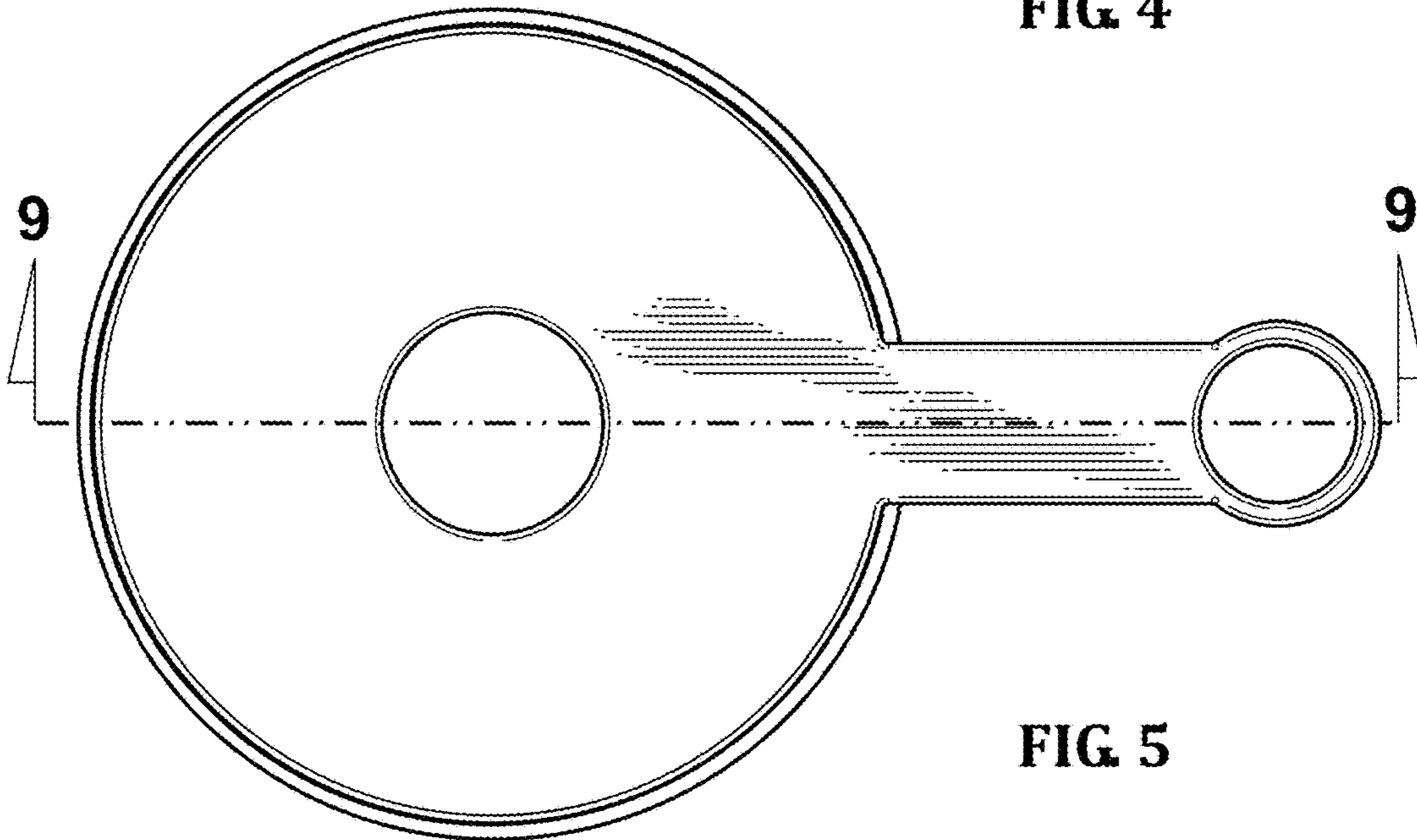


FIG. 5

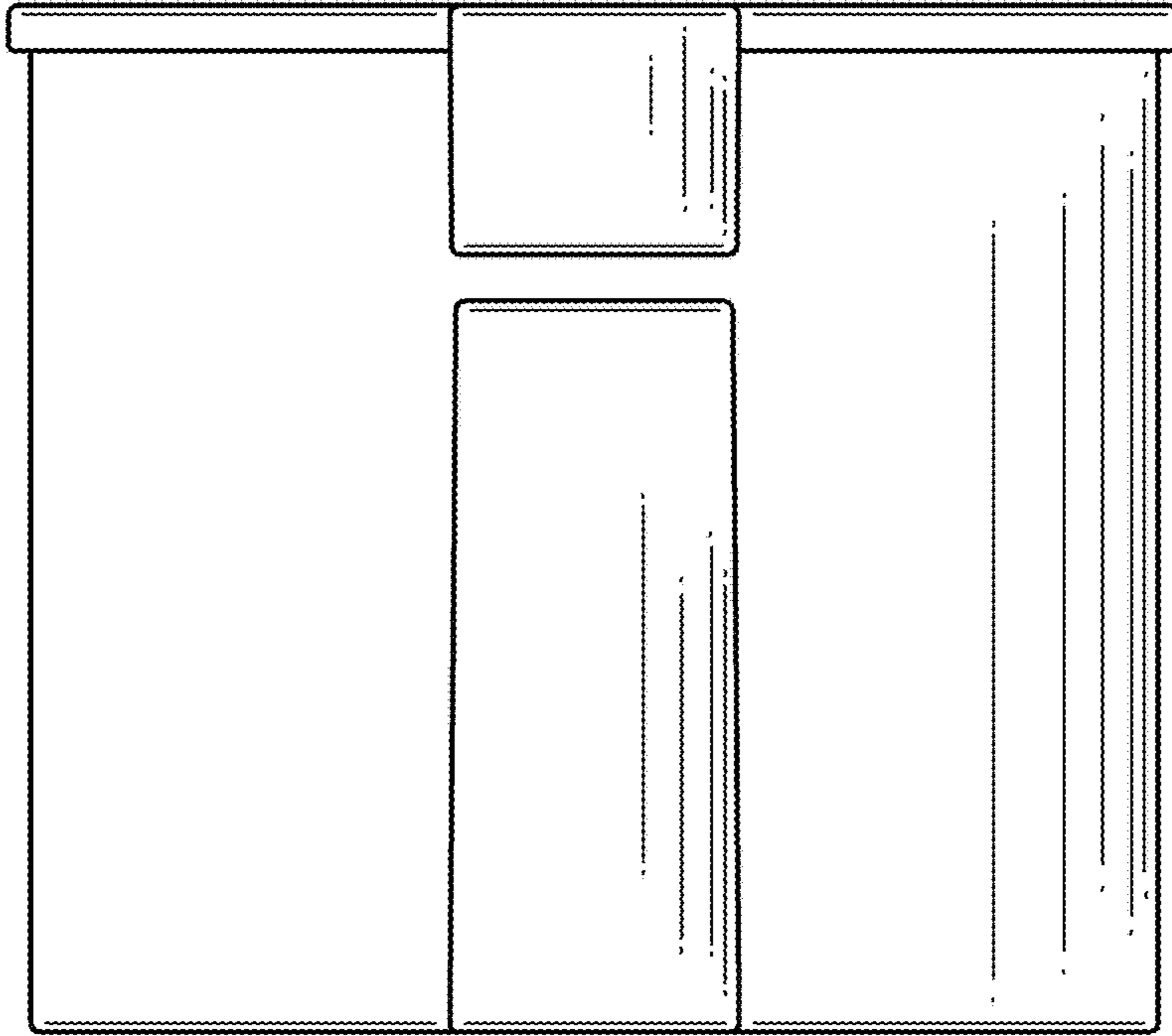


FIG. 6

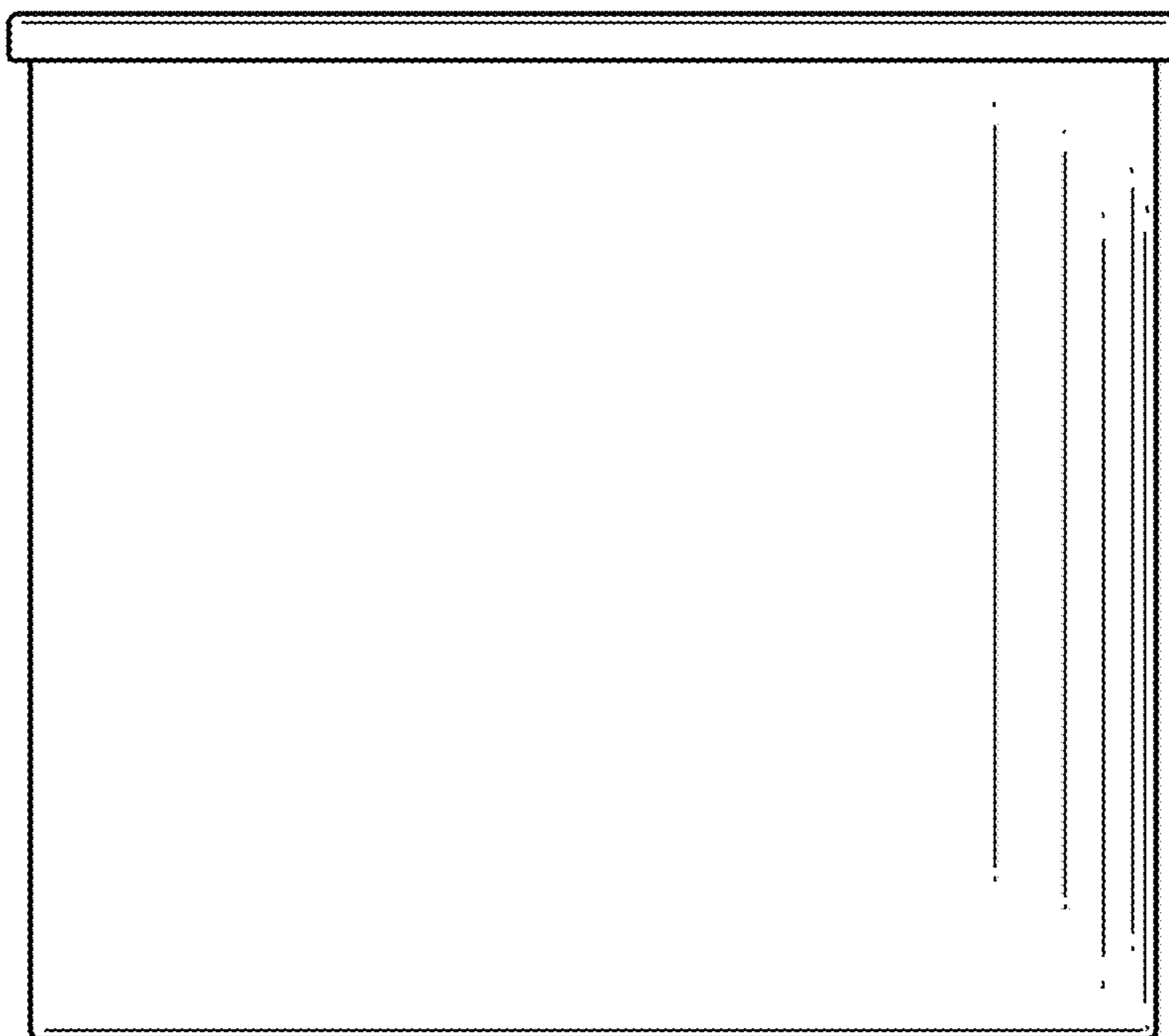


FIG. 7

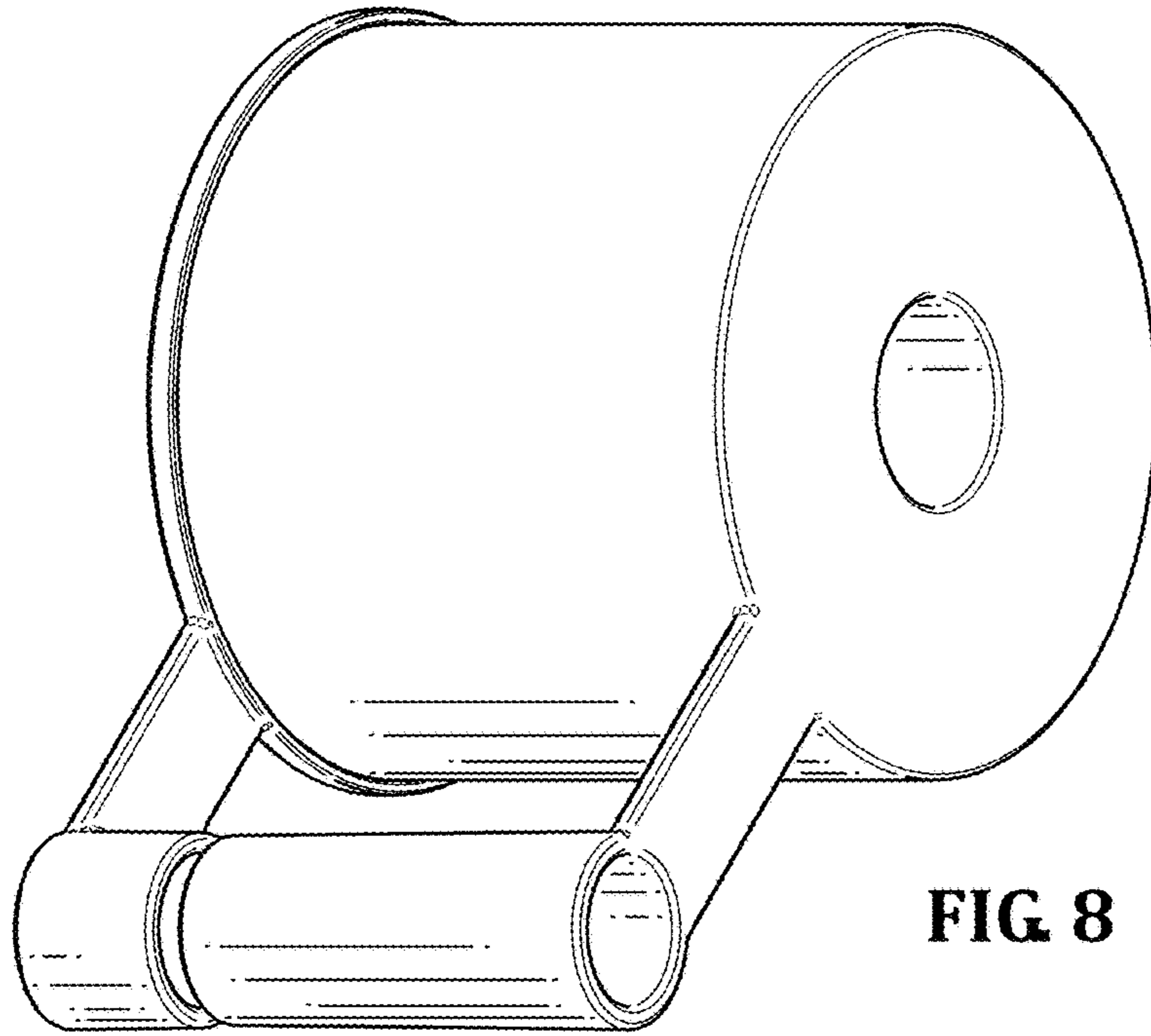


FIG 8

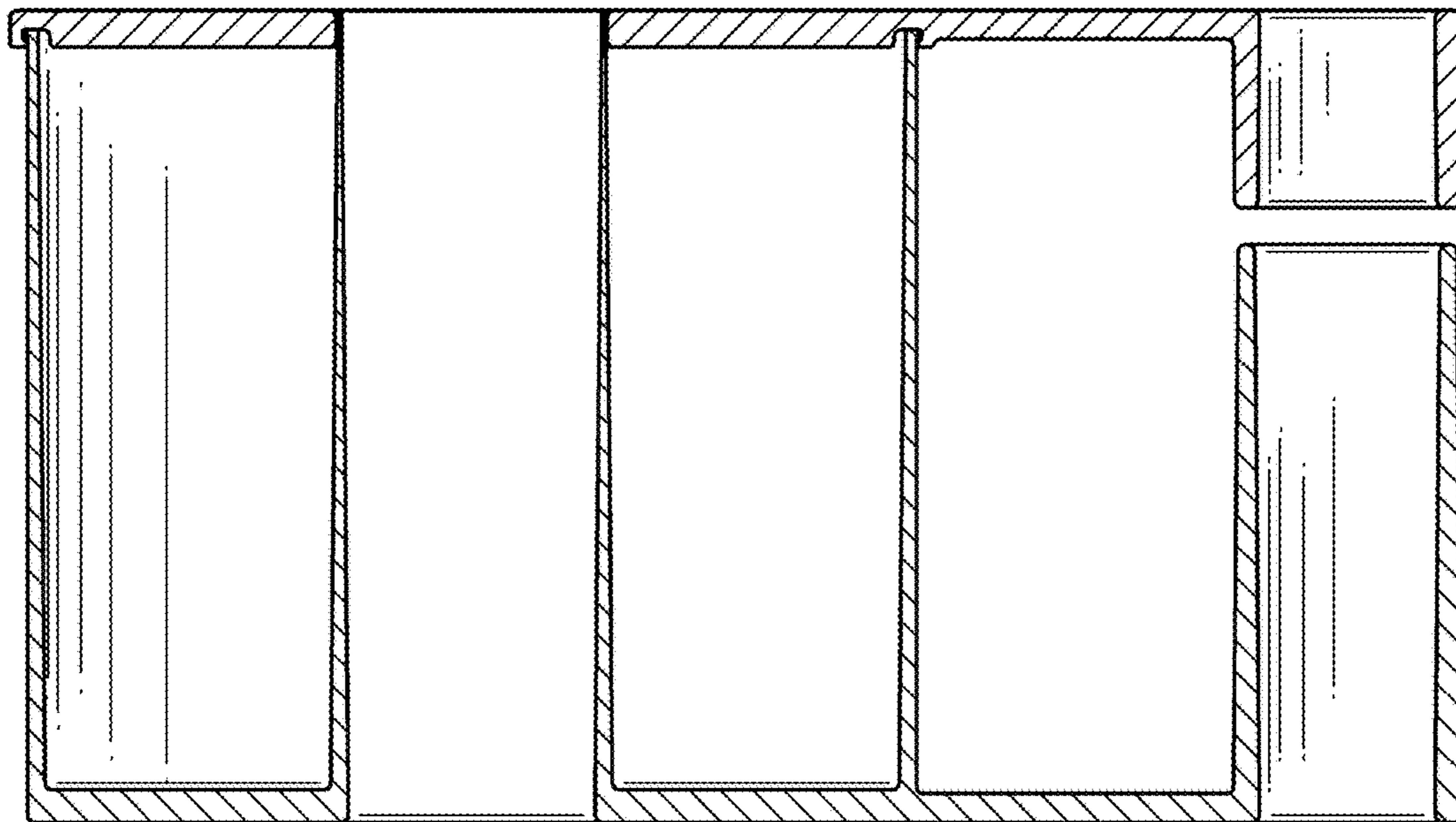


FIG 9

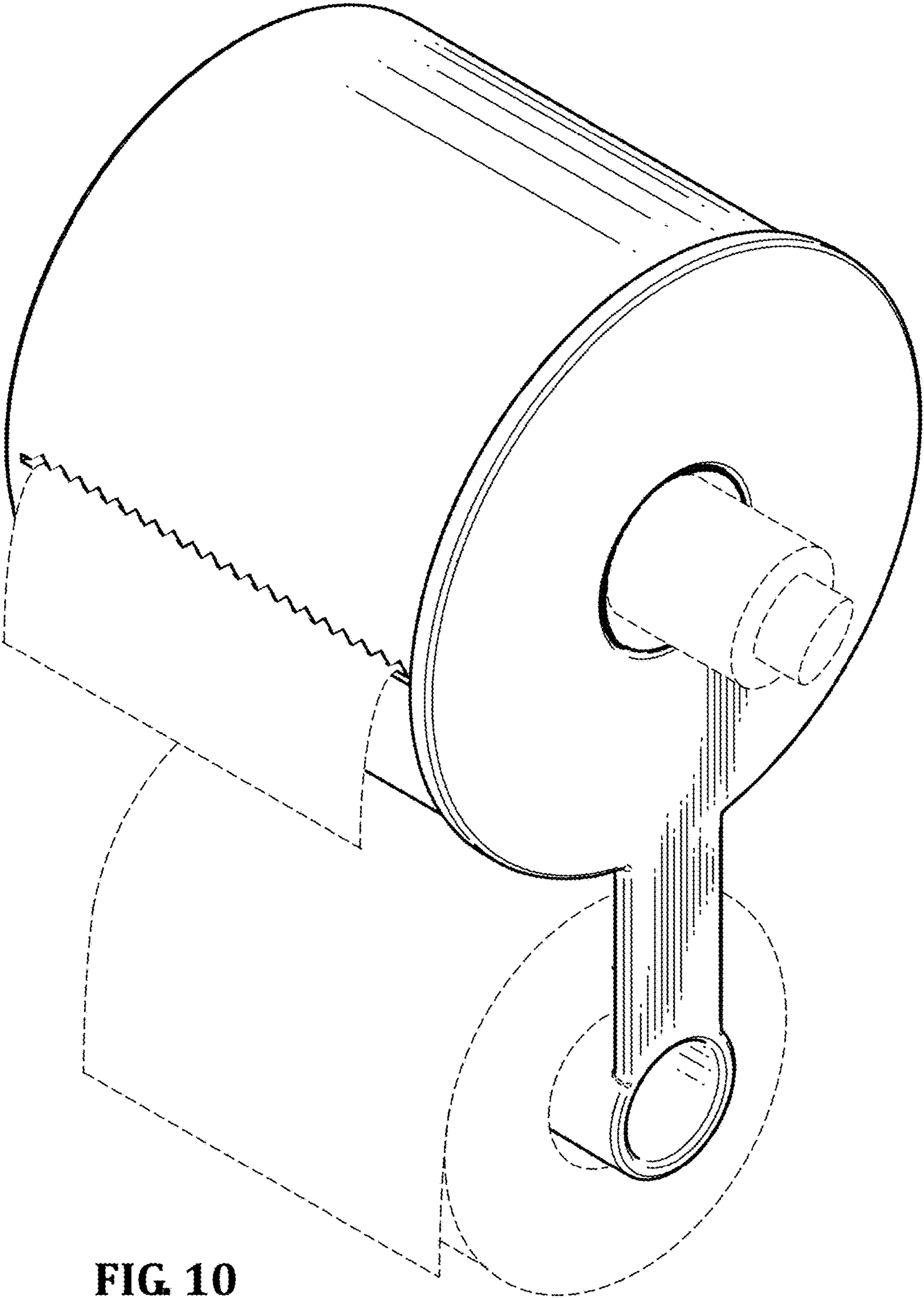


FIG. 10