



US00D825218S

(12) **United States Design Patent**
Everson et al.

(10) **Patent No.:** **US D825,218 S**

(45) **Date of Patent:** **** Aug. 14, 2018**

(54) **DINING CHAIR**

(71) Applicant: **Ashley Furniture Industries, Inc.**,
Arcadia, WI (US)

(72) Inventors: **Terry Everson**, Blair, WI (US); **Randy Domack**, Holmen, WI (US); **Craig Bacon**, Trempealeau, WI (US)

(73) Assignee: **Ashley Furniture Industries, Inc.**,
Arcadia, WI (US)

(**) Term: **15 Years**

(21) Appl. No.: **29/600,169**

(22) Filed: **Apr. 10, 2017**

(51) **LOC (11) Cl.** **06-01**

(52) **U.S. Cl.**
USPC **D6/380**

(58) **Field of Classification Search**
USPC D6/334-336, 370, 374, 376, 379, 380,
D6/716, 716.1, 716.4
CPC A47C 3/04; A47C 4/02; A47C 4/03; A47C
4/028; A47C 7/16; A47C 7/18; A47C
7/24
See application file for complete search history.

(56) **References Cited**

U.S. PATENT DOCUMENTS

D238,034 S * 12/1975 Eisen D6/380
D316,491 S * 4/1991 Frinier D6/376

D340,364 S * 10/1993 Caldwell D6/370
D433,576 S * 11/2000 Hutton D6/370
D460,645 S * 7/2002 Sabo D6/380
D466,321 S * 12/2002 Garfinkle D6/379
D517,826 S * 3/2006 Black D6/379
D525,801 S * 8/2006 Domack D6/380
D526,504 S * 8/2006 Peterson D6/380
D577,215 S * 9/2008 Kreiss D6/374
D734,622 S * 7/2015 Burden D6/380
D737,590 S * 9/2015 Burden D6/380

* cited by examiner

Primary Examiner — Mimosa De

(74) *Attorney, Agent, or Firm* — McAndrews, Held & Malloy, Ltd.

(57) **CLAIM**

The ornamental design for a dining chair, as shown and described.

DESCRIPTION

FIG. 1 is a front perspective view of a dining chair showing our new design;

FIG. 2 is a rear perspective view thereof;

FIG. 3 is a front elevation view thereof;

FIG. 4 is a rear elevation view thereof;

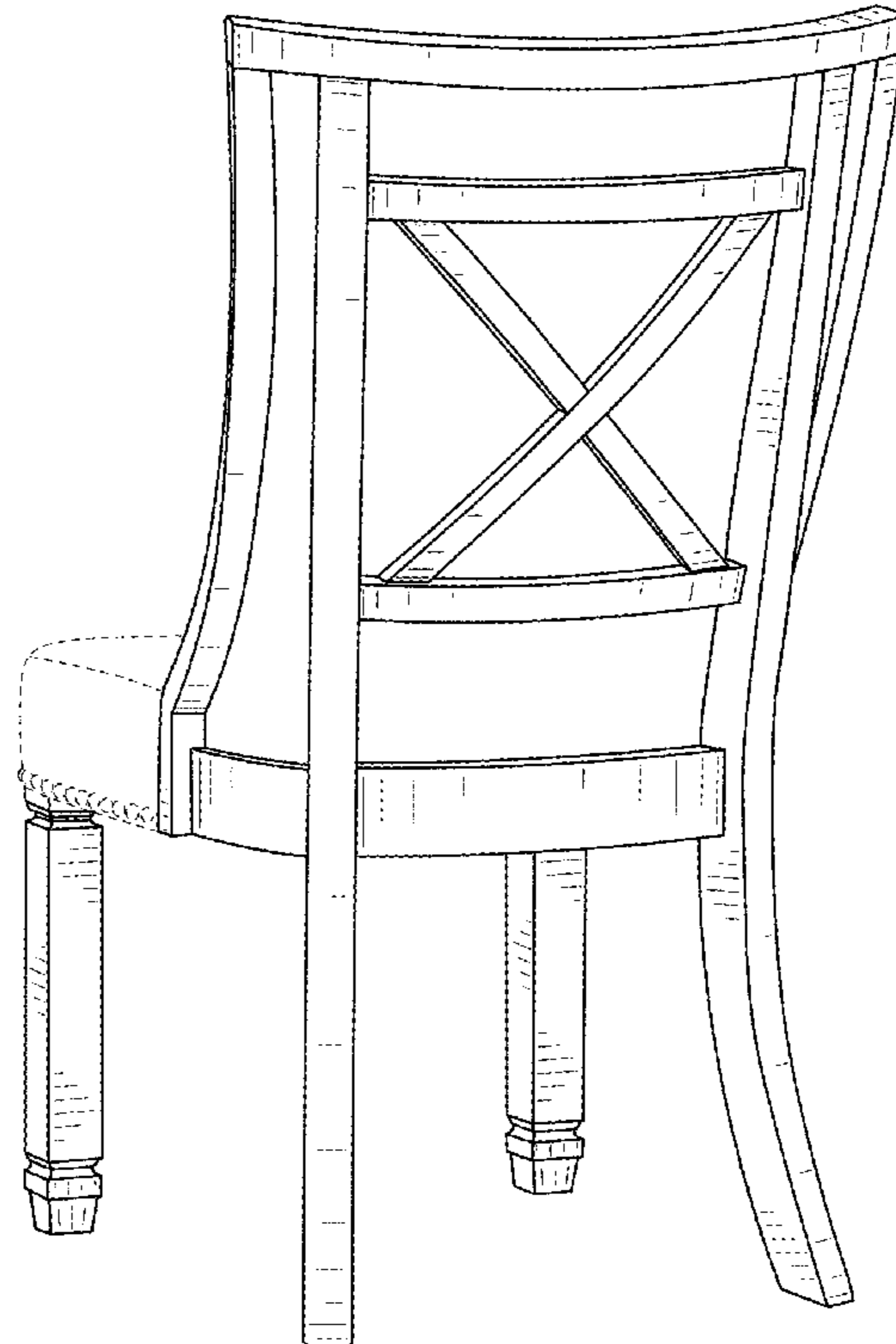
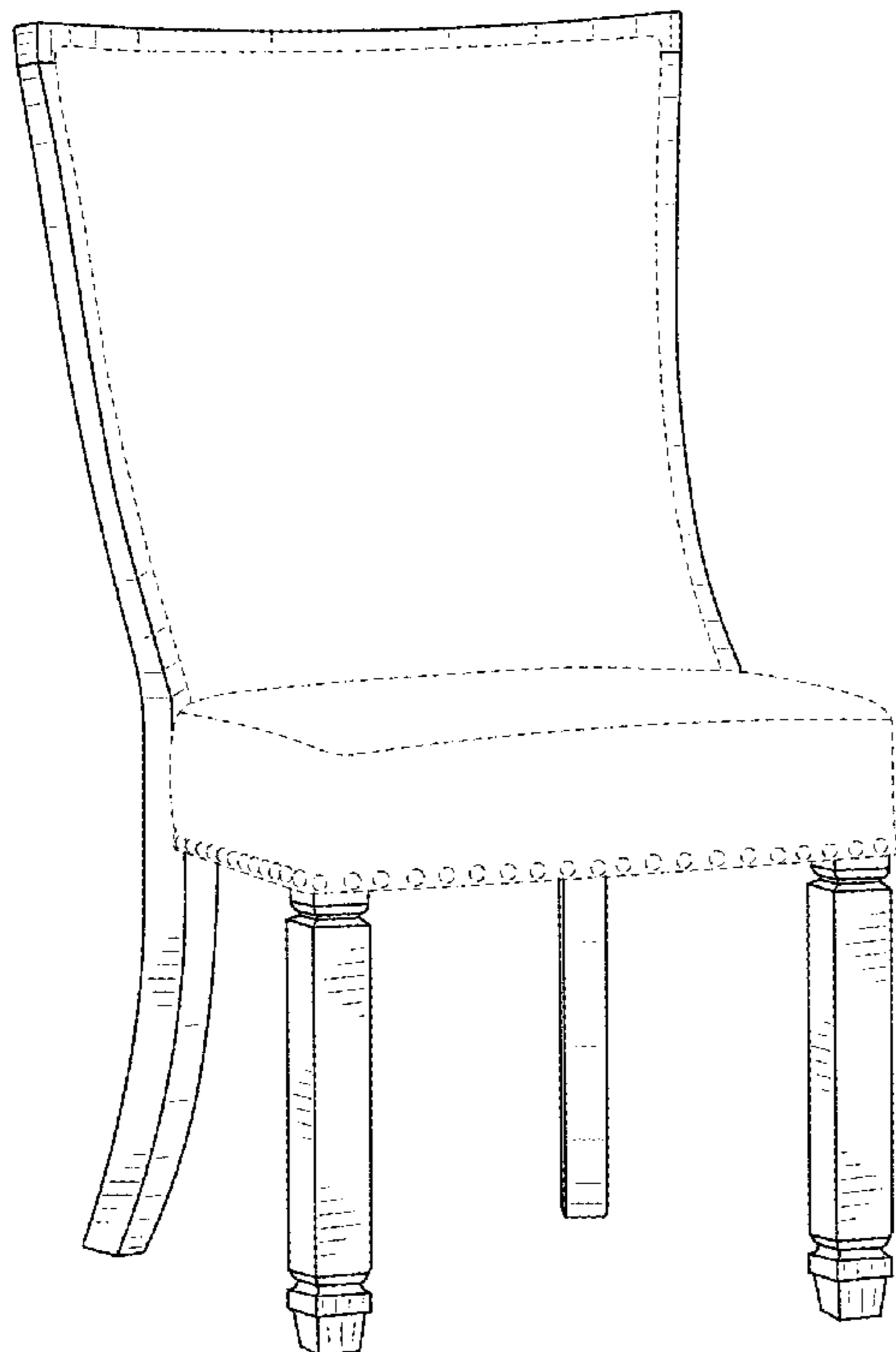
FIG. 5 is a right side elevation view thereof, the left side elevation view being a mirror image thereof; and,

FIG. 6 is a top plan view thereof.

The dashed broken lines in the figures illustrate portions of the dining chair that form no part of the claimed design.

Views of the dining chair that are not shown in the figures form no part of the claimed design.

1 Claim, 6 Drawing Sheets



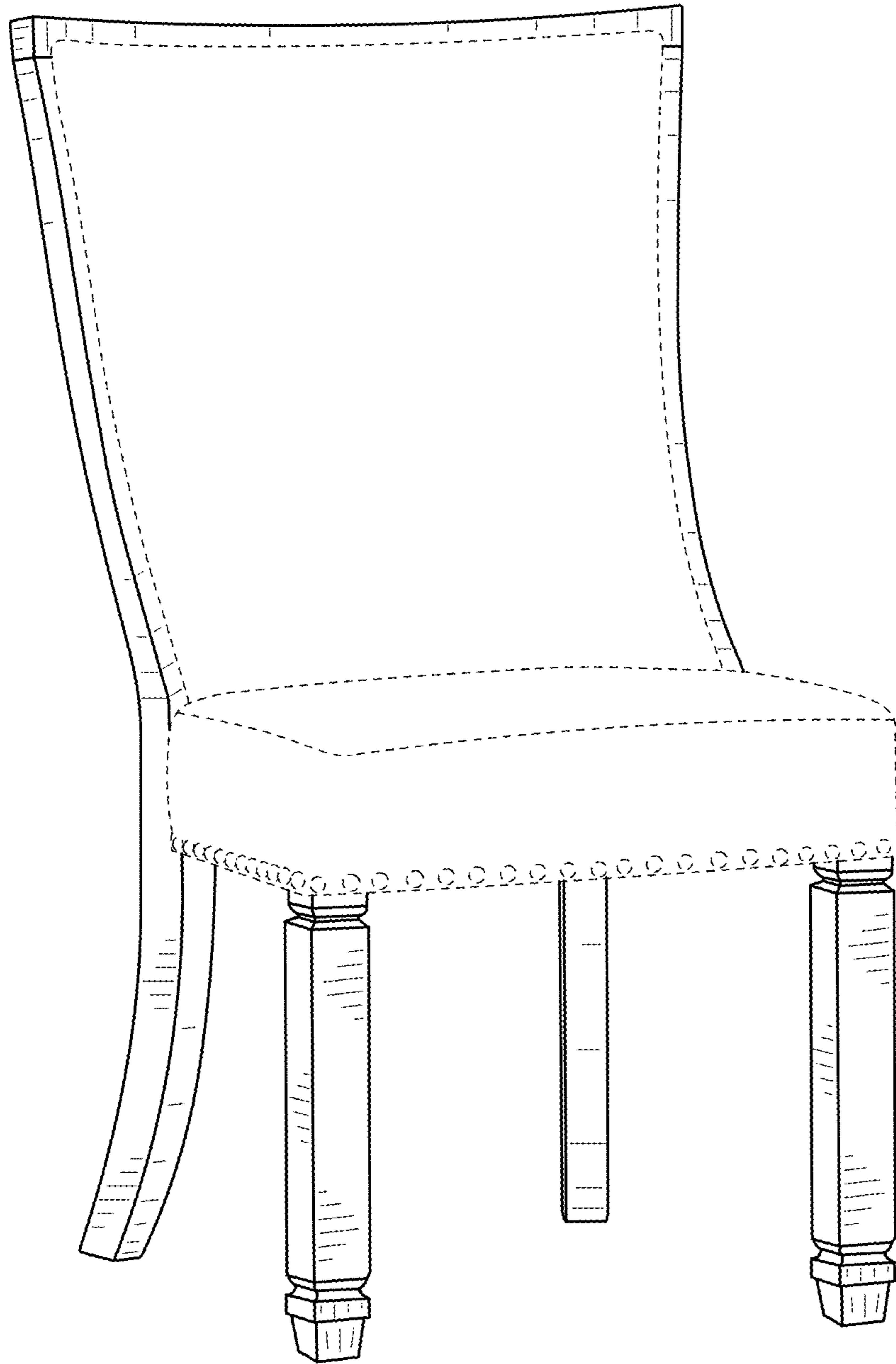


FIG. 1

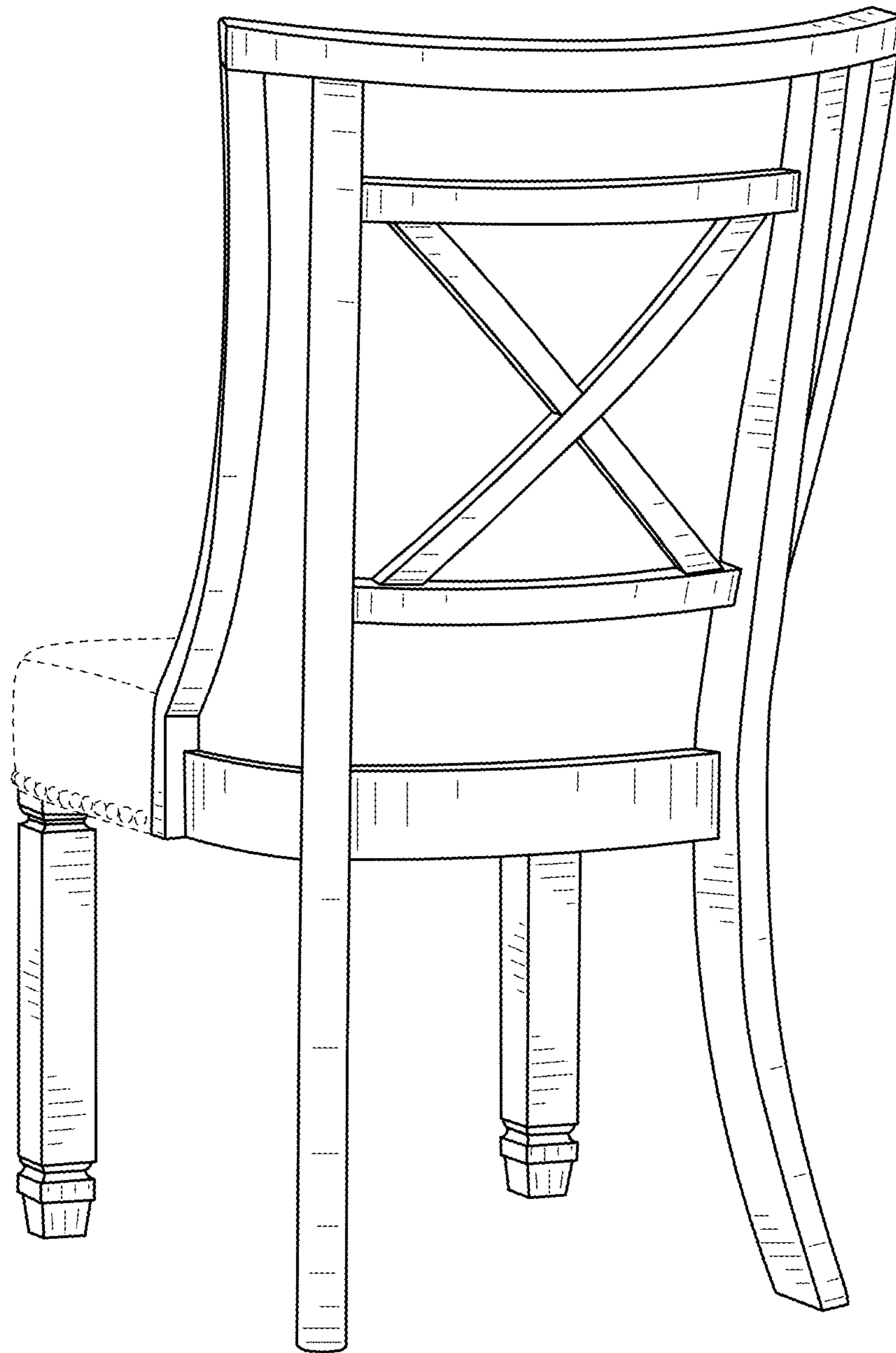


FIG. 2

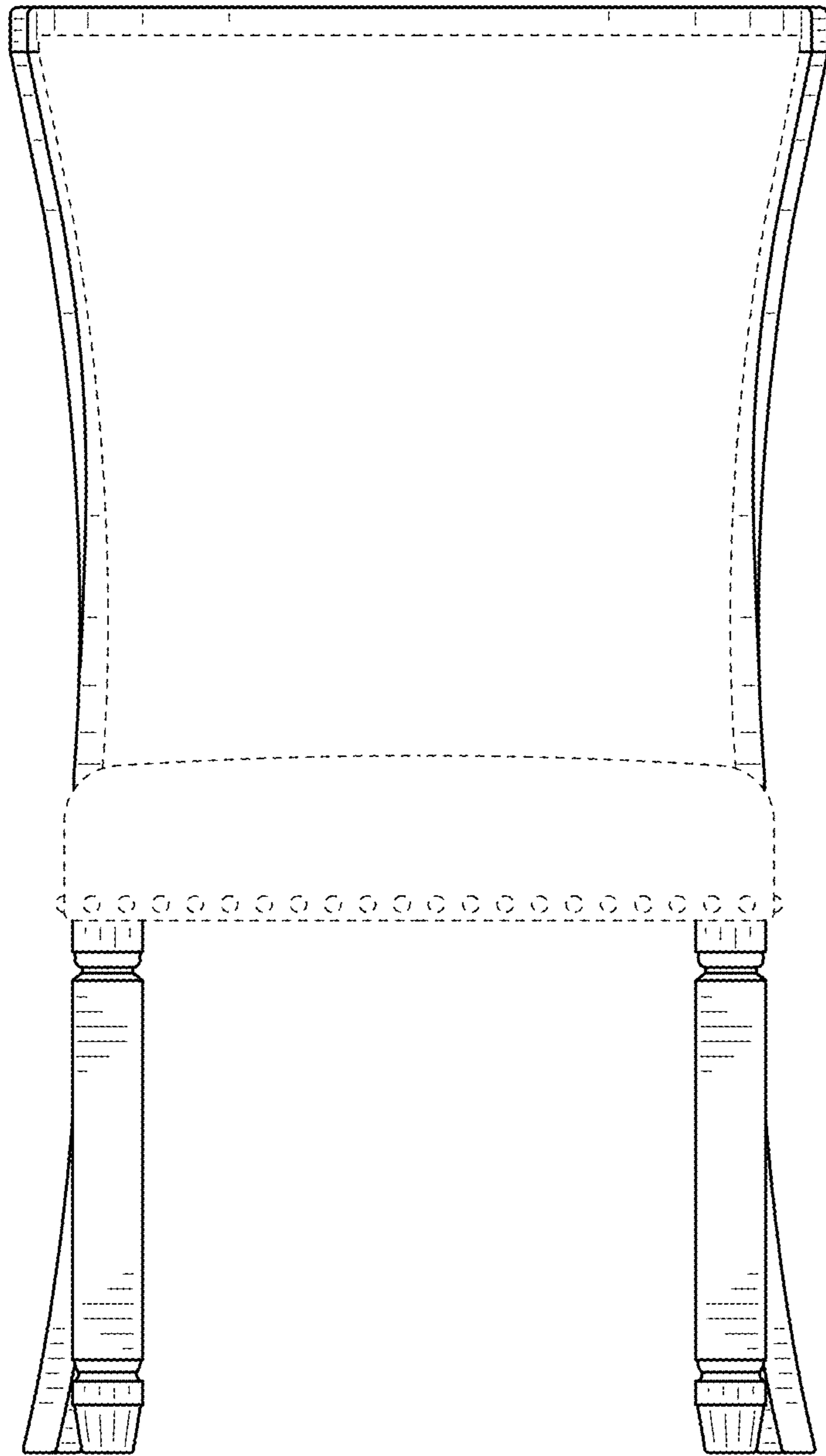


FIG. 3

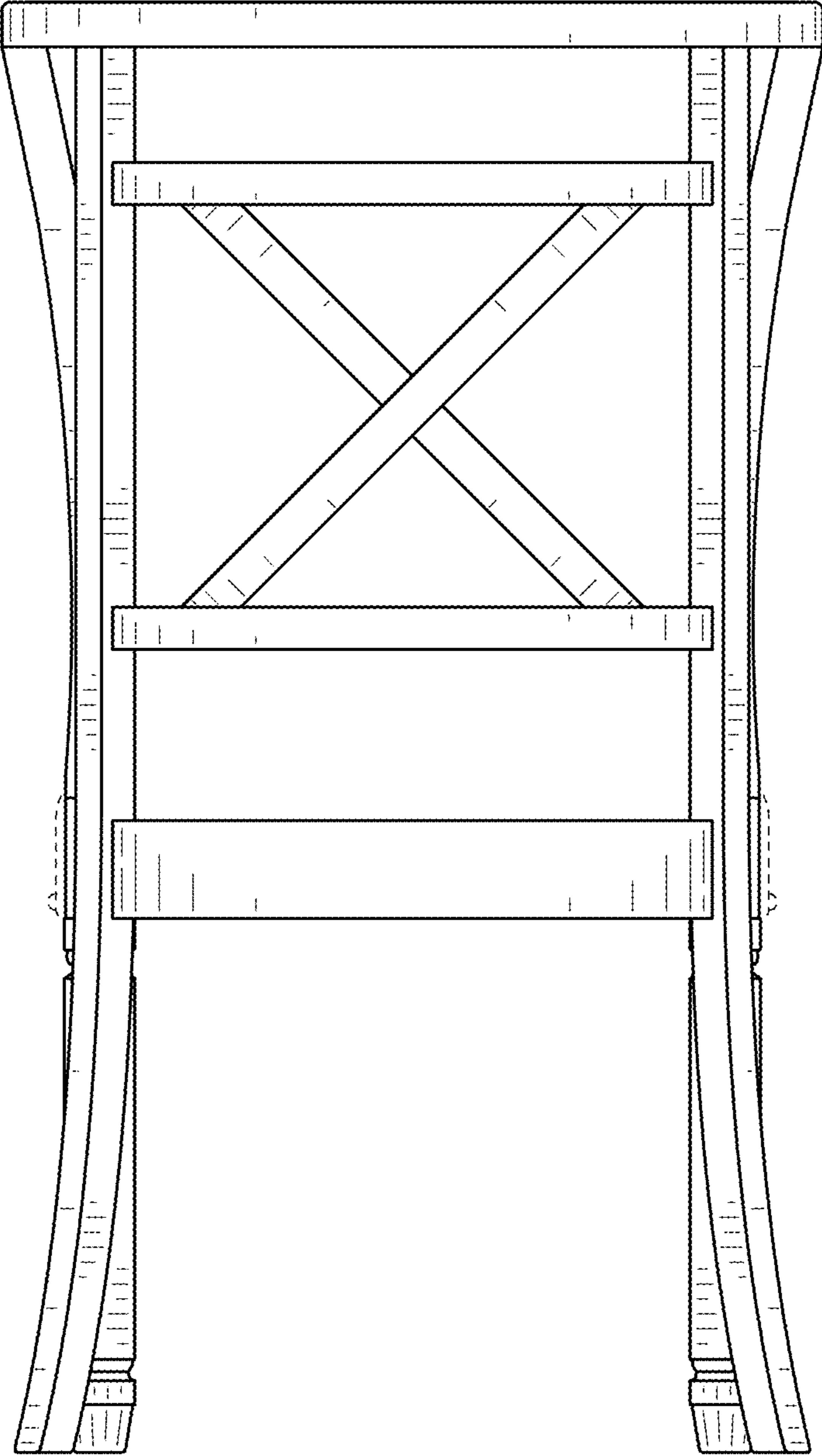


FIG. 4

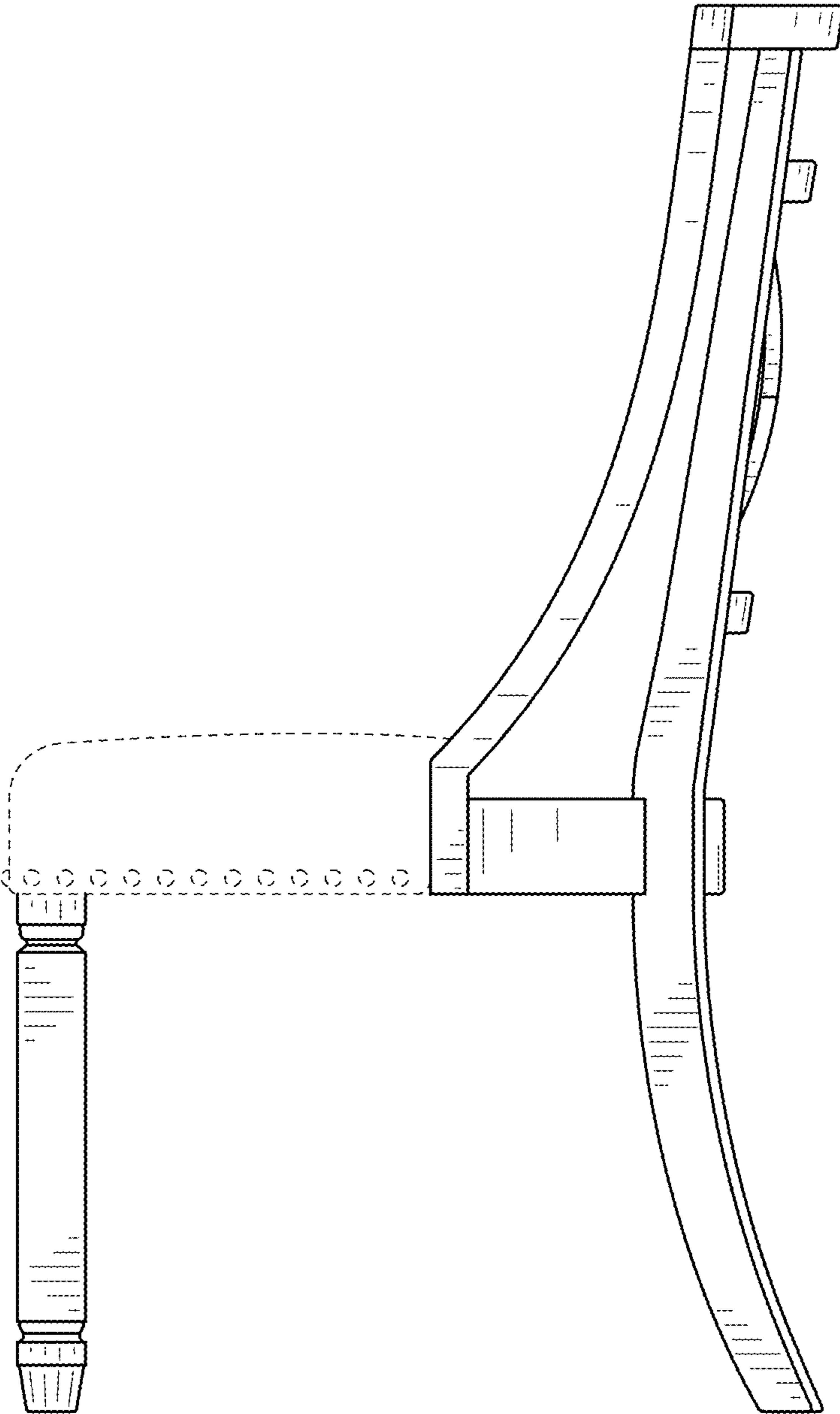


FIG. 5

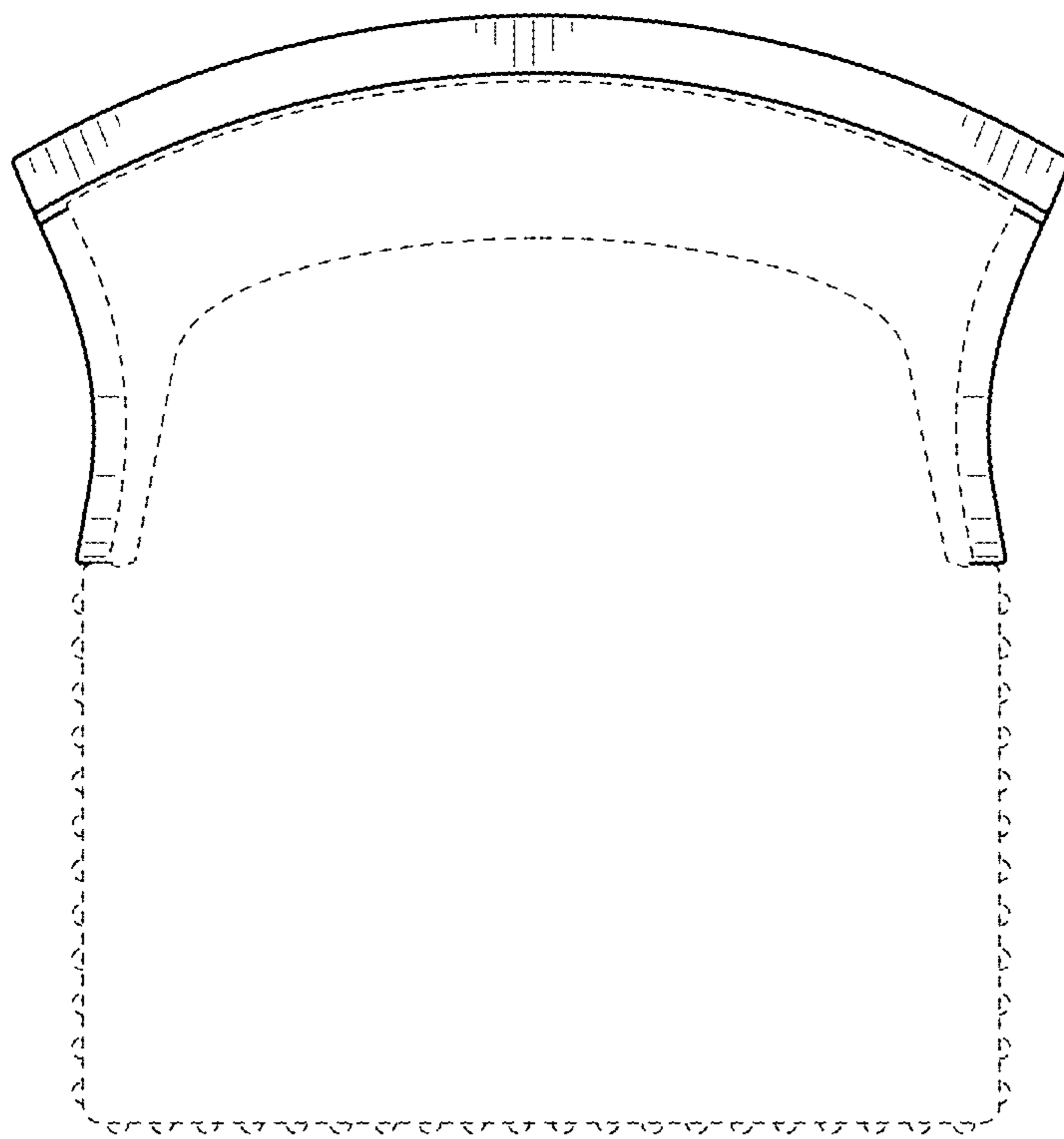


FIG. 6