



US00D825212S

(12) **United States Design Patent**
Haingaertner

(10) **Patent No.:** **US D825,212 S**

(45) **Date of Patent:** **** Aug. 14, 2018**

(54) **FOLDING ROCKING CHAIR**

(71) Applicant: **Andrew Haingaertner**, Rogers, AR
(US)

(72) Inventor: **Andrew Haingaertner**, Rogers, AR
(US)

(**) Term: **15 Years**

(21) Appl. No.: **29/597,304**

(22) Filed: **Mar. 16, 2017**

(51) **LOC (11) Cl.** **06-01**

(52) **U.S. Cl.**
USPC **D6/348; D6/368**

(58) **Field of Classification Search**
USPC D6/344-349, 709, 709.22, 709.2, 716,
D6/708, 708.2, 716.8, 378, 355, 368, 352
CPC A47D 13/102; A47C 3/02; A47C 3/029;
A47C 4/28
See application file for complete search history.

(56) **References Cited**

U.S. PATENT DOCUMENTS

2,403,558 A * 7/1946 Schoof A47C 3/029
297/45
D244,646 S * 6/1977 Uchida D6/348

5,992,929 A * 11/1999 Liu A47C 4/10
297/272.1

D455,567 S * 4/2002 Liu D6/348

D523,649 S * 6/2006 Sanford-Schwentke D6/348

2017/0086587 A1 * 3/2017 Chen A47C 3/029

2017/0156500 A1 * 6/2017 Lv A47C 4/18

* cited by examiner

Primary Examiner — Deanna L Pratt

(74) *Attorney, Agent, or Firm* — Keisling & Pieper PLC;
David B. Pieper

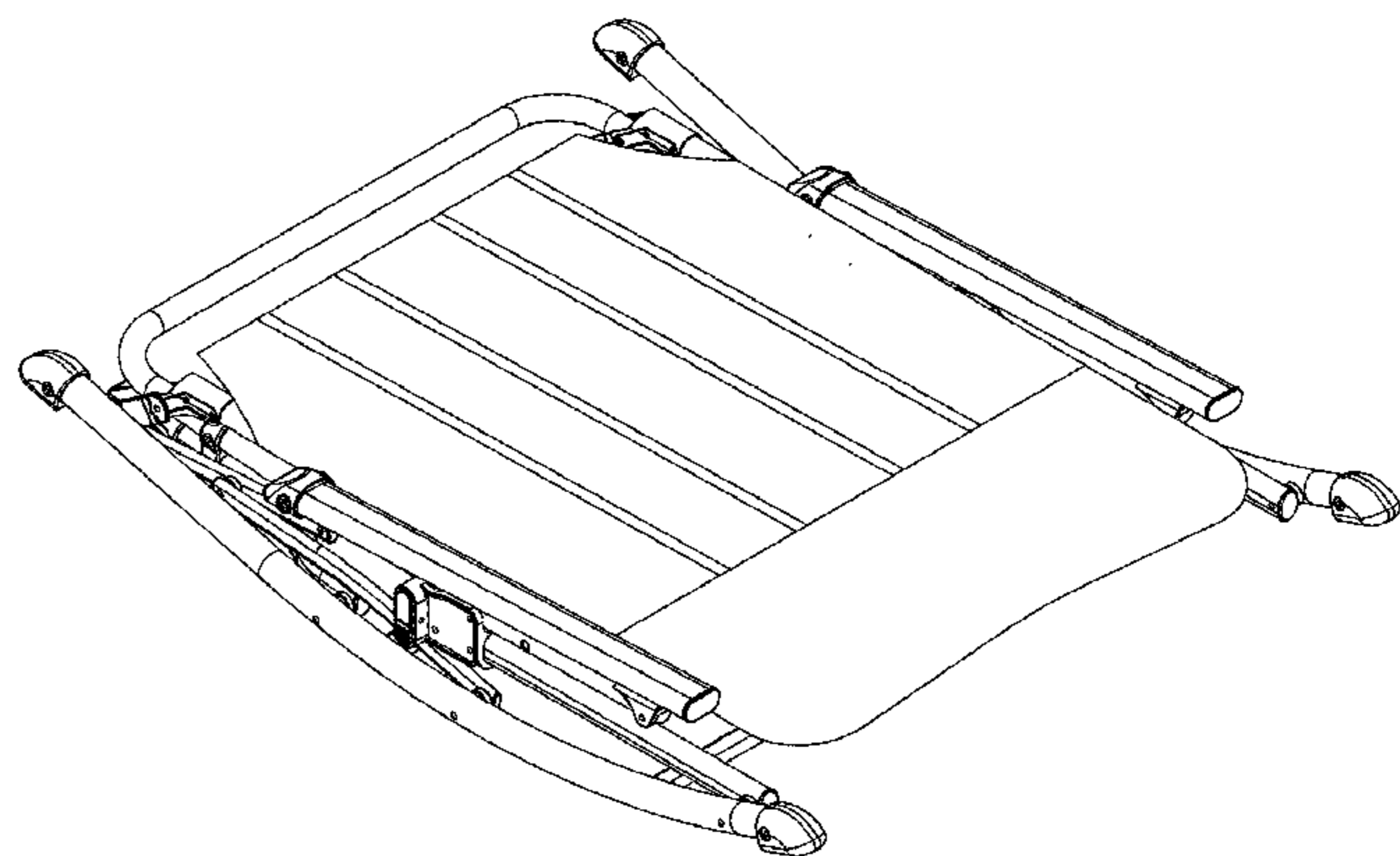
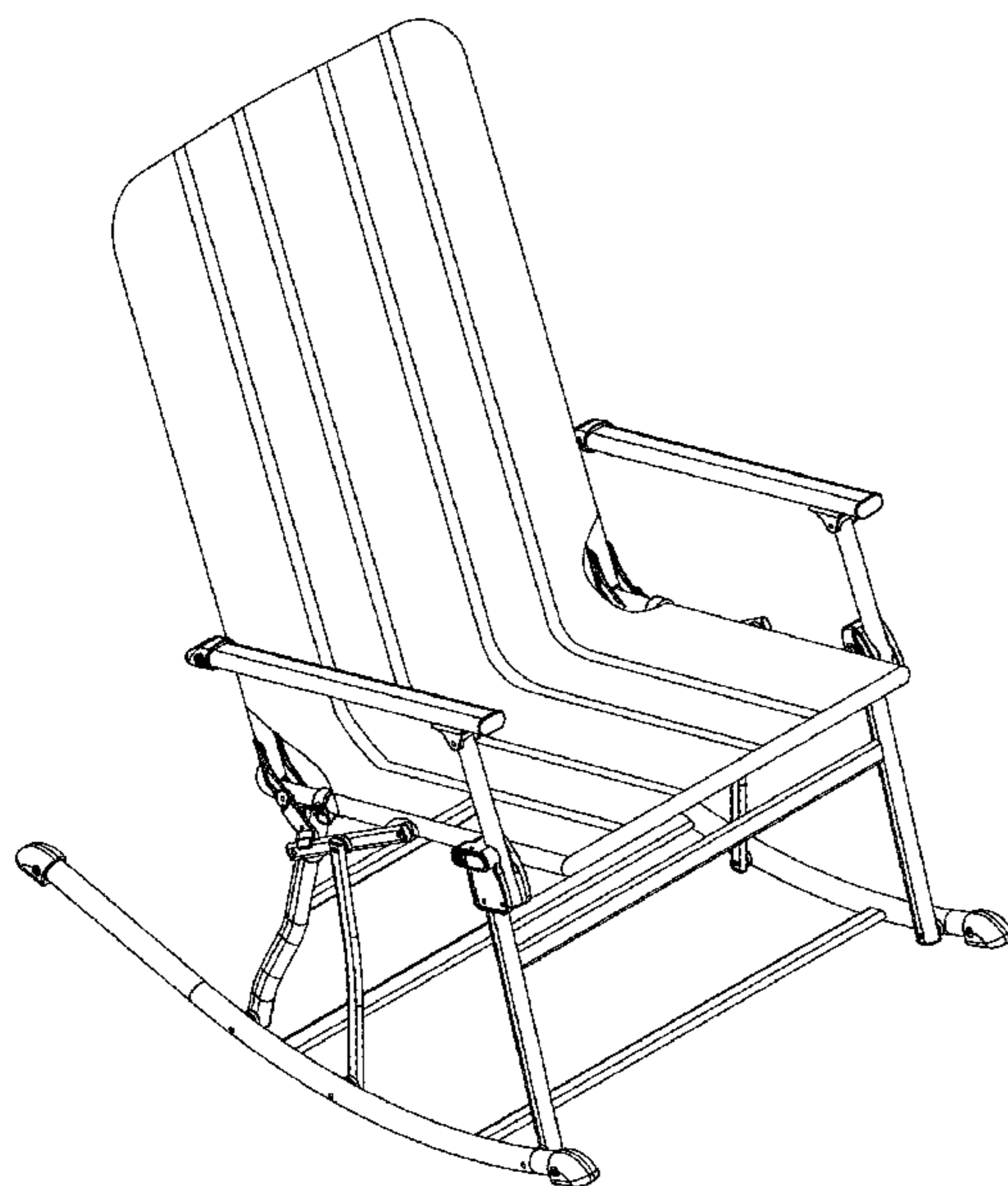
(57) **CLAIM**

The ornamental design for a folding rocking chair, as shown
and described.

DESCRIPTION

FIG. 1 is a perspective view of a folding rocking chair
showing my new design;
FIG. 2 is a back view thereof;
FIG. 3 is a left side view thereof;
FIG. 4 is a front view thereof;
FIG. 5 is a right side view thereof;
FIG. 6 is a top view thereof; and,
FIG. 7 is a perspective view of the folding rocking chair in
a folded position.

1 Claim, 3 Drawing Sheets



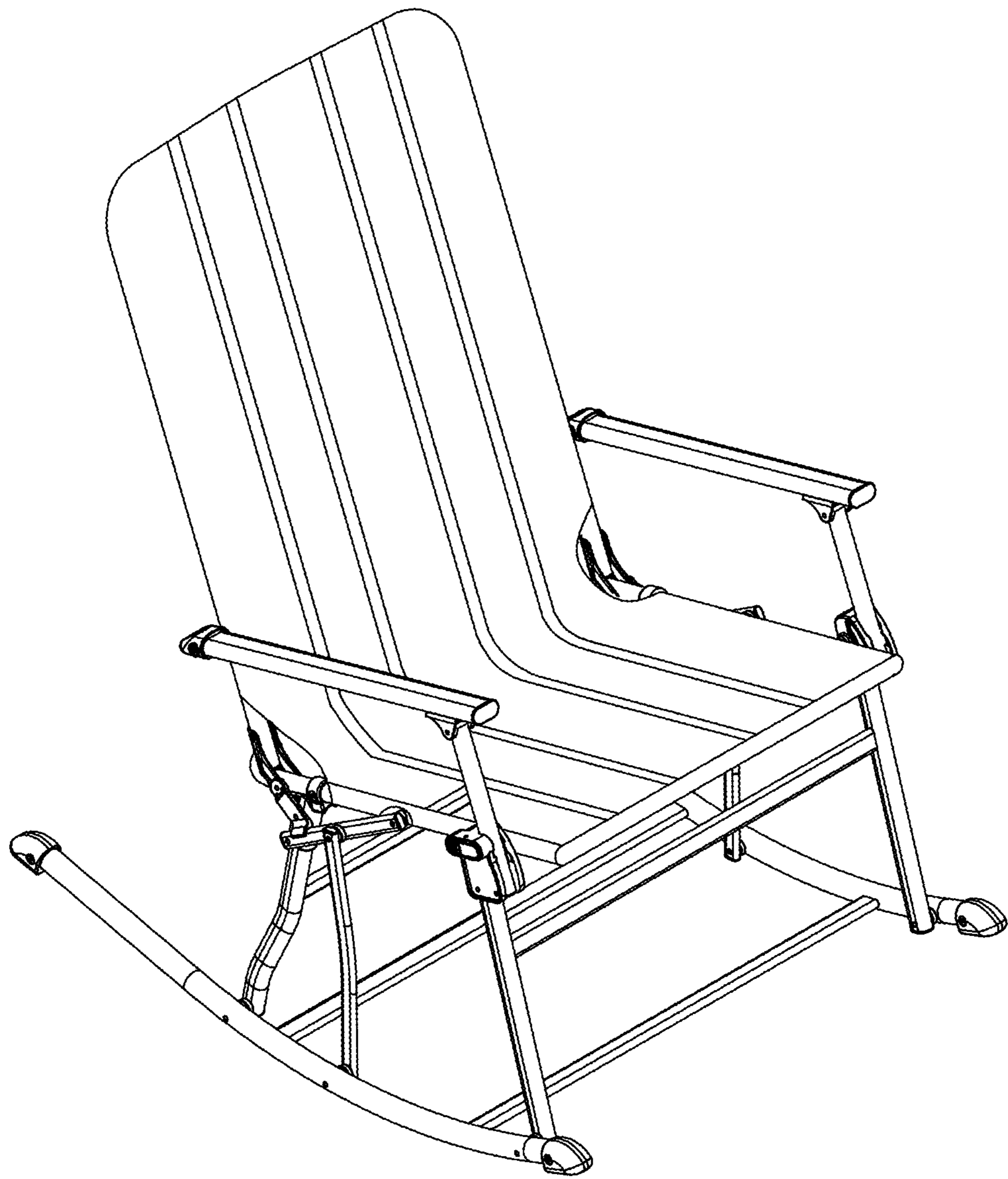


FIG. 1

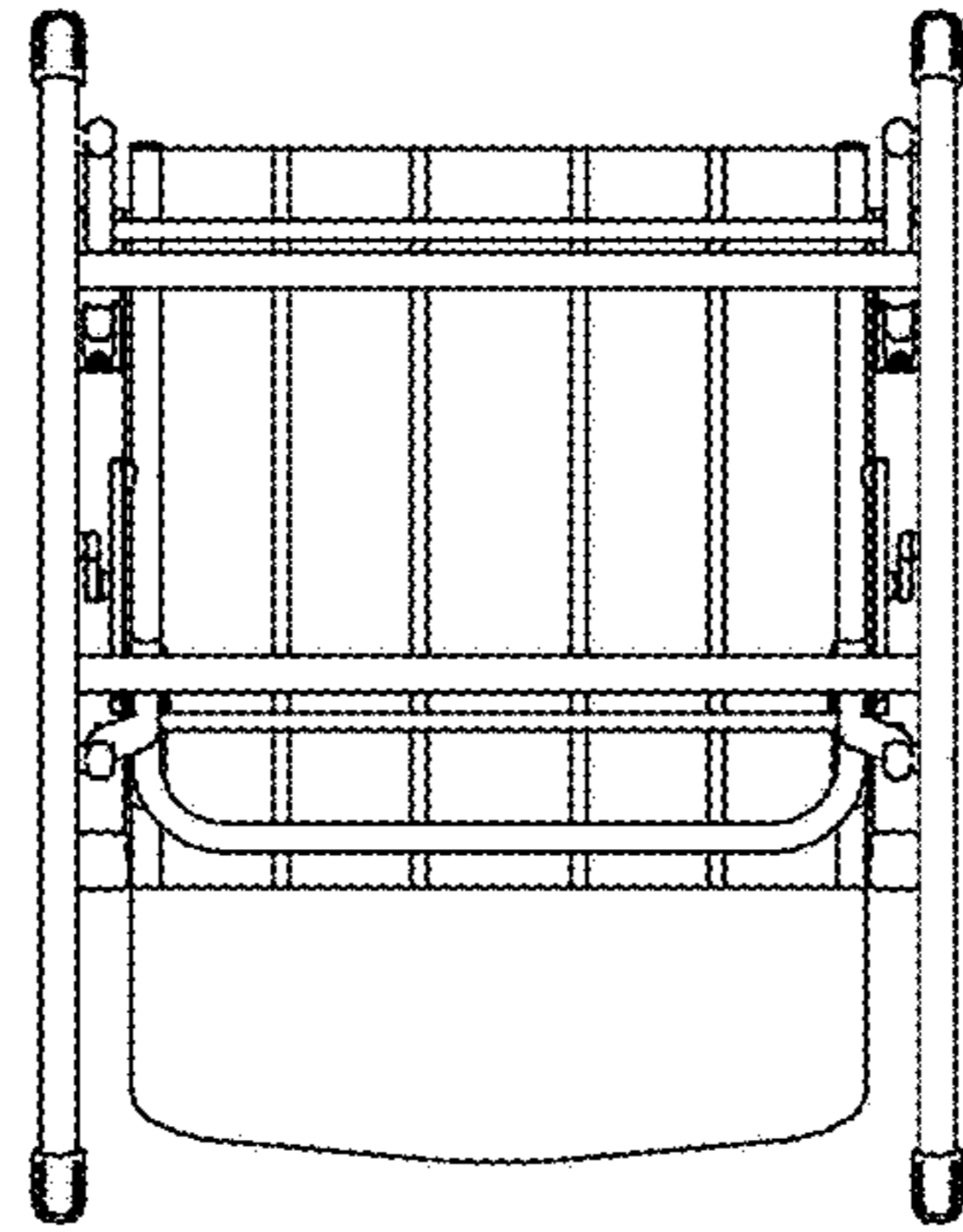


FIG. 2

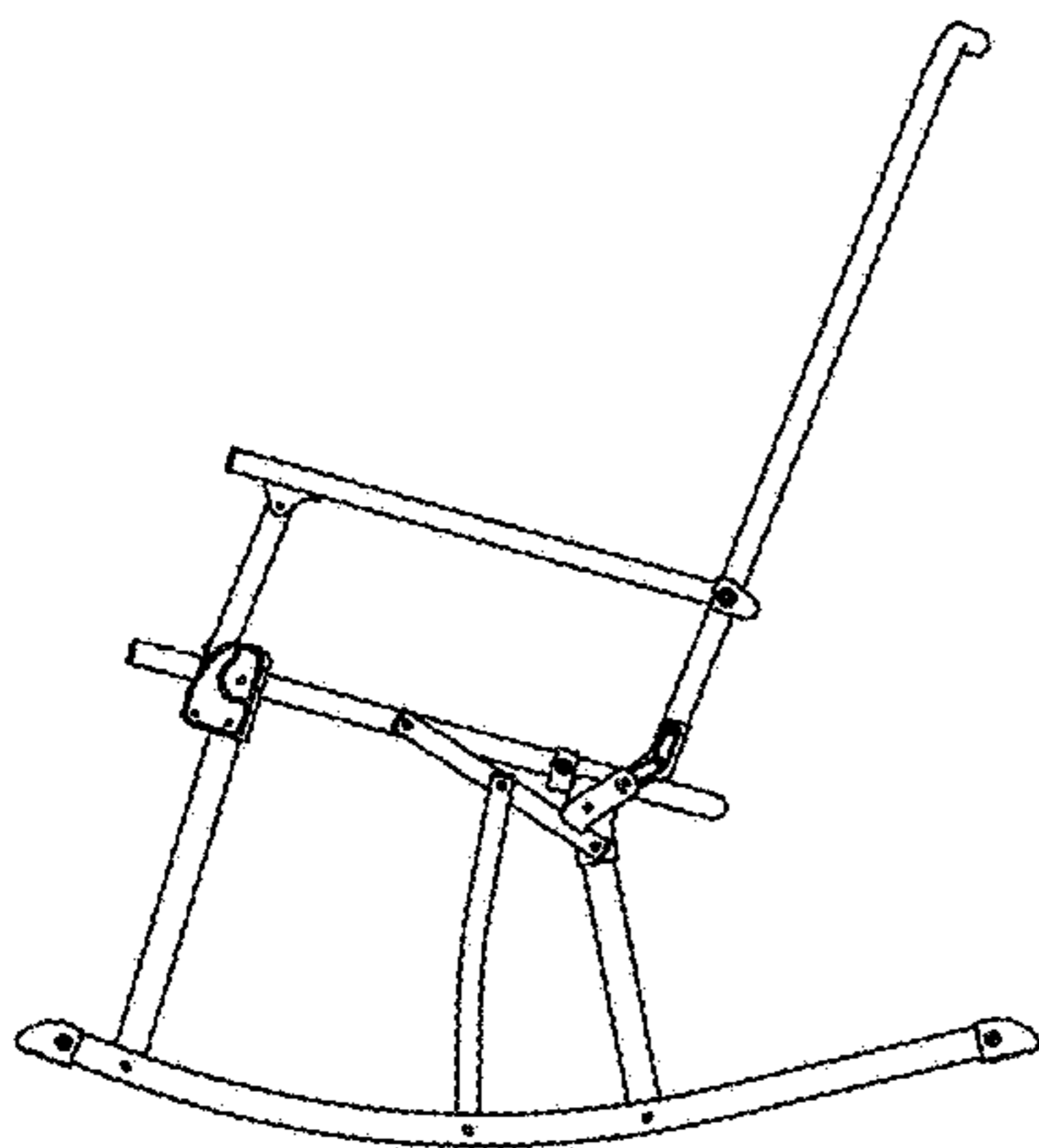


FIG. 3

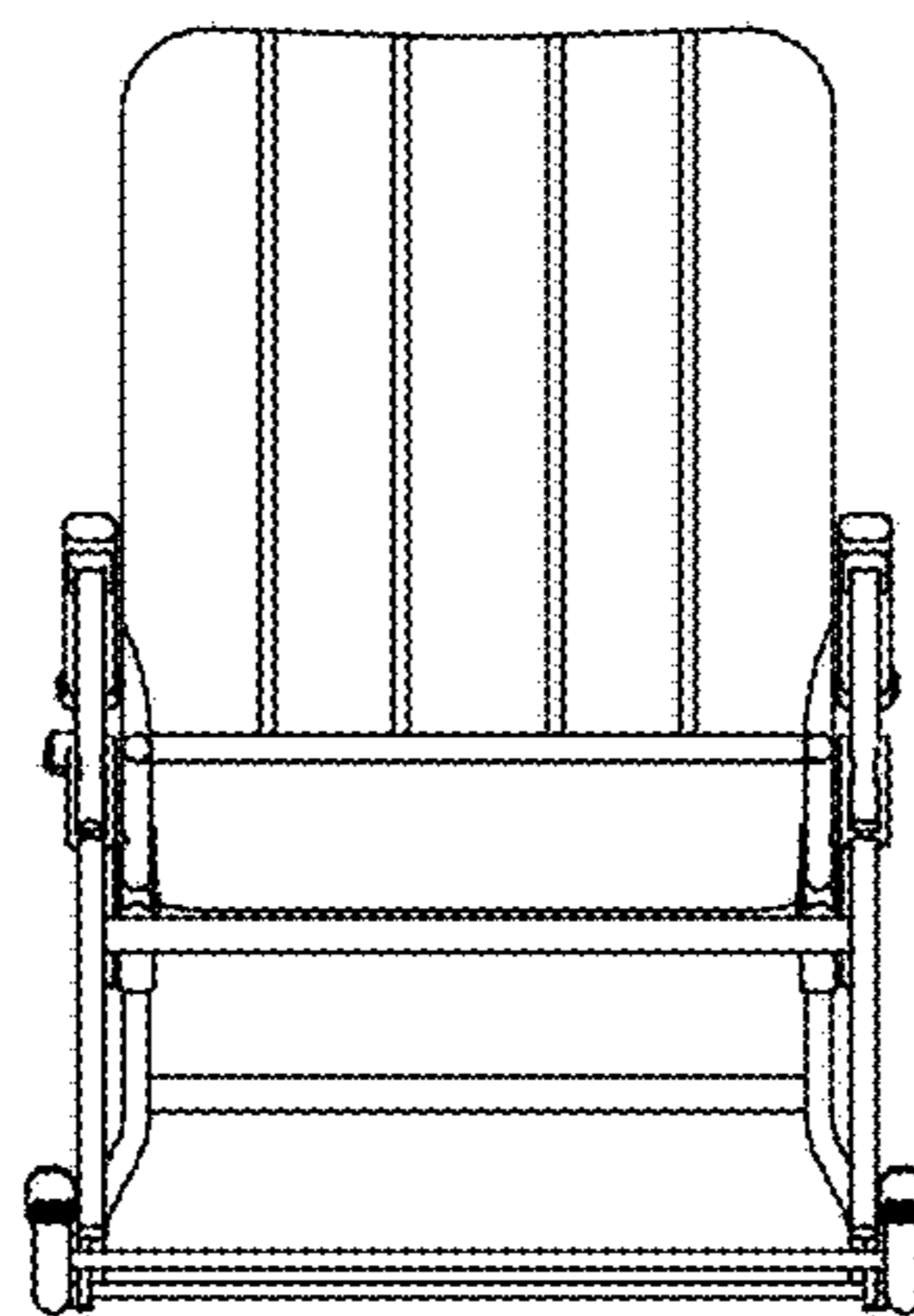


FIG. 4

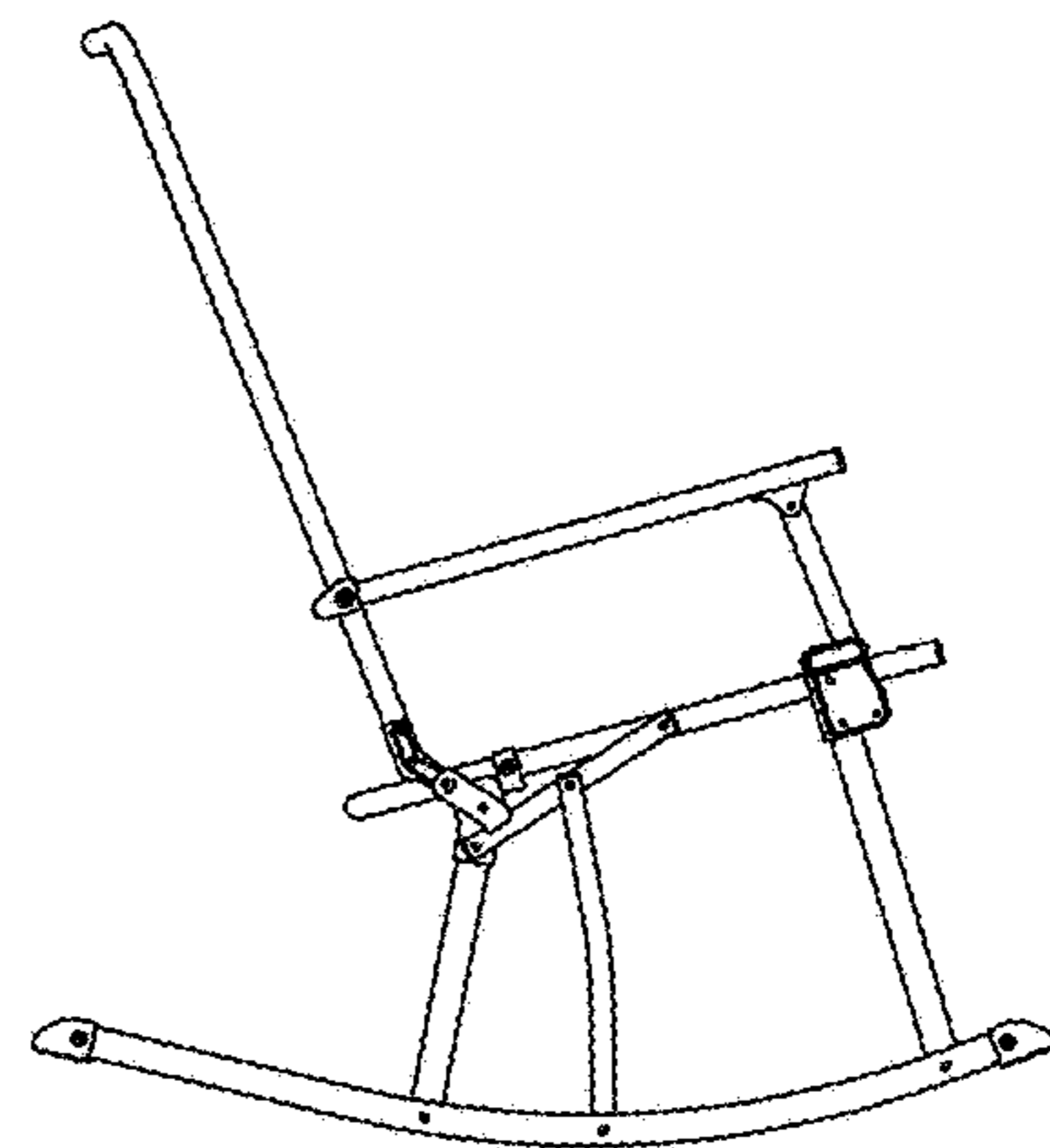


FIG. 5

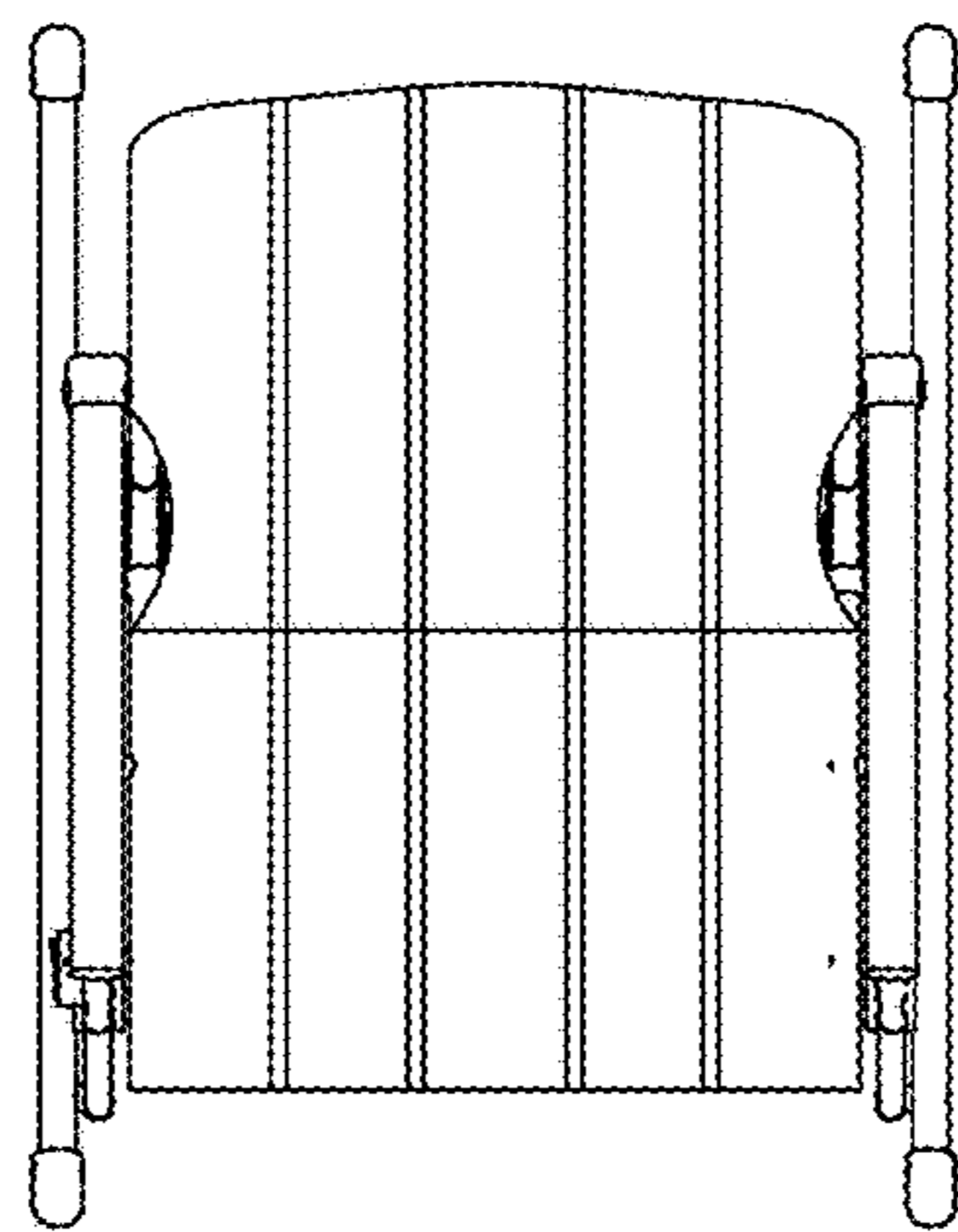


FIG. 6

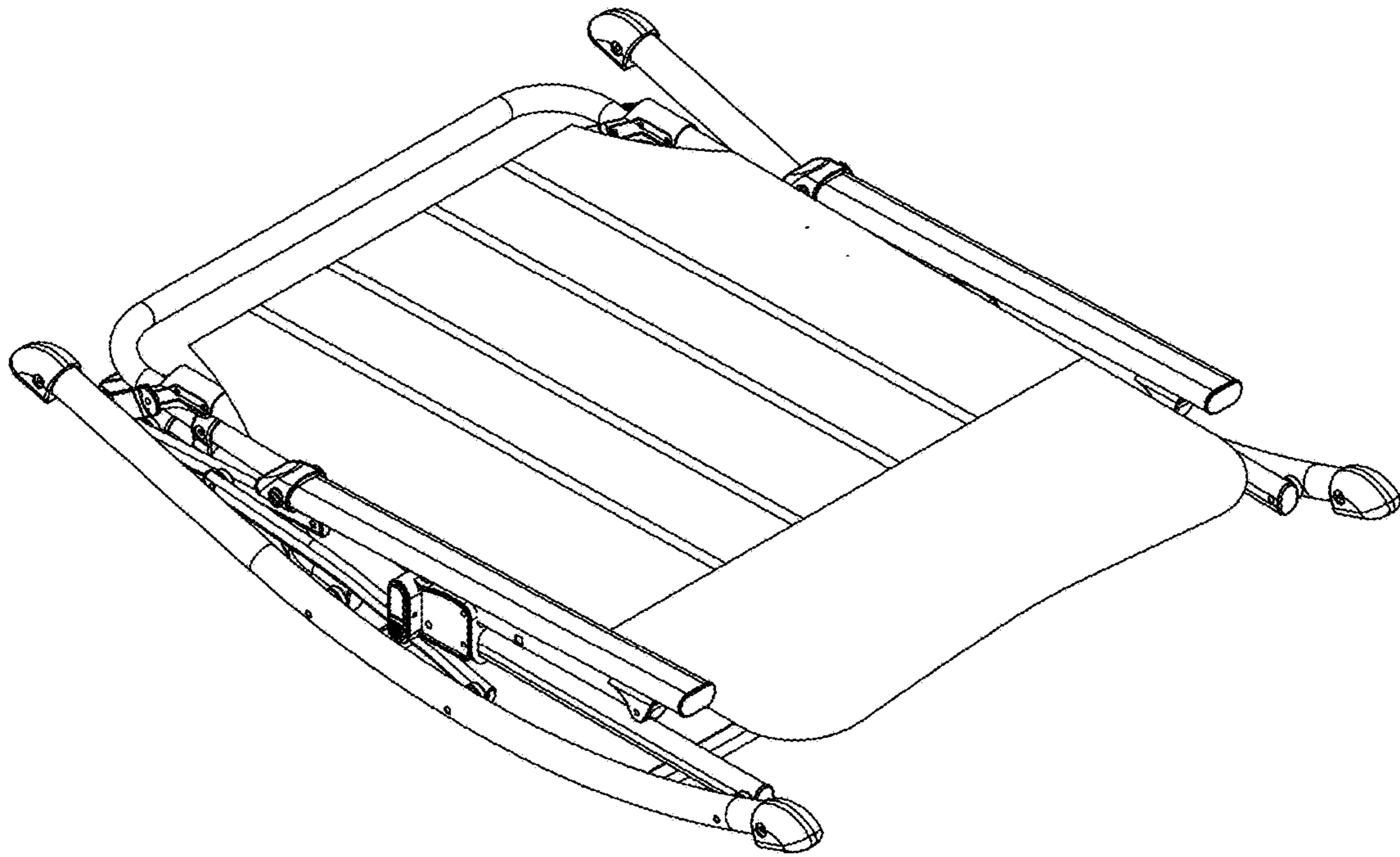


FIG. 7