



US00D825211S

(12) **United States Design Patent**  
**Lee**

(10) **Patent No.:** **US D825,211 S**

(45) **Date of Patent:** **\*\* Aug. 14, 2018**

(54) **CHAIR**

(71) Applicant: **JBL INTERNATIONAL, INC.**,  
Houston, TX (US)

(72) Inventor: **Lawrence K. Lee**, Houston, TX (US)

(73) Assignee: **JBL INTERNATIONAL, INC.**,  
Houston, TX (US)

(\*\*) Term: **15 Years**

(21) Appl. No.: **29/567,802**

(22) Filed: **Jun. 13, 2016**

(51) **LOC (11) Cl.** ..... **06-01**

(52) **U.S. Cl.**  
USPC ..... **D6/348**

(58) **Field of Classification Search**  
USPC ..... D6/334-336, 345, 348, 369, 370, 374,  
D6/376, 379, 380, 716, 716.1, 716.2,  
D6/716.3, 716.4, 717  
CPC .. A47C 3/02; A47C 4/03; A47C 3/023; A47C  
3/029; A47C 4/022; A47C 7/16  
See application file for complete search history.

(56) **References Cited**

**U.S. PATENT DOCUMENTS**

D43,442 S \* 1/1913 Taylor ..... D6/348  
D43,443 S \* 1/1913 Taylor ..... D6/348

D502,608 S \* 3/2005 Brown ..... D6/345  
D597,325 S \* 8/2009 Lee ..... D6/348  
D701,392 S \* 3/2014 Lee ..... D6/369  
D735,482 S \* 8/2015 Lee ..... D6/348  
D736,528 S \* 8/2015 Lee ..... D6/348  
D781,631 S \* 3/2017 Lee ..... D6/717

\* cited by examiner

*Primary Examiner* — Mimososa De

(74) *Attorney, Agent, or Firm* — Egbert Law Offices,  
PLLC

(57) **CLAIM**

The ornamental design for a chair, as shown and described.

**DESCRIPTION**

FIG. 1 is a perspective view of a chair showing my new design.

FIG. 2 is a front view thereof;

FIG. 3 is a rear view thereof;

FIG. 4 is a side view thereof;

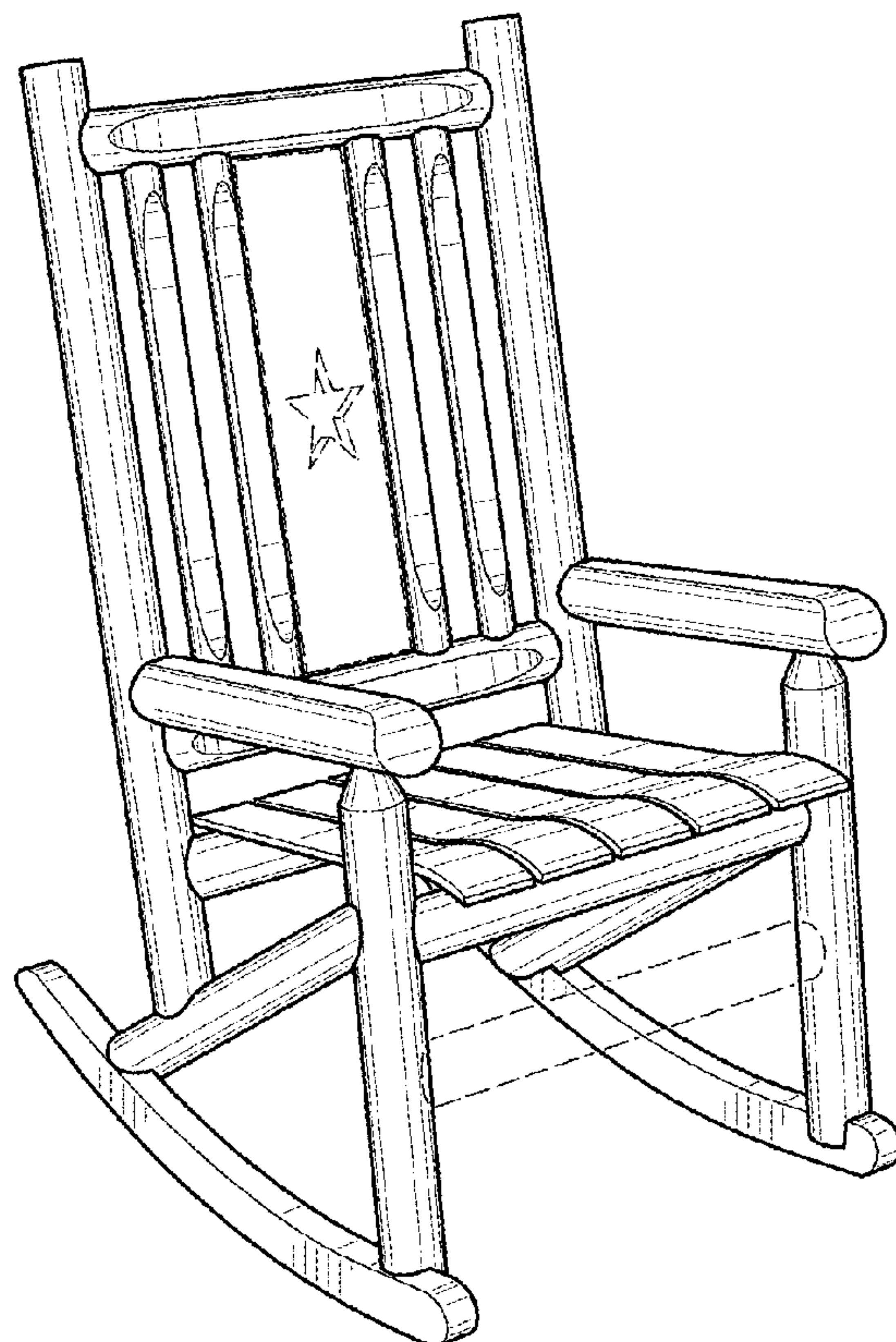
FIG. 5 is an opposite side view thereof;

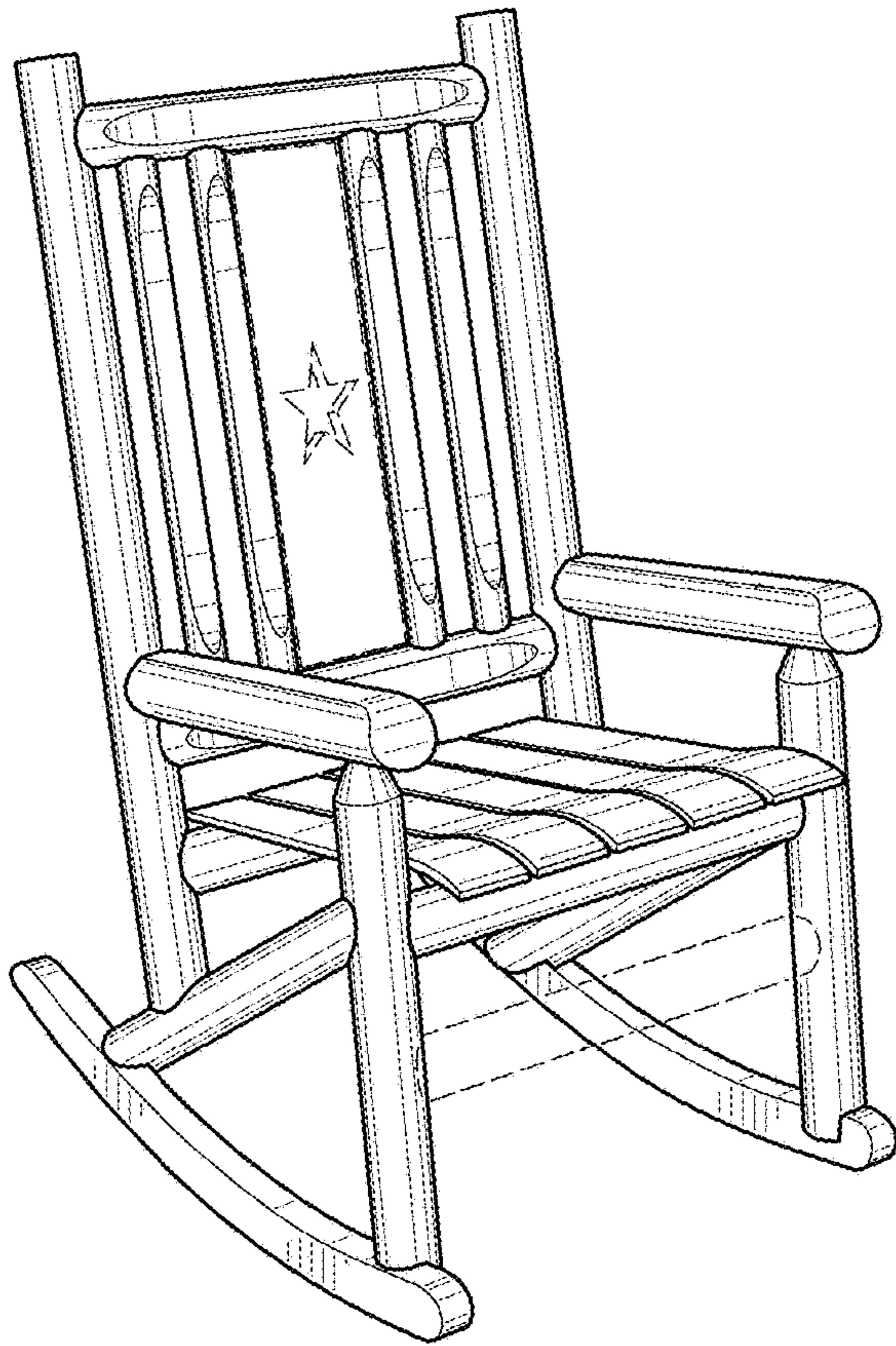
FIG. 6 is a top view thereof; and,

FIG. 7 is a bottom view thereof.

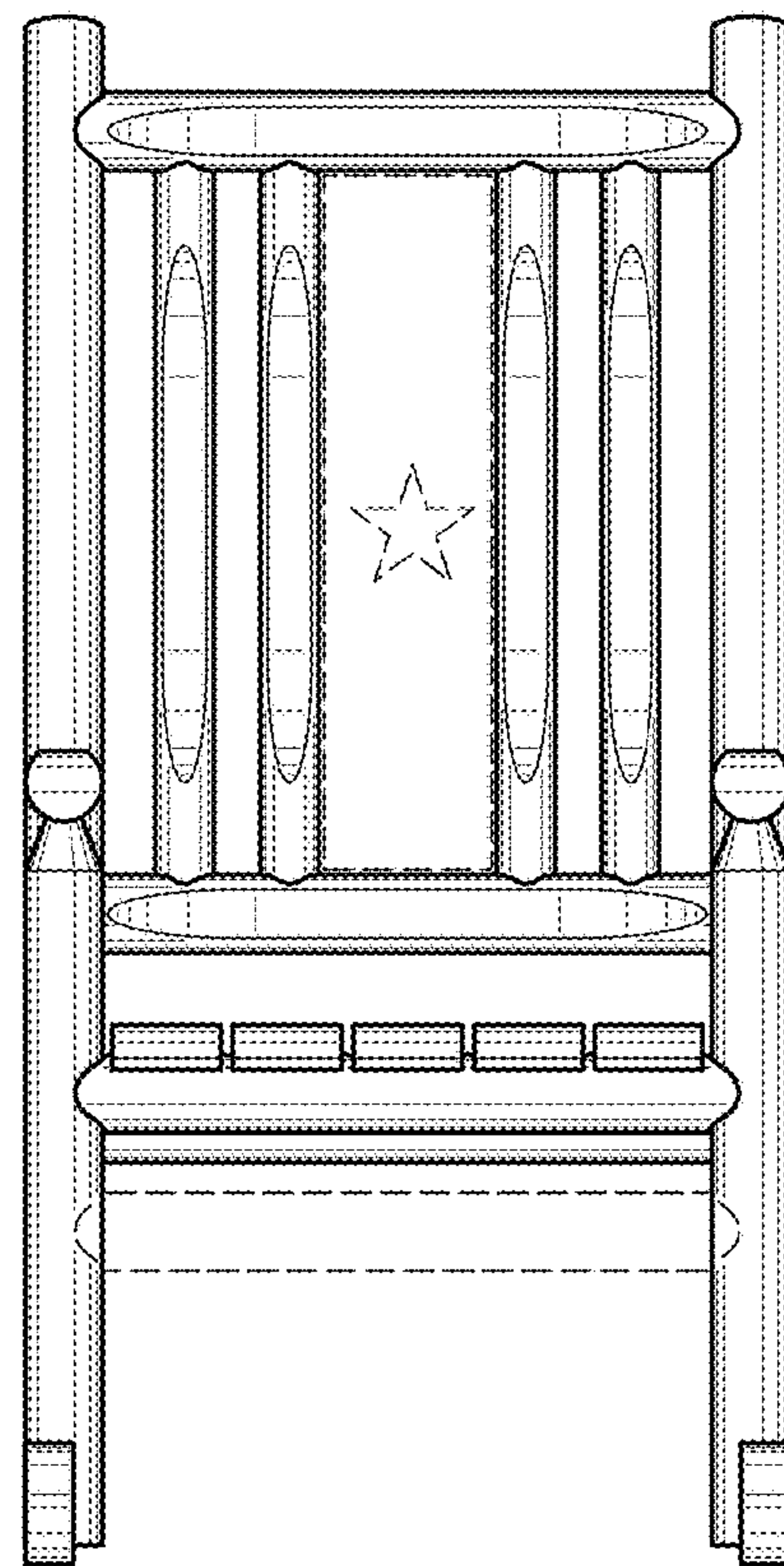
The features presented in broken lines represent unclaimed portions of the chair and form no part of the claimed design.

**1 Claim, 3 Drawing Sheets**

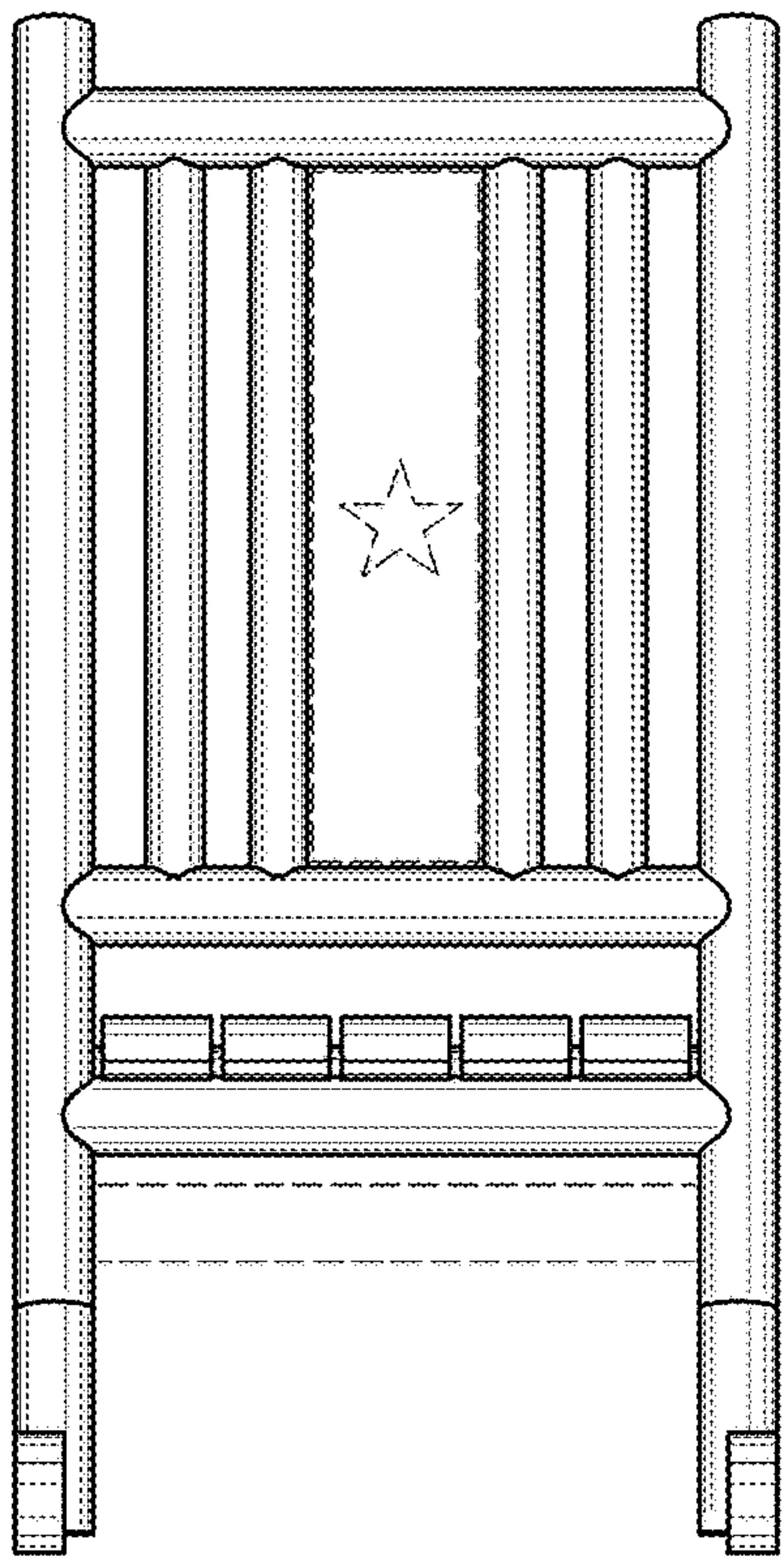




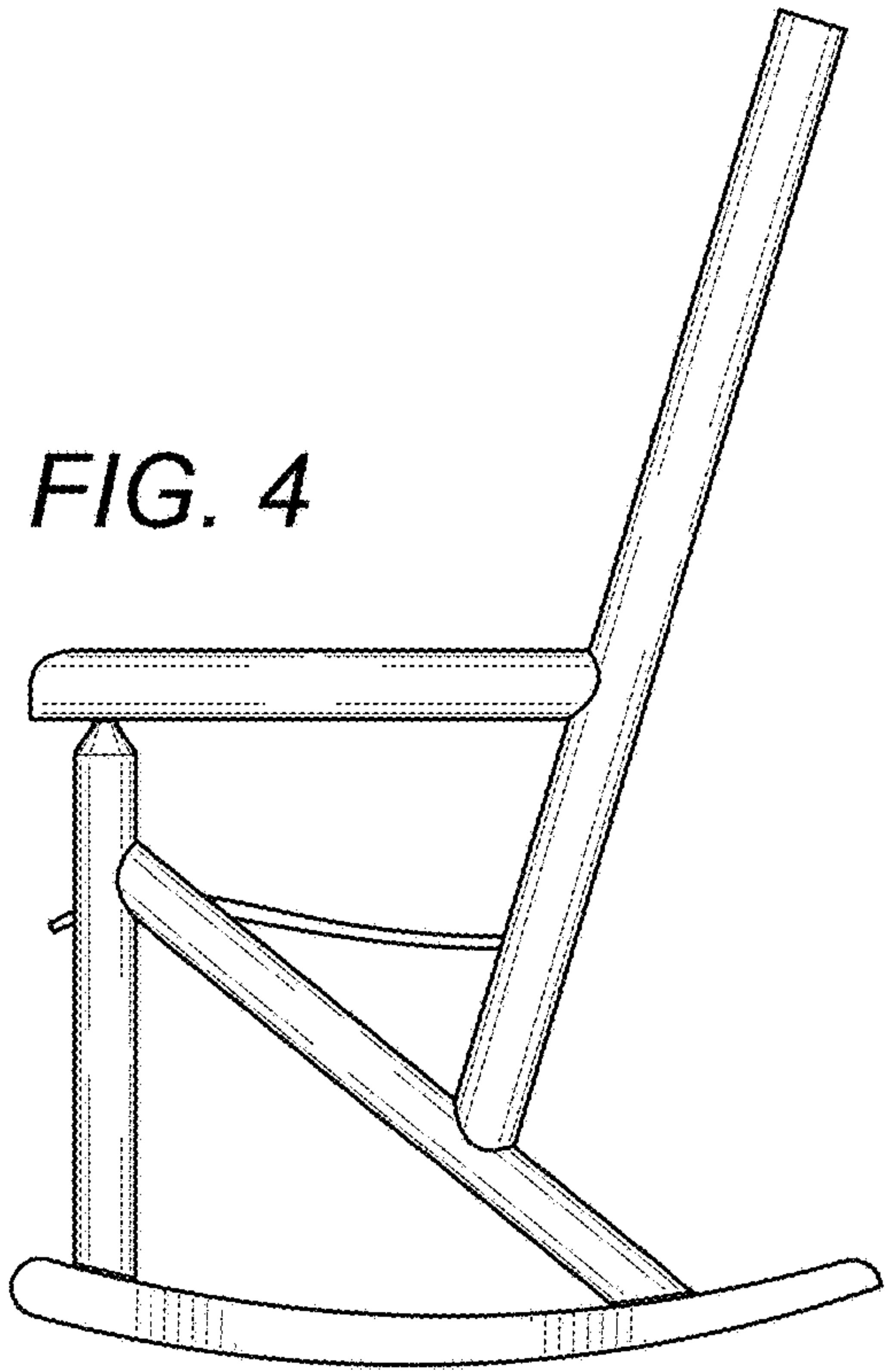
*FIG. 1*



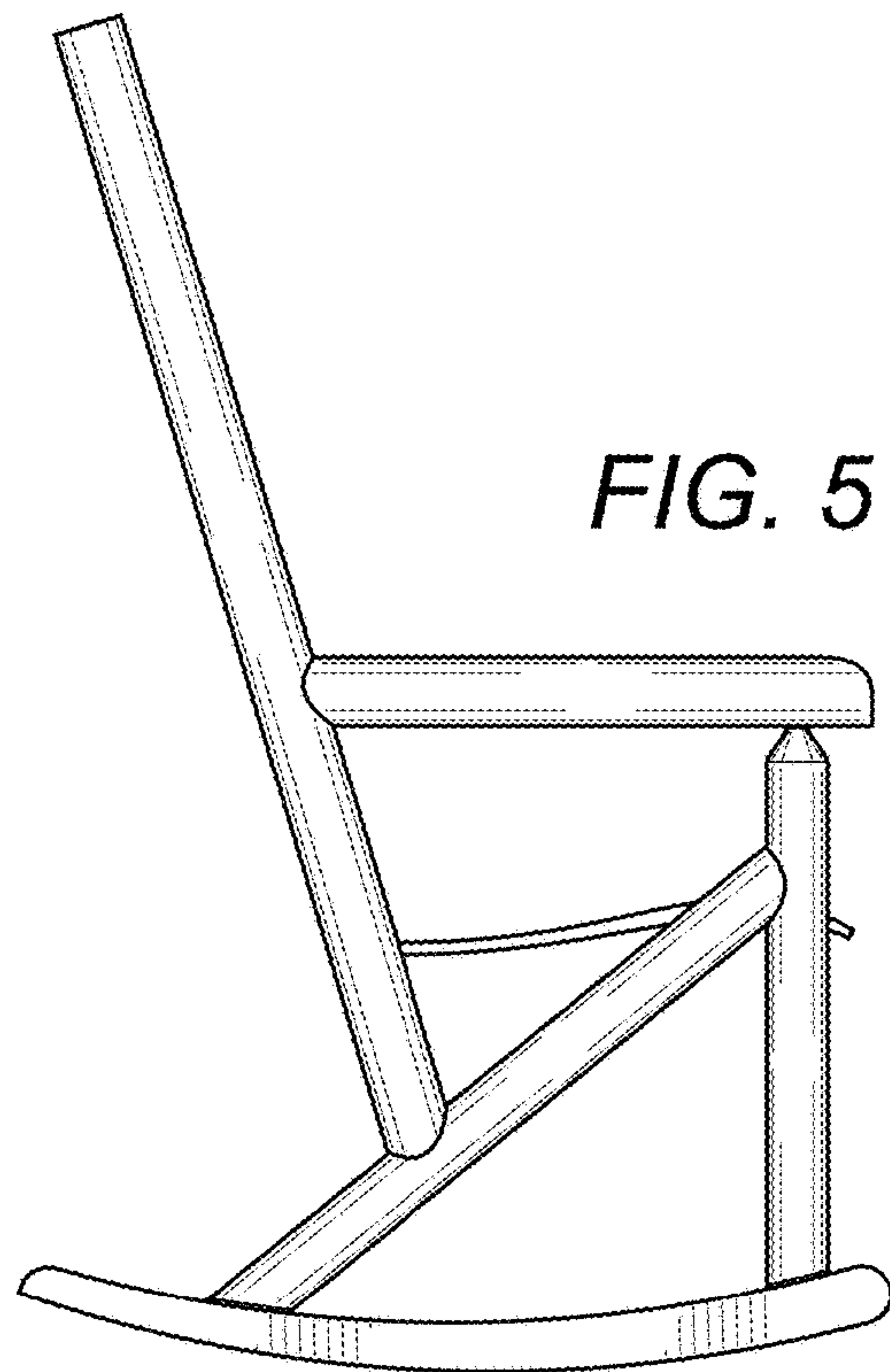
*FIG. 2*



*FIG. 3*

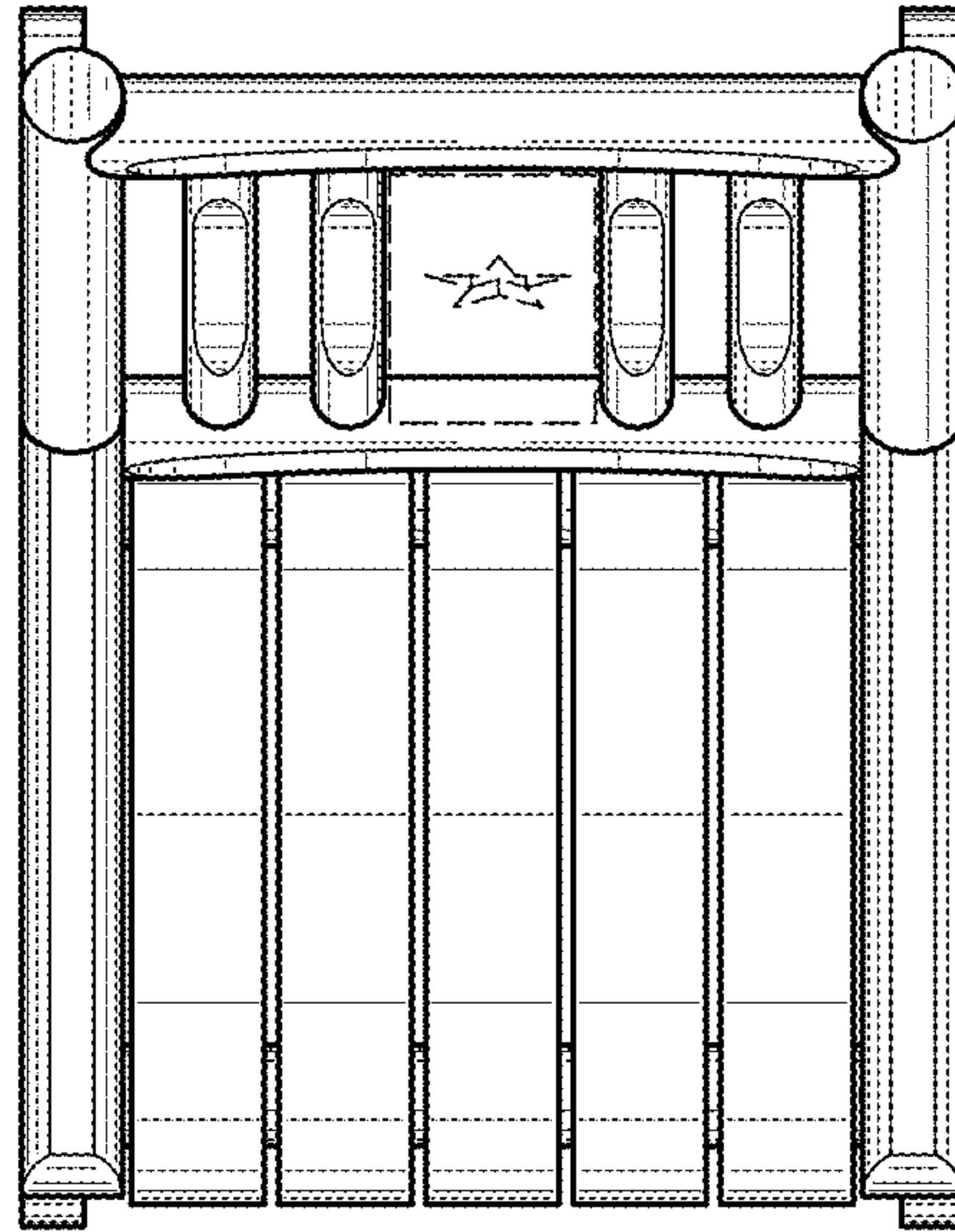


*FIG. 4*

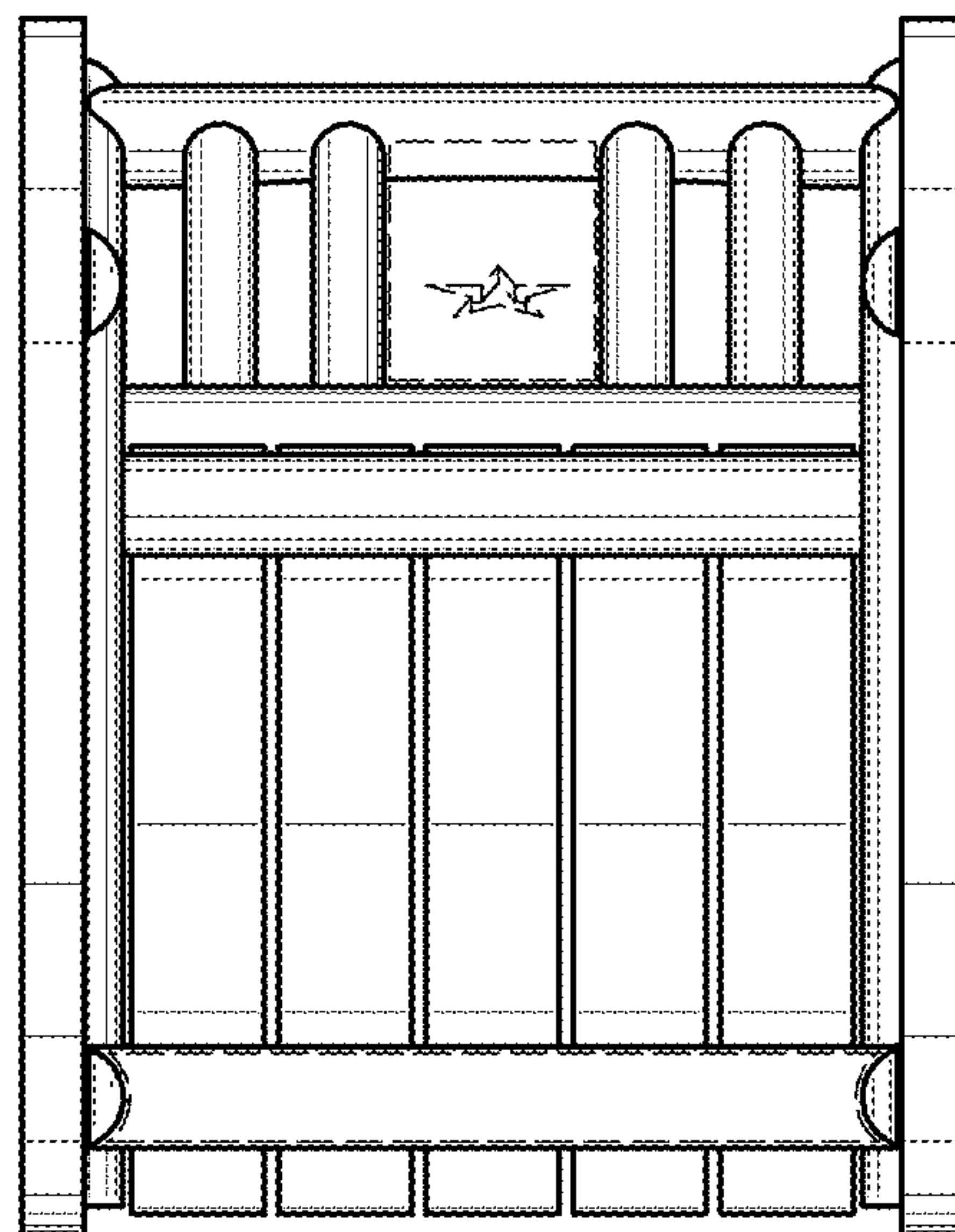


*FIG. 5*





*FIG. 6*



*FIG. 7*