



US00D825210S

(12) **United States Design Patent** (10) **Patent No.:** **US D825,210 S**
Lee (45) **Date of Patent:** **** Aug. 14, 2018**

- (54) **TETE-A-TETE FRAME**
- (71) Applicant: **JBL INTERNATIONAL, INC,**
Houston, TX (US)
- (72) Inventor: **Lawrence K. Lee,** Houston, TX (US)
- (73) Assignee: **JBL INTERNATIONAL, INC,**
Houston, TX (US)
- (**) Term: **15 Years**
- (21) Appl. No.: **29/619,125**
- (22) Filed: **Sep. 27, 2017**
- (51) **LOC (11) Cl.** **06-01**
- (52) **U.S. Cl.**
USPC **D6/344; D6/381**
- (58) **Field of Classification Search**
CPC A47C 7/00; A47C 7/62; A47C 7/18; A47C
7/54; A47C 4/00; A47C 4/028; A47C
4/28; A47C 3/16; A47C 3/04; A47C 3/12;
A47C 1/02; A47C 1/14
See application file for complete search history.

- 6,877,810 B2 * 4/2005 Haney A47C 3/0255
297/281
- D524,561 S * 7/2006 Pomeroy D6/344
- D525,441 S * 7/2006 Pomeroy D6/336
- D525,442 S * 7/2006 Pomeroy D6/344
- D704,459 S * 5/2014 Zhang D6/335
- D811,102 S * 2/2018 Lee D6/344
- D815,846 S * 4/2018 Lee D6/344
- D819,381 S * 6/2018 Lee D6/717

* cited by examiner

Primary Examiner — Deanna L Pratt
(74) *Attorney, Agent, or Firm* — Egbert Law Offices,
PLLC

(57) **CLAIM**

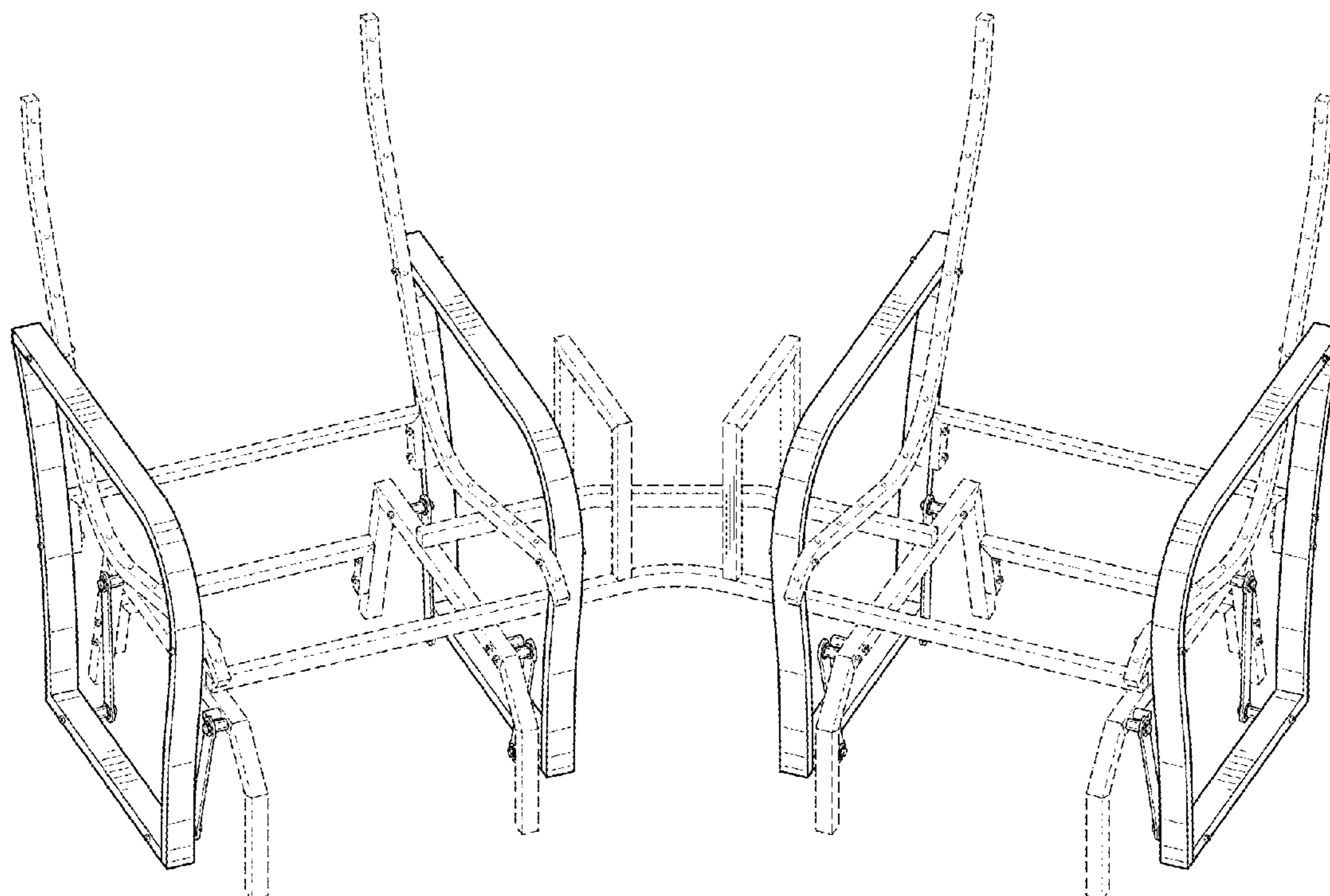
The ornamental design for a tete-a-tete frame, as shown and described.

DESCRIPTION

FIG. 1 is a perspective view of a tete-a-tete frame showing my new design.
FIG. 2 is a front view thereof;
FIG. 3 is a rear view thereof;
FIG. 4 is a side view thereof;
FIG. 5 is an opposite side view thereof;
FIG. 6 is a top view thereof; and,
FIG. 7 is a bottom view thereof.
The features presented in broken lines represent unclaimed portions of the tete-a-tete frame and form no part of the claimed design.

1 Claim, 3 Drawing Sheets

- (56) **References Cited**
U.S. PATENT DOCUMENTS
5,667,273 A * 9/1997 Noll A47C 3/0255
296/205
D430,743 S * 9/2000 Pomeroy D6/336
D432,323 S * 10/2000 Pomeroy D6/344
D464,492 S * 10/2002 Pomeroy D6/336



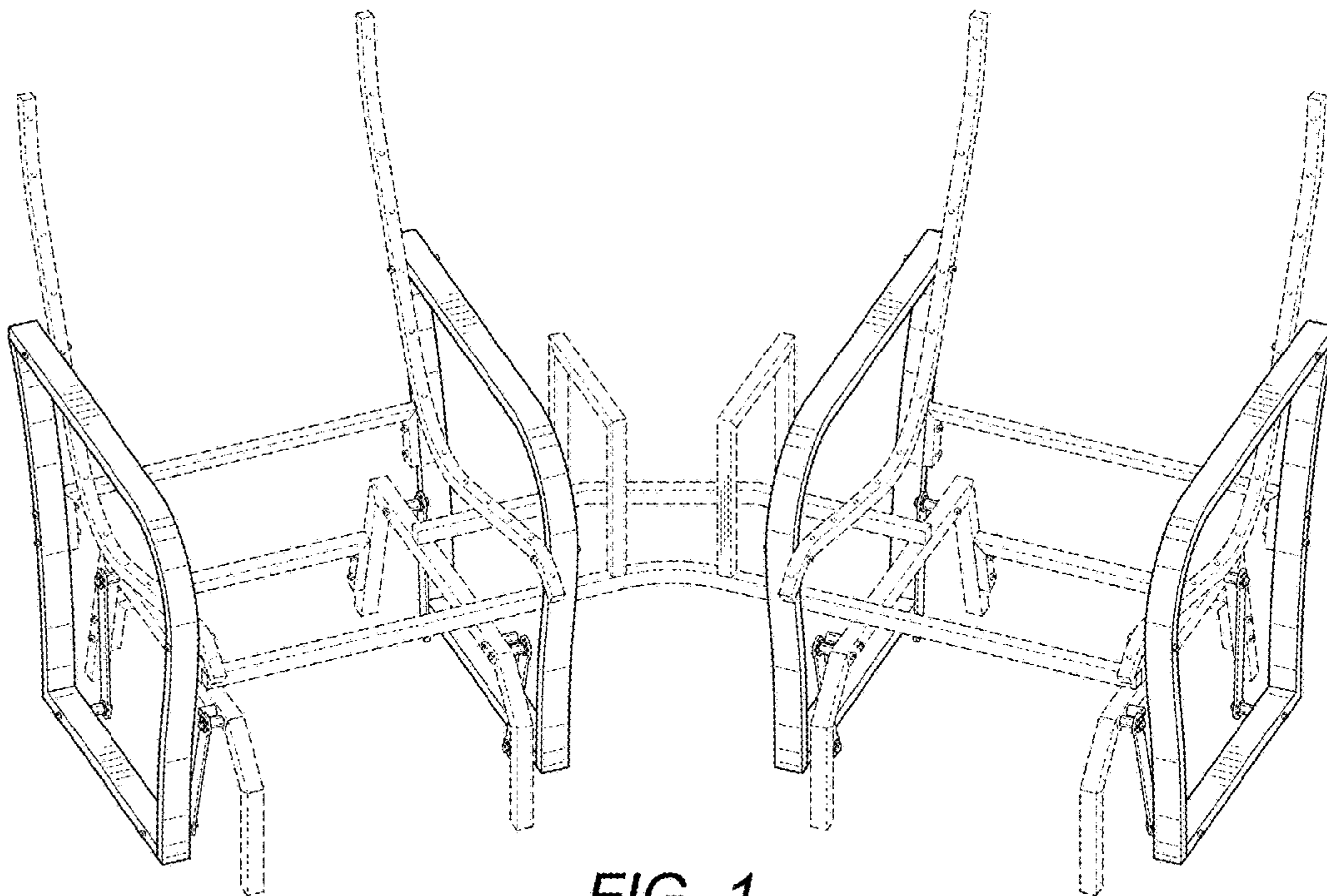


FIG. 1

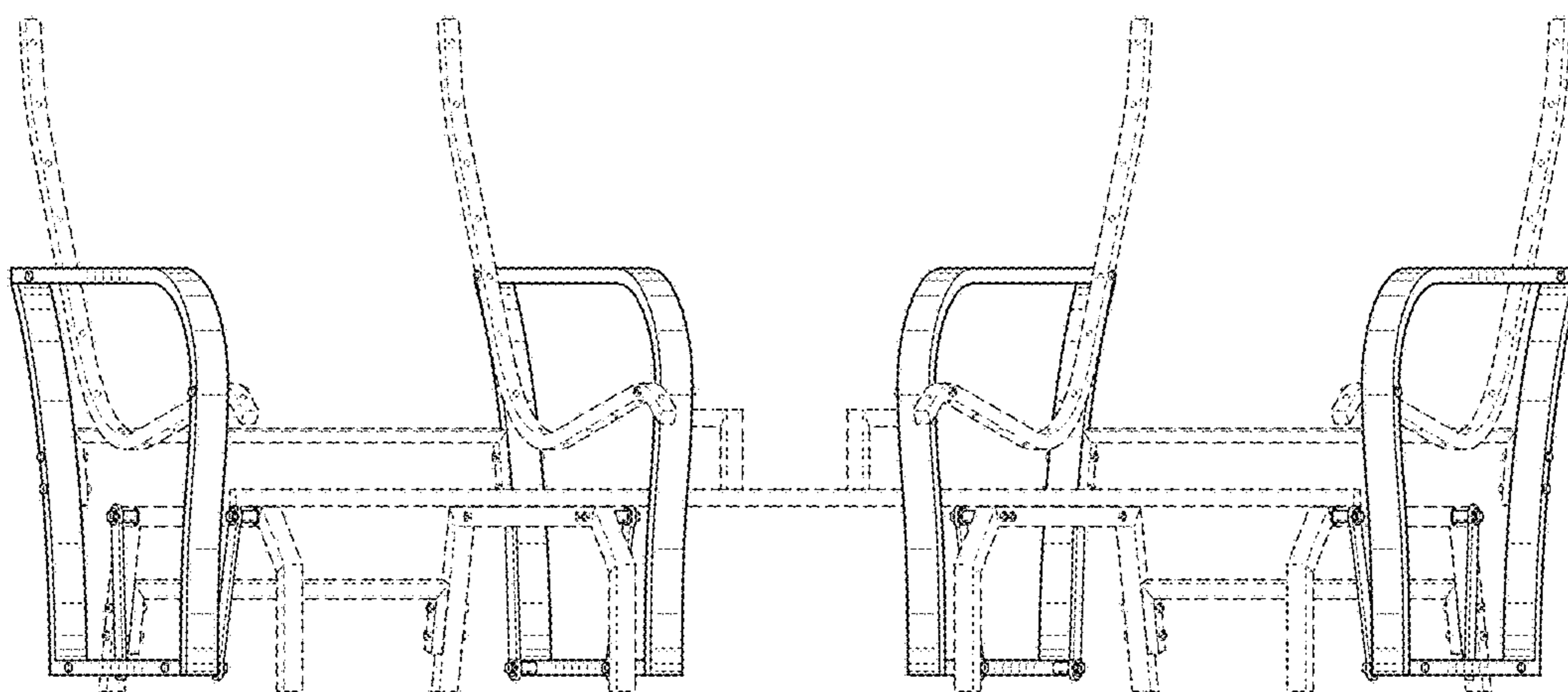


FIG. 2

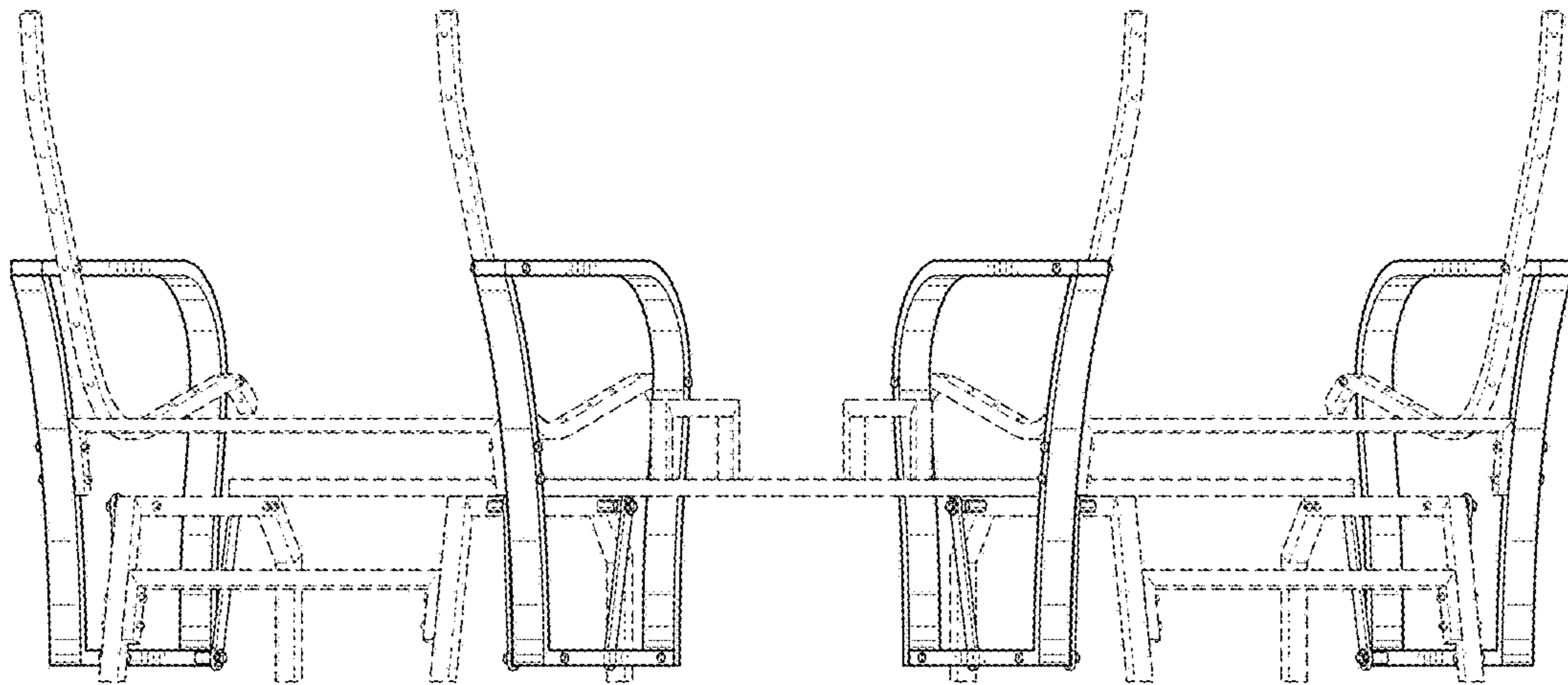


FIG. 3

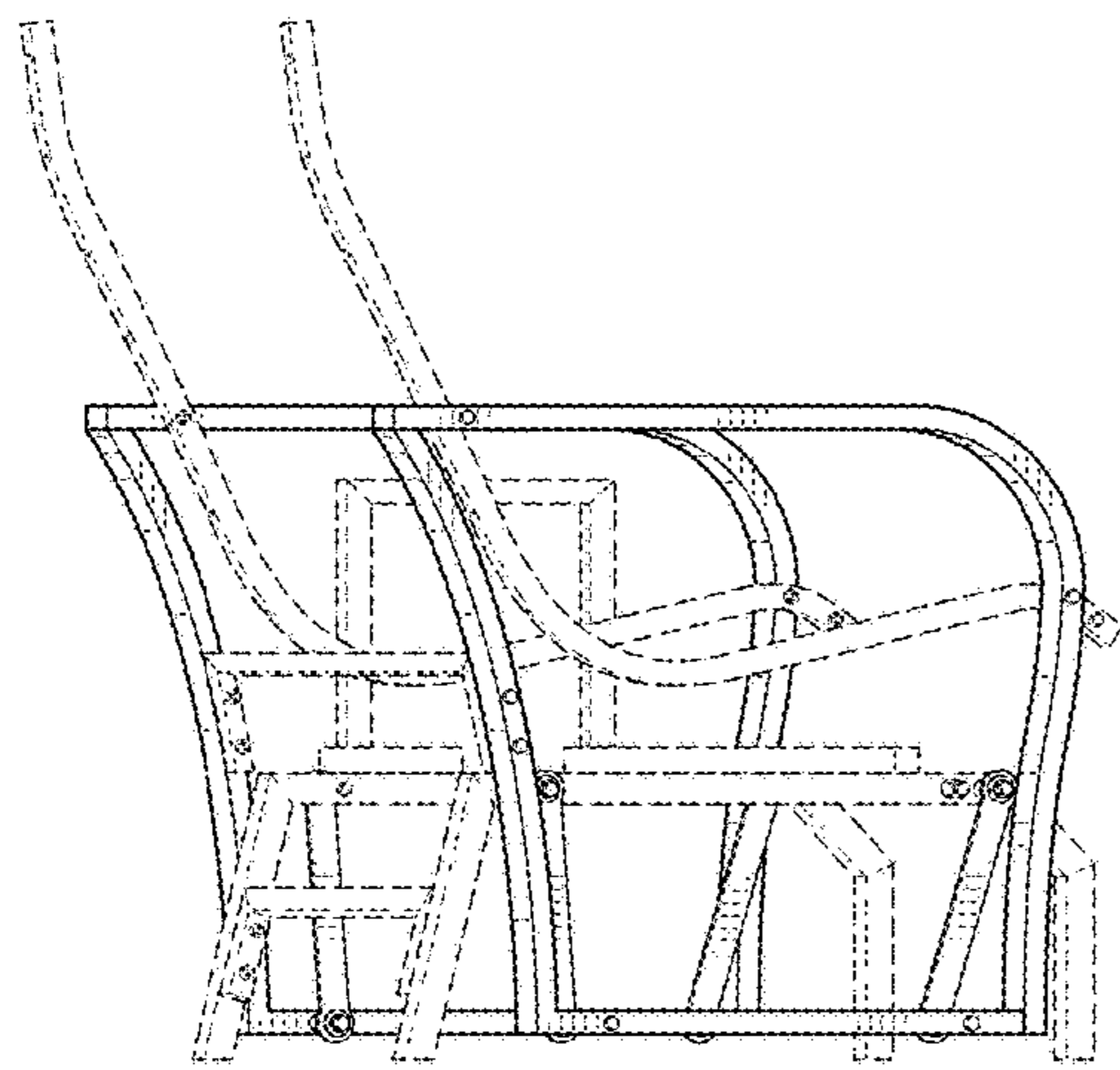


FIG. 4

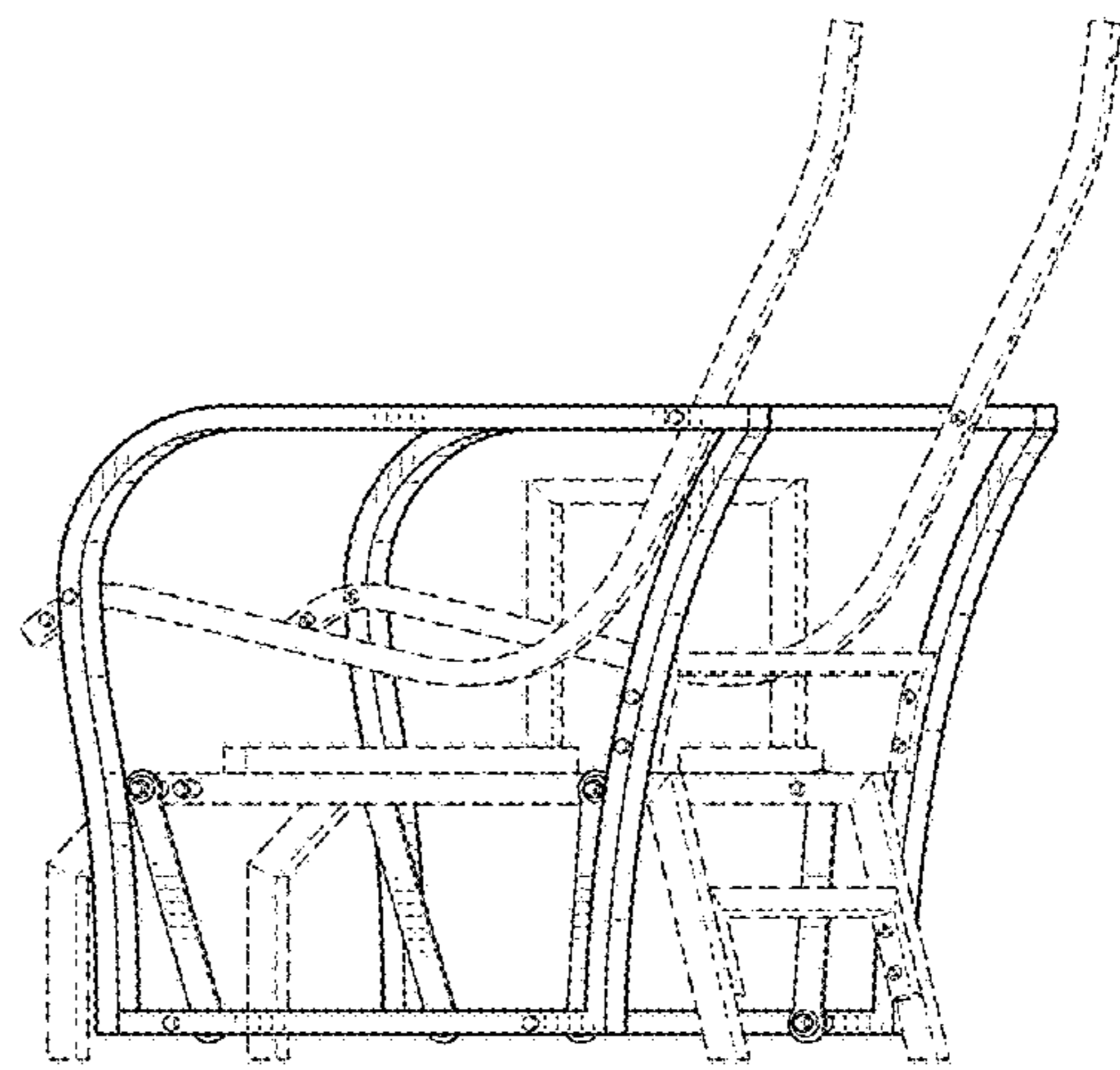


FIG. 5

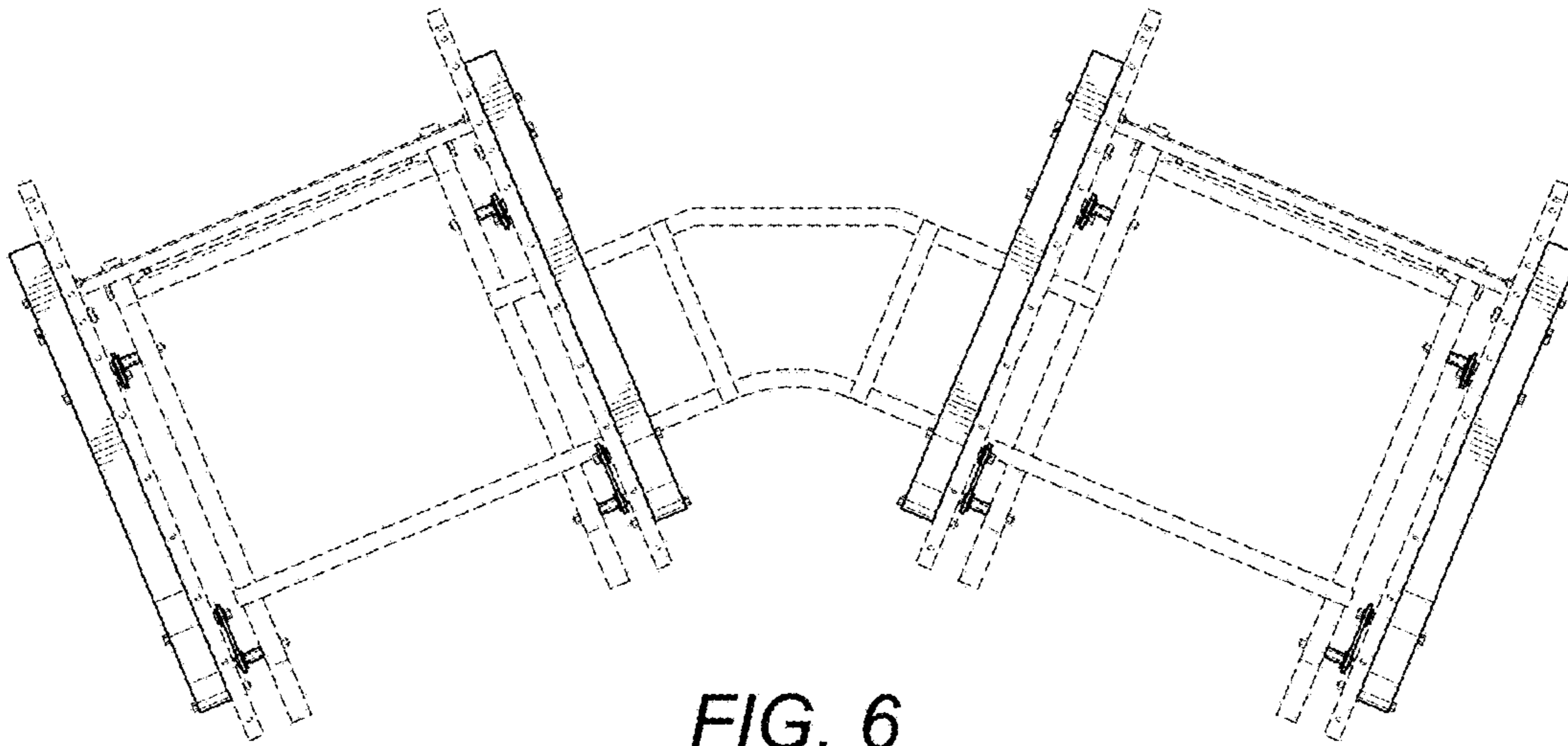


FIG. 6

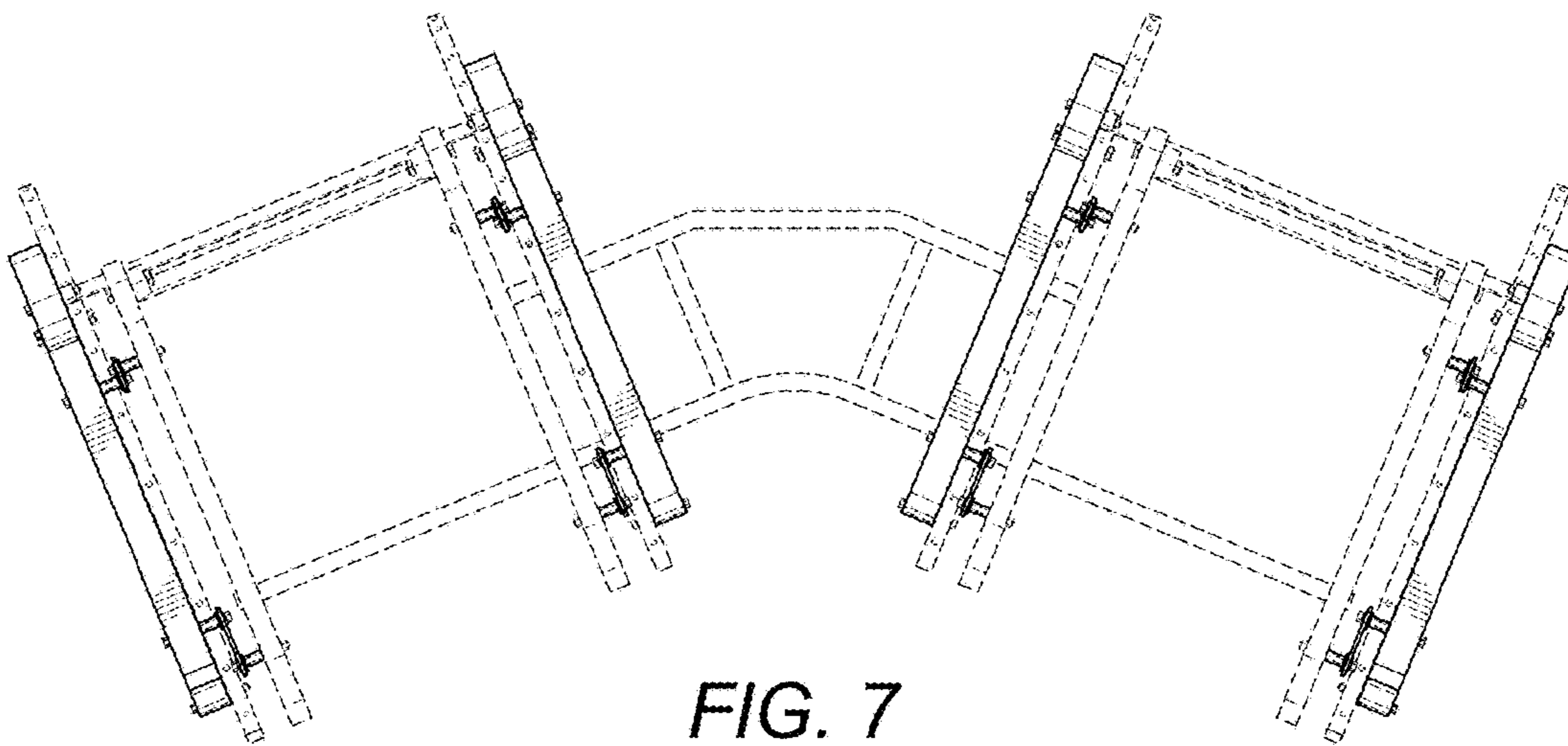


FIG. 7