



US00D825208S

(12) **United States Design Patent**  
**Solterbeck**

(10) **Patent No.:** **US D825,208 S**

(45) **Date of Patent:** **\*\* Aug. 14, 2018**

(54) **TABLE WITH INTEGRATED CHAIRS**

(71) Applicant: **William D. Solterbeck**, Hampton, VA  
(US)

(72) Inventor: **William D. Solterbeck**, Hampton, VA  
(US)

(\*\*) Term: **15 Years**

(21) Appl. No.: **29/620,977**

(22) Filed: **Sep. 21, 2017**

(51) **LOC (11) Cl.** ..... **06-01**

(52) **U.S. Cl.**

USPC ..... **D6/337**

(58) **Field of Classification Search**

USPC ..... D6/334-338, 340-342

CPC ..... A47B 3/14; A47B 3/002; A47B 3/083;

A47B 3/087; A47B 2003/145; A47B

83/02

See application file for complete search history.

(56) **References Cited**

**U.S. PATENT DOCUMENTS**

4,216,993 A \* 8/1980 Shumaker ..... A47B 83/02

108/161

D367,772 S \* 3/1996 Stirling ..... D6/337

8,407,944 B2 \* 4/2013 Baloga ..... A47B 87/002

52/234

D694,028 S \* 11/2013 Hall ..... D6/338

D802,945 S \* 11/2017 Rivera, Jr. .... D6/337

\* cited by examiner

*Primary Examiner* — Deanna L Pratt

(74) *Attorney, Agent, or Firm* — Jeffrey F. Riddle

(57) **CLAIM**

The ornamental design for a table with integrated chairs, as shown and described.

**DESCRIPTION**

FIG. 1 is a top plan view of the table with integrated chairs showing our new design;

FIG. 2 is a front elevation view of the table with integrated chairs in FIG. 1;

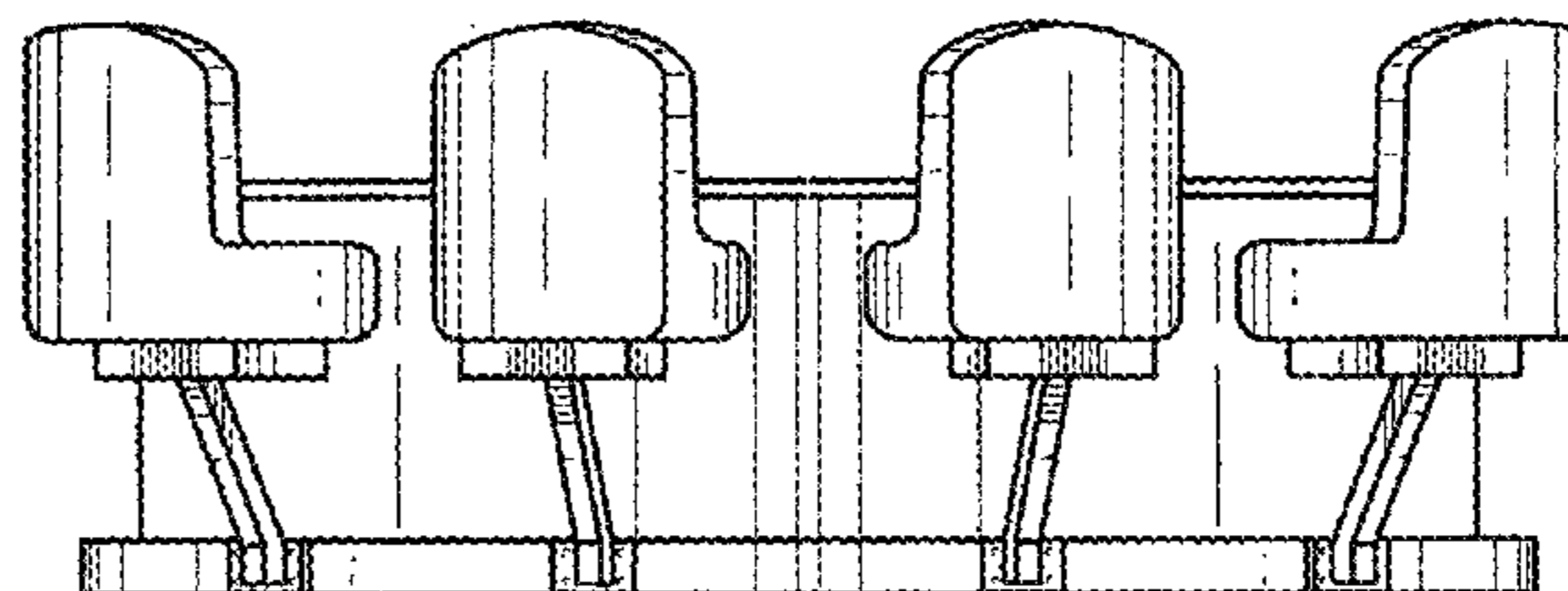
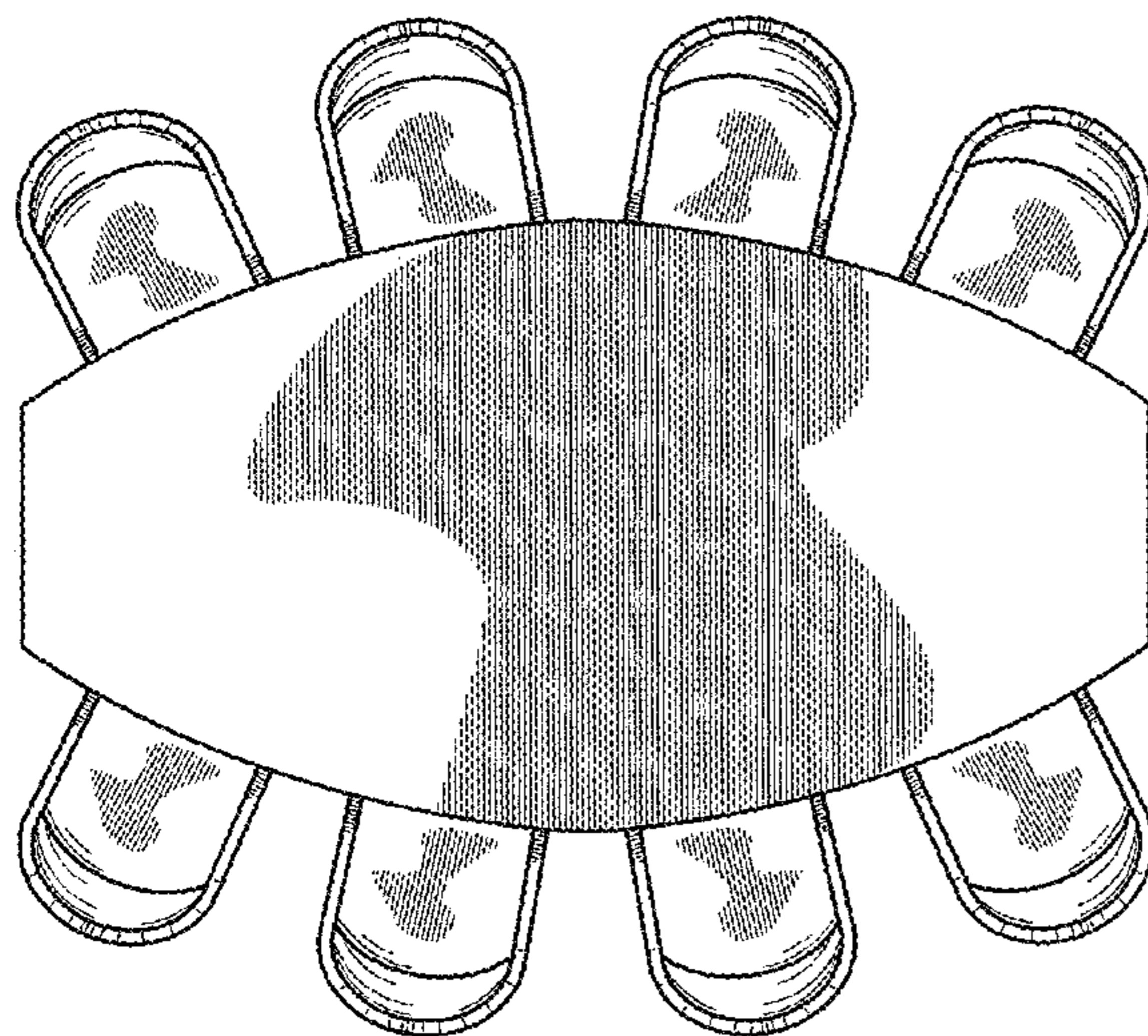
FIG. 3 is a rear elevation view of the table with integrated chairs in FIG. 1;

FIG. 4 is a right elevation view of the table with integrated chairs in FIG. 1;

FIG. 5 is a left elevation view of the table with integrated chairs in FIG. 1; and,

FIG. 6 is a bottom plan view of the table with integrated chairs in FIG. 1.

**1 Claim, 3 Drawing Sheets**



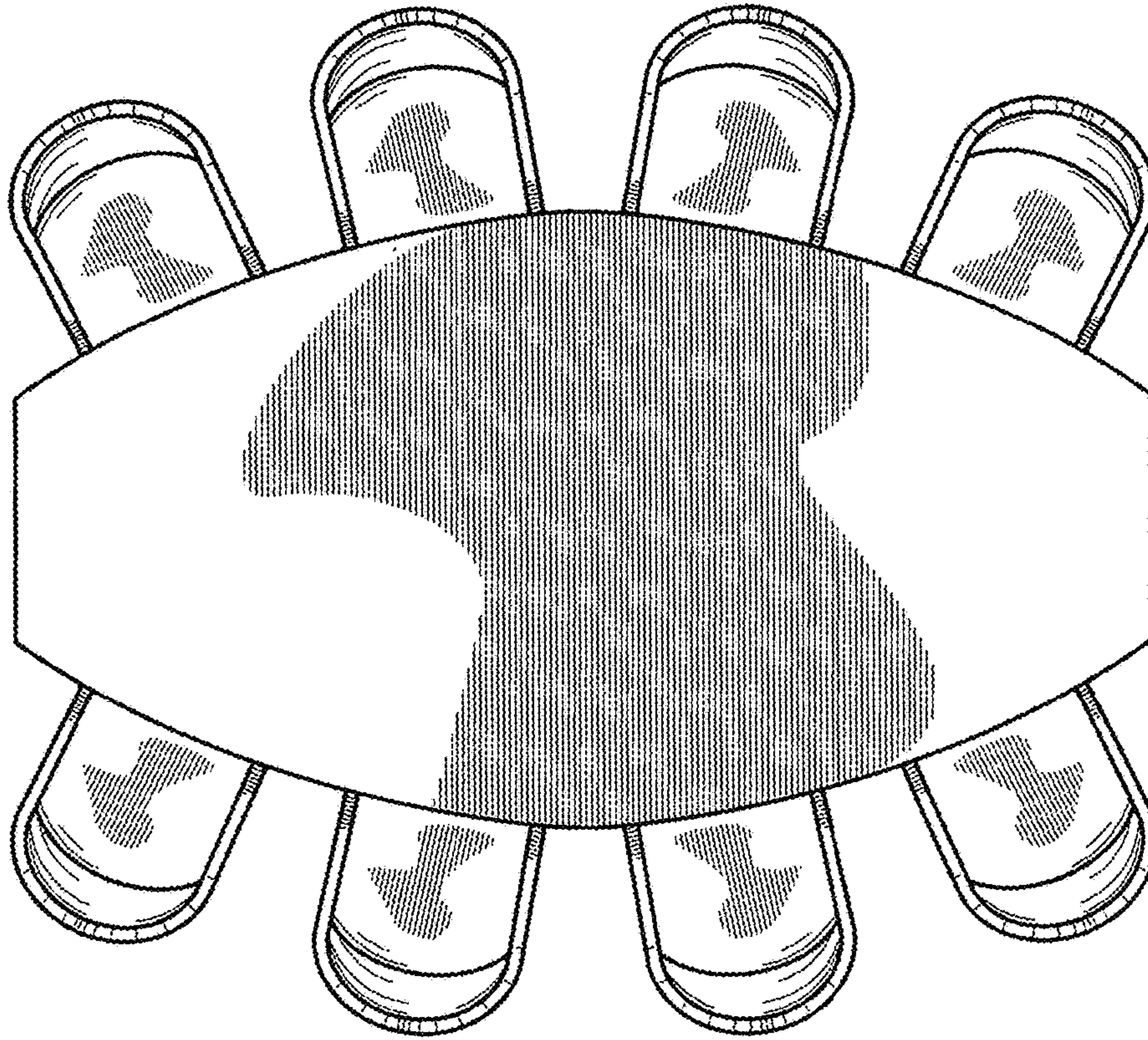


FIG. 1

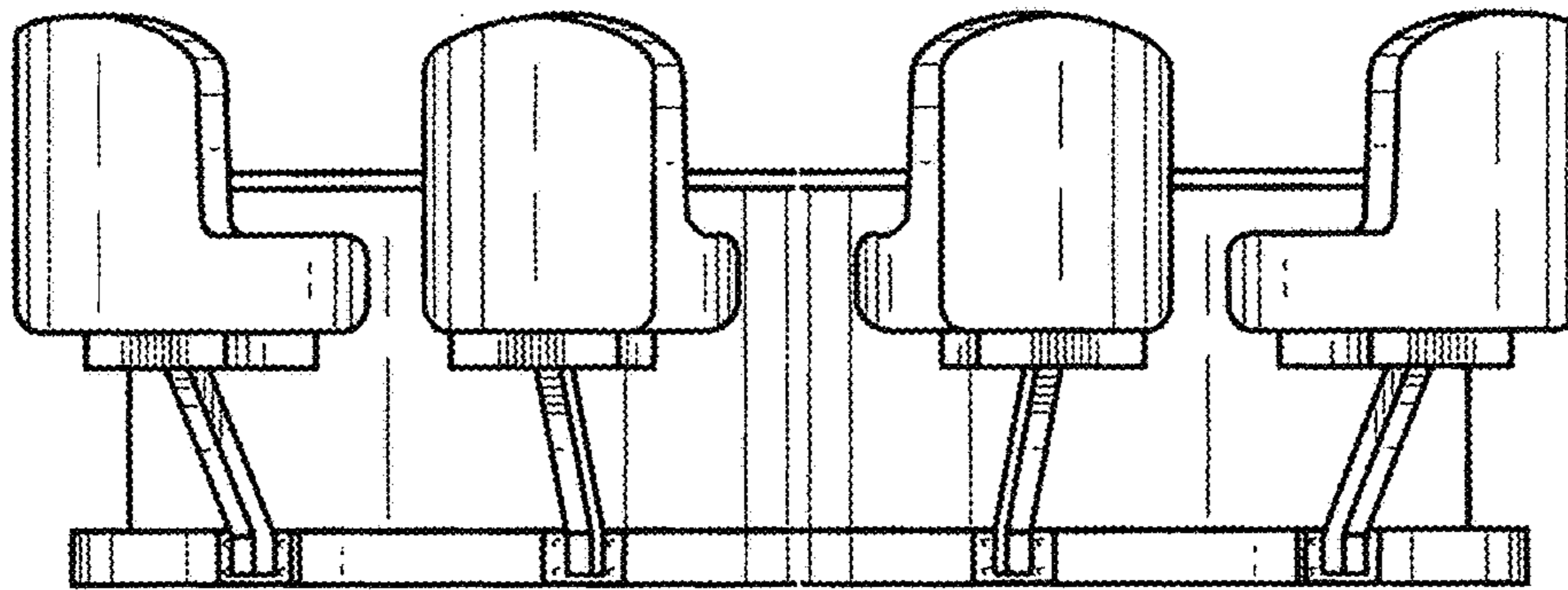


FIG. 2



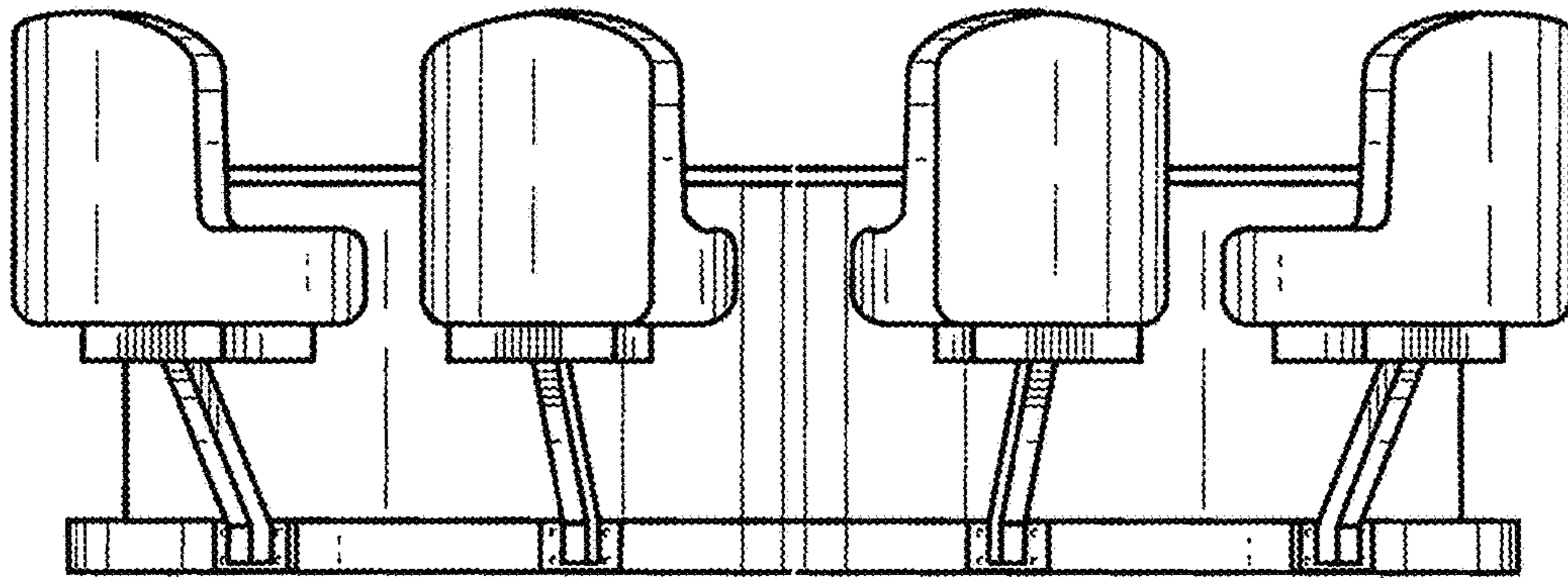


FIG. 3

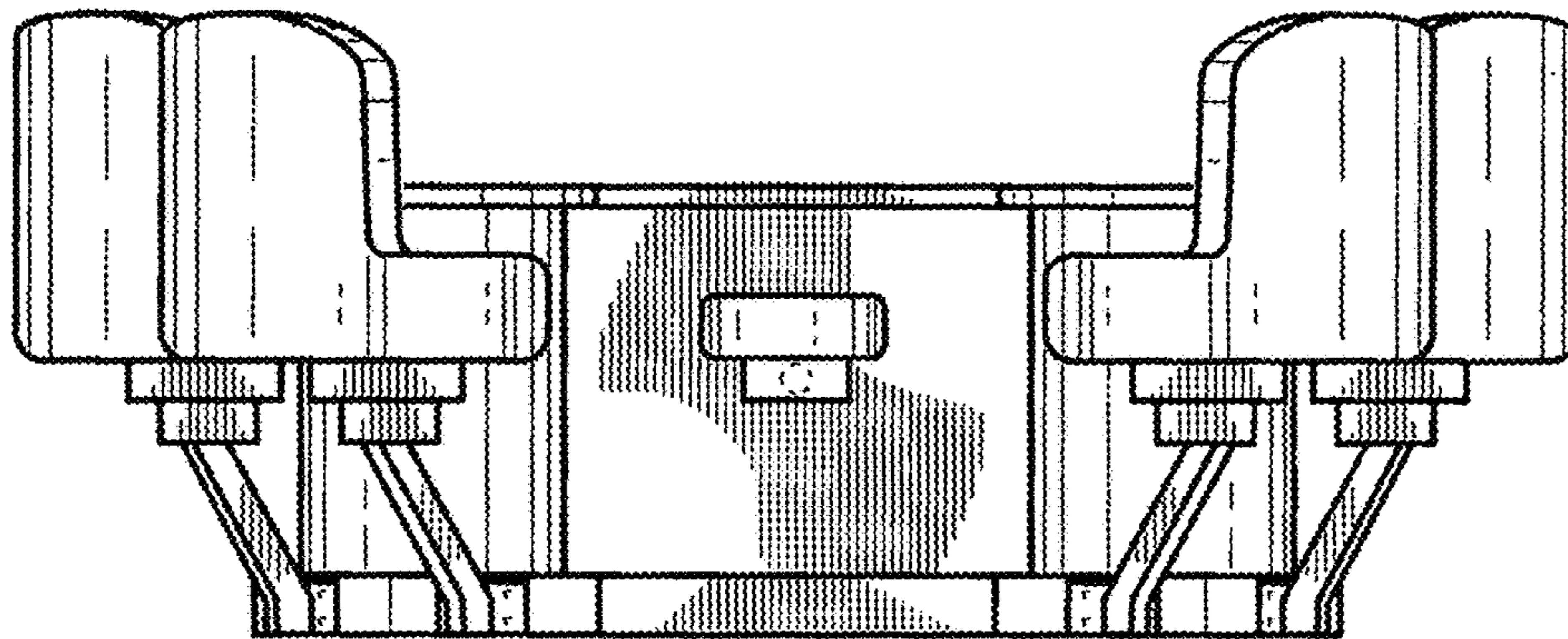


FIG. 4

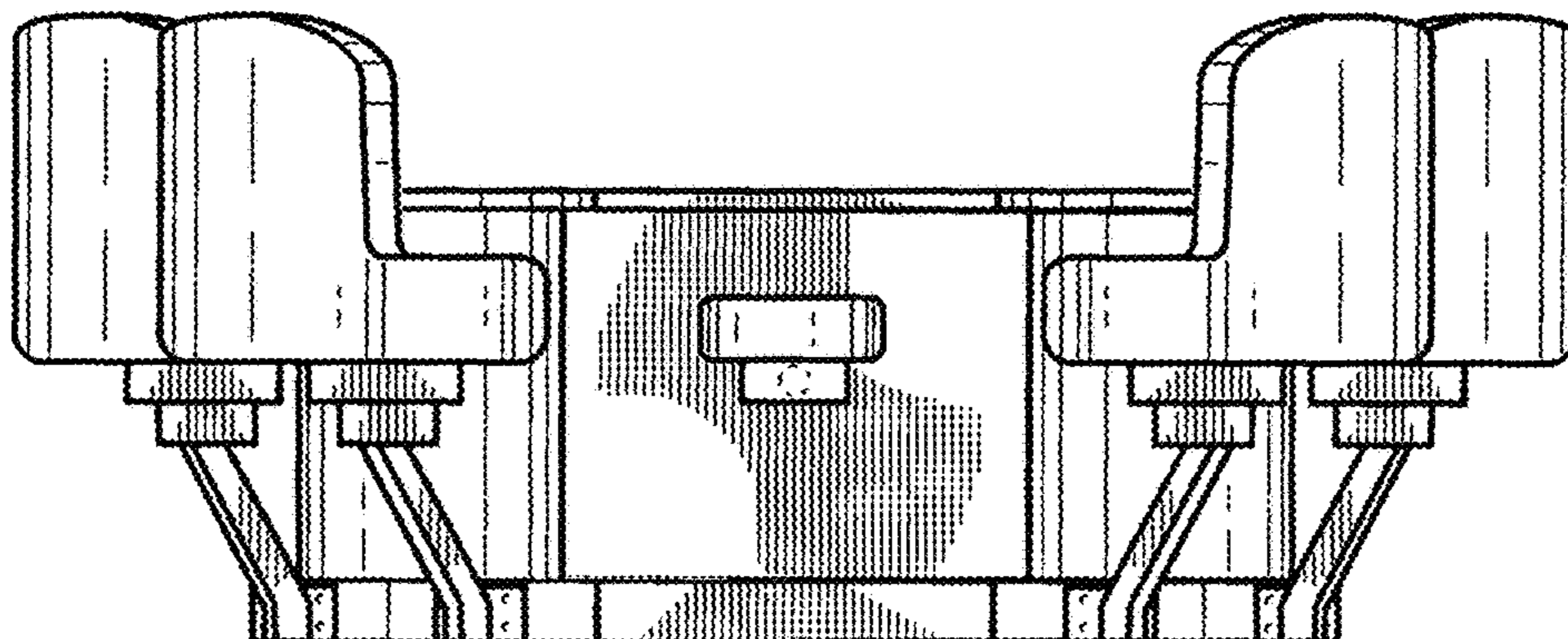


FIG. 5

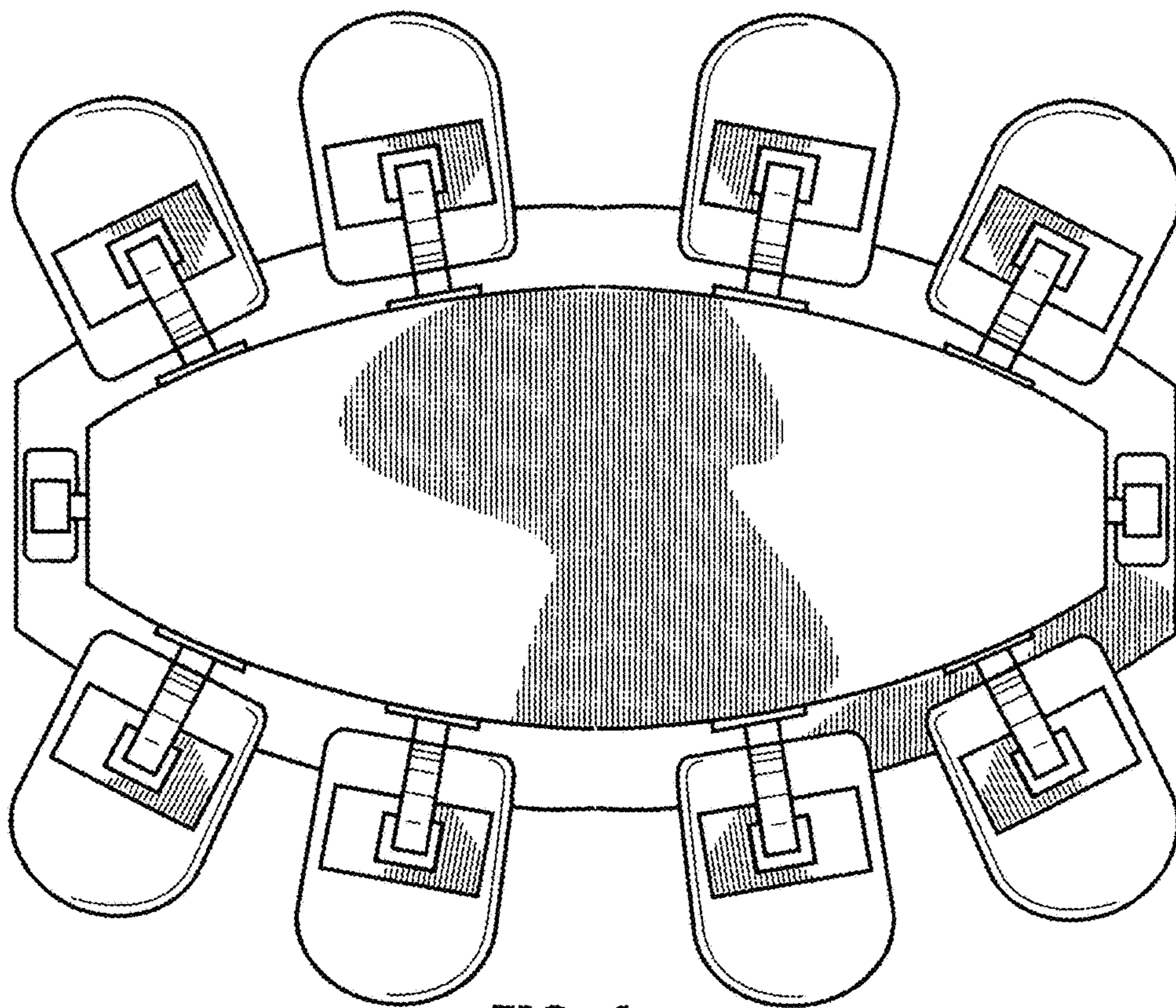


FIG. 6