



US00D825206S

(12) **United States Design Patent**  
**Liu**

(10) **Patent No.:** **US D825,206 S**

(45) **Date of Patent:** **\*\* Aug. 14, 2018**

(54) **SMART MIRROR**

(71) Applicant: **CAL-COMP BIG DATA, INC.**, New Taipei (TW)

(72) Inventor: **Chia-Chen Liu**, New Taipei (TW)

(73) Assignee: **CAL-COMP BIG DATA, INC.**, New Taipei (TW)

(\*\*) Term: **15 Years**

(21) Appl. No.: **29/613,148**

(22) Filed: **Aug. 8, 2017**

(51) **LOC (11) Cl.** ..... **06-07**

(52) **U.S. Cl.**  
USPC ..... **D6/310**

(58) **Field of Classification Search**  
USPC ..... D6/300–314  
CPC ... A47G 1/00; A47G 1/02; A47G 1/06; A47G 1/0616; A47G 1/14; A47G 1/141; A45D 42/00; A45D 42/08; A45D 42/14; A45D 42/16; A45D 42/10

See application file for complete search history.

(56) **References Cited**

**U.S. PATENT DOCUMENTS**

D212,346 S \* 10/1968 Shea ..... D6/309  
D262,026 S \* 11/1981 Garan ..... D14/240  
D329,949 S \* 10/1992 White ..... D6/300  
D345,655 S \* 4/1994 Freebairn ..... D6/308

D589,267 S \* 3/2009 Pitot ..... D6/308  
D639,077 S \* 6/2011 DeBretton Gordon ..... D6/310  
D661,910 S \* 6/2012 Yang ..... D6/312  
D727,995 S \* 4/2015 Vilcovsky ..... D16/221  
D776,944 S \* 1/2017 Tang ..... D14/138 C  
2016/0142609 A1\* 5/2016 Rolston ..... A46B 7/04 348/223.1

\* cited by examiner

*Primary Examiner* — Deanna L Pratt

(74) *Attorney, Agent, or Firm* — Chun-Ming Shih; HDLS IPR Services

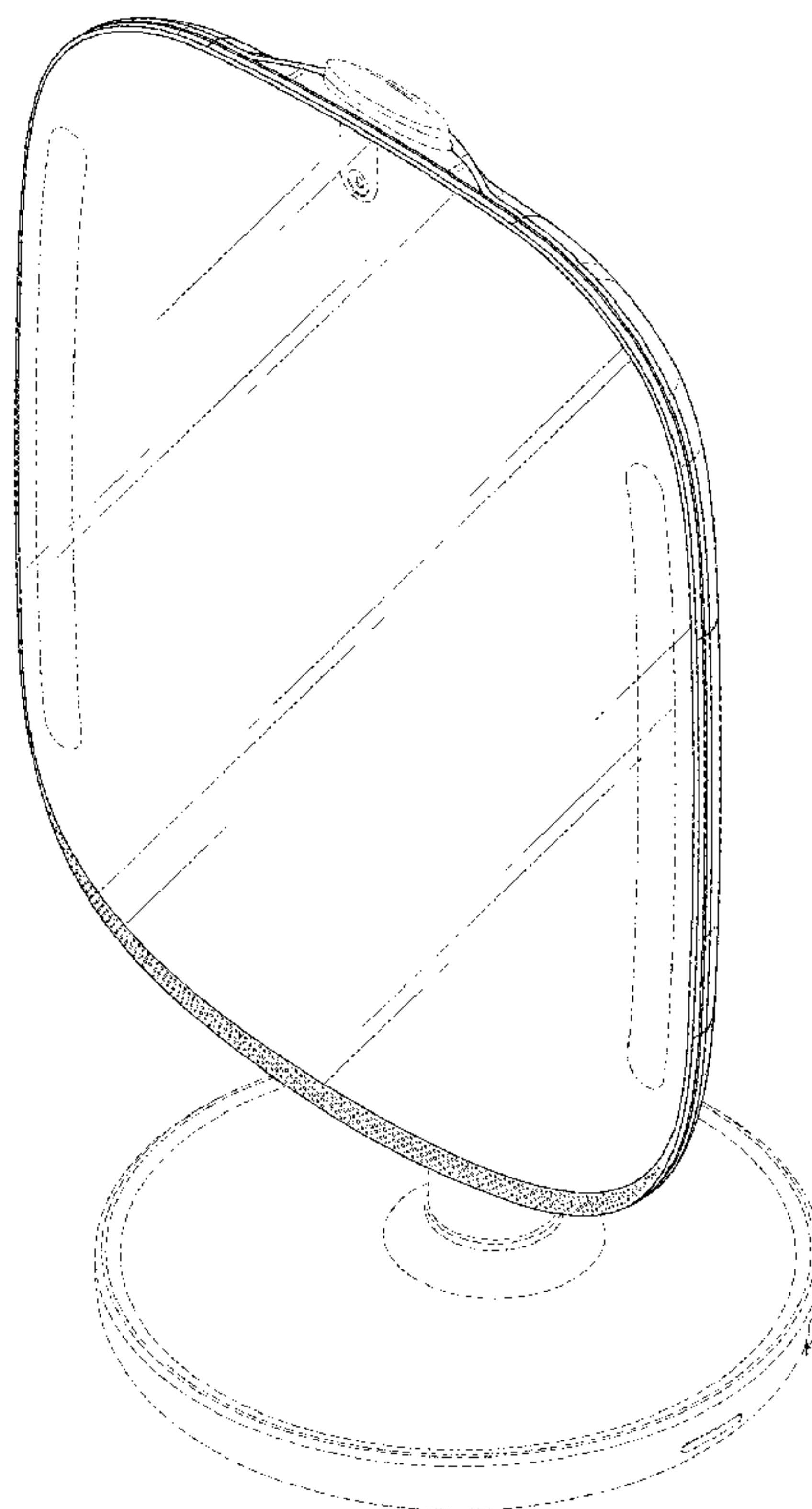
(57) **CLAIM**

The ornamental design for a smart mirror, as shown and described.

**DESCRIPTION**

FIG. 1 is a perspective view of a smart mirror showing my new design;  
FIG. 2 is a front view thereof;  
FIG. 3 is a rear view thereof;  
FIG. 4 is a left side view thereof;  
FIG. 5 is a right side view thereof;  
FIG. 6 is a top view thereof;  
FIG. 7 is a bottom view thereof; and,  
FIG. 8 is second perspective view showing the smart mirror. The broken lines shown represent unclaimed subject matter and form no part of the claimed design.

**1 Claim, 8 Drawing Sheets**



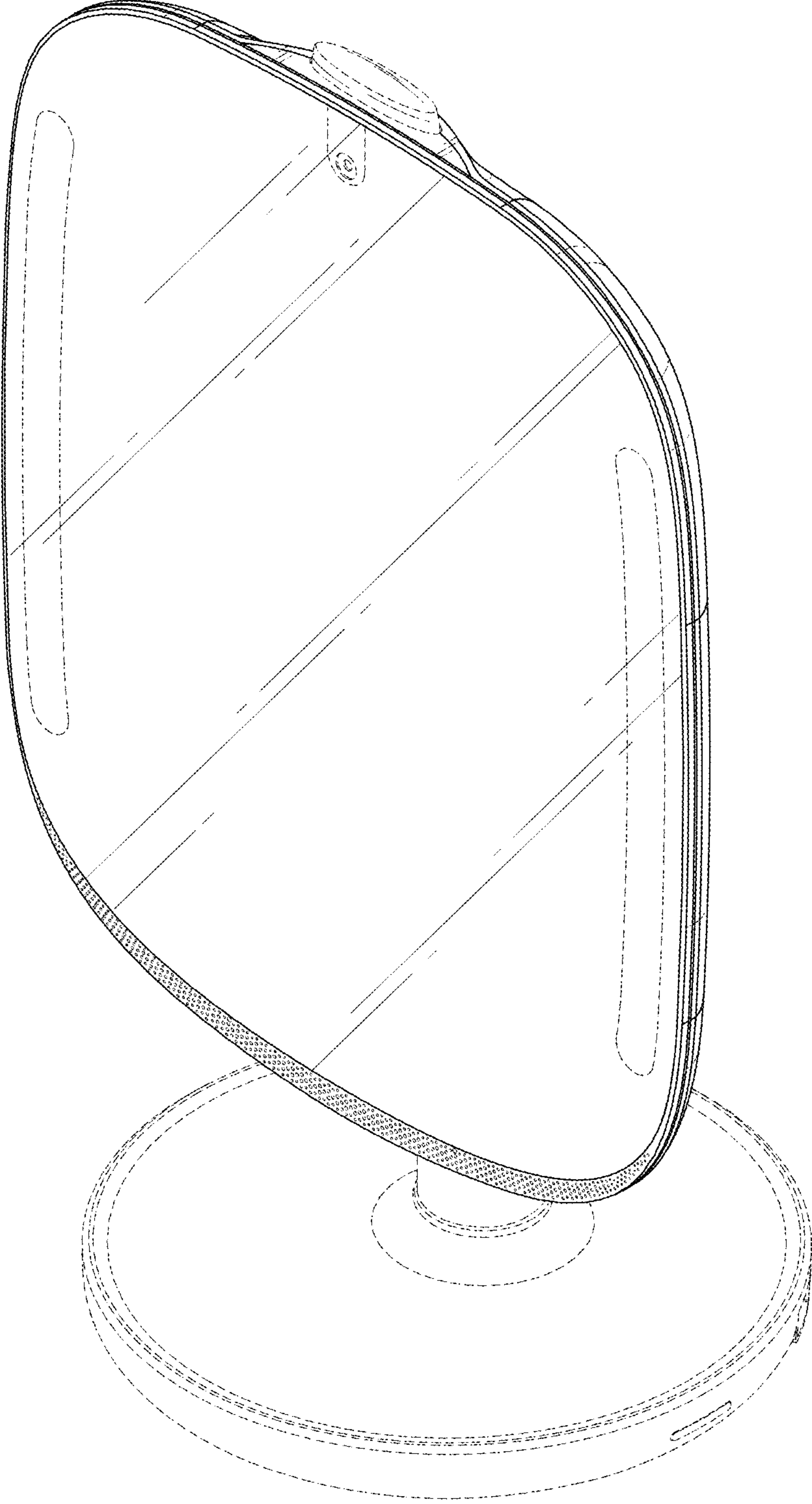


FIG.1



FIG.2

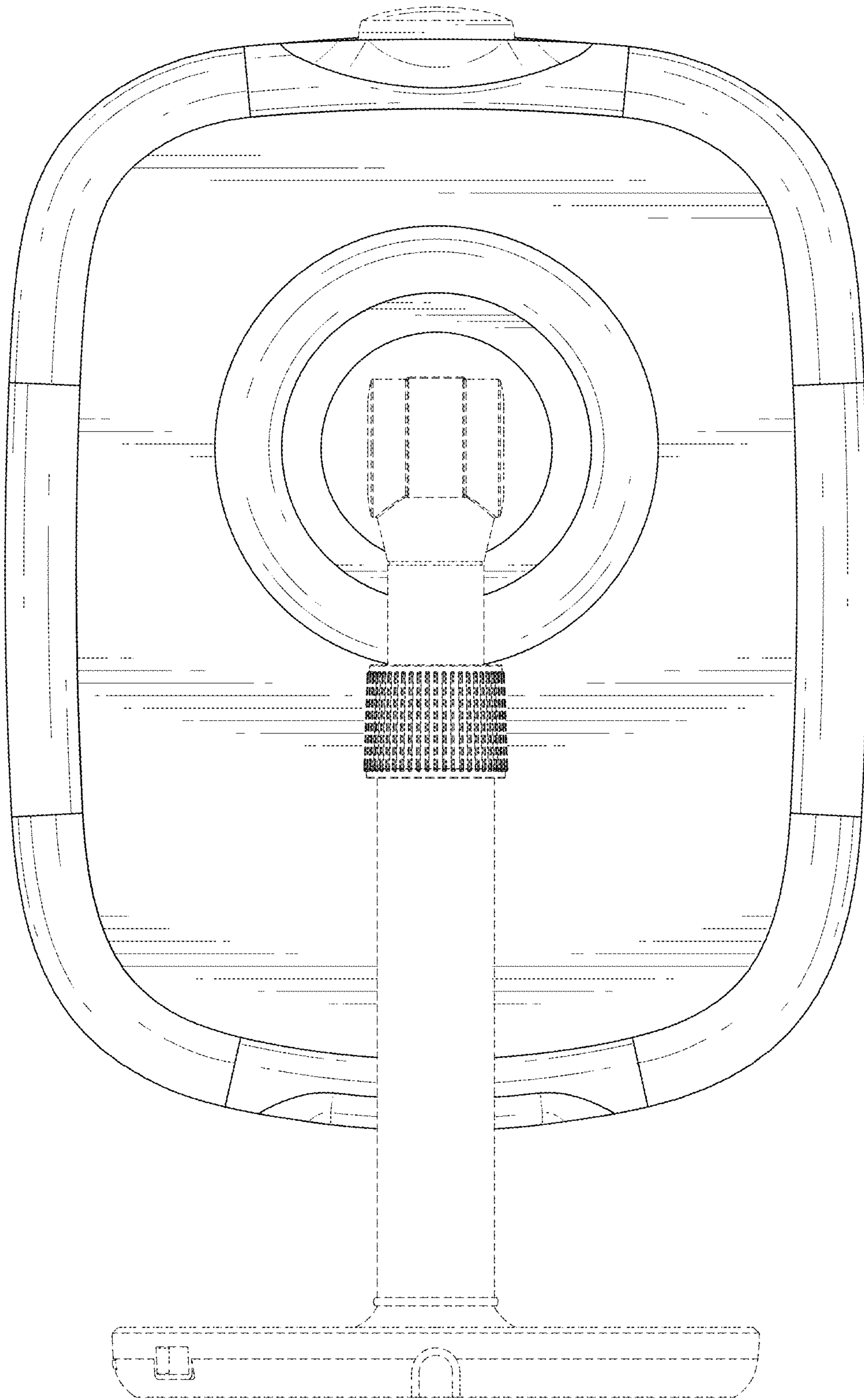


FIG.3



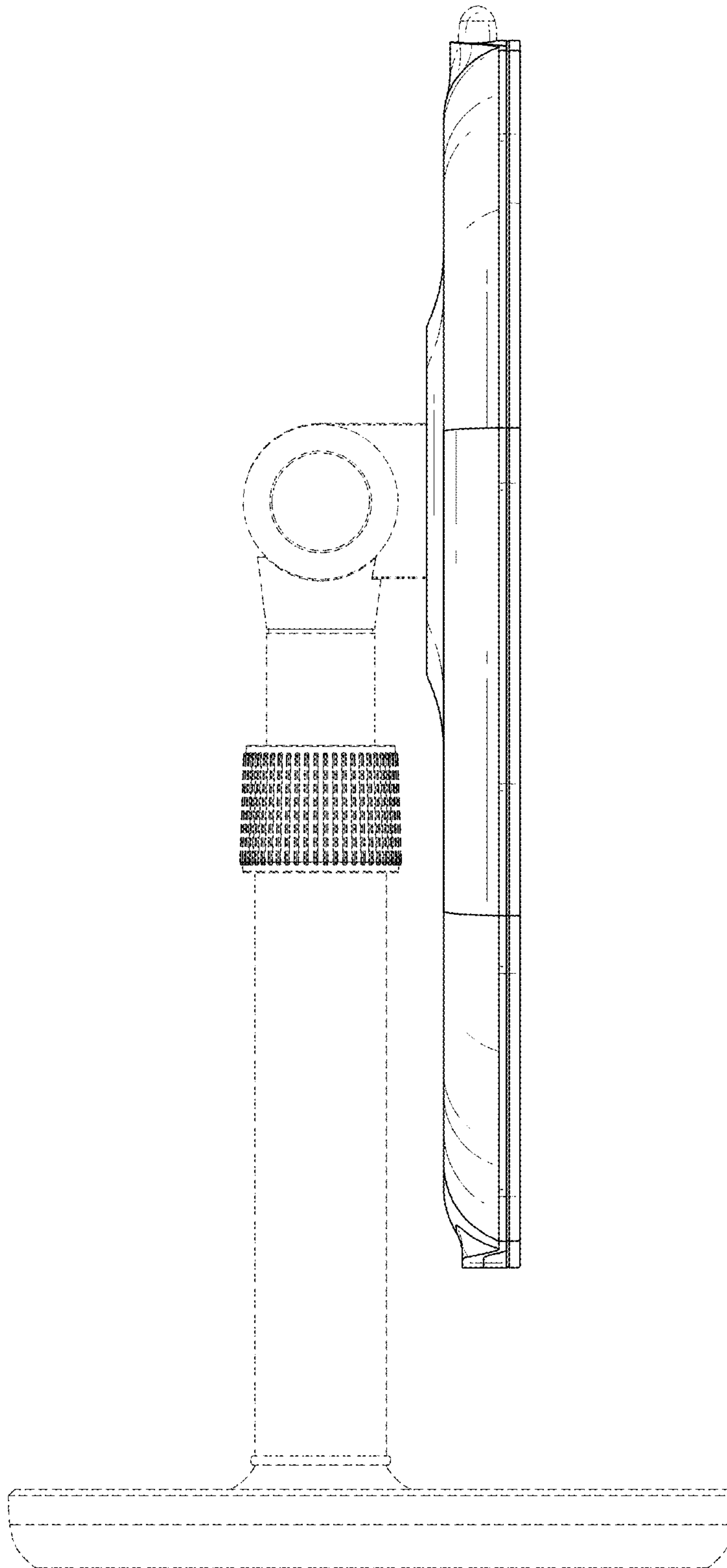


FIG.4

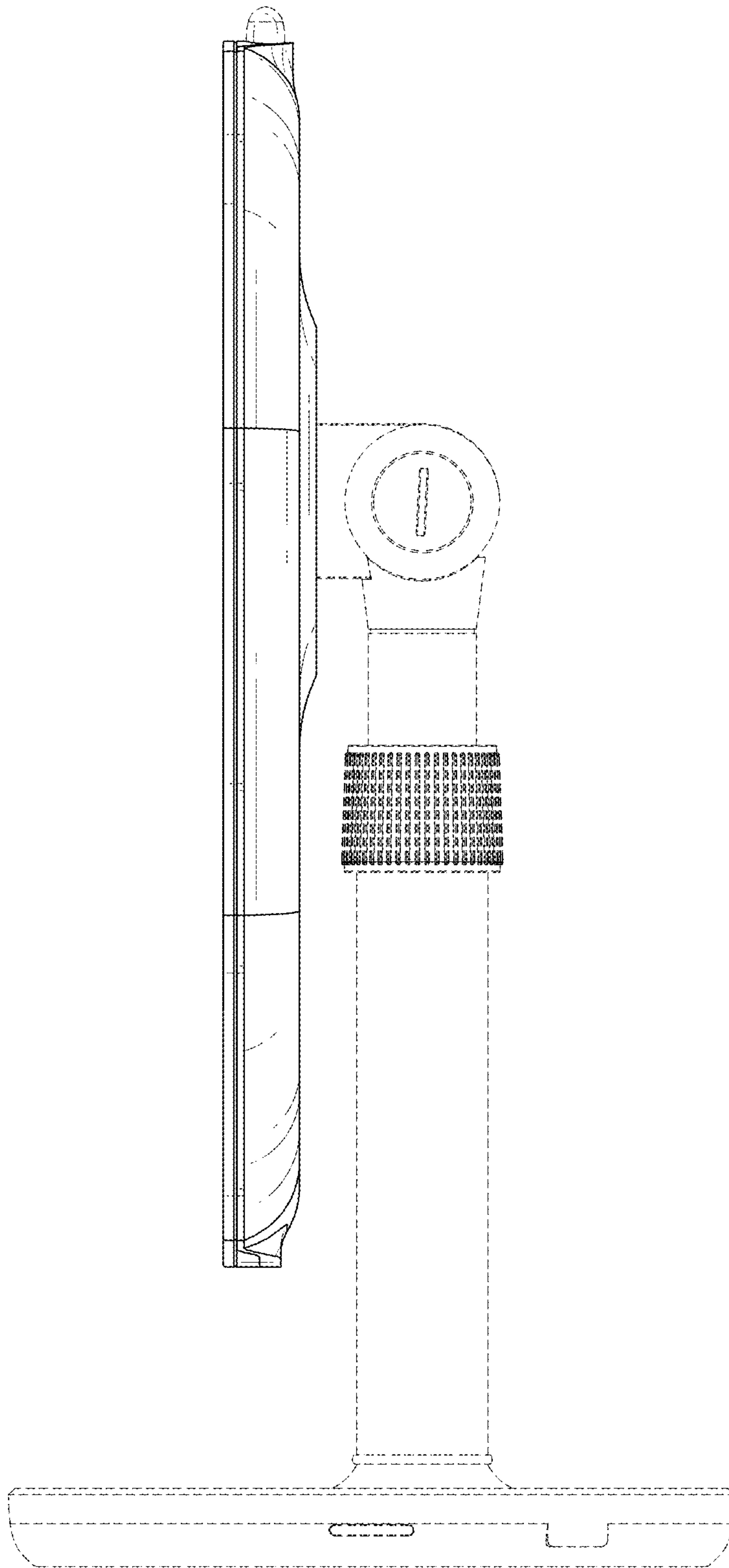


FIG.5

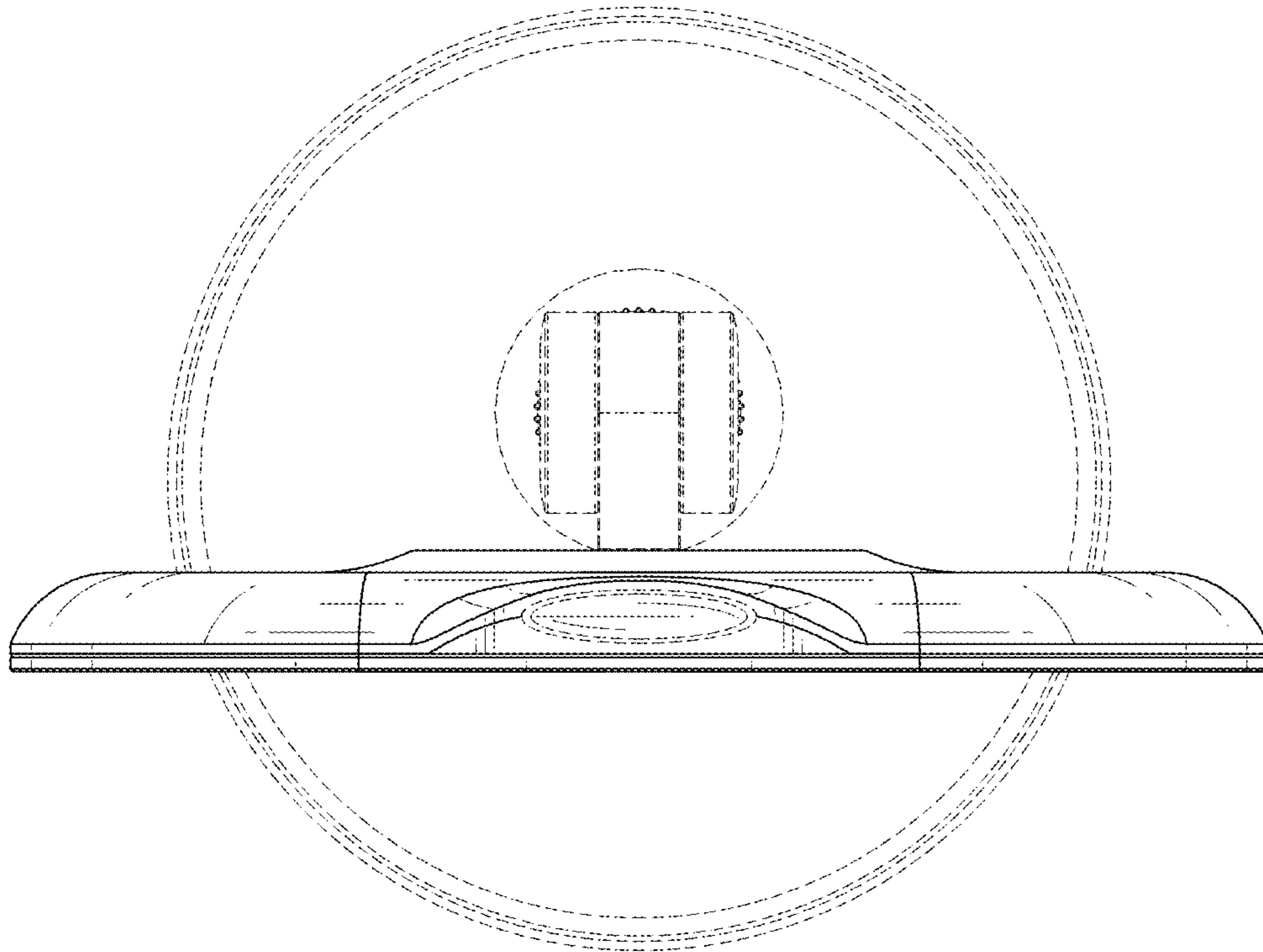


FIG.6

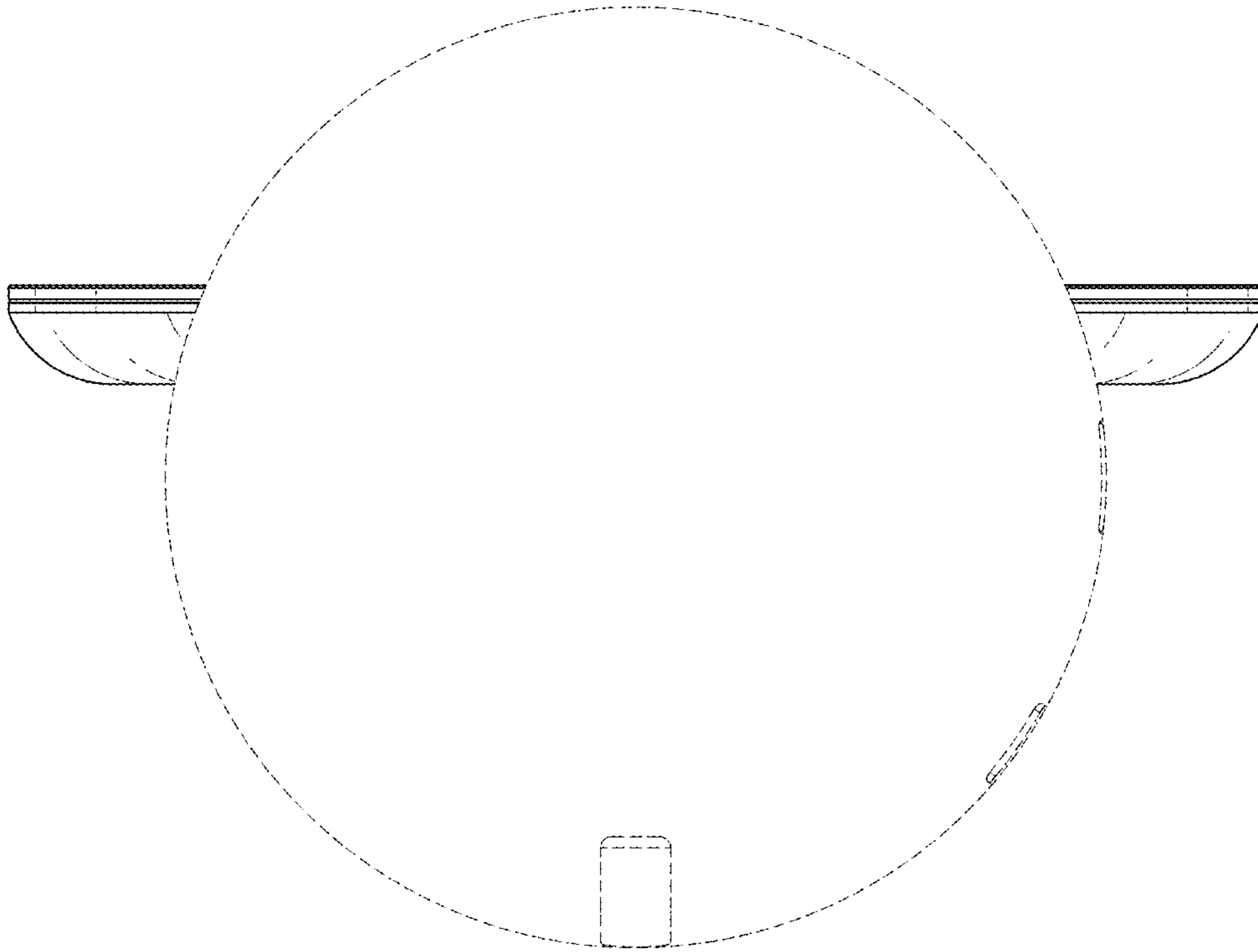


FIG.7



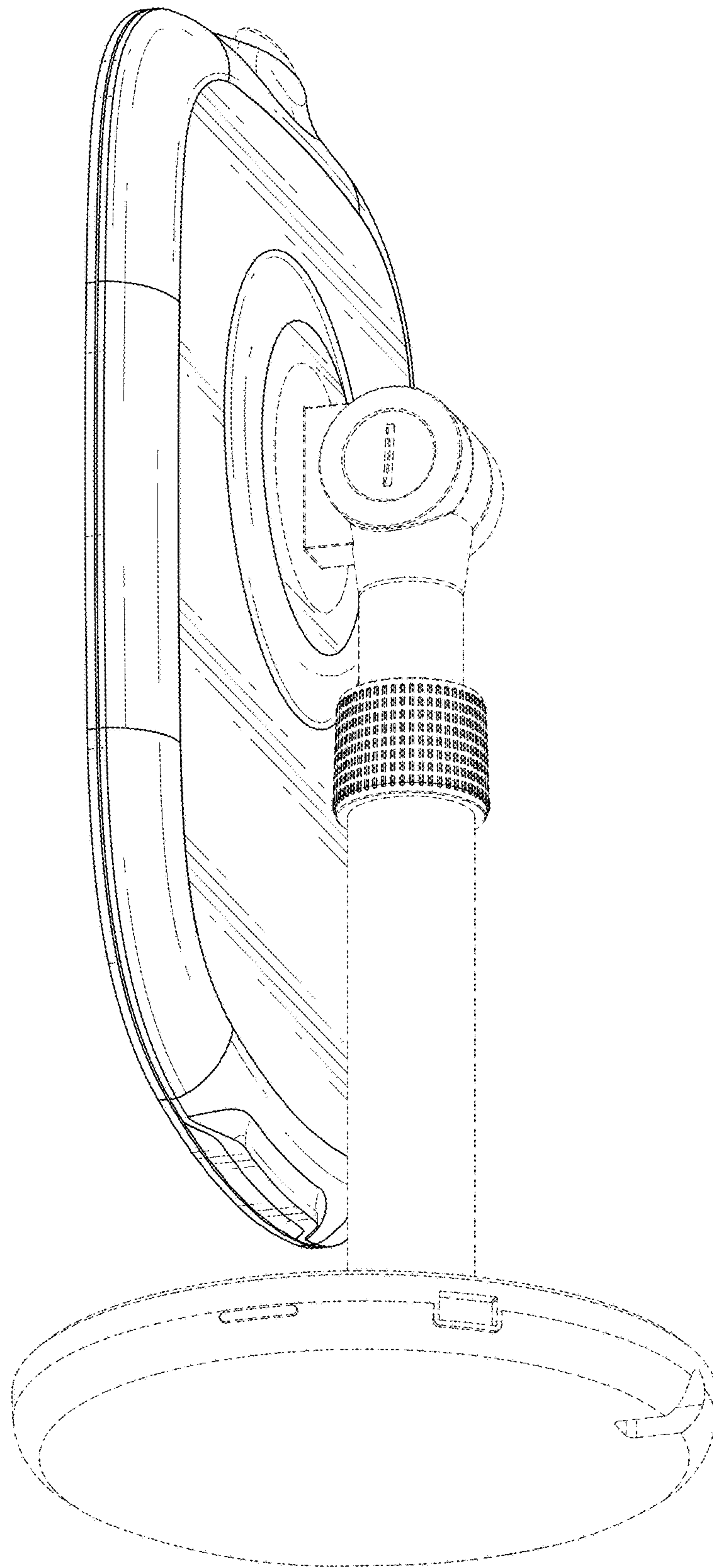


FIG.8