



US00D825205S

(12) **United States Design Patent** (10) **Patent No.:** **US D825,205 S**  
**Liu** (45) **Date of Patent:** **\*\* Aug. 14, 2018**

- (54) **MIRROR**  
(71) Applicant: **Shaojia Liu**, Shenzhen (CN)  
(72) Inventor: **Shaojia Liu**, Shenzhen (CN)  
(\*\*) Term: **15 Years**  
(21) Appl. No.: **29/608,795**  
(22) Filed: **Jun. 26, 2017**  
(51) **LOC (11) Cl.** ..... **06-07**  
(52) **U.S. Cl.**  
USPC ..... **D6/310**  
(58) **Field of Classification Search**  
USPC ..... D6/300–314  
CPC ..... A47G 1/00; A47G 1/04; G02B 5/08  
See application file for complete search history.

(56) **References Cited**

U.S. PATENT DOCUMENTS

D235,689 S *	7/1975	Benty	.....	D6/308
D267,174 S *	12/1982	Fox	.....	281/45
D292,652 S *	11/1987	Muller	.....	D6/308
D298,087 S *	10/1988	Arce	.....	D6/300
D330,807 S *	11/1992	Granzow	.....	D6/301
D355,531 S *	2/1995	Lynch, Sr.	.....	D6/301
D392,468 S *	3/1998	O'Reilly	.....	D6/300
D543,707 S *	6/2007	Chan	.....	D6/312
7,347,573 B1 *	3/2008	Isler	.....	A45D 42/10 359/854

D572,024 S *	7/2008	Shapiro	.....	D6/301
D584,516 S *	1/2009	Otomo	.....	D6/310
D785,345 S *	5/2017	Yang	.....	D6/310
D807,649 S *	1/2018	Zadro	.....	D6/312
2014/0240964 A1 *	8/2014	Adachi	.....	A45D 42/04 362/141
2016/0255941 A1 *	9/2016	Yang	.....	A45D 42/10

\* cited by examiner

*Primary Examiner* — Deanna L Pratt

(74) *Attorney, Agent, or Firm* — Novoclaims Patent Services LLC; Mei Lin Wong

(57) **CLAIM**

The ornamental design of a mirror, as shown and described.

**DESCRIPTION**

FIG. 1 is a front perspective view of a mirror showing my new design.

FIG. 2 is a front view thereof.

FIG. 3 is a rear view thereof.

FIG. 4 is a left side view thereof.

FIG. 5 is a right side view thereof.

FIG. 6 is a top view thereof.

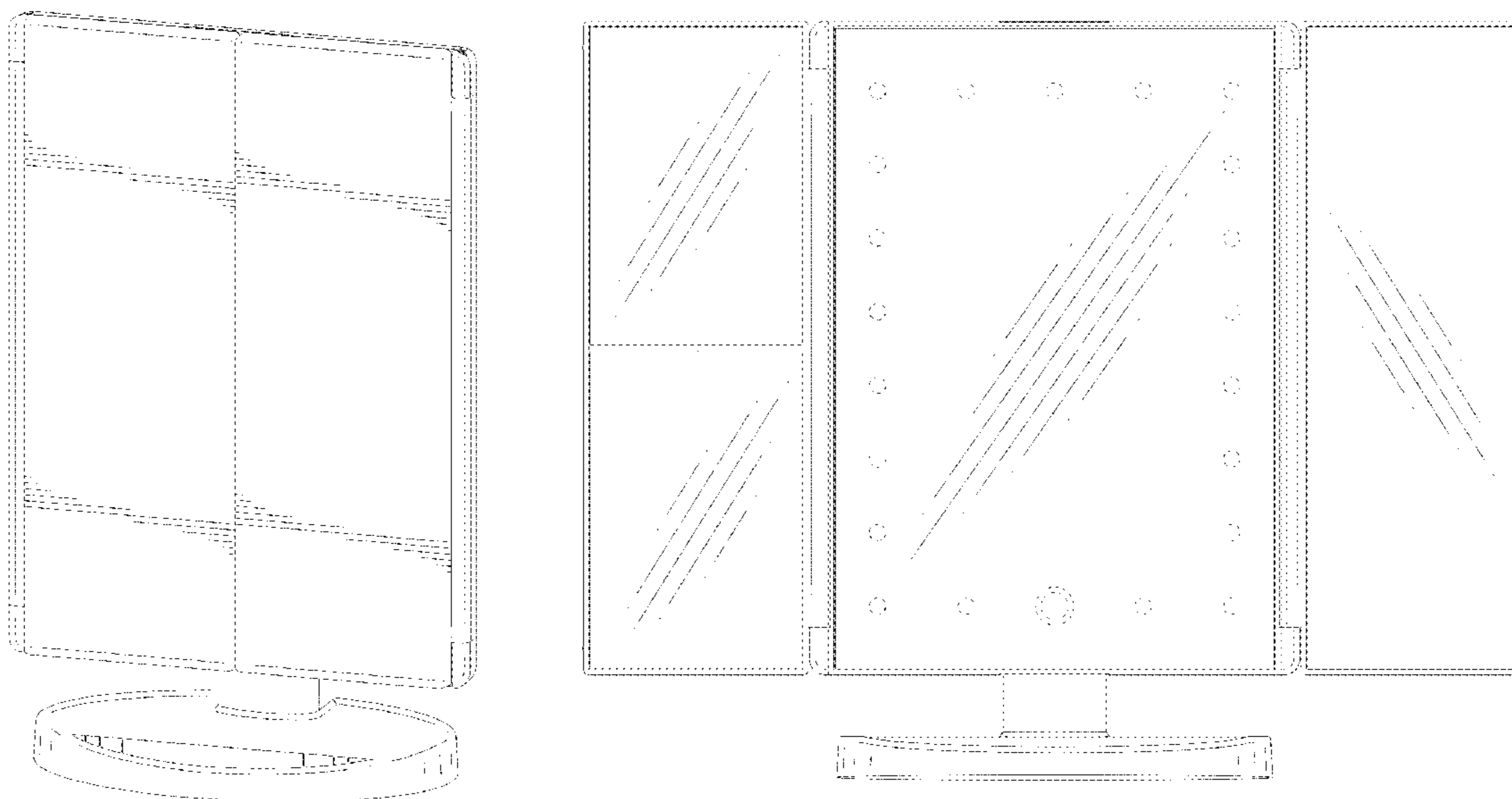
FIG. 7 is a bottom view thereof.

FIG. 8 is a rear perspective view thereof; and,

FIG. 9 is another front view thereof, showing an open position.

The broken lines in the drawings represent unclaimed subject matter and form no part of the claim.

**1 Claim, 9 Drawing Sheets**



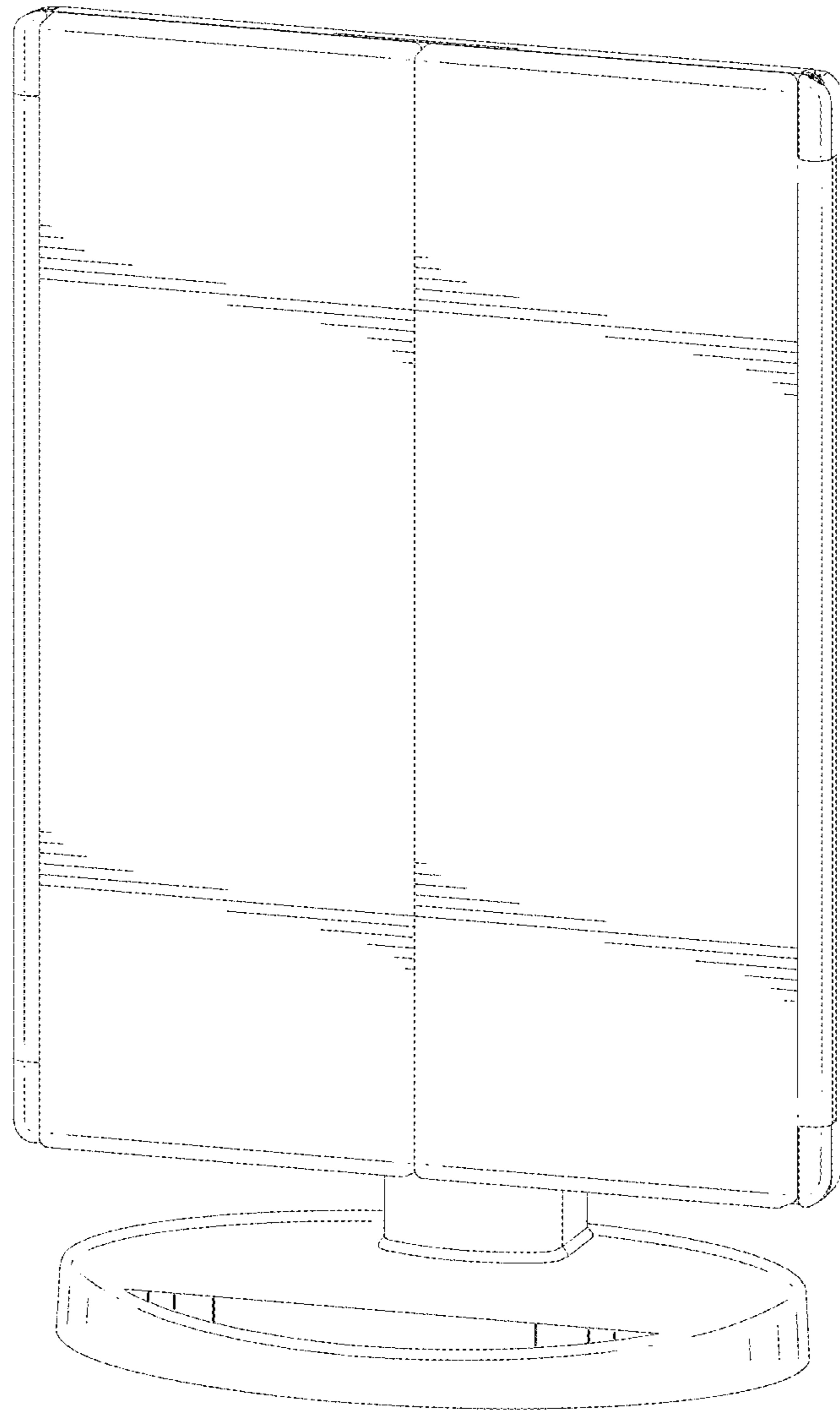


FIG.1

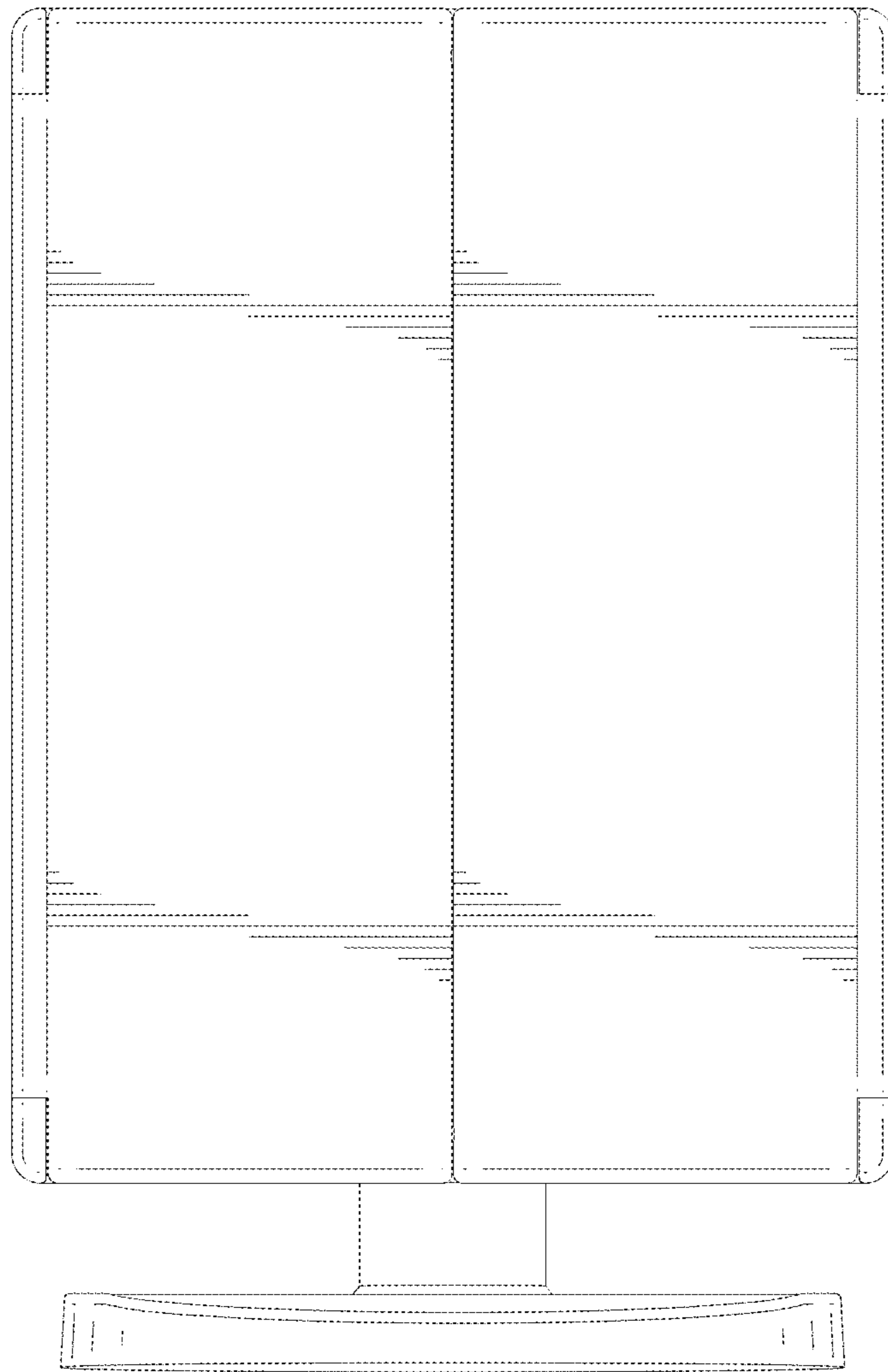


FIG.2

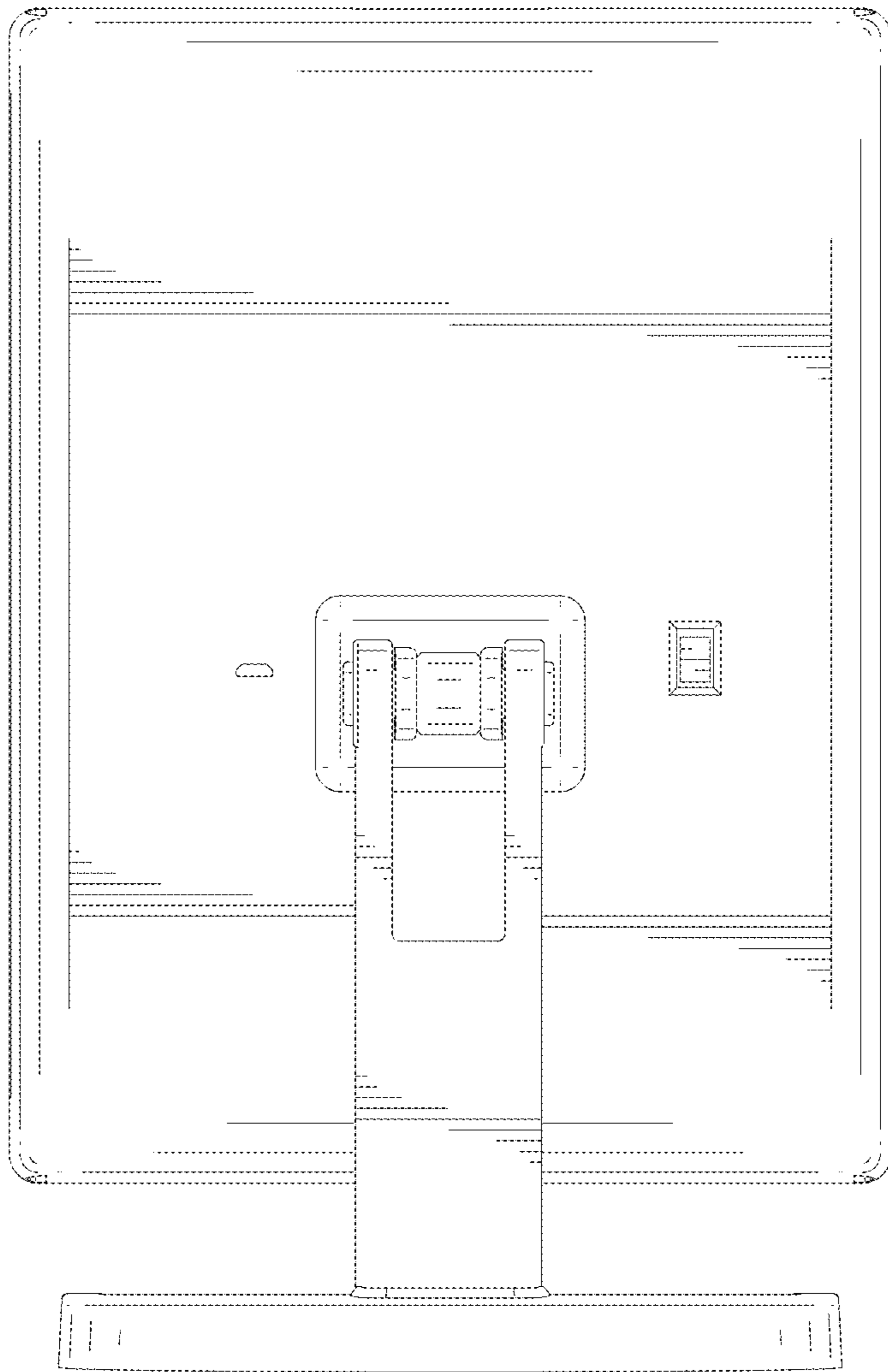


FIG.3

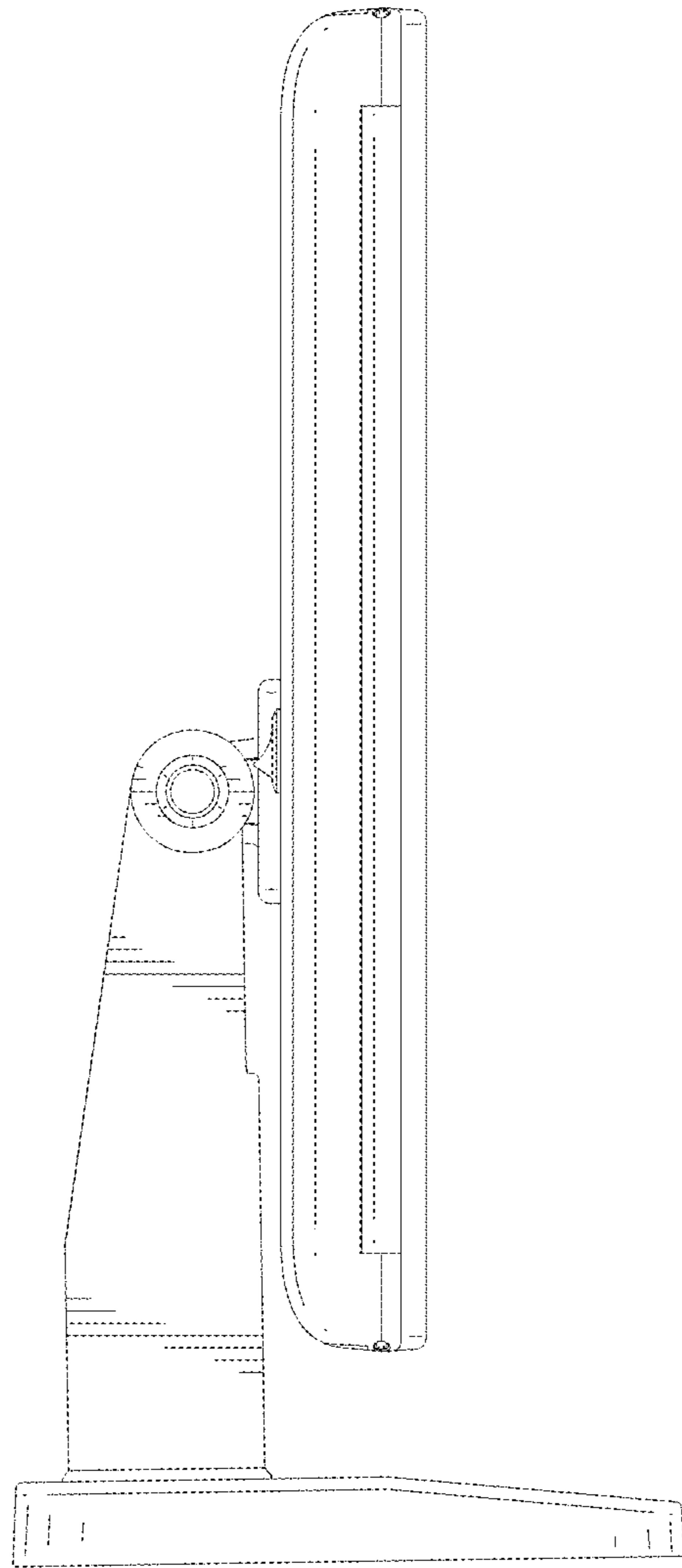


FIG.4

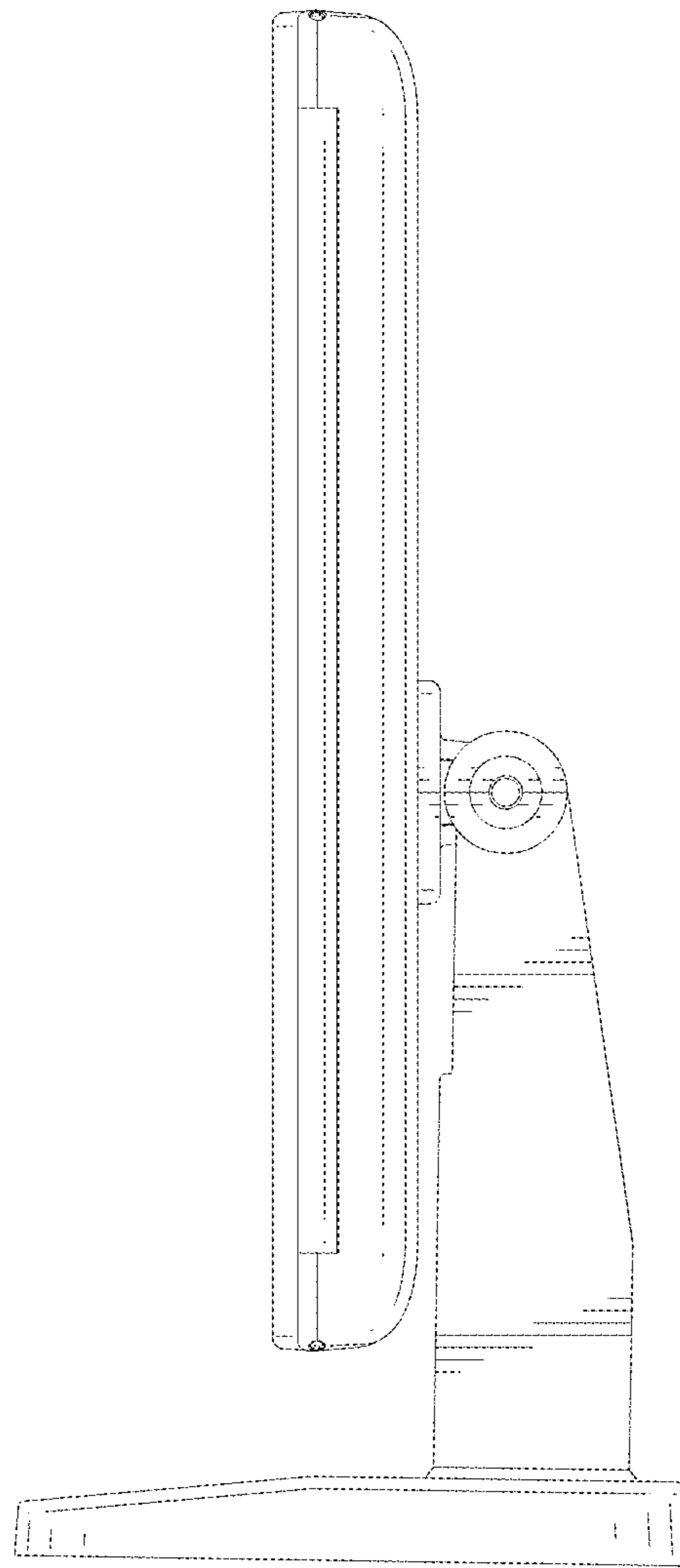


FIG.5

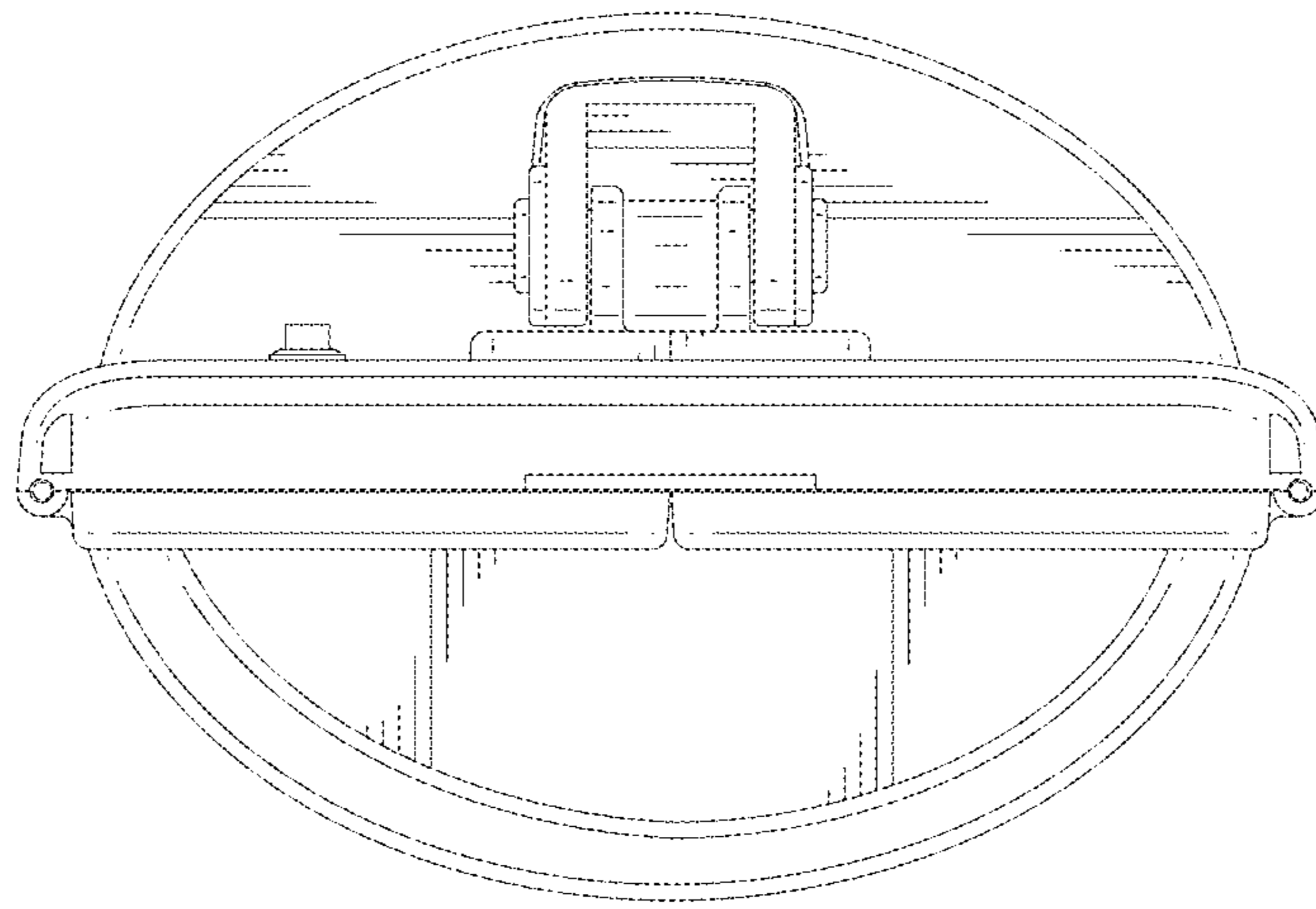


FIG.6

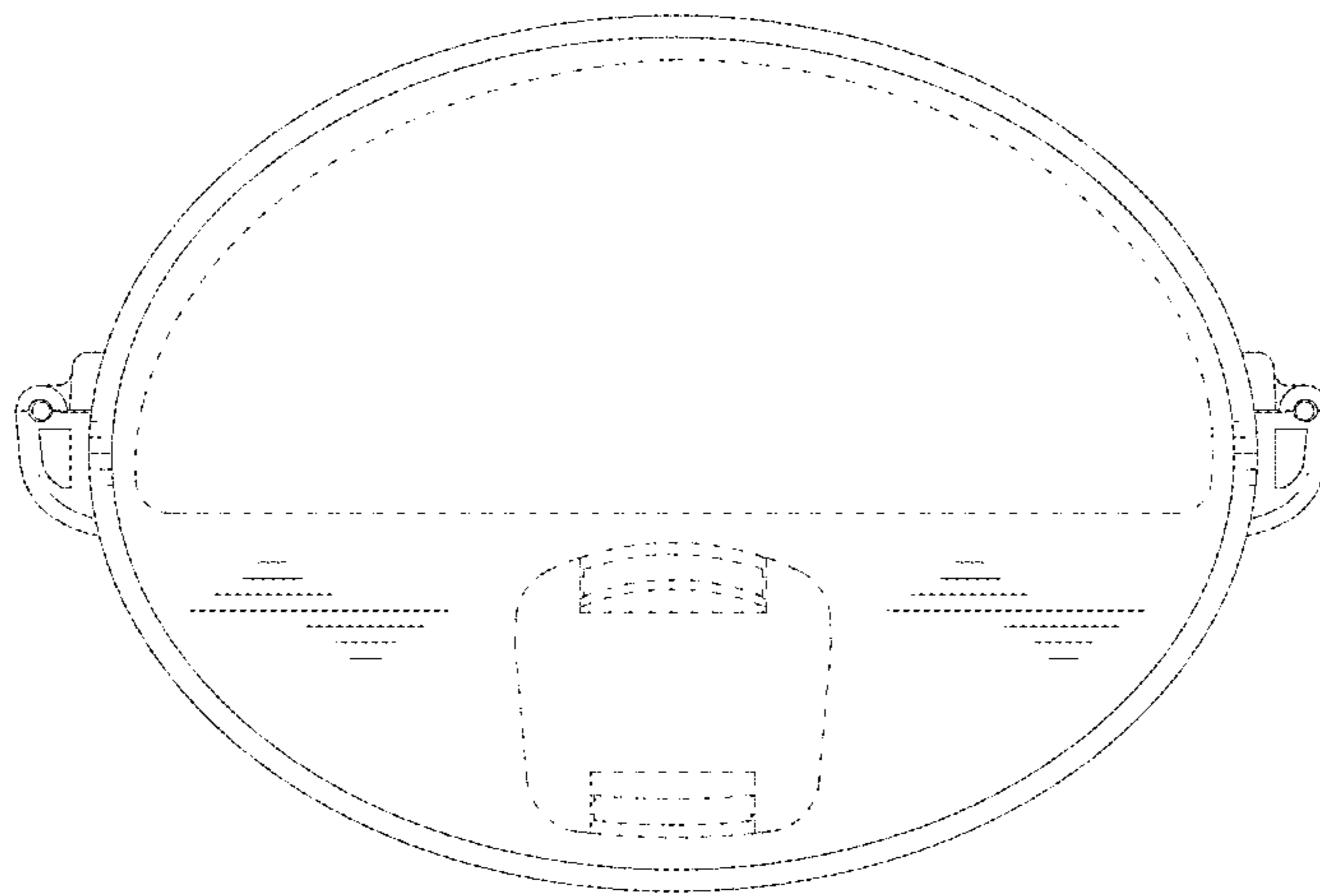


FIG.7



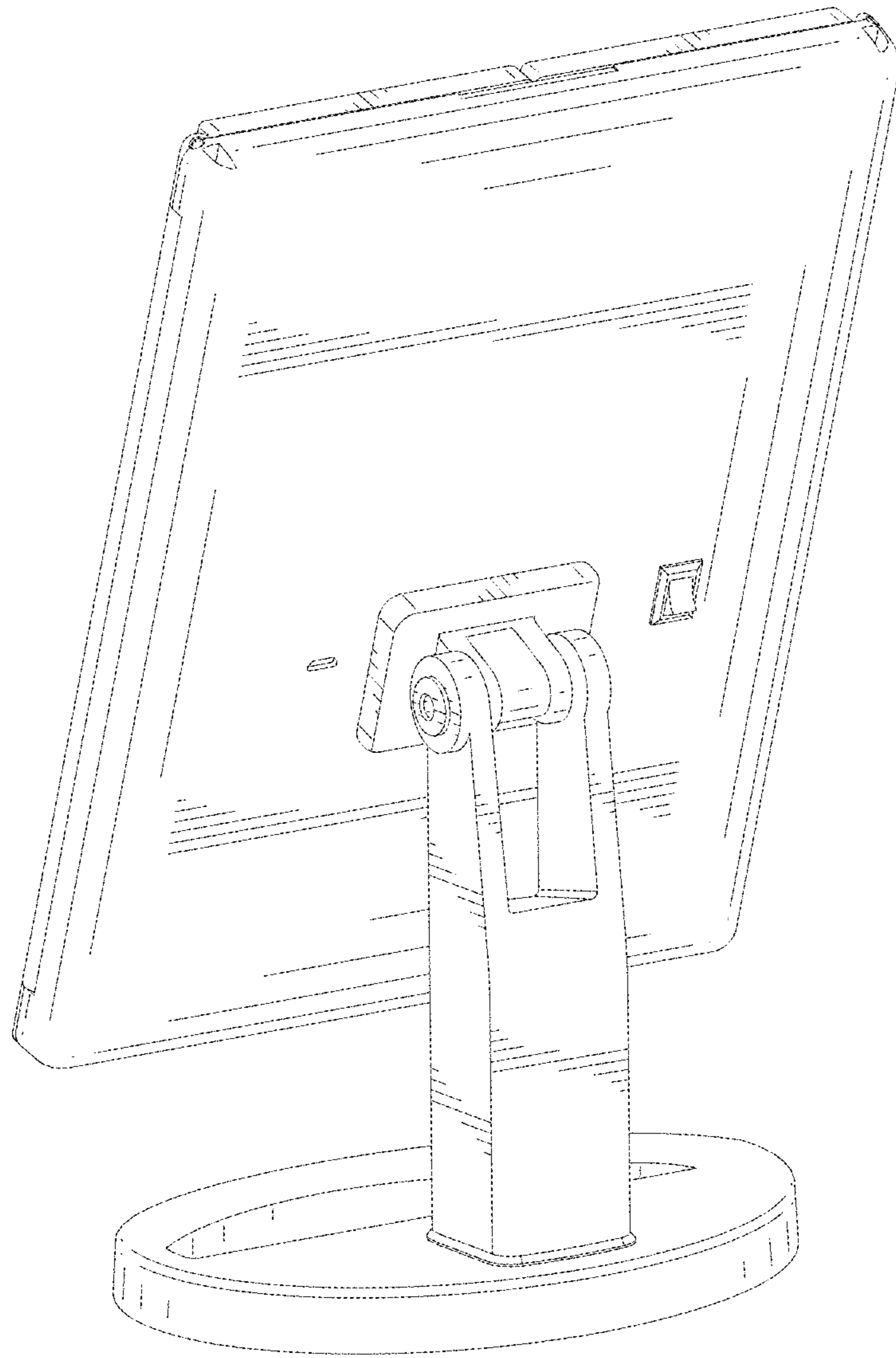


FIG.8

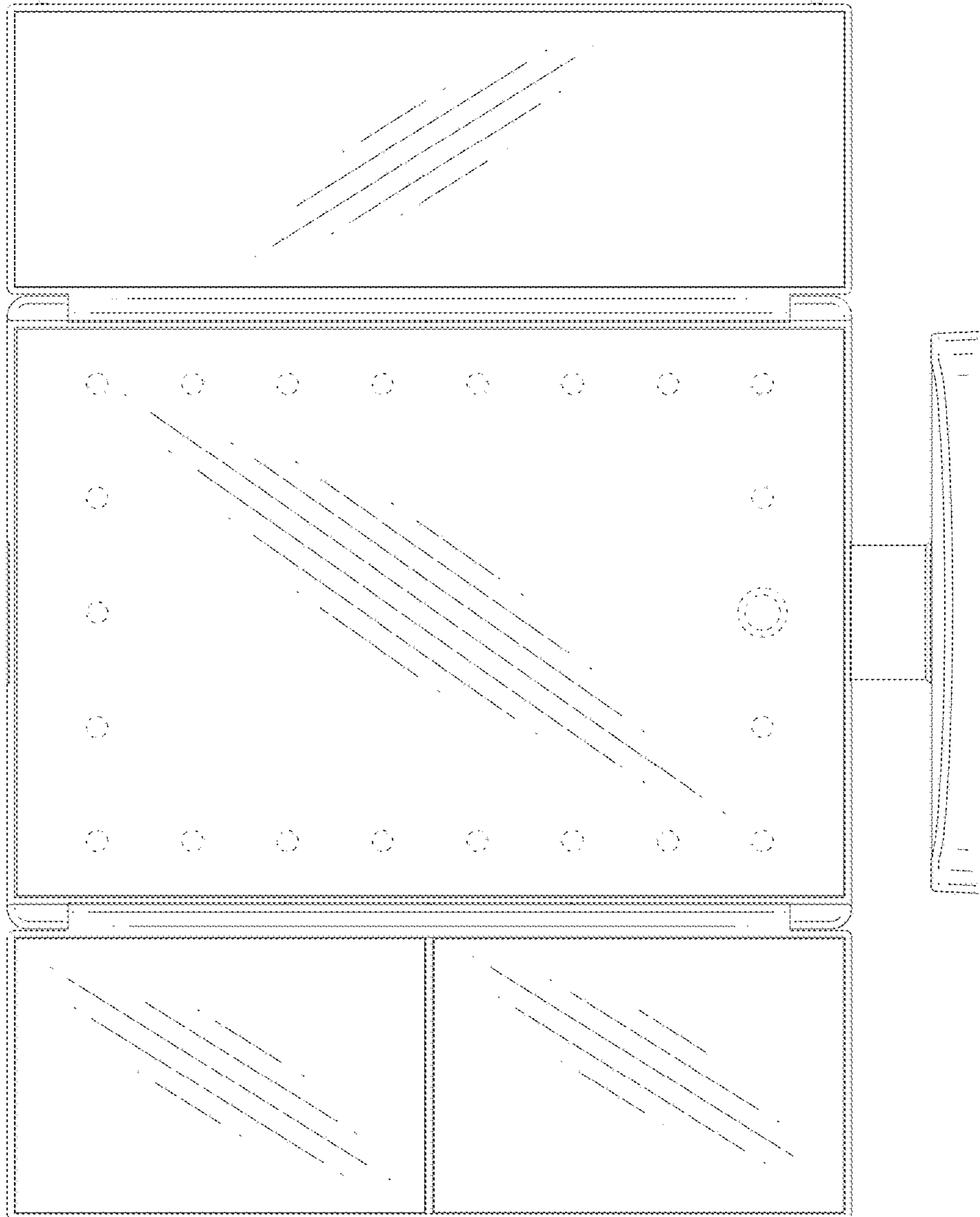


FIG.9