



US00D825199S

(12) **United States Design Patent** (10) **Patent No.:** **US D825,199 S**
Stephani et al. (45) **Date of Patent:** **** Aug. 14, 2018**

- (54) **TOILET TISSUE WITH RAISED PATTERN**
- (71) Applicant: **Rockline Industries, Inc.**, Sheboygan, WI (US)
- (72) Inventors: **Shann Marie Stephani**, Manitowoc, WI (US); **Suzanne Pufahl Walter**, Sheboygan, WI (US); **Robert J. Aloisi**, Sheboygan Falls, WI (US)
- (73) Assignee: **Rockline Industries, Inc.**, Sheboygan, WI (US)
- (**) Term: **15 Years**

D96,229 S * 7/1935 Clements D5/53
 D113,619 S * 3/1939 Berlinger D5/59
 D120,951 S * 6/1940 Carter D5/59
 (Continued)

Primary Examiner — Karen S Acker
Assistant Examiner — Wendy L Arminio
 (74) *Attorney, Agent, or Firm* — Reinhart Boerner Van Deuren s.c.

- (21) Appl. No.: **29/578,265**
- (22) Filed: **Sep. 20, 2016**
- (51) **LOC (11) Cl.** **05-06**
- (52) **U.S. Cl.**
USPC **D5/59; D5/53**
- (58) **Field of Classification Search**
USPC D5/1-8, 11, 19, 20, 23, 25, 30, 36, 43, D5/44, 47-64, 99; D25/112, 138; D19/1, 5; D6/582-584, 587, 588, 597, D6/602, 603, 608, 610, 612, 616, 617, D6/618, 578; D32/35, 40, 55, 57
CPC ... B31F 1/00; B31F 1/07; B32B 3/266; B32B 5/024; B44F 1/00; B44F 1/02; B44F 1/08; B44F 1/10; B44F 5/00; B44F 7/00; B44F 9/00; B44F 9/04; B44F 11/00; B44F 11/02; B44F 11/04; D03D 1/00; D04H 1/00; D04H 1/02; D10B 2503/04; D21H 27/02
See application file for complete search history.

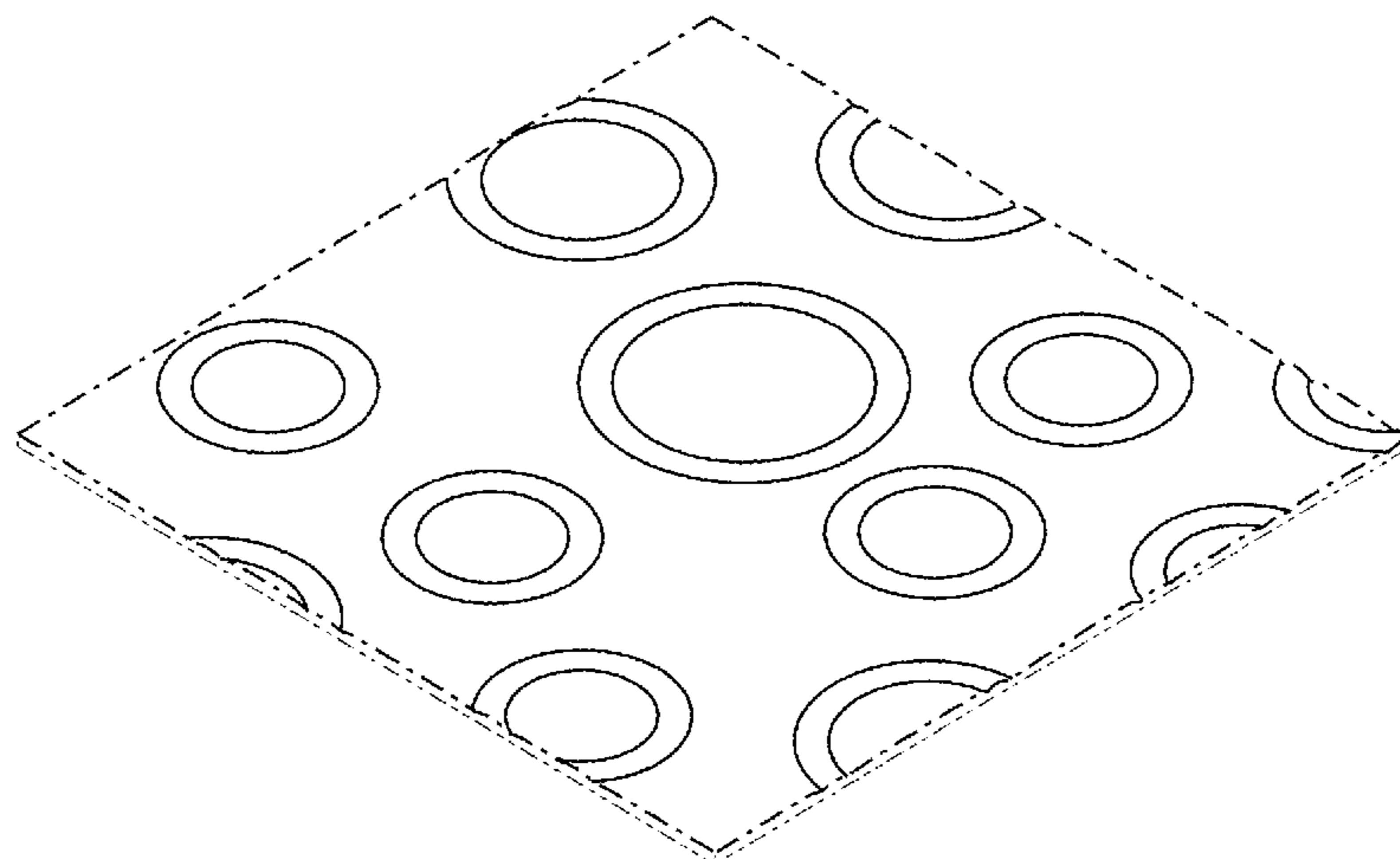
(57) **CLAIM**
 The ornamental design for a toilet tissue with raised pattern, as shown and described.

DESCRIPTION

FIG. 1 is an isometric view of the toilet tissue with raised pattern from the front, bottom, and left side;
 FIG. 2 is a front plan view thereof;
 FIG. 3 is a partial cross-sectional view taken along line 3-3 in FIG. 2;
 FIG. 4 is a partial cross-sectional view taken along line 4-4 in FIG. 2;
 FIG. 5 is a back plan view of the toilet tissue with raised pattern shown in FIGS. 1 and 2;
 FIG. 6 is a top side view of the toilet tissue with raised pattern of FIG. 2;
 FIG. 7 is a bottom side view of the toilet tissue with raised pattern of FIG. 2;
 FIG. 8 is a right side view of the toilet tissue with raised pattern of FIG. 2; and,
 FIG. 9 is a left side view of the toilet tissue with raised pattern of FIG. 2.
 The dash dot dash broken lines surrounding the toilet tissue with raised pattern shown in FIGS. 1 and 2 depict the boundaries of the claim and form no part thereof. The depth of the toilet tissue with raised pattern beyond the top surface and the back surface of the article illustrated in dash dot dot dash broken lines represent portions of the toilet tissue with raised pattern that are not included in the claim. All broken lines form no part of the claimed design.

1 Claim, 4 Drawing Sheets

- (56) **References Cited**
 U.S. PATENT DOCUMENTS
 D30,964 S * 6/1899 Schmitt 359/708
 D56,344 S * 10/1920 Dixon D25/106
 D70,947 S * 8/1926 Bunting D5/62
 D89,835 S * 5/1933 Hellman D25/158



(56)

References Cited

U.S. PATENT DOCUMENTS

D194,675 S *	2/1963	Vogel	D25/163	D555,407 S	11/2007	Lan	
4,030,317 A *	6/1977	Rogell	A44C 17/00	D556,967 S	12/2007	Martins et al.	
			428/15	D559,552 S	1/2008	Orgna et al.	
4,614,000 A *	9/1986	Mayer	A61F 13/00	D578,310 S	10/2008	Braunschweig et al.	
			428/156	D581,677 S	12/2008	Yeh	
D324,971 S *	3/1992	Blocker	D6/602	D585,649 S	2/2009	Bachmann	
5,817,199 A *	10/1998	Brennecke	B29C 65/087	D585,651 S	2/2009	Burazin et al.	
			156/290	D587,906 S	3/2009	Bachmann	
5,950,378 A *	9/1999	Council	E04F 15/10	D588,820 S	3/2009	Hall	
			52/177	D588,821 S	3/2009	Glakpe et al.	
D435,949 S	1/2001	Denney		D589,265 S	3/2009	Glakpe et al.	
D436,702 S	1/2001	Denney		D595,405 S	6/2009	Cauwood et al.	
D436,739 S	1/2001	Jahner et al.		D597,779 S	8/2009	Hoyle et al.	
D436,784 S	1/2001	Iacovelli et al.		D601,375 S	10/2009	Venugopal	
D438,355 S	2/2001	Tintelnot		D613,949 S	4/2010	Mercer et al.	
D438,960 S	3/2001	Velazquez et al.		D619,375 S	7/2010	Newhouse	
D438,961 S	3/2001	Velazquez et al.		D619,813 S	7/2010	Newhouse	
D438,963 S	3/2001	Velazquez et al.		D622,774 S	8/2010	Seum et al.	
D439,332 S	3/2001	Velazquez et al.		D625,540 S	10/2010	Dukes	
D439,386 S	3/2001	Denney		D629,213 S	12/2010	Carrier et al.	
D441,541 S	5/2001	Greenfield et al.		D634,553 S	3/2011	Glakpe et al.	
D445,227 S	7/2001	Tintelnot		D636,136 S	4/2011	Hoyle et al.	
D446,367 S	8/2001	Denney		D636,607 S	4/2011	Withers	
D446,616 S	8/2001	Denney		D640,025 S	6/2011	Wildeman	
D447,297 S	8/2001	Denney		7,971,526 B2 *	7/2011	Blenke	B31F 1/07
D447,299 S	8/2001	Denney					101/23
D447,300 S	8/2001	Denney		D644,750 S	9/2011	McMaster	
D447,610 S	9/2001	Denney		D649,788 S	12/2011	Sheehan et al.	
D451,656 S	12/2001	Denney		D650,994 S	12/2011	Sheehan et al.	
D451,682 S	12/2001	Jahner et al.		D654,701 S	2/2012	Tambellini	
D452,053 S	12/2001	Denney		D655,514 S	3/2012	Tambellini	
D453,421 S	2/2002	Greenfield et al.		D657,513 S	4/2012	Wildeman	
D462,530 S	9/2002	Almvik		D660,009 S	5/2012	Nielsen	
D464,807 S	10/2002	Carter		D660,010 S	5/2012	Boerschinger	
D465,093 S	11/2002	Jahner et al.		D667,637 S	9/2012	Habig	
D465,094 S	11/2002	Kuehn et al.		D668,060 S	10/2012	Cordovana et al.	
D465,338 S	11/2002	Jahner et al.		D672,964 S	12/2012	Sheehan et al.	
D466,702 S	12/2002	Carlson et al.		D672,965 S	12/2012	Sheehan et al.	
D468,844 S *	1/2003	Montgomery, Sr.	D25/138	D672,966 S	12/2012	Sheehan et al.	
D472,056 S	3/2003	Jahner		D672,967 S	12/2012	Sheehan et al.	
D475,206 S	6/2003	Ackerman et al.		D681,964 S	5/2013	Romano, III et al.	
D483,596 S	12/2003	Wildstein et al.		D694,024 S	11/2013	Dwiggins et al.	
D490,988 S	6/2004	Delaney et al.		D695,552 S	12/2013	Gatto	
D494,402 S	8/2004	Scansetti		D696,029 S	12/2013	Seyler	
D495,149 S	8/2004	Ragnarsson et al.		D700,363 S	2/2014	Schober et al.	
6,808,774 B2 *	10/2004	Autterson	C09J 7/21	D702,445 S *	4/2014	Boyle	D5/61
			428/40.1	D702,951 S	4/2014	Timmerman et al.	
D501,089 S	1/2005	Leisch et al.		D703,446 S	4/2014	Robert et al.	
D505,528 S	5/2005	Burt et al.		D703,835 S *	4/2014	Schober	D25/105
D505,551 S	5/2005	Leisch et al.		D704,479 S	5/2014	Gatto	
D507,415 S	7/2005	Boerschinger et al.		D705,927 S	5/2014	Hood et al.	
D507,888 S	8/2005	Basler et al.		D714,506 S	9/2014	Yamada	
D508,785 S	8/2005	Jeannot et al.		D714,560 S	10/2014	Xu et al.	
D513,884 S	1/2006	Ebisawa		D724,866 S	3/2015	Johnson et al.	
D515,824 S	2/2006	Leisch et al.		D731,086 S	6/2015	Martin et al.	
D516,318 S	3/2006	Hasenoehrl et al.		9,062,913 B2 *	6/2015	Araujo	F25D 31/00
D516,319 S	3/2006	Hasenoehrl et al.		D740,570 S	10/2015	Seitzinger et al.	
D517,816 S	3/2006	Dwiggins et al.		D743,714 S	11/2015	Kraemer	
D523,192 S	6/2006	Northrop		D747,885 S	1/2016	Seyler	
D525,437 S	7/2006	Leisch et al.		D748,921 S	2/2016	Romano, III et al.	
D525,576 S	7/2006	Lu		D751,825 S	3/2016	Miller et al.	
D527,909 S	9/2006	Leisch et al.		D757,450 S	5/2016	Sierra et al.	
D528,306 S	9/2006	Leisch et al.		D765,428 S *	9/2016	Aragon	D5/59
D540,093 S	4/2007	Lan		2002/0114926 A1 *	8/2002	Malpass	A47G 27/0412
D542,070 S	5/2007	Richardson					428/156
D545,572 S	7/2007	Barkey et al.		2006/0002148 A1 *	1/2006	Kim	G02B 6/0018
D546,068 S	7/2007	Vidal et al.					362/615
D546,069 S	7/2007	Walther et al.		2006/0048454 A1 *	3/2006	Welygan	B24D 3/002
D546,070 S	7/2007	Conroy et al.					51/298
D546,071 S	7/2007	Barkey et al.		2007/0254145 A1 *	11/2007	Sawin	D04H 1/49
D546,072 S	7/2007	Fung					428/292.1
D550,969 S	9/2007	Fung et al.		2007/0293106 A1 *	12/2007	Harber	A41D 1/04
D550,970 S	9/2007	Vidal et al.					442/2
				2011/0203783 A1 *	8/2011	Blackford	A41D 31/0038
							165/185

* cited by examiner

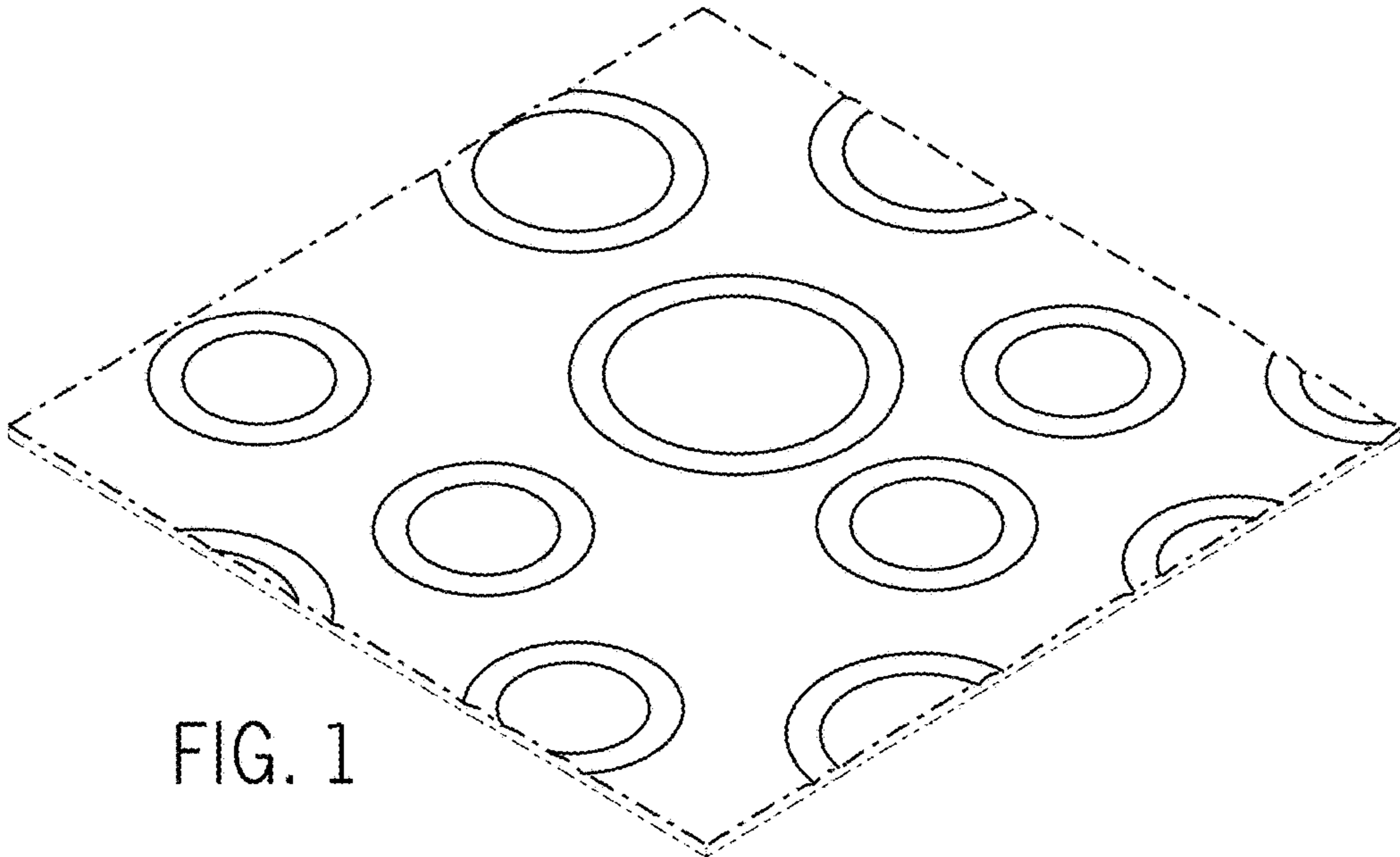


FIG. 1

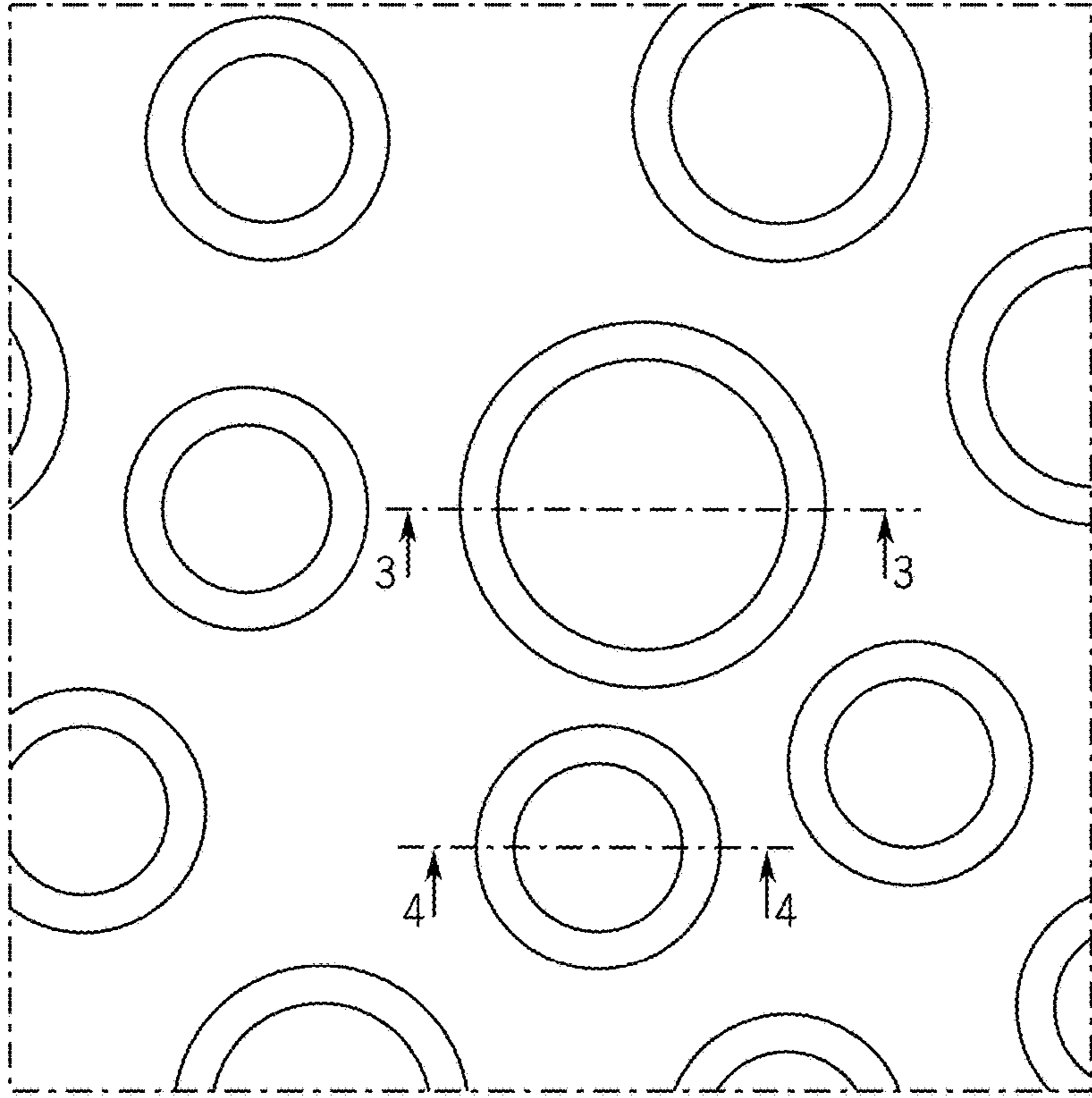


FIG. 2



FIG. 3

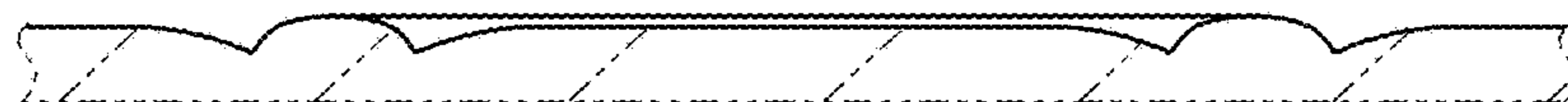


FIG. 4

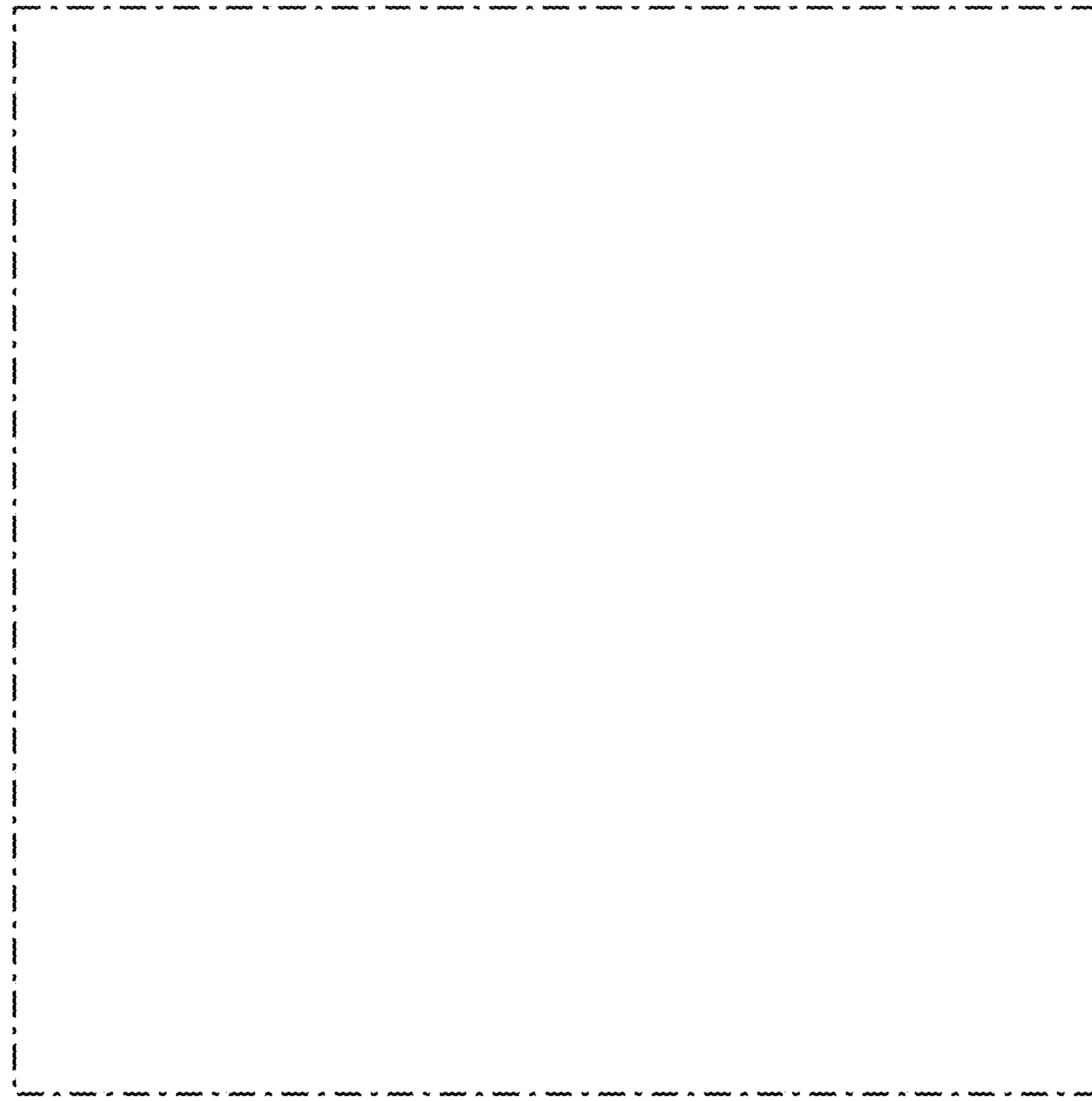


FIG. 5

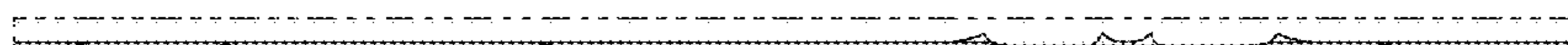


FIG. 6

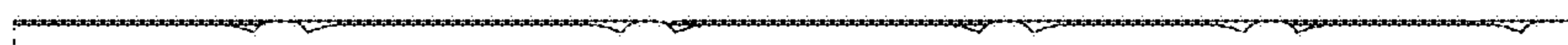


FIG. 7

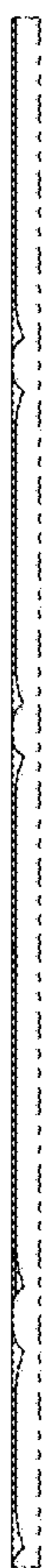


FIG. 8

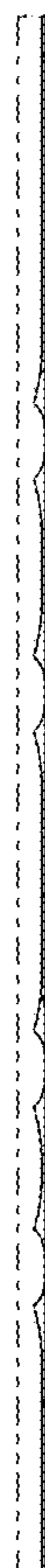


FIG. 9