



US00D825194S

(12) **United States Design Patent**
Katsuma

(10) **Patent No.:** **US D825,194 S**

(45) **Date of Patent:** **** Aug. 14, 2018**

(54) **PAINT EDGER**

(71) Applicant: **LINZER PRODUCTS CORP.**, West
Babylon, NY (US)

(72) Inventor: **Takashi Katsuma**, Port Washington,
NY (US)

(73) Assignee: **LINZER PRODUCTS CORP.**, West
Babylon, NY (US)

(**) Term: **15 Years**

(21) Appl. No.: **29/573,131**

(22) Filed: **Aug. 3, 2016**

(51) **LOC (11) Cl.** **04-04**

(52) **U.S. Cl.**
USPC **D4/137**

(58) **Field of Classification Search**
USPC D4/116, 121, 129, 137, 138, 199; D8/90,
D8/94; D32/17, 40, 41, 48, 50, 52
CPC A45D 40/28; A46B 5/0075; A46B 5/0083;
A46B 5/0087; A46B 5/0091; A46B
5/0095; B05C 17/00; B05C 17/00589;
B05C 17/0205; B05C 1/00
See application file for complete search history.

(56) **References Cited**

U.S. PATENT DOCUMENTS

- 3,708,821 A * 1/1973 Chase B05C 17/00
15/144.2
- D439,748 S * 4/2001 Woodnorth D32/52
- 6,530,107 B2 * 3/2003 Kim B05C 17/00
15/145
- D482,202 S * 11/2003 Newman D4/121

- D504,777 S * 5/2005 Gartner D32/52
- D515,821 S * 2/2006 Gartner D32/52
- D527,190 S * 8/2006 Henke D4/138
- D527,240 S * 8/2006 Kirschhoffer D8/90
- 8,032,973 B2 * 10/2011 Lutgen B05C 17/00
15/144.2
- D652,283 S * 1/2012 Arvinte D8/90
- D657,928 S * 4/2012 Byrne D32/50
- 2016/0016193 A1 * 1/2016 Fee B05C 17/00
401/48
- 2017/0165701 A1 * 6/2017 Constantine B05C 17/00

* cited by examiner

Primary Examiner — Thomas J Johannes

Assistant Examiner — Jasmine Mlinarcik

(74) *Attorney, Agent, or Firm* — Donald J. Ranft; Collen

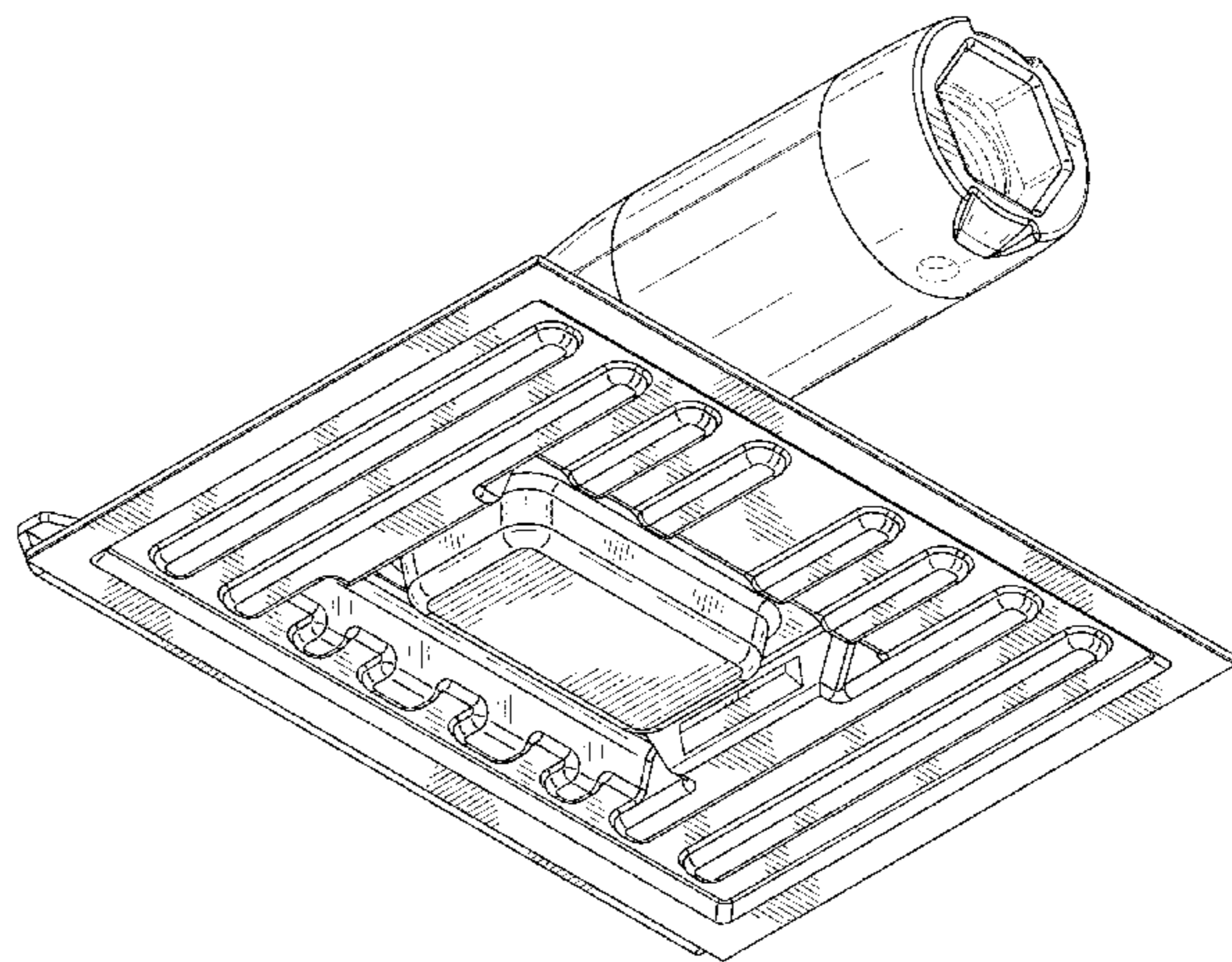
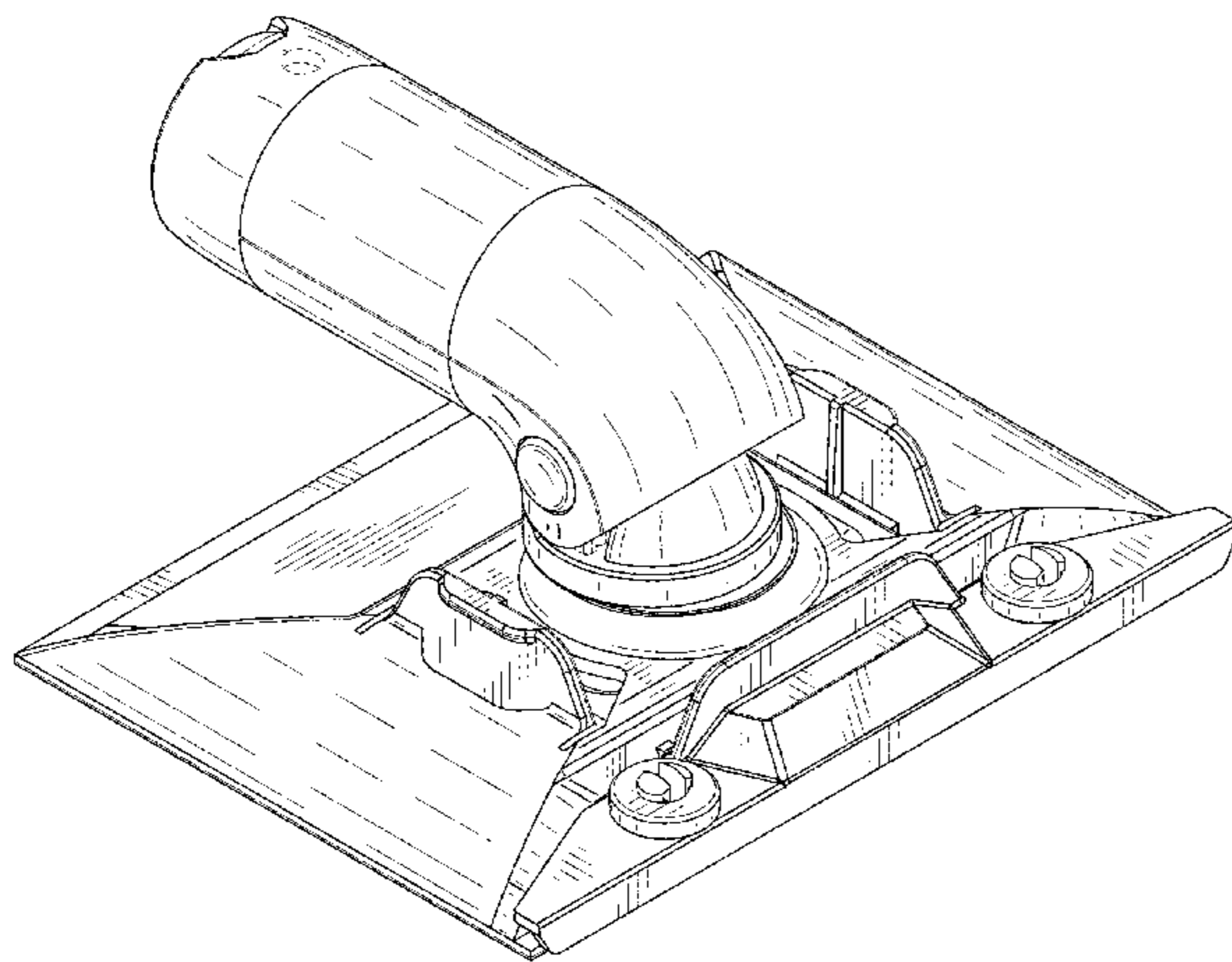
(57) **CLAIM**

The ornamental design for a paint edger, as shown and described.

DESCRIPTION

FIG. 1 is a front left perspective view of a paint edger showing my new design;
 FIG. 2 is a bottom right perspective view thereof;
 FIG. 3 is a rear left perspective view thereof;
 FIG. 4 is a top plan view thereof;
 FIG. 5 is a bottom plan view thereof;
 FIG. 6 is a side elevational view, thereof; the other side view being a mirror image thereof;
 FIG. 7 is a front elevation view thereof; and,
 FIG. 8 is a rear elevation view thereof.
 The portions of the paint edger shown in broken lines form no part of the claimed design.

1 Claim, 8 Drawing Sheets



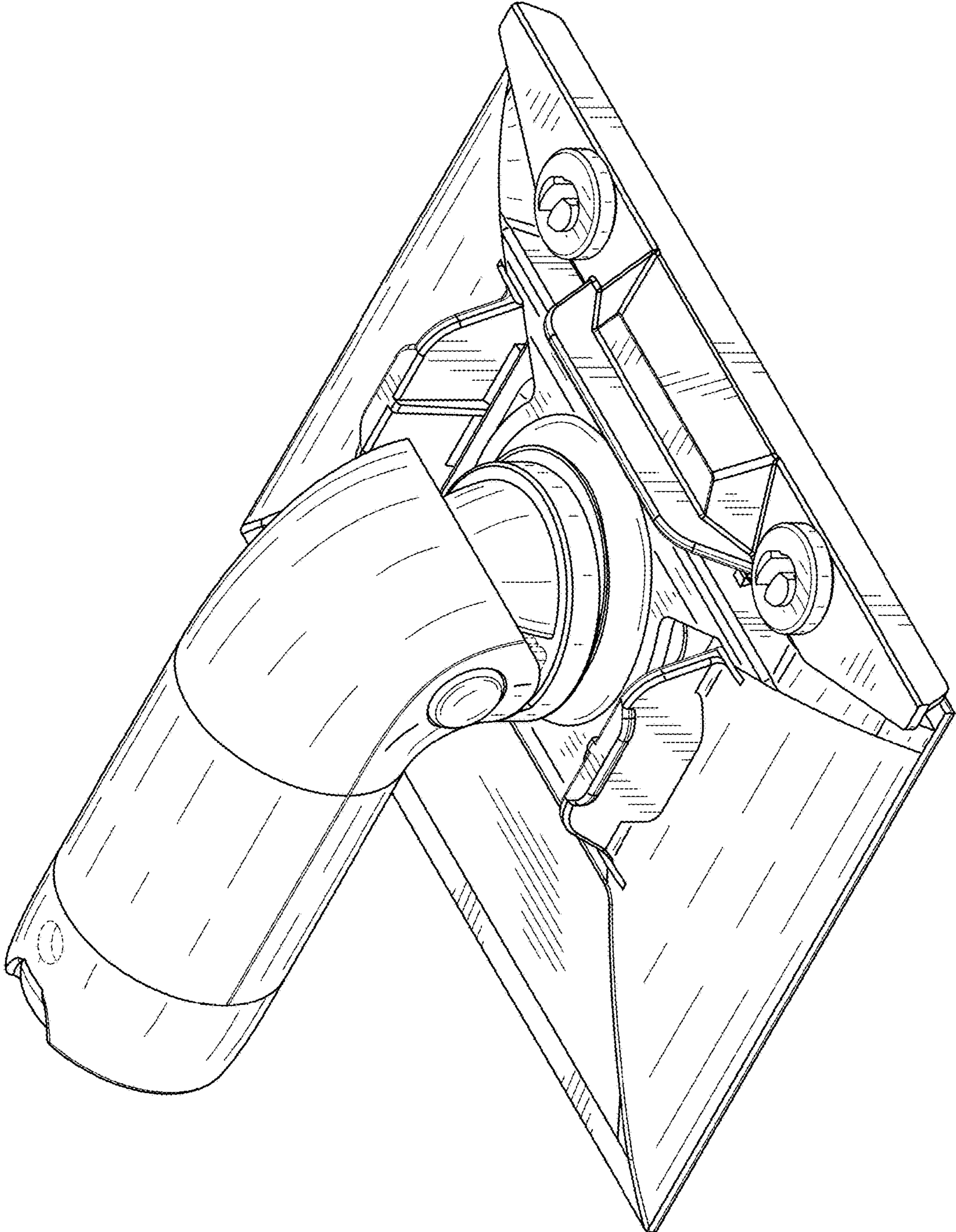


FIG. 1

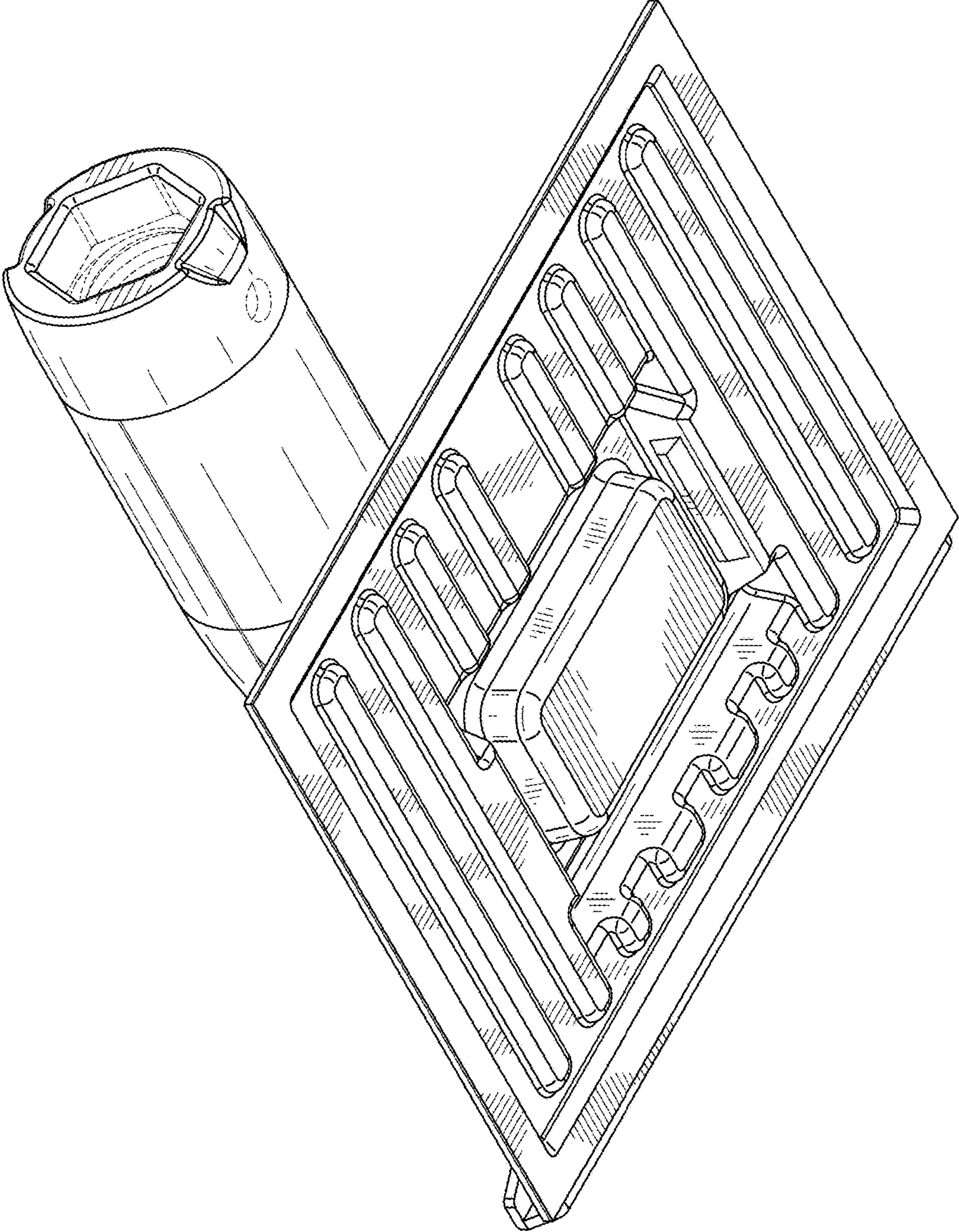


FIG. 2

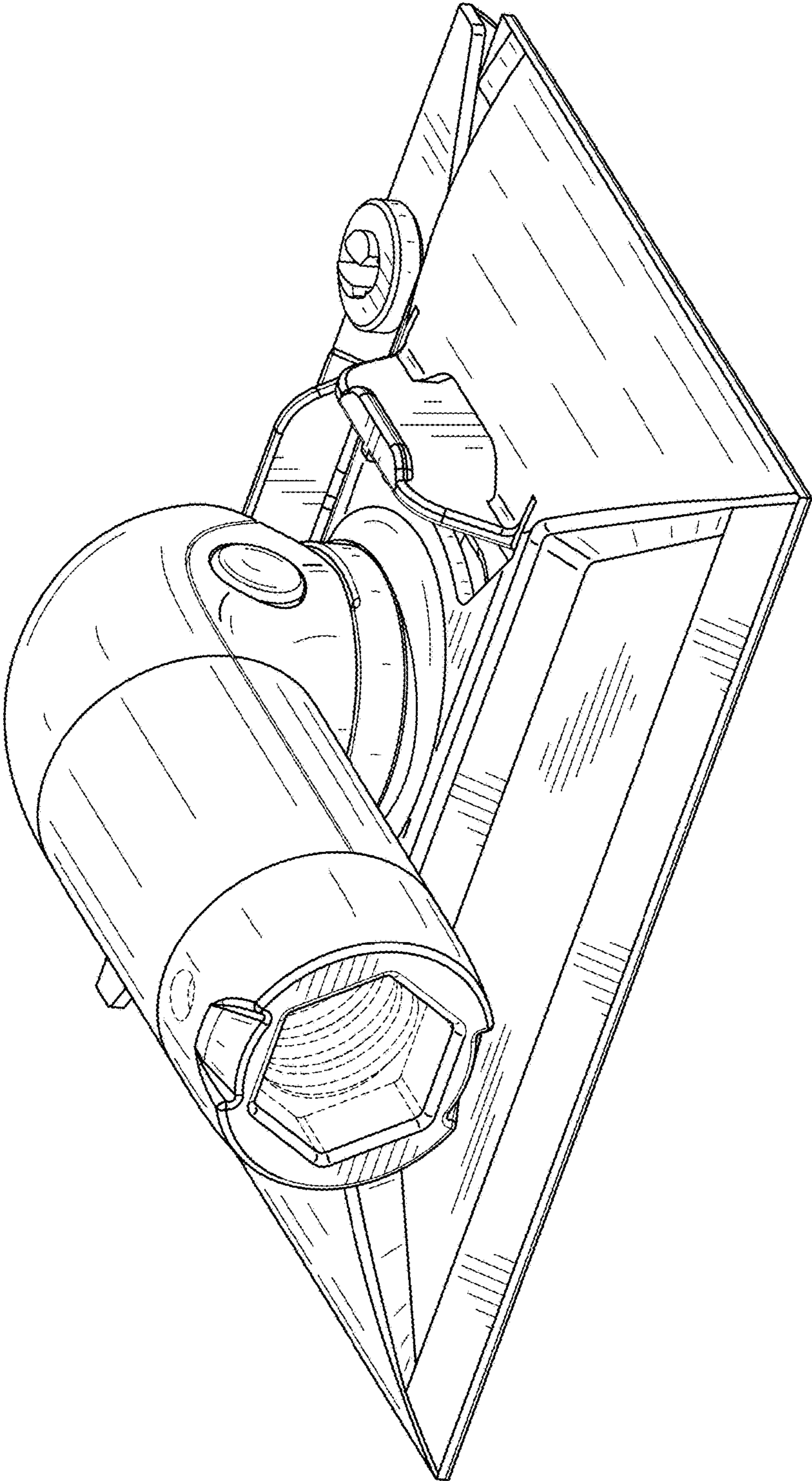


FIG. 3

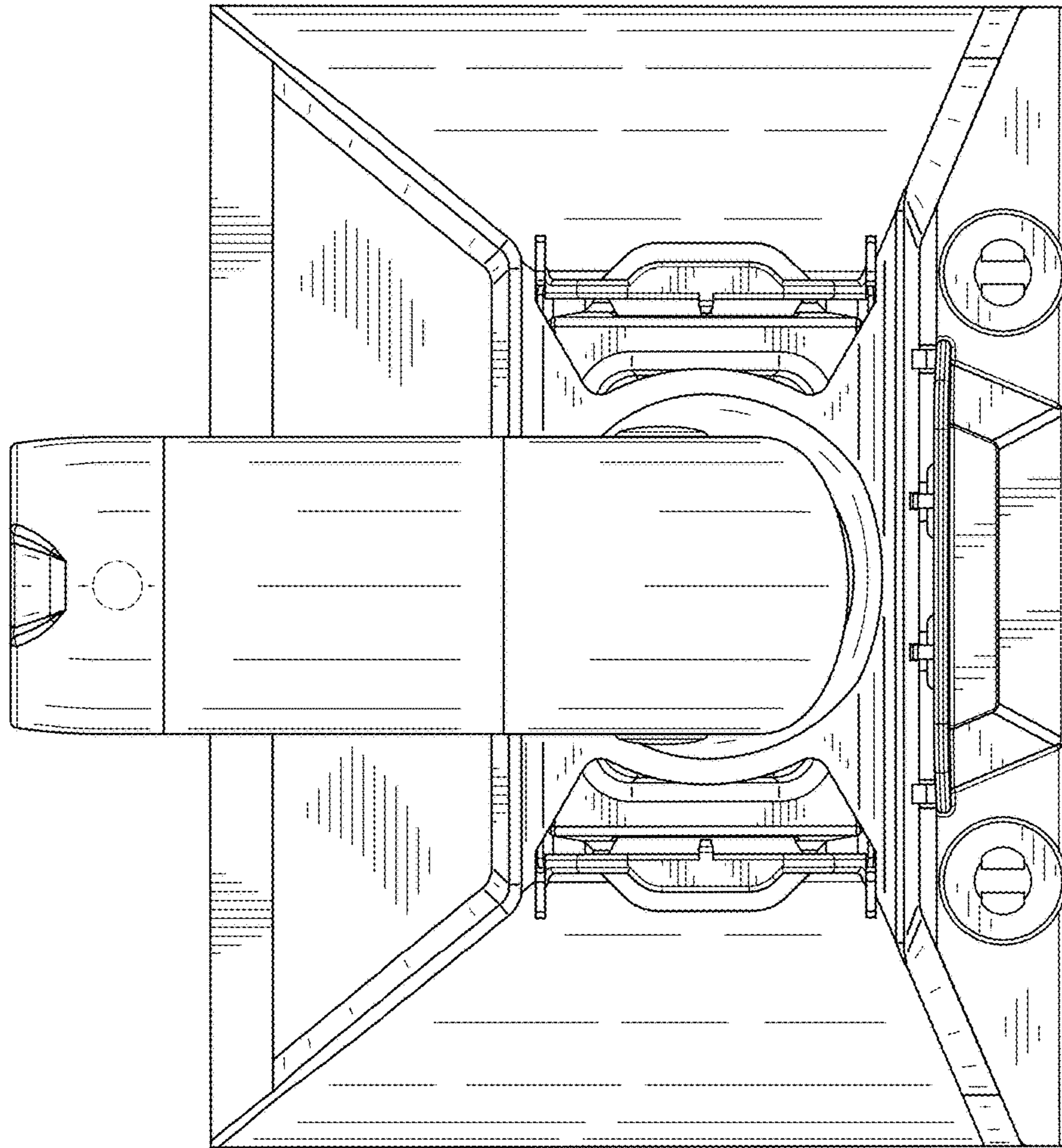


FIG. 4

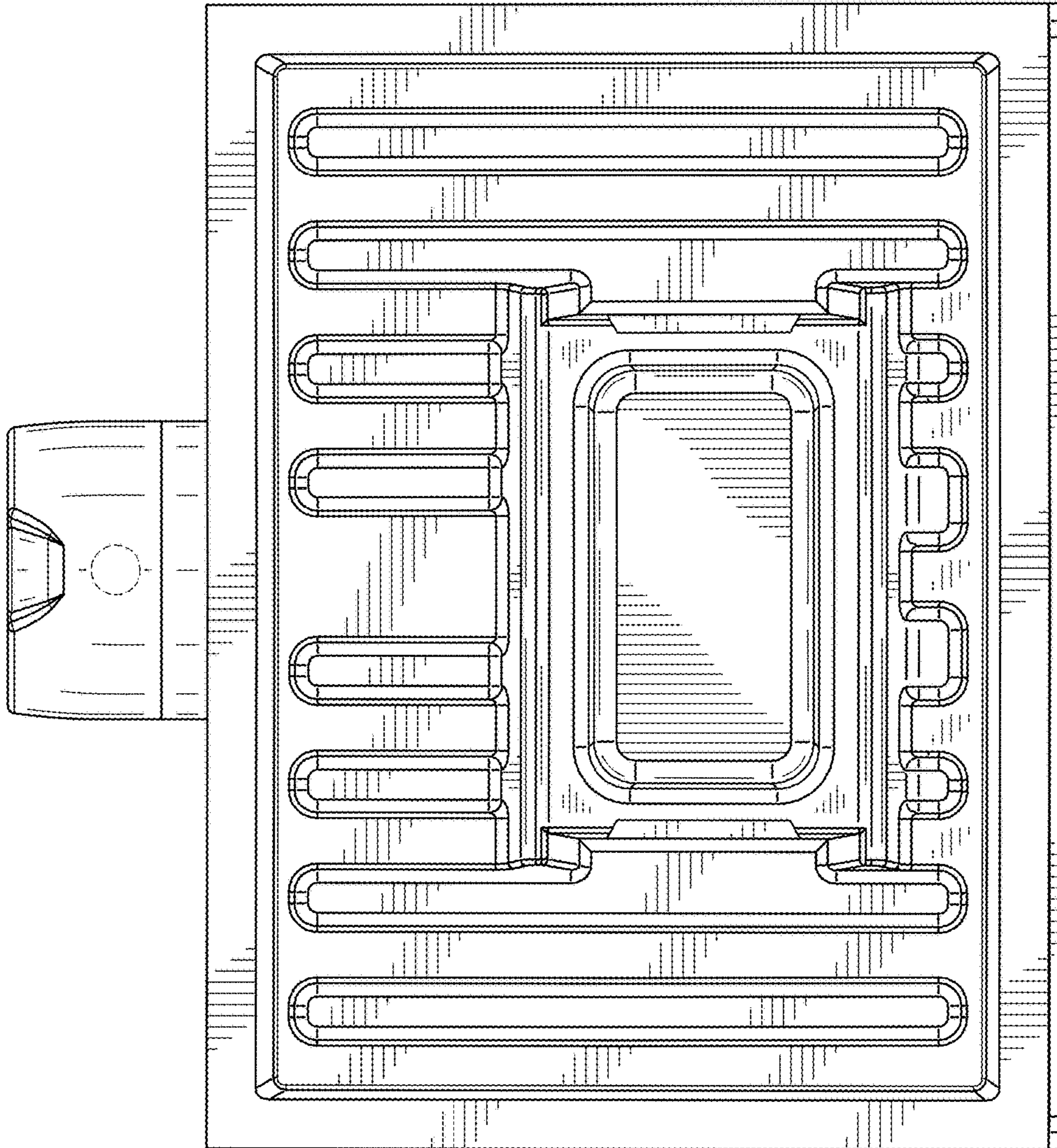


FIG. 5

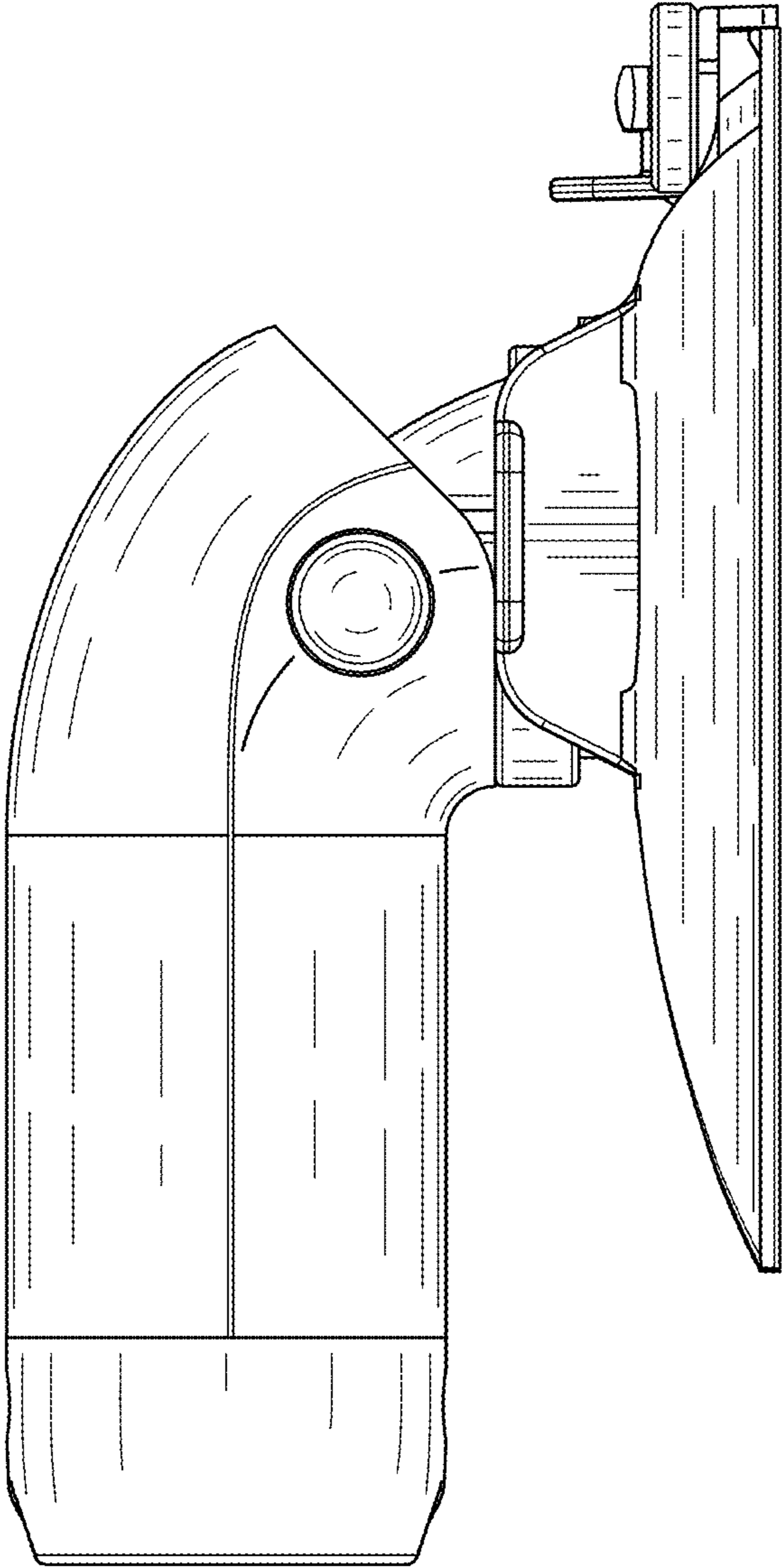


FIG. 6

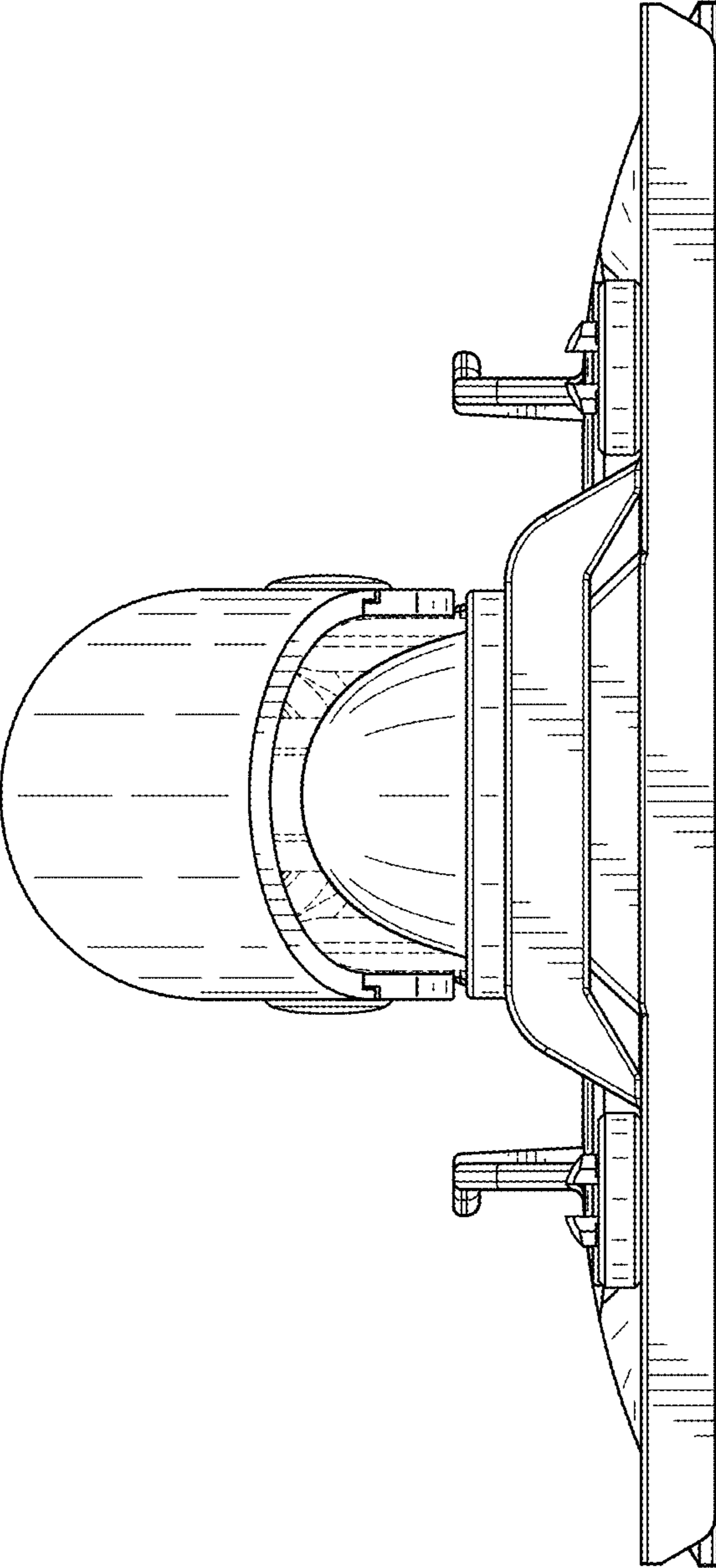


FIG. 7

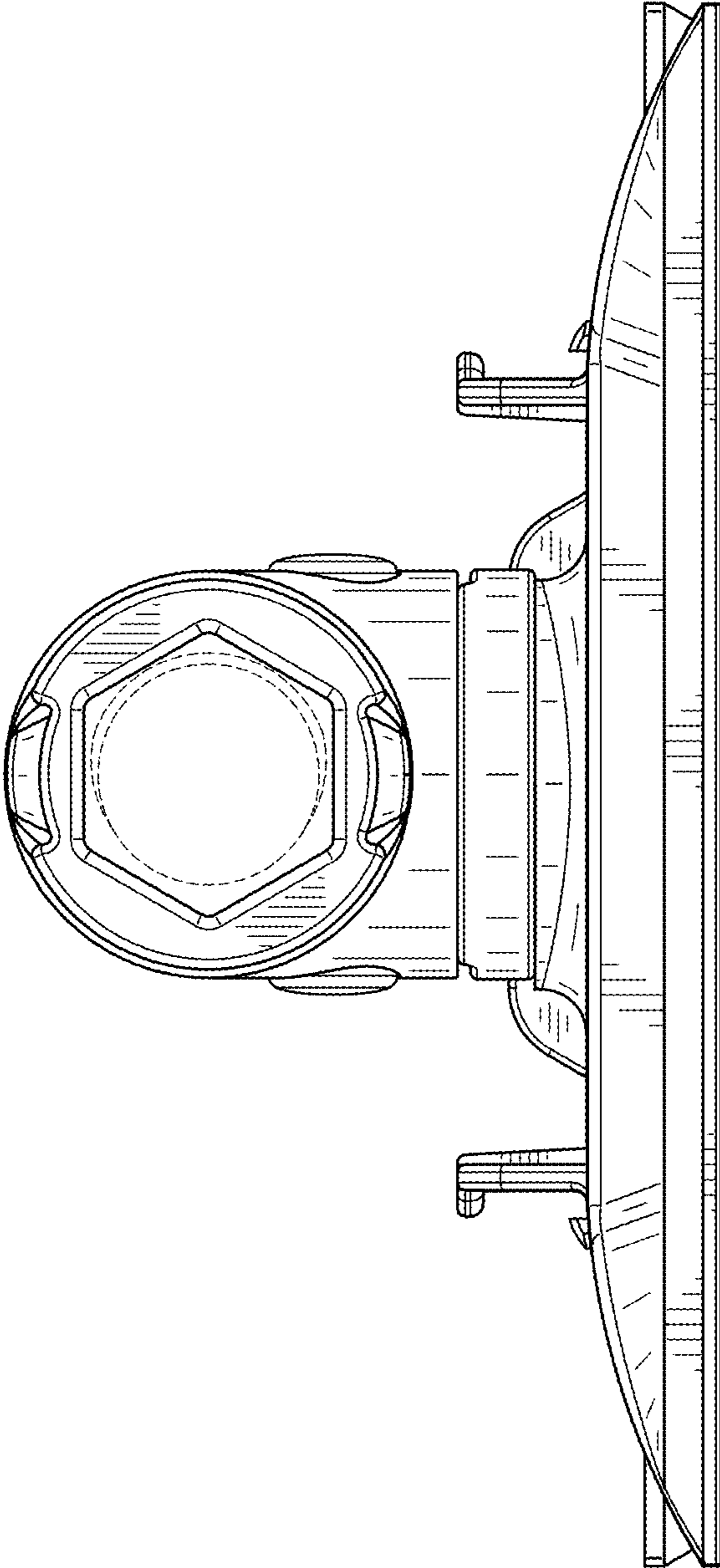


FIG. 8