



US00D825193S

(12) **United States Design Patent**  
**Nicoline**

(10) **Patent No.:** **US D825,193 S**

(45) **Date of Patent:** **\*\* Aug. 14, 2018**

(54) **MAKEUP BRUSH**

(71) Applicant: **Paris Presents Incorporated**, Gurnee, IL (US)

(72) Inventor: **Alyssa Carolyn Nicoline**, McHenry, IL (US)

(73) Assignee: **PARIS PRESENTS INCORPORATED**, Gurnee, IL (US)

(\*\*) Term: **15 Years**

(21) Appl. No.: **29/626,215**

(22) Filed: **Nov. 15, 2017**

**Related U.S. Application Data**

(63) Continuation of application No. 29/596,179, filed on Mar. 6, 2017, now Pat. No. Des. 802,936.

(51) **LOC (11) Cl.** ..... **04-02**

(52) **U.S. Cl.**  
USPC ..... **D4/135**

(58) **Field of Classification Search**  
USPC ..... D4/121, 127, 135, 138; 15/106, 159.1, 15/160, 176.1, 184, 190-194; 132/289, 132/294, 298, 313, 317, 320; 401/123, 401/141, 175, 281  
CPC ..... A46B 7/026; A46B 5/005; A46B 17/04; A46B 2200/1046

See application file for complete search history.

(56) **References Cited**

**U.S. PATENT DOCUMENTS**

D30,616 S \* 4/1899 Bentzinger ..... D4/135  
D147,406 S \* 9/1947 Goeller ..... 15/185

D158,728 S *	5/1950	Collins	.....	D4/135
D183,913 S *	11/1958	Brands	.....	D4/135
D251,159 S *	2/1979	Tolliver	.....	D4/114
D269,481 S *	6/1983	Souza	.....	D4/114
D601,804 S *	10/2009	Hwang	.....	D4/103
D706,542 S *	6/2014	Lavigne	.....	D4/135
D721,892 S *	2/2015	Ash	.....	D4/114
D757,442 S *	5/2016	Waitesmith	.....	D4/127
D765,421 S *	9/2016	Cole	.....	D4/135
D770,185 S *	11/2016	Shown	.....	D4/127
D790,226 S *	6/2017	Grant	.....	D4/136
D802,936 S *	11/2017	Nicoline	.....	D4/135
D802,937 S *	11/2017	Nicoline	.....	D4/135

\* cited by examiner

*Primary Examiner* — Austin Murphy

(74) *Attorney, Agent, or Firm* — Quarles & Brady LLP

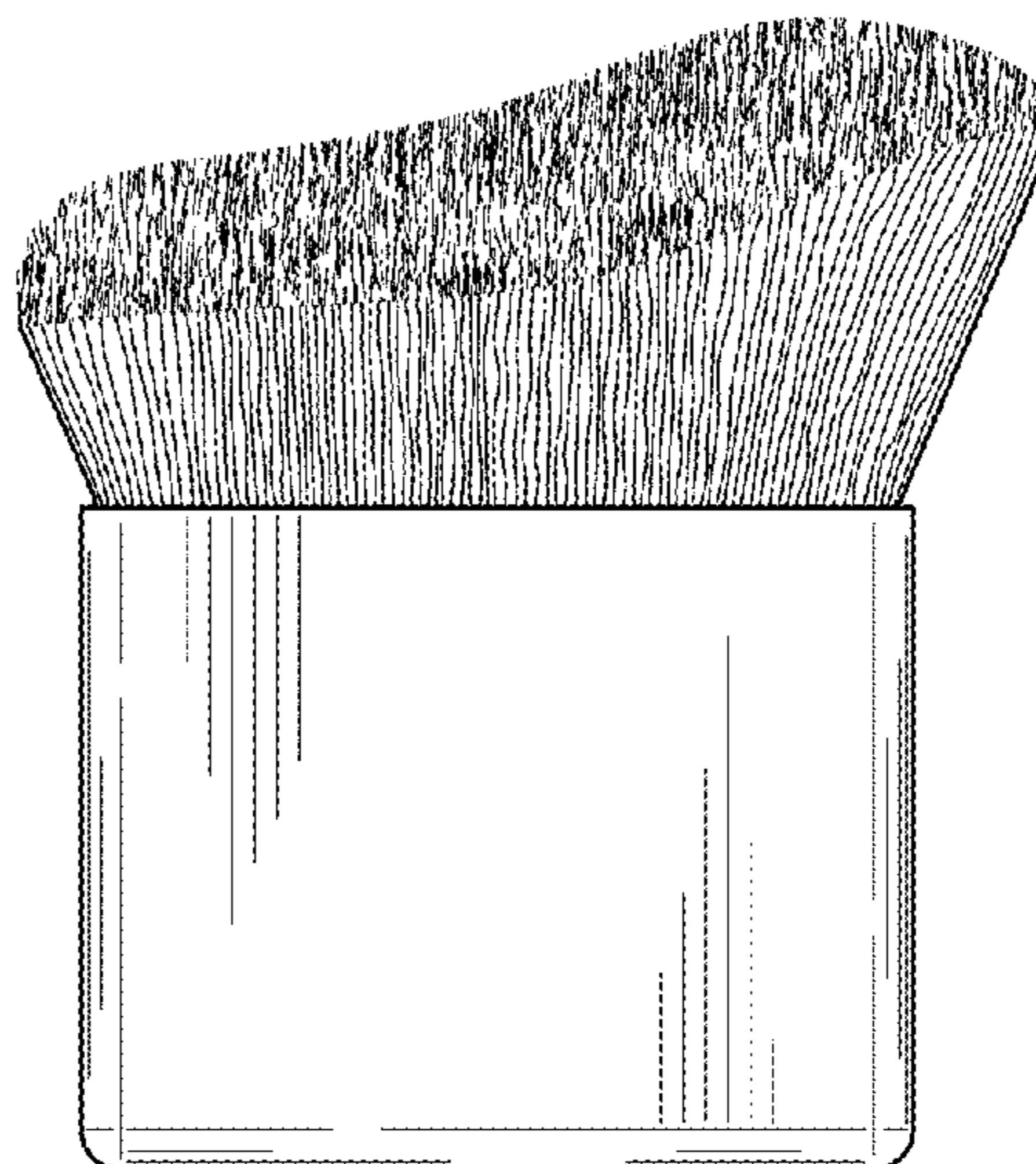
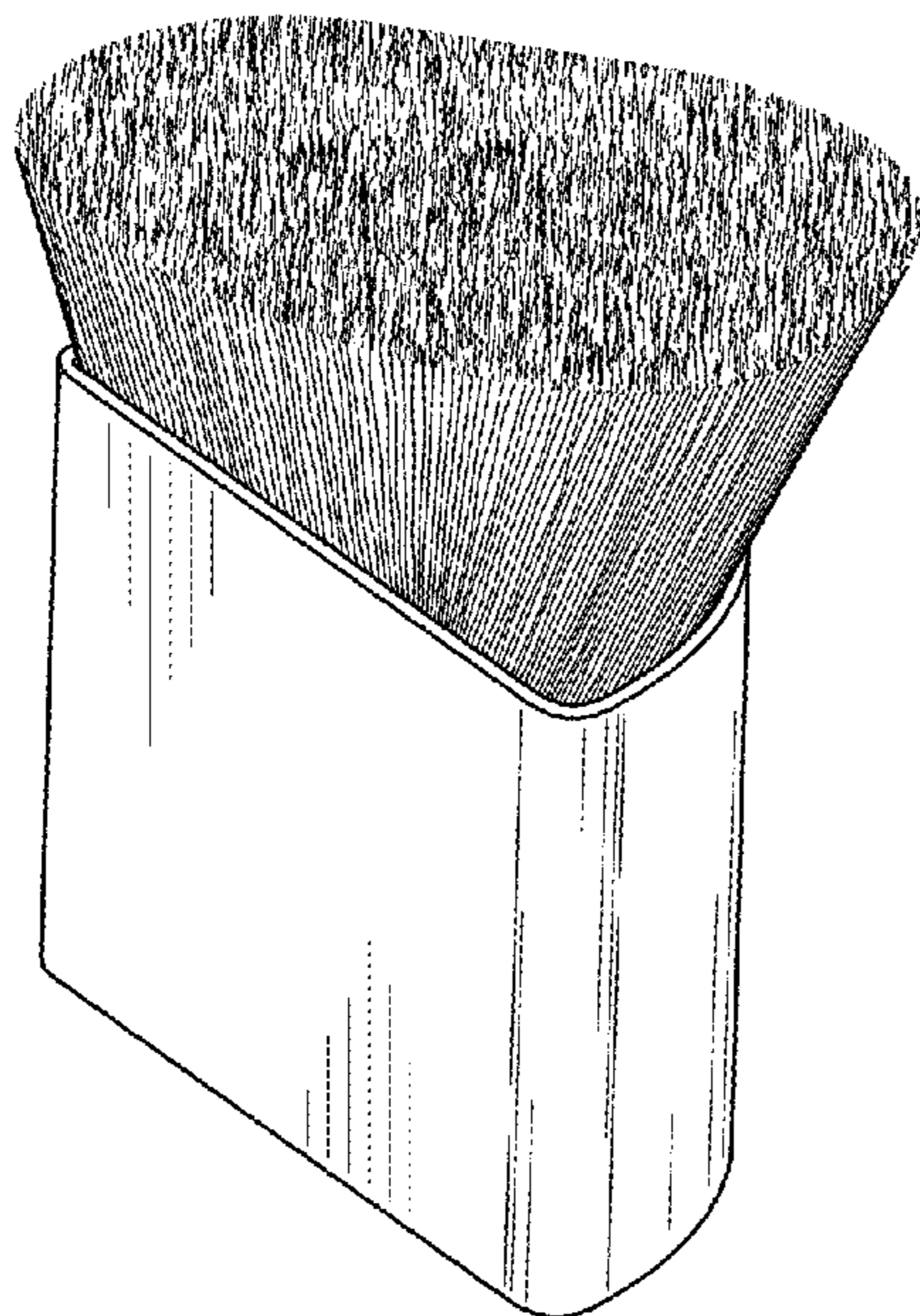
(57) **CLAIM**

The ornamental design for a makeup brush, as shown.

**DESCRIPTION**

FIG. 1 is an isometric view of a front, top, and right side of an ornamental design for a makeup brush;  
FIG. 2 is a front elevational view of the makeup brush of FIG. 1;  
FIG. 3 is a rear elevational view of the makeup brush of FIG. 1;  
FIG. 4 is a right side elevational view of the makeup brush of FIG. 1;  
FIG. 5 is a left side elevational view of the makeup brush of FIG. 1;  
FIG. 6 is a top plan view of the makeup brush of FIG. 1; and,  
FIG. 7 is a bottom plan view of the makeup brush of FIG. 1.

**1 Claim, 2 Drawing Sheets**



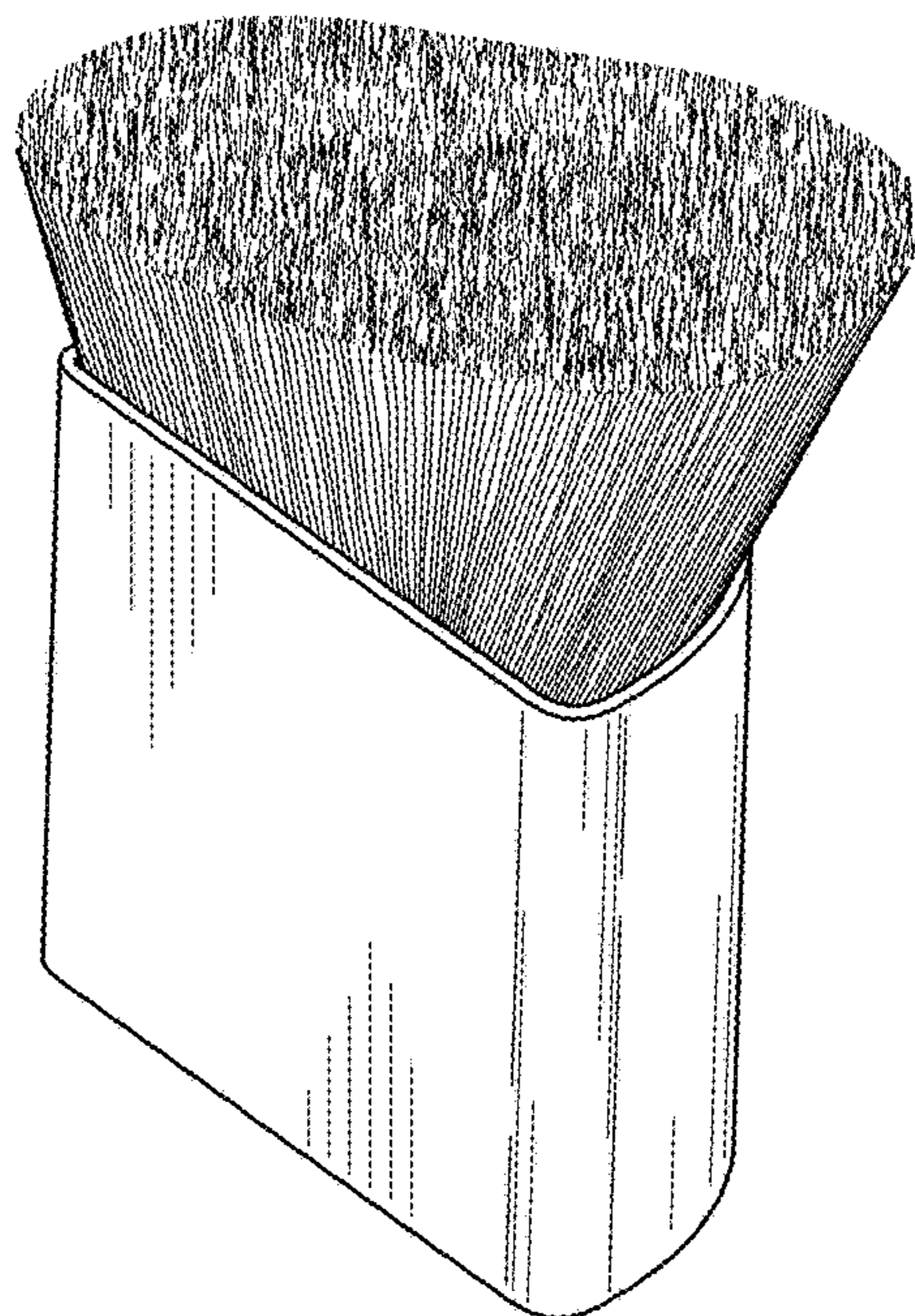


FIG. 1

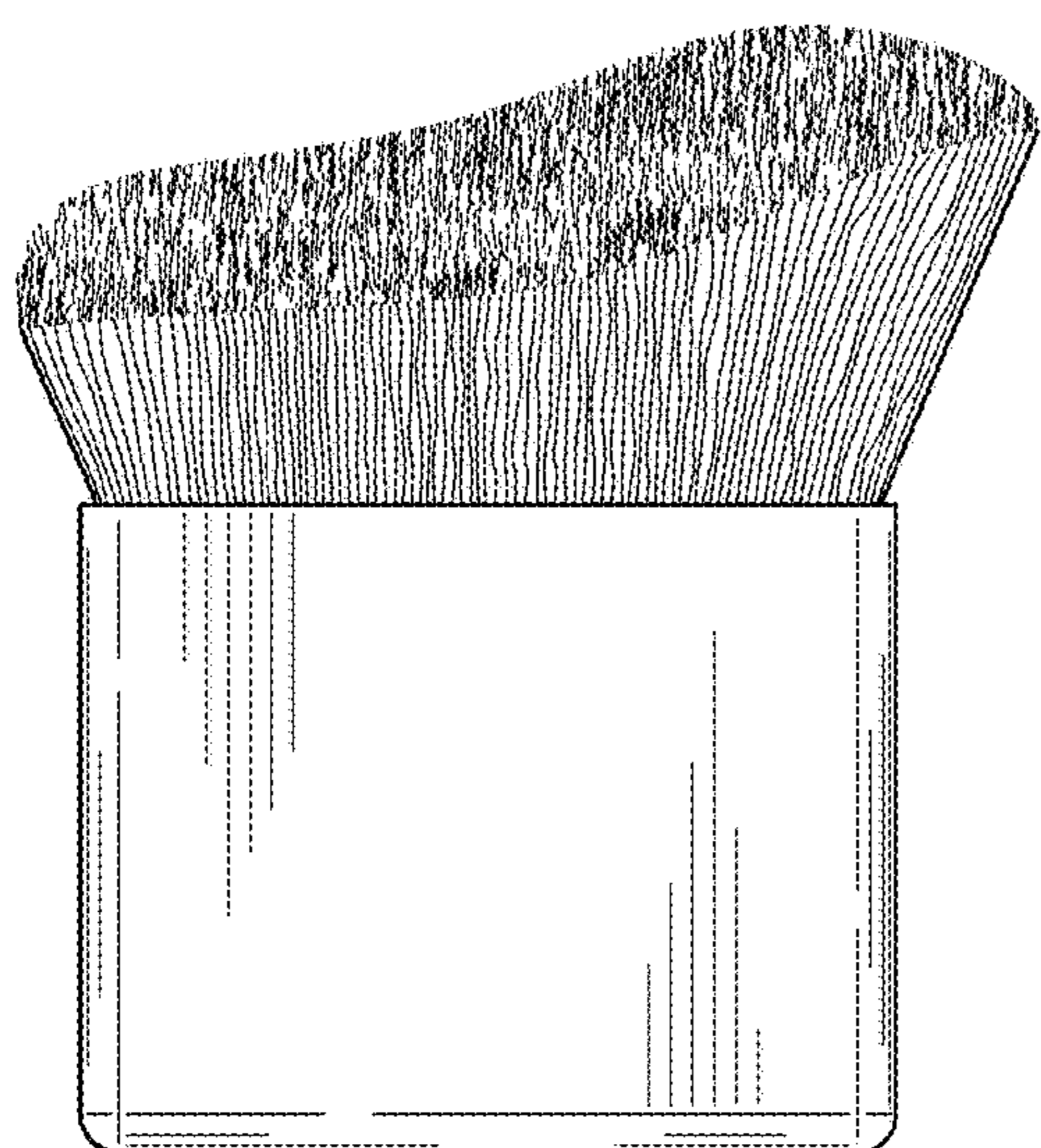


FIG. 2

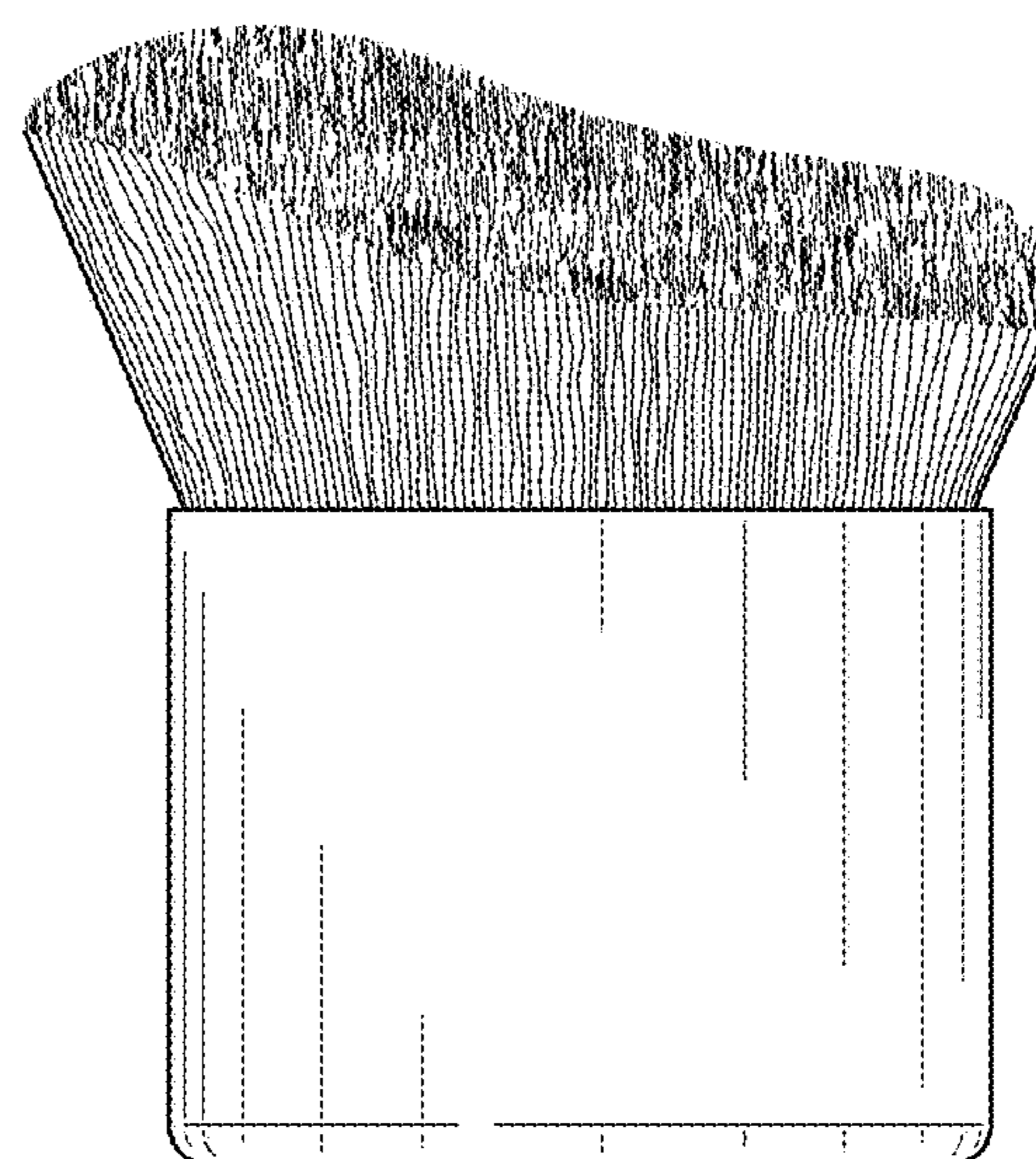


FIG. 3

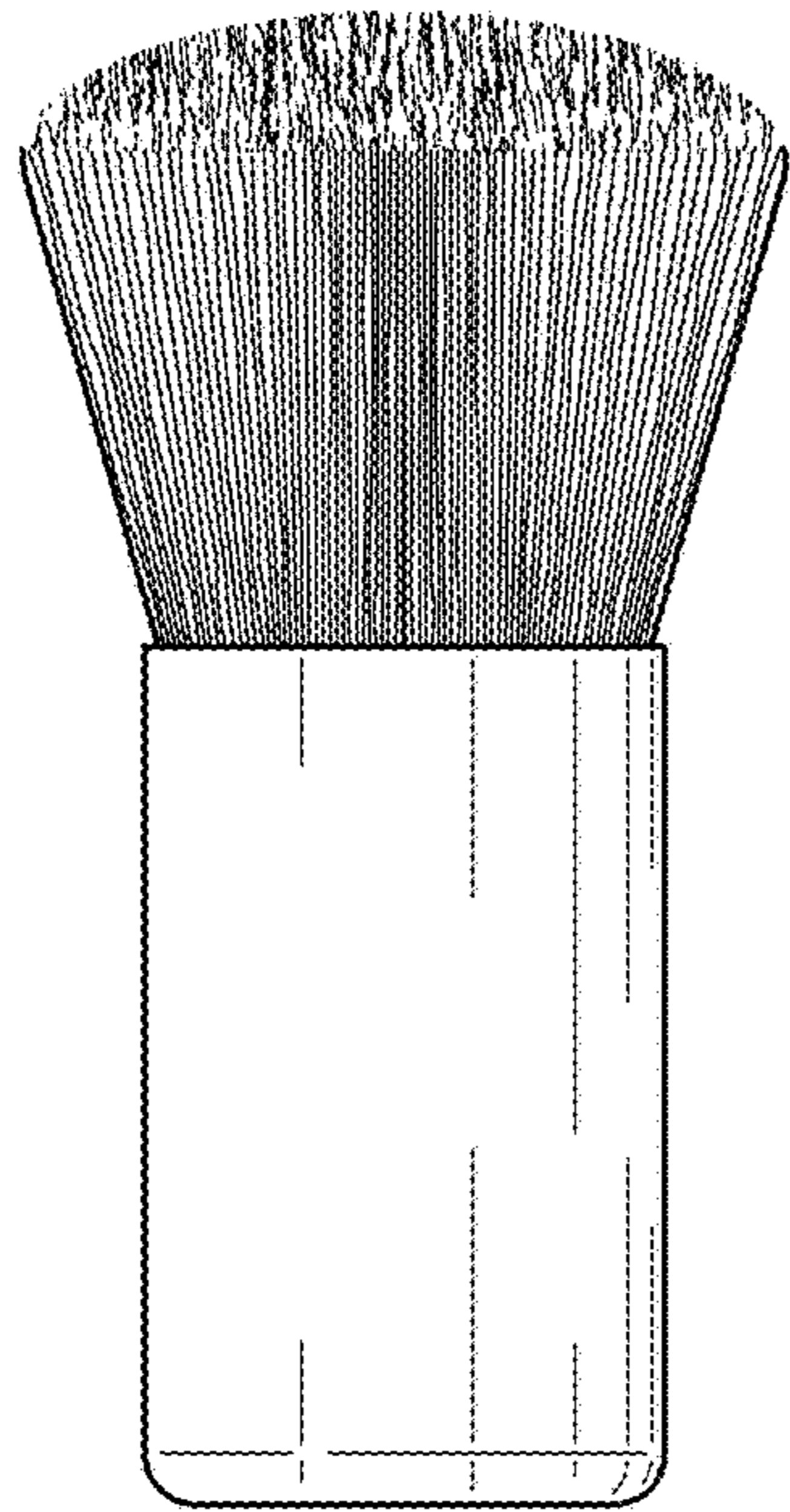


FIG. 4

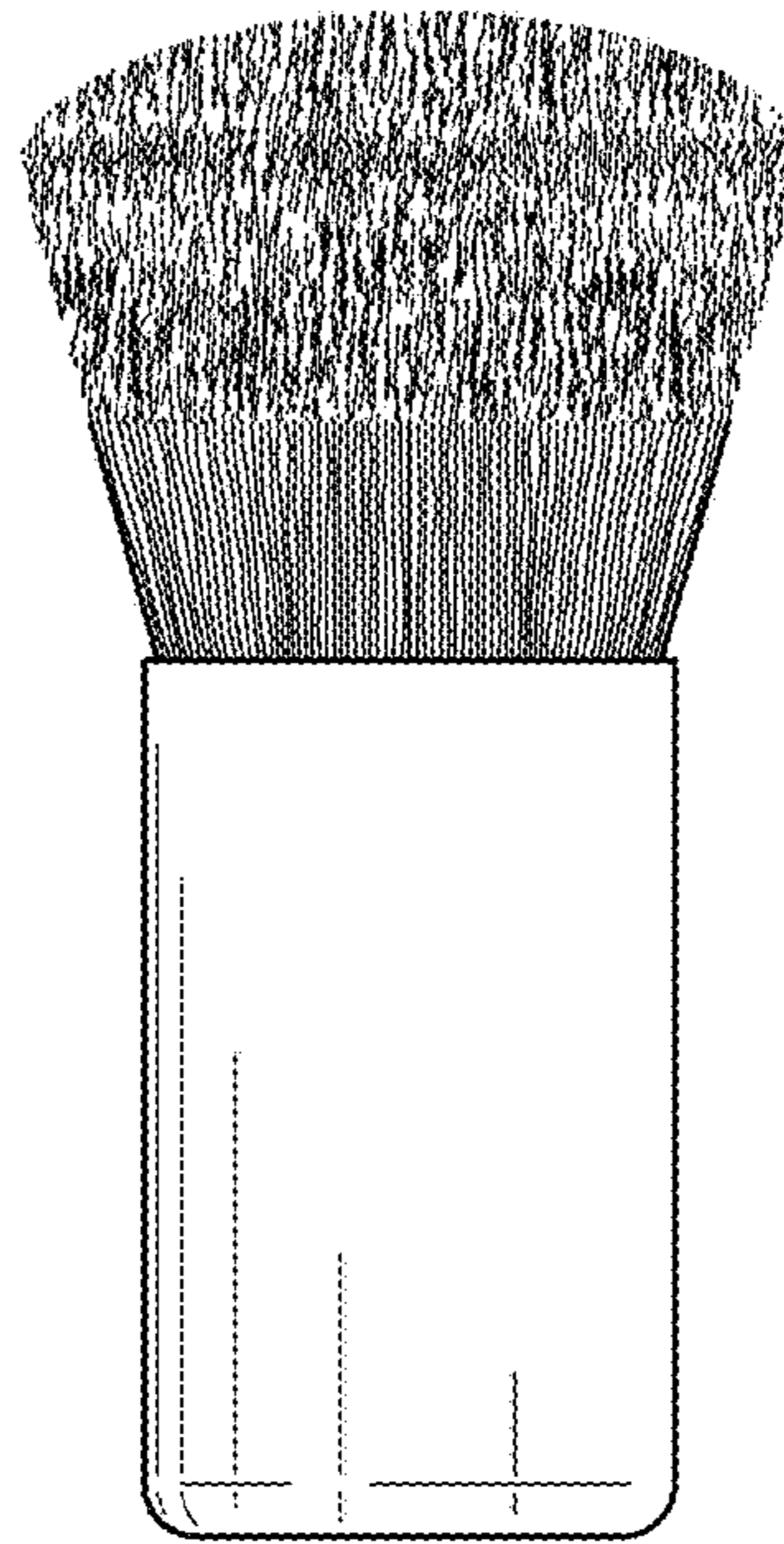


FIG. 5

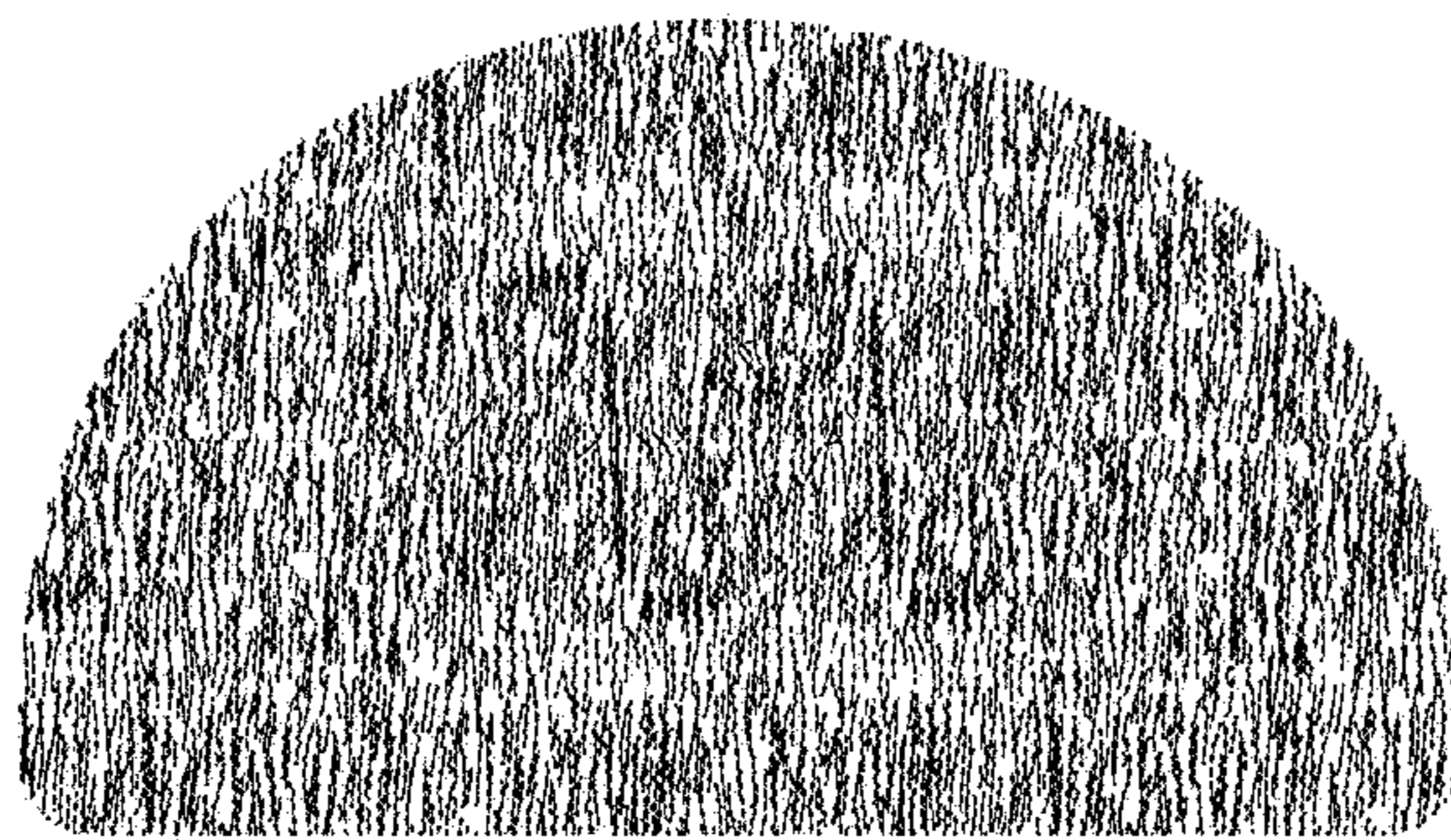


FIG. 6

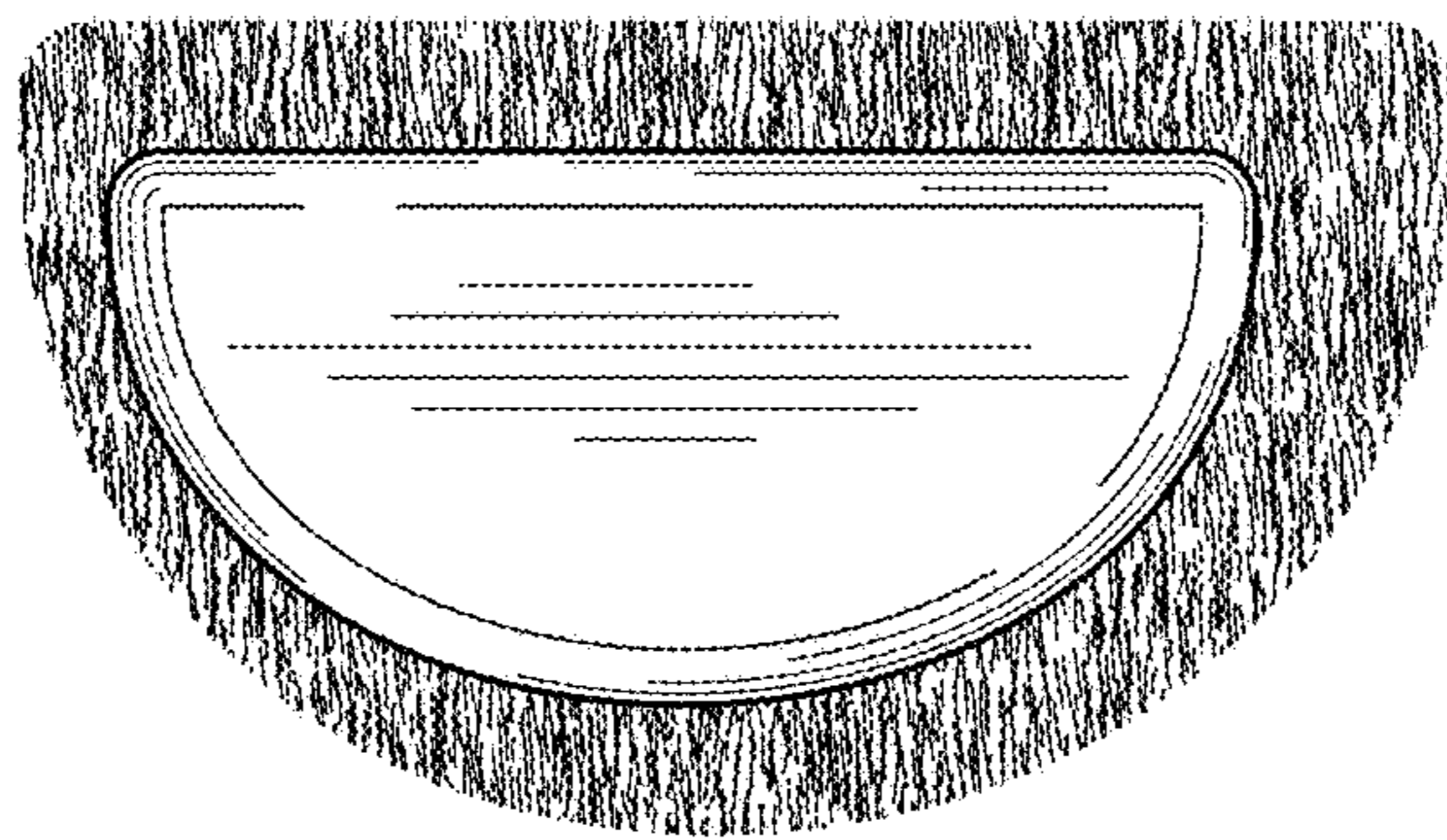


FIG. 7