



US00D825192S

(12) **United States Design Patent** (10) **Patent No.:** **US D825,192 S**  
**Duvall** (45) **Date of Patent:** **\*\* Aug. 14, 2018**

(54) **BACK INVIGORATOR BRUSH**

(71) Applicant: **Jim Duvall**, Alpharetta, GA (US)

(72) Inventor: **Jim Duvall**, Alpharetta, GA (US)

(73) Assignee: **The Boulevard Group, LLC**,  
Alpharetta, GA (US)

(\*\*) Term: **15 Years**

(21) Appl. No.: **29/622,614**

(22) Filed: **Oct. 18, 2017**

(51) **LOC (11) Cl.** ..... **04-99**

(52) **U.S. Cl.**  
USPC ..... **D4/134; D4/132**

(58) **Field of Classification Search**  
USPC ..... D4/116, 118, 129, 130, 131, 132, 134,  
D4/136, 138; D28/63, 64.1, 64.3, 64.4,  
D28/91.2

(Continued)

(56) **References Cited**

**U.S. PATENT DOCUMENTS**

1,097,630 A \* 5/1914 Hollingsworth ... A46B 11/0041  
285/242

D77,115 S \* 12/1928 Mowry ..... D28/7  
(Continued)

**OTHER PUBLICATIONS**

Wayback Machine—Adjustable Scrubber, announced Oct. 6, 2016  
[online], [site visited Jun. 21, 2018]. Available from internet, URL:  
<<https://web.archive.org/web/20161006031021/http://en.unikia.com/metimespa/>> (Year: 2016).\*

(Continued)

*Primary Examiner* — Keli L Hill  
*Assistant Examiner* — Karra S Johnson

(74) *Attorney, Agent, or Firm* — Dennen IP Law, LLC

(57) **CLAIM**

I claim the ornamental design for a back invigorator brush,  
as shown and described herein.

**DESCRIPTION**

FIG. 1 is a top perspective view of a back invigorator brush  
in accordance with the present disclosure.

FIG. 2 is a bottom perspective view of the back invigorator  
brush depicted in FIG. 1.

FIG. 3 is a brush end view of the back invigorator brush  
depicted in FIG. 1.

FIG. 4 is a side view of the back invigorator brush depicted  
in FIG. 1.

FIG. 5 is a handle end view of the back invigorator brush  
depicted in FIG. 1.

FIG. 6 is an opposing side view of FIG. 4 of the back  
invigorator brush depicted in FIG. 1.

FIG. 7 is a back view of the back invigorator brush depicted  
in FIG. 1.

FIG. 8 is a front view of the back invigorator brush depicted  
in FIG. 1.

FIG. 9 is a top perspective view showing the back invigo-  
rator brush depicted in FIG. 1 collapsed.

FIG. 10 is a bottom perspective view showing the back  
invigorator brush depicted in FIG. 1 collapsed.

FIG. 11 is a brush end view of the back invigorator brush  
collapsed as depicted in FIG. 9.

FIG. 12 is a side view of the back invigorator brush  
collapsed as depicted in FIG. 9.

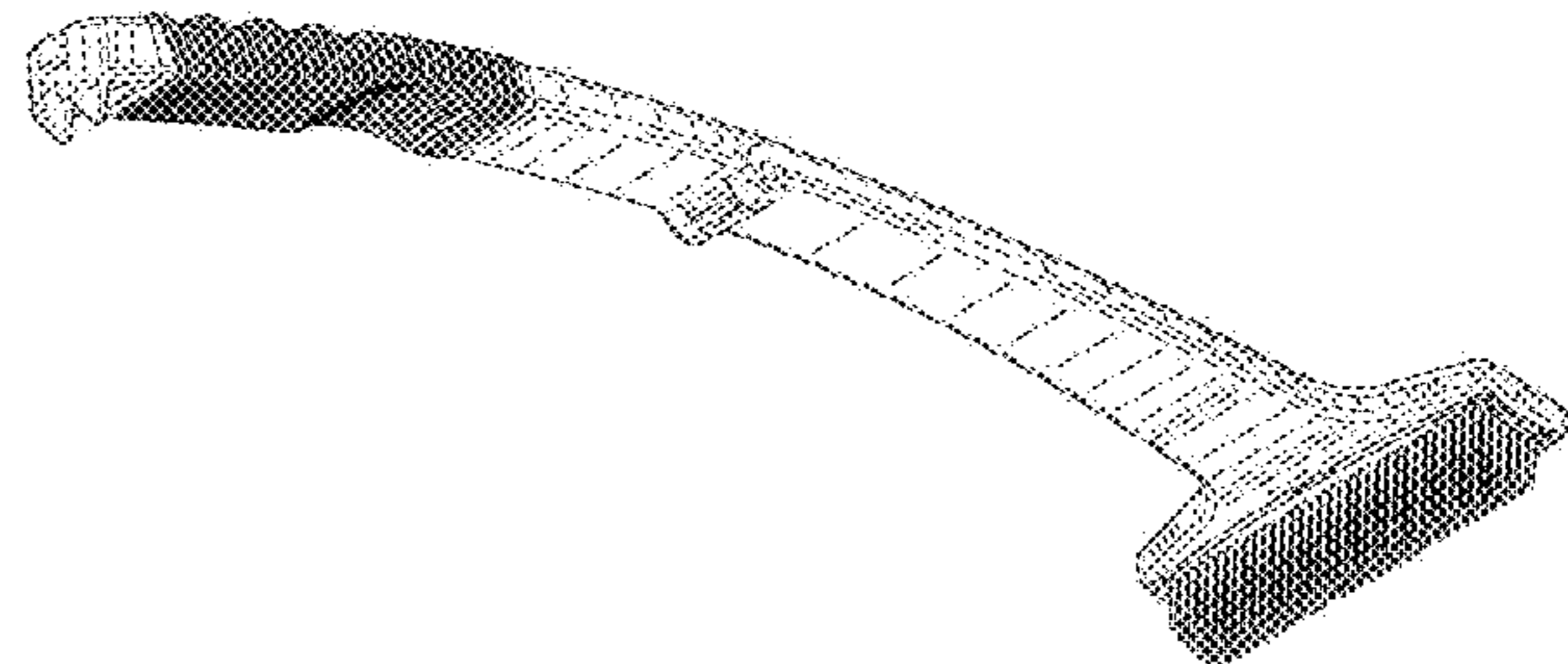
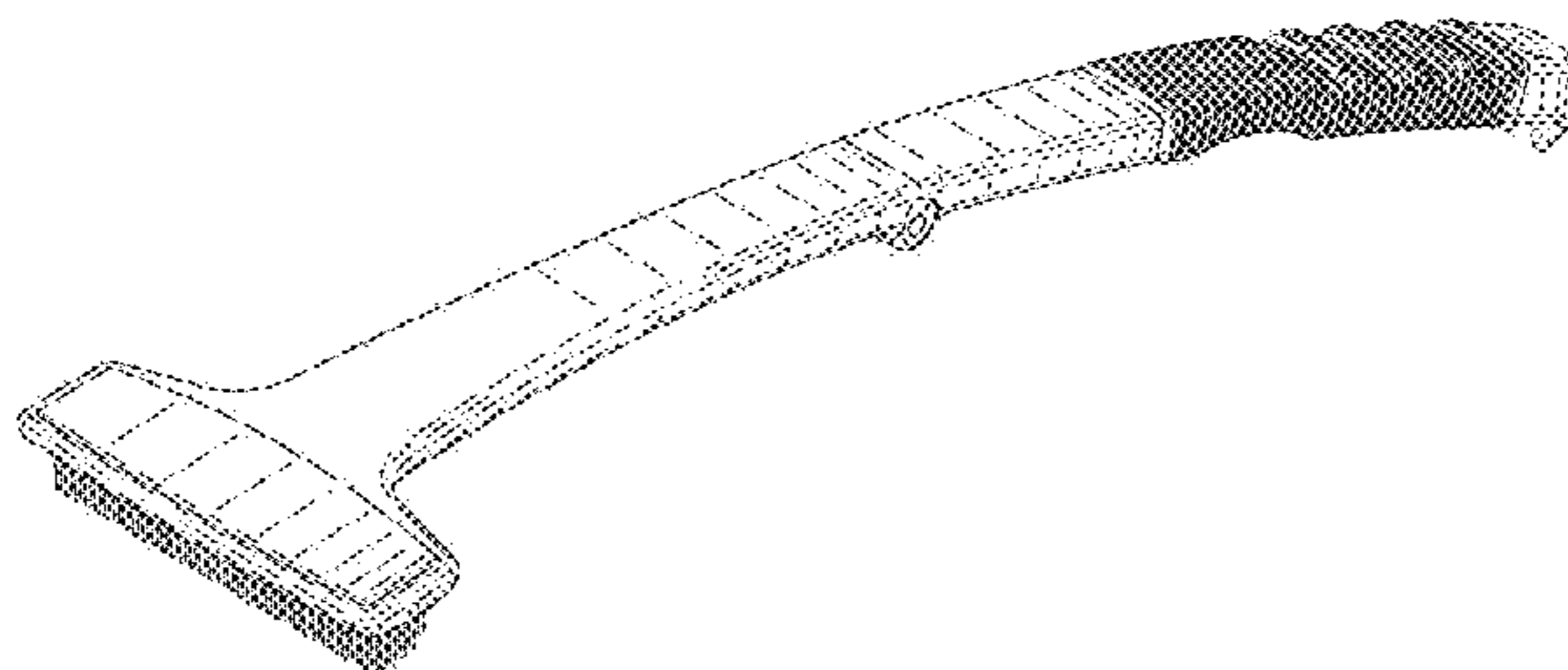
FIG. 13 is a hinge end view of the back invigorator brush  
collapsed as depicted in FIG. 10.

FIG. 14 is a side view of the back invigorator brush  
collapsed as depicted in FIG. 10.

FIG. 15 is a top view of the back invigorator brush collapsed  
as depicted in FIG. 9; and,

FIG. 16 is a bottom view of the back invigorator brush  
collapsed as depicted in FIG. 9.

**1 Claim, 8 Drawing Sheets**



(58) **Field of Classification Search**

CPC ..... A45D 24/14; A45D 24/16; A46B 3/005;  
 A46B 5/00; A46B 5/02; A46B 5/021;  
 A46B 9/02; A46B 9/021; A46B 9/023;  
 A46B 13/001; A46B 13/008; A46B  
 15/0055; A46B 15/0081; A46B 15/0087;  
 A46B 17/02; A46B 2200/30; A46B  
 2200/104; A46B 2200/106; A46B  
 2200/202; A46B 2200/205; A46B  
 2200/207; A46B 2200/304; A46B  
 2200/1006; A46B 2200/1046; A46B  
 2200/1053; A46B 2200/3006; A46B  
 2200/3033; A46B 2200/3093

See application file for complete search history.

(56) **References Cited**

U.S. PATENT DOCUMENTS

D222,794 S \* 1/1972 Vallis ..... D4/138  
 4,206,547 A \* 6/1980 Tanaka ..... A61C 3/08  
 433/141  
 D307,963 S \* 5/1990 Newman, Sr. .... D32/41  
 D318,157 S \* 7/1991 Perior ..... D32/41  
 D332,153 S \* 12/1992 Butler ..... D28/7  
 D346,496 S \* 5/1994 Berghash ..... D4/108  
 D360,505 S \* 7/1995 Goodman ..... D32/41  
 D375,816 S \* 11/1996 Long-Langworthy ..... D28/63  
 D379,230 S \* 5/1997 Mark ..... D24/152  
 D410,788 S \* 6/1999 Rangel ..... D4/104

D416,645 S \* 11/1999 Spudeno ..... D28/7  
 D434,564 S \* 12/2000 Harada ..... D4/110  
 D453,599 S \* 2/2002 Backman ..... D32/49  
 D463,669 S \* 10/2002 Chih ..... D4/115  
 D483,536 S \* 12/2003 Martin ..... D28/18  
 D544,775 S \* 6/2007 Cybulski ..... D8/300  
 D588,767 S \* 3/2009 Libman ..... D32/41  
 D593,755 S \* 6/2009 Mendez ..... D4/118  
 D597,315 S \* 8/2009 Hoffelner ..... D4/118  
 D685,550 S \* 7/2013 Tronconi ..... D32/40  
 D703,406 S \* 4/2014 Meyer ..... D32/41  
 D709,757 S \* 7/2014 Yang ..... D8/395  
 D715,061 S \* 10/2014 Schouten ..... D4/133  
 2017/0340188 A1 \* 11/2017 Rylands ..... A47L 13/08

OTHER PUBLICATIONS

Wayback Machine—Back Scratcher, announced Jun. 21, 2018 [online], [visited Jun. 21, 2018]. From internet, URL: <<https://web.archive.org/web/20180621154135/https://www.aliexpress.com/item/Adjustable-Back-Scratcher-Massager-Claw-bent-Stick-Shoulder-Full-Body-Head-Brush-Massager-practical/32820087427.html>> (Year: 2018).\*

Wayback Machine—Bath Brush, announced Jun. 21, 2018 [online], [site visited Jun. 21, 2018]. Available from internet, URL: <<https://web.archive.org/web/20180621154048/https://www.aliexpress.com/item/Bath-Brush-3-in-1-Long-Handle-Foldable-Body-Shower-Cleaning-Brush-for-Back-Scrub-Skin/32847612478.html>> (Year: 2018).\*

\* cited by examiner

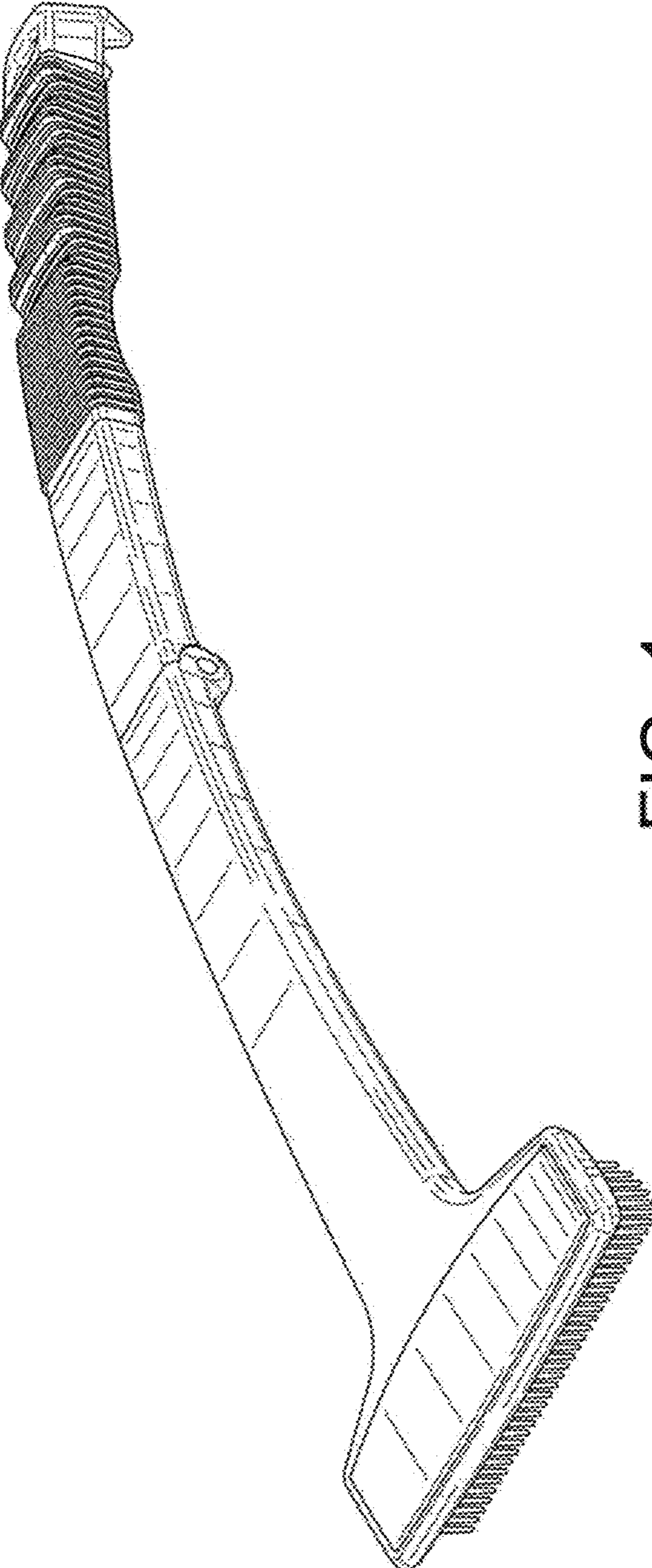


FIG. 1

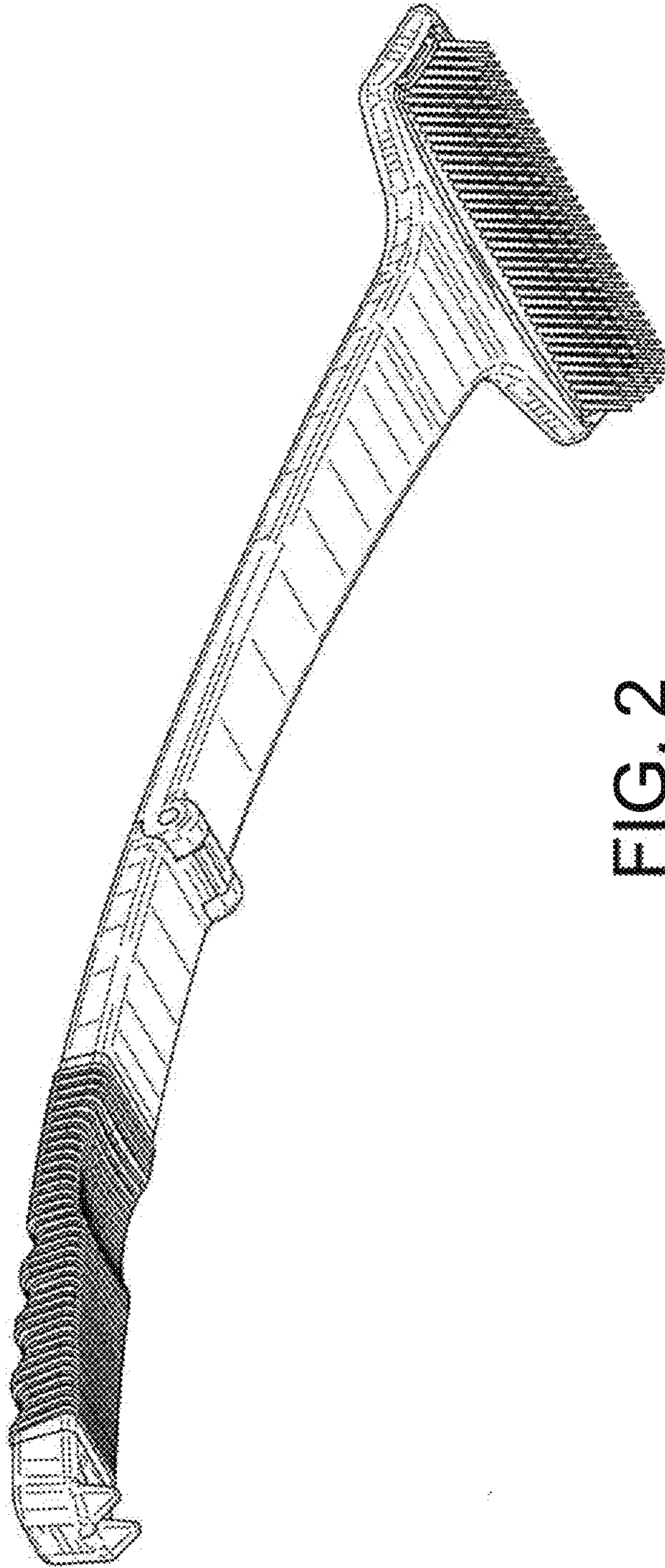


FIG. 2

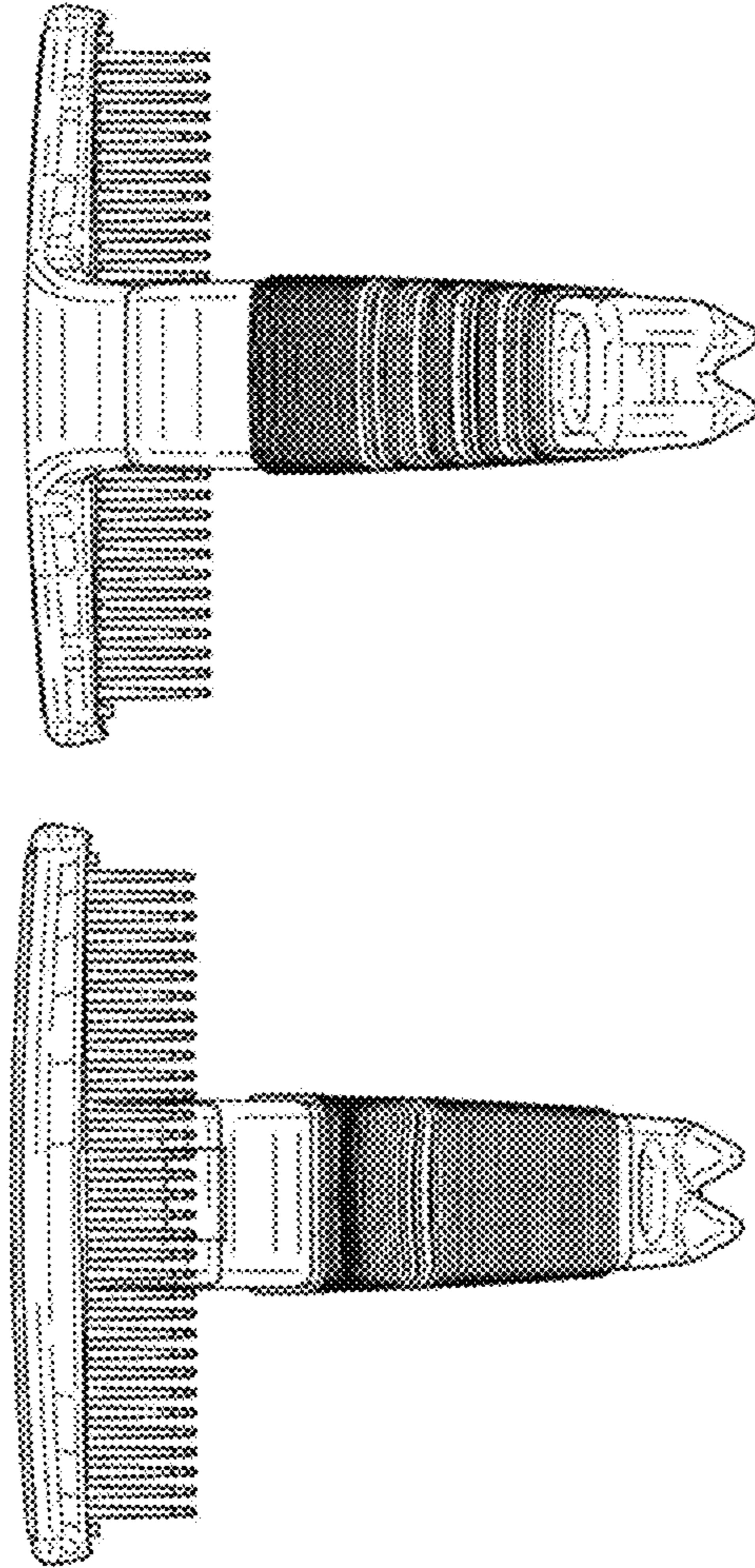


FIG. 3

FIG. 5

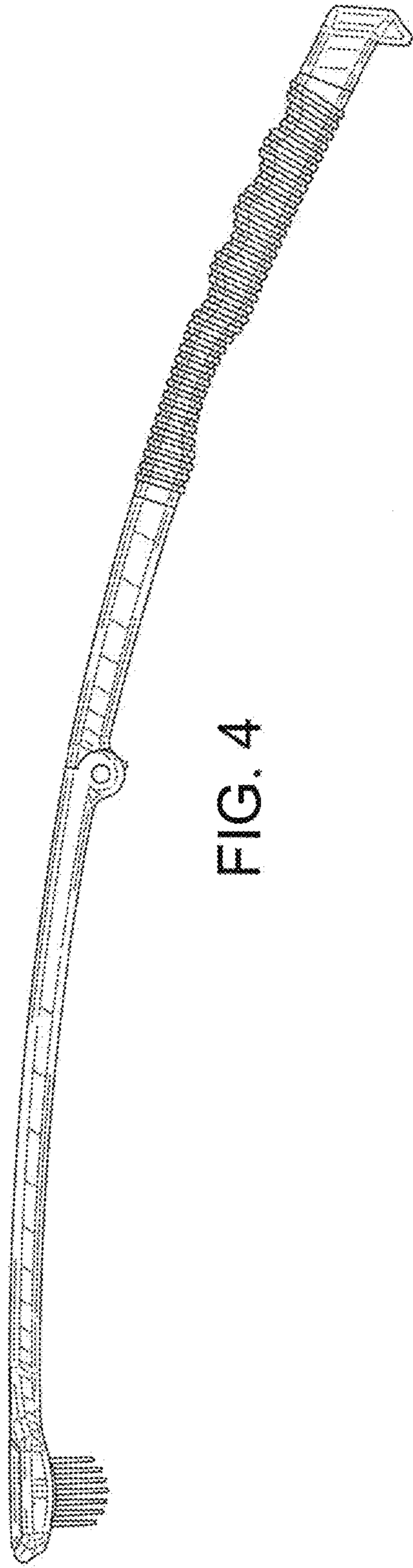


FIG. 4

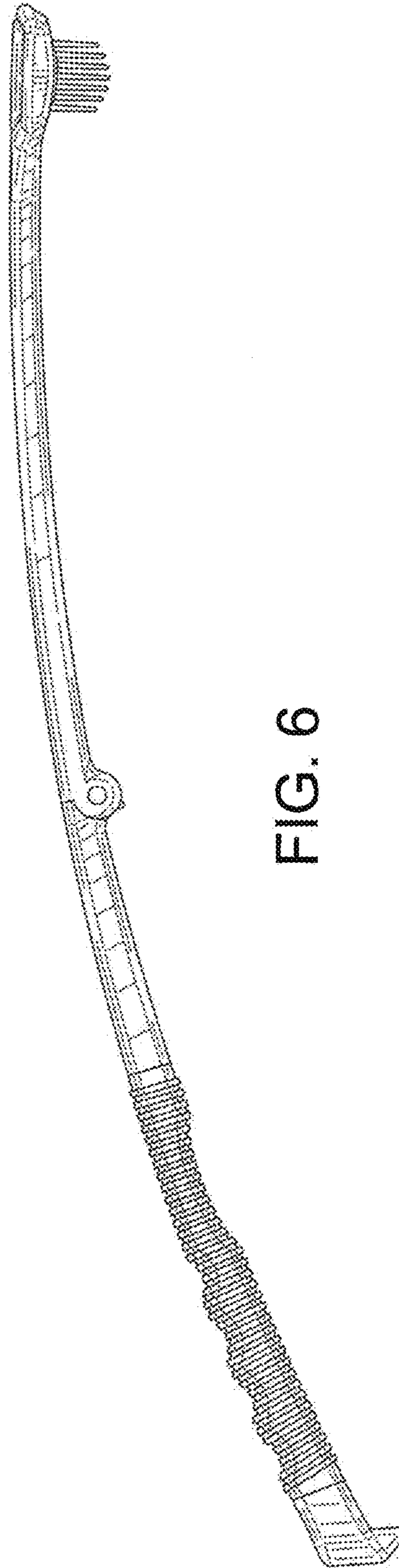


FIG. 6

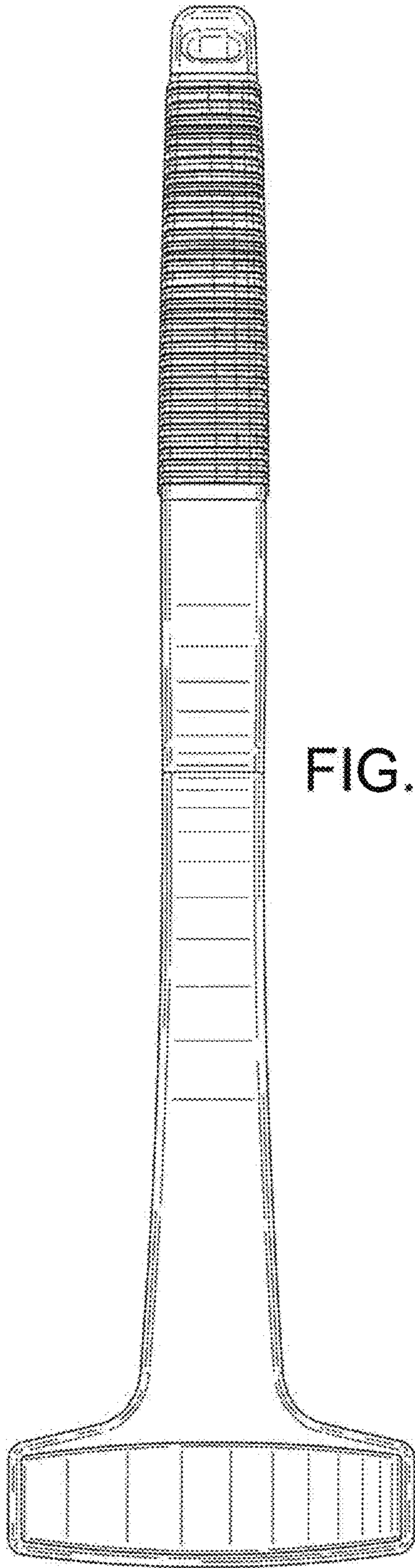


FIG. 7

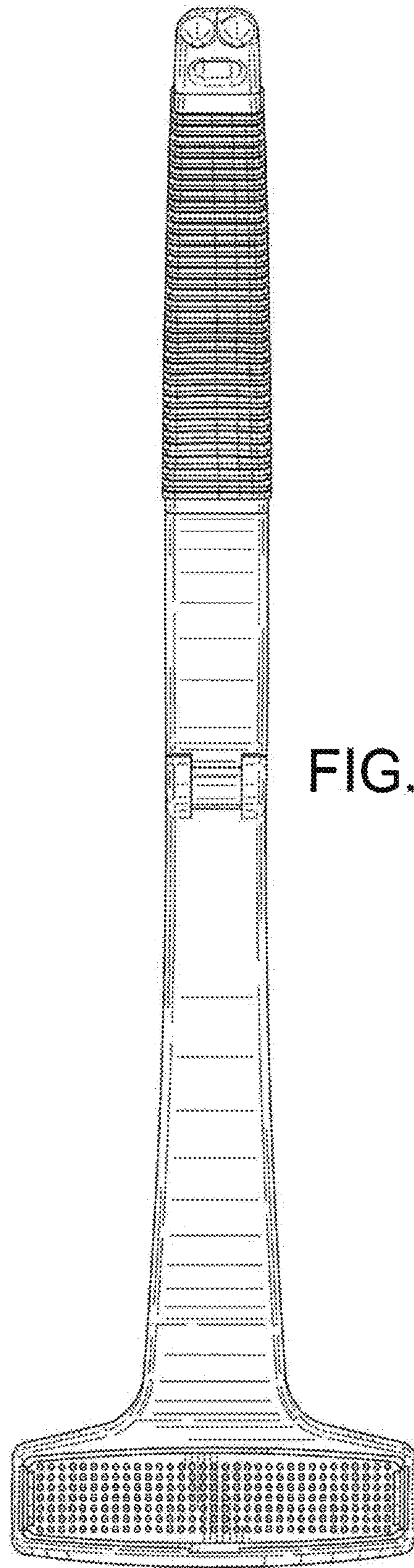


FIG. 8

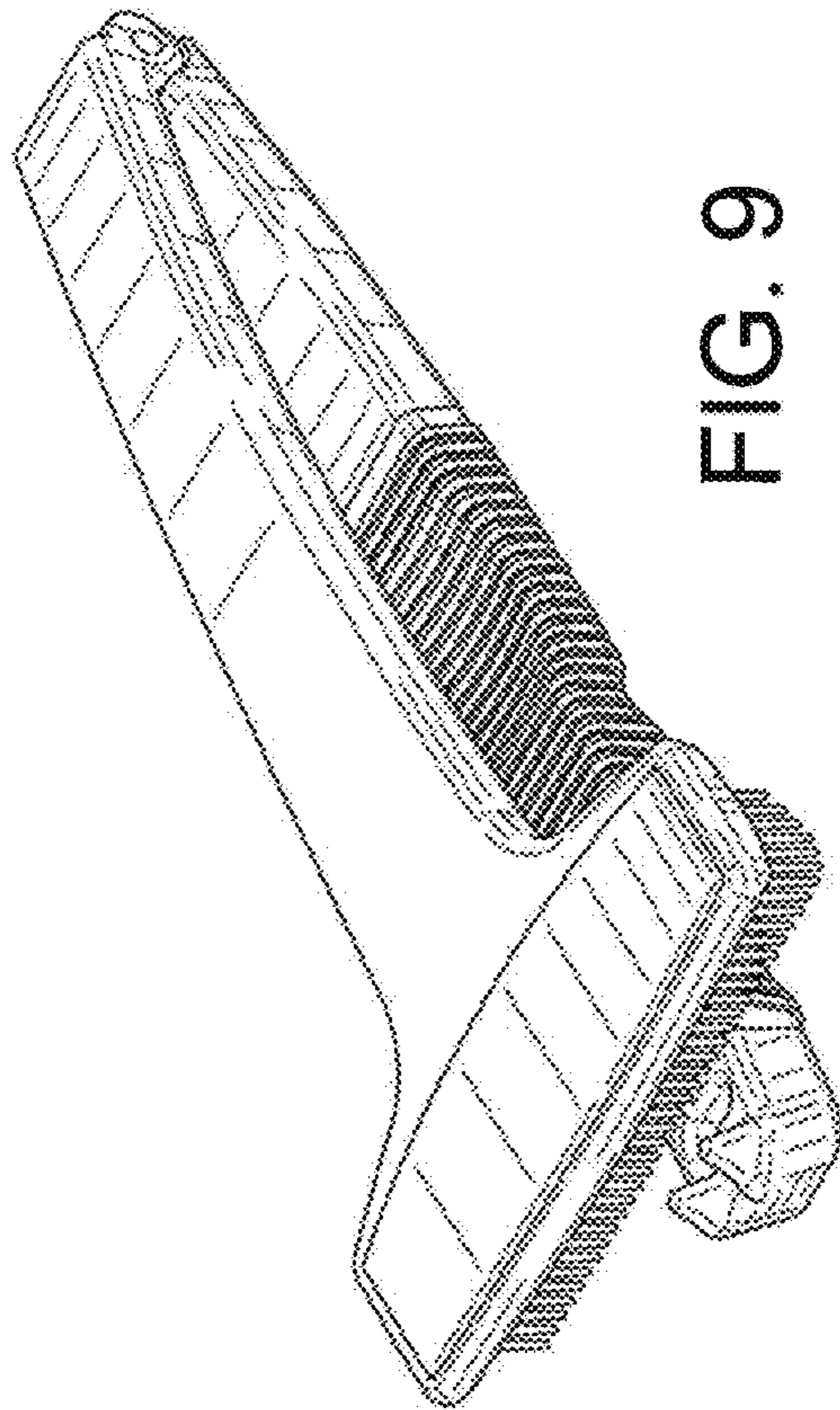


FIG. 9

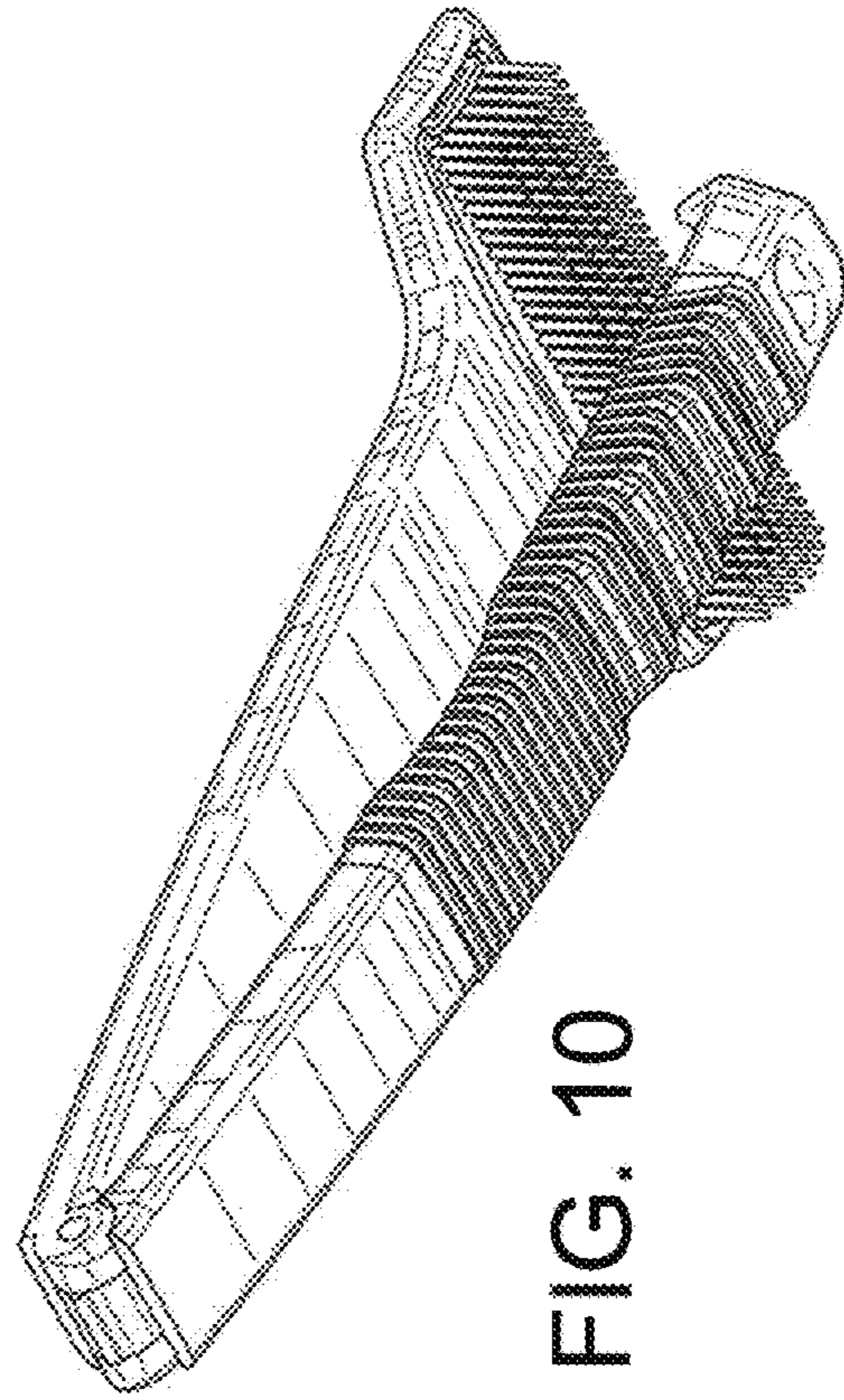


FIG. 10





FIG. 13

FIG. 11

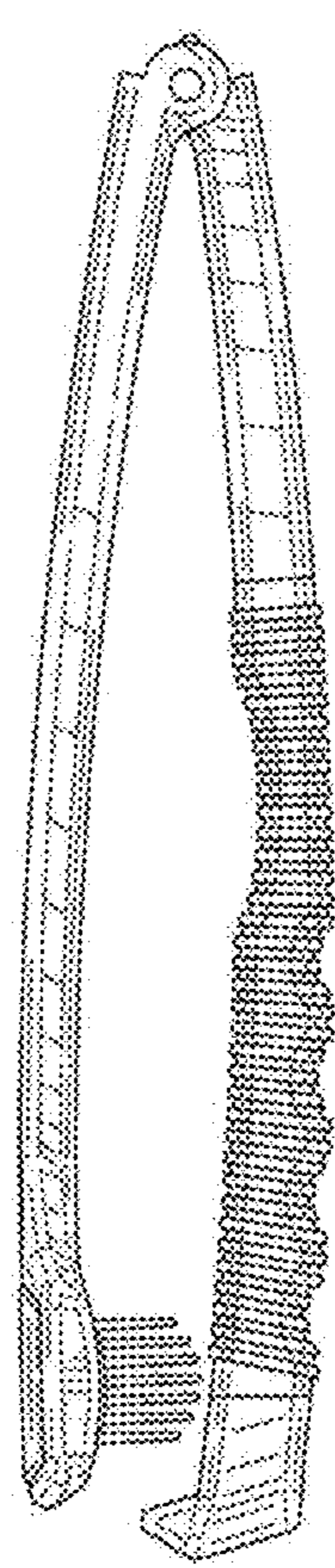


FIG. 12

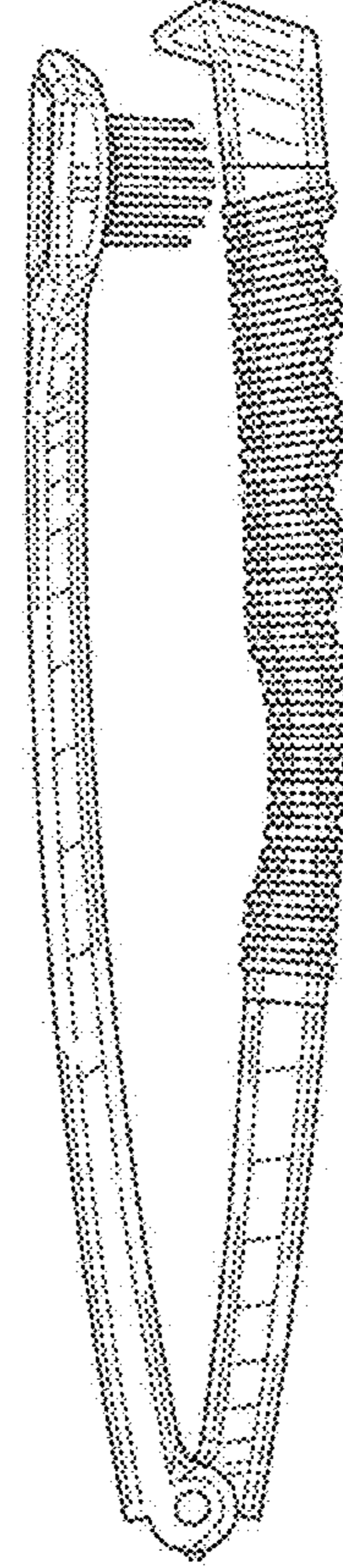


FIG. 14

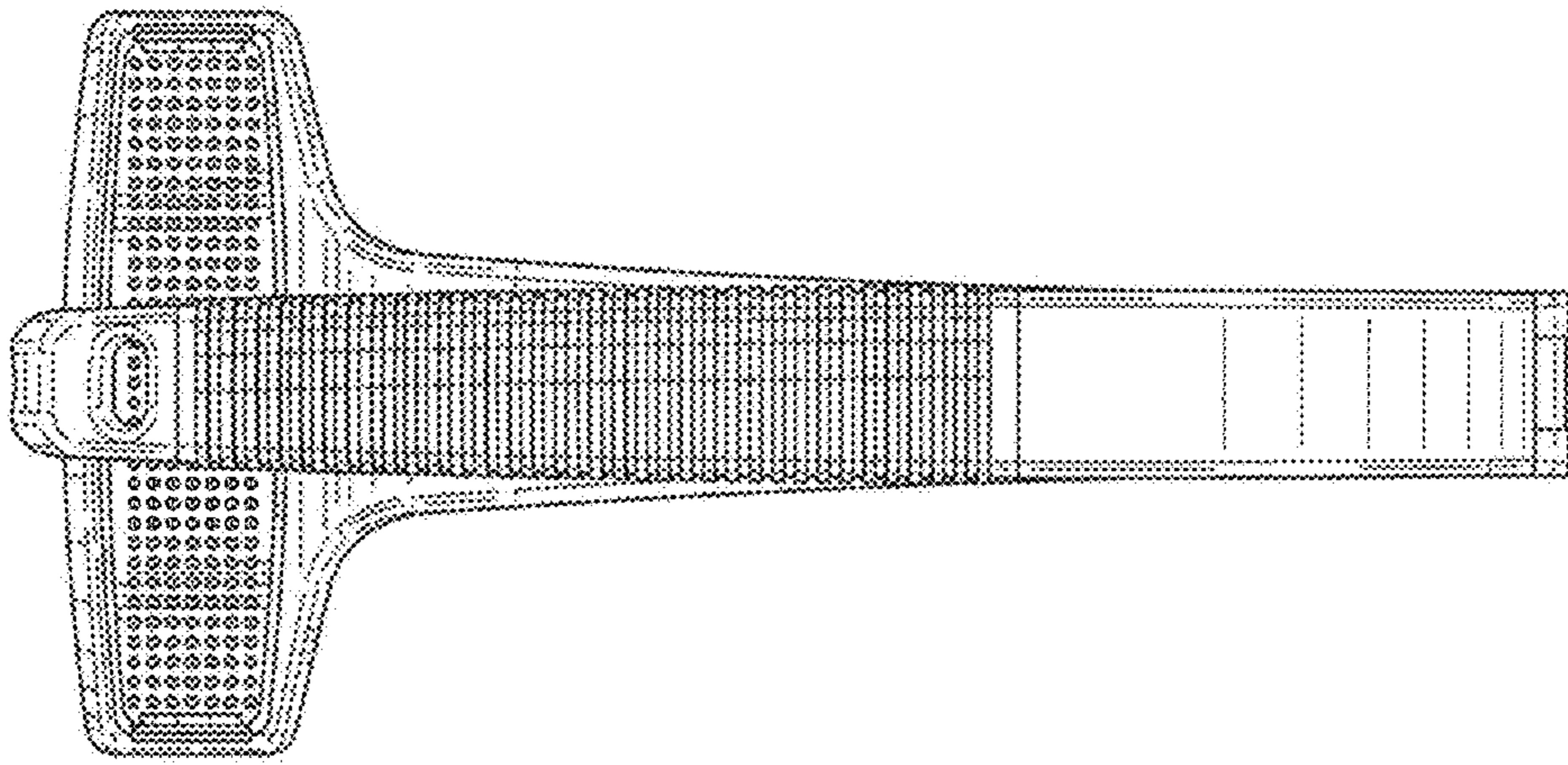


FIG. 16

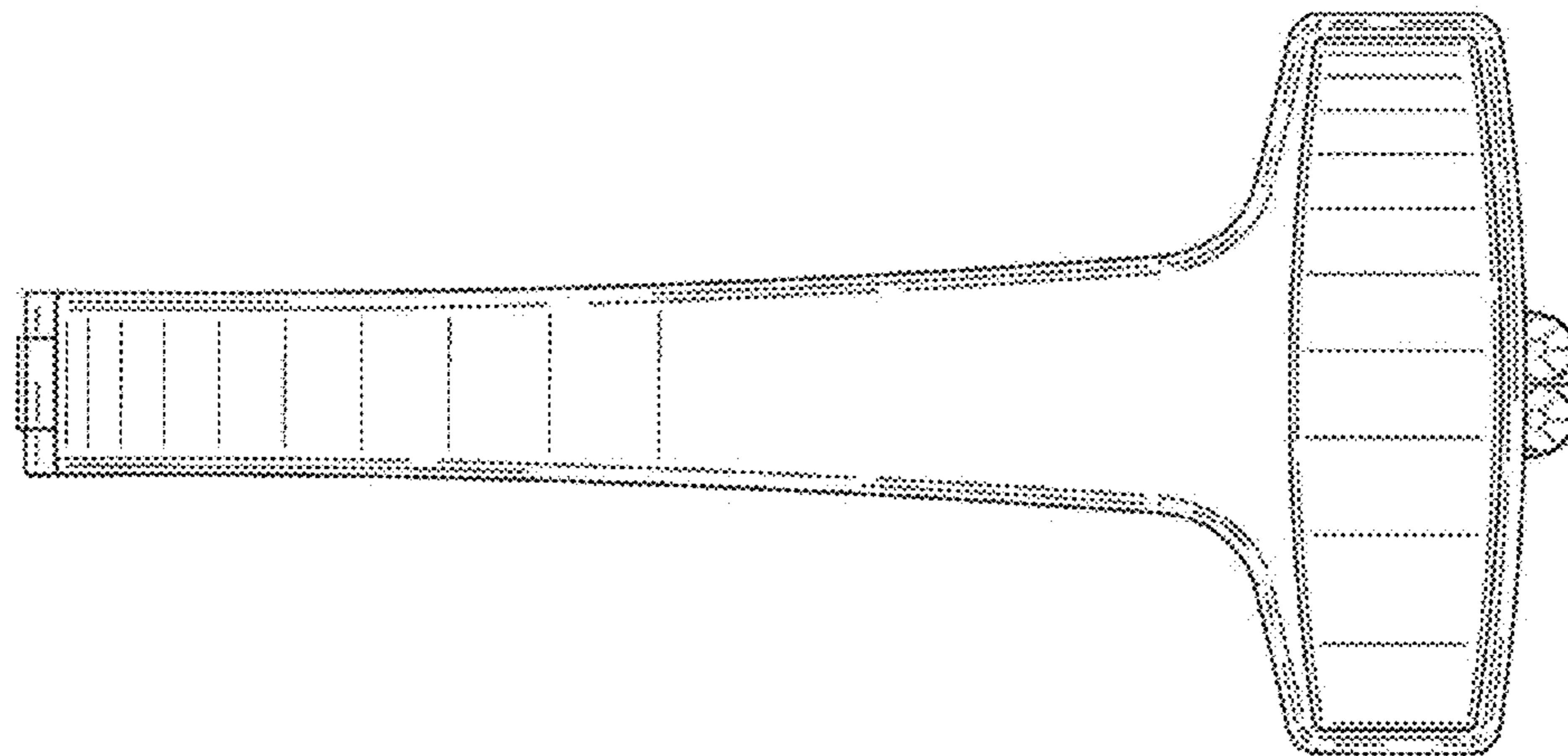


FIG. 15