

US00D825188S

(12) **United States Design Patent** (10) **Patent No.:** **US D825,188 S**  
**Luo** (45) **Date of Patent:** **\*\* Aug. 14, 2018**

(54) **CLEANING BRUSH**  
(71) Applicant: **Yujian Luo**, Chongqing (CN)  
(72) Inventor: **Yujian Luo**, Chongqing (CN)  
(\*\*) Term: **15 Years**  
(21) Appl. No.: **29/609,939**  
(22) Filed: **Jul. 7, 2017**

(30) **Foreign Application Priority Data**

May 16, 2017 (CN) ..... 2017 3 0180546

(51) **LOC (11) Cl.** ..... **04-02**  
(52) **U.S. Cl.**  
USPC ..... **D4/101**

(58) **Field of Classification Search**  
USPC ..... D4/101, 102, 107, 109, 111, 118, 121,  
D4/127, 128, 130, 132-135, 199;  
D24/146, 152, 176, 200, 211, 213, 214,  
D24/215; D28/4, 7, 99; 601/114  
CPC ..... A46B 13/00; A46B 13/001; A46B 13/02;  
A46B 13/023; A46B 15/00; A46B  
15/0045; A46B 15/0097; A46B 2200/00;  
A46B 2200/10; A46B 2200/1006; A46B  
2200/102; A46D 1/00  
See application file for complete search history.

(56) **References Cited**

U.S. PATENT DOCUMENTS

D549,964 S \* 9/2007 Roth ..... D4/102  
D601,803 S \* 10/2009 Reishus ..... D4/102  
D683,139 S \* 5/2013 Chikos ..... D4/102  
D713,150 S \* 9/2014 Maurin ..... D4/102  
D715,554 S \* 10/2014 Hosler ..... D4/102  
D715,555 S \* 10/2014 Hosler ..... D4/102  
D728,241 S \* 5/2015 Helmbold ..... D4/102  
D739,145 S \* 9/2015 von Berg ..... D4/102  
D750,893 S \* 3/2016 Owen ..... D4/100

D753,400 S \* 4/2016 Khoun ..... D4/102  
D757,953 S \* 5/2016 Philips ..... D24/200  
D759,256 S \* 6/2016 Chen ..... D24/200  
D767,897 S \* 10/2016 Hosler ..... D4/102  
D781,588 S \* 3/2017 Lee ..... D4/102  
D803,572 S \* 11/2017 Nichols ..... D4/102  
D804,826 S \* 12/2017 Kling ..... D4/127  
D805,305 S \* 12/2017 Wang ..... D4/100  
D816,344 S \* 5/2018 Tai ..... D4/100  
D816,345 S \* 5/2018 Tai ..... D4/100  
D819,338 S \* 6/2018 Xiong ..... D4/102  
2005/0278877 A1\* 12/2005 Akridge ..... A46B 13/008  
15/28  
2013/0023806 A1\* 1/2013 Ungemach ..... A61H 7/005  
601/114

(Continued)

FOREIGN PATENT DOCUMENTS

EP 2886098 A1 \* 6/2015 ..... A46B 13/008  
JP 2017196118 A \* 11/2017 ..... A46B 5/0095

*Primary Examiner* — Wan Laymon  
*Assistant Examiner* — Clint A Samuel

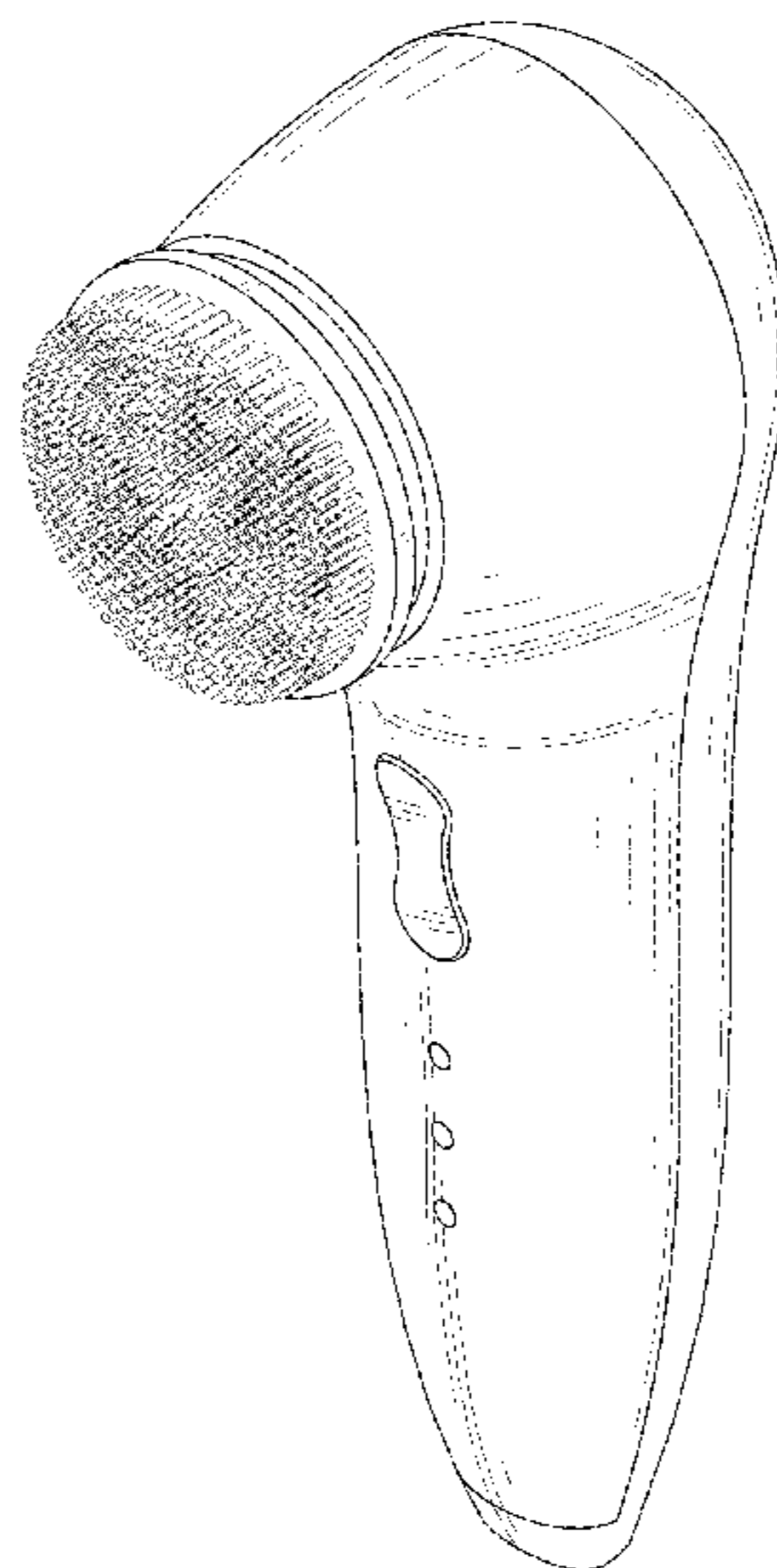
(57) **CLAIM**

The ornamental design for a cleaning brush, as shown and described.

**DESCRIPTION**

FIG. 1 is a perspective view of the cleaning brush showing my new design;  
FIG. 2 is similar to FIG. 1, viewed from another aspect;  
FIG. 3 is a front elevational view thereof;  
FIG. 4 is a rear elevational view thereof;  
FIG. 5 is a left side elevational view thereof;  
FIG. 6 is a right side elevational view thereof;  
FIG. 7 is a top plan view thereof; and,  
FIG. 8 is a bottom plan view thereof.  
The broken lines are for the purposes of illustrating portions of the cleaning brush and form no part of the claimed design.

**1 Claim, 8 Drawing Sheets**



(56)

**References Cited**

U.S. PATENT DOCUMENTS

2014/0367131 A1\* 12/2014 Grez ..... A46B 13/00  
173/6  
2015/0189980 A1\* 7/2015 Hwang ..... A46B 13/008  
15/28  
2016/0183670 A1\* 6/2016 Brewer ..... A46B 9/021  
15/22.1  
2016/0331106 A1\* 11/2016 Khormaei ..... A46B 7/08  
2017/0202732 A1\* 7/2017 Nichols ..... A61H 23/02  
2018/0098615 A1\* 4/2018 George ..... A45D 40/262

\* cited by examiner

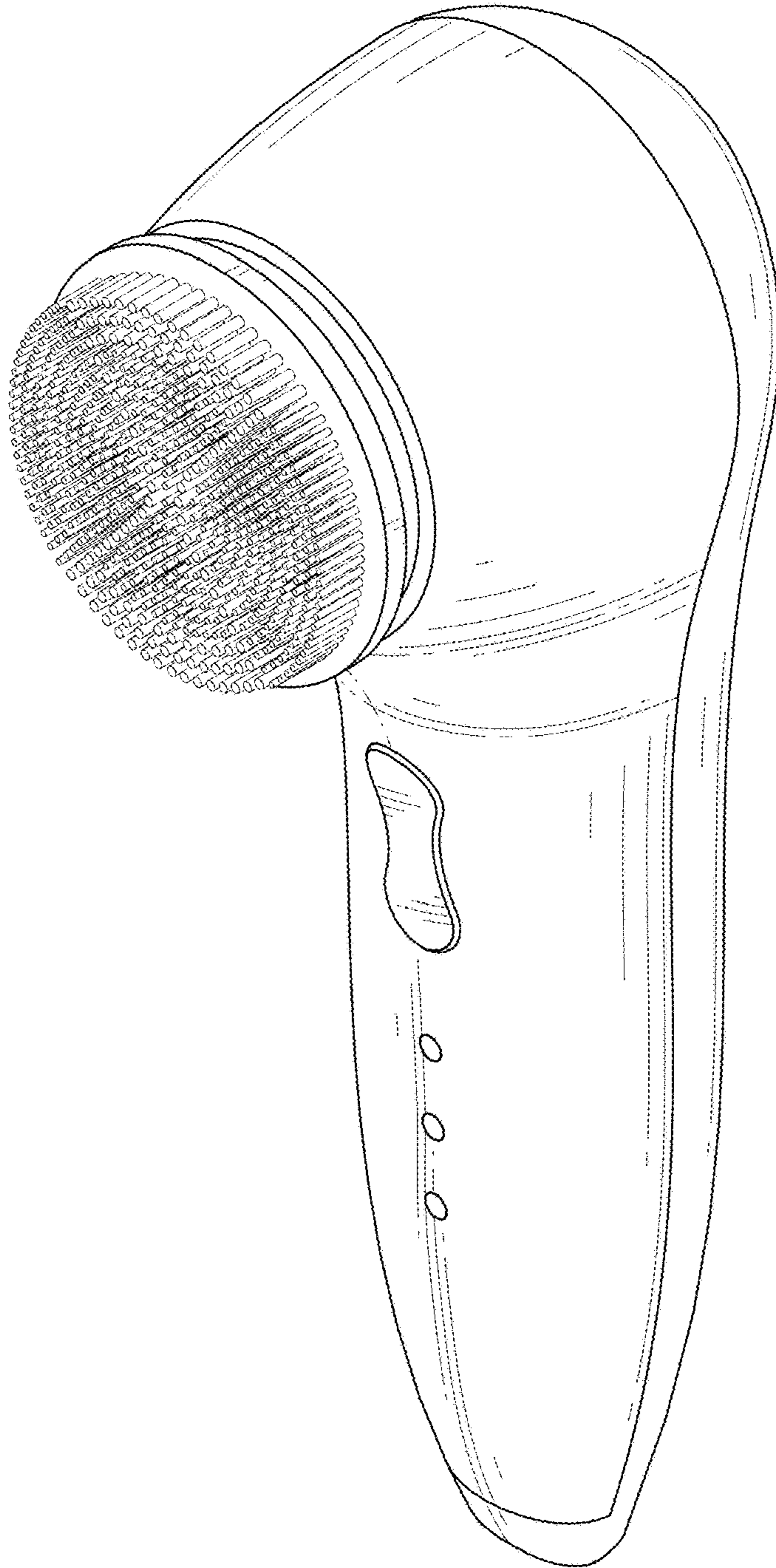


FIG. 1

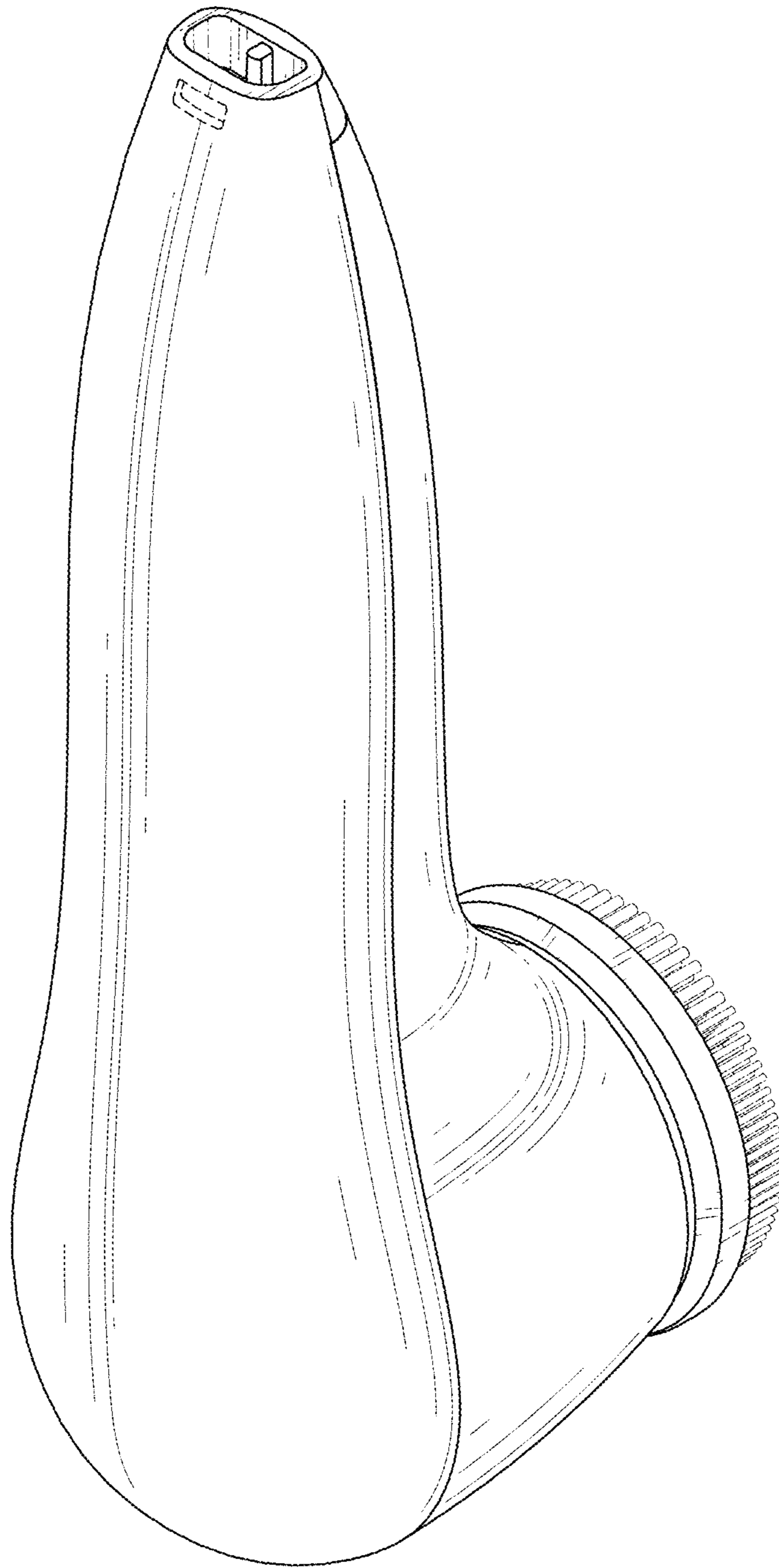


FIG. 2

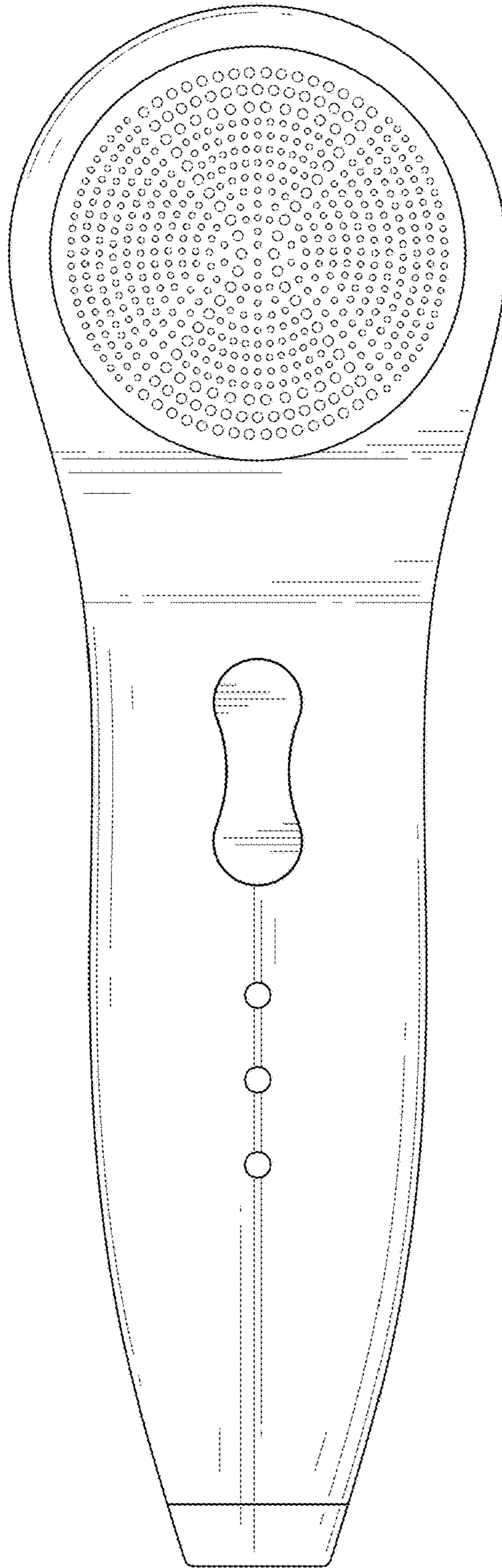


FIG. 3

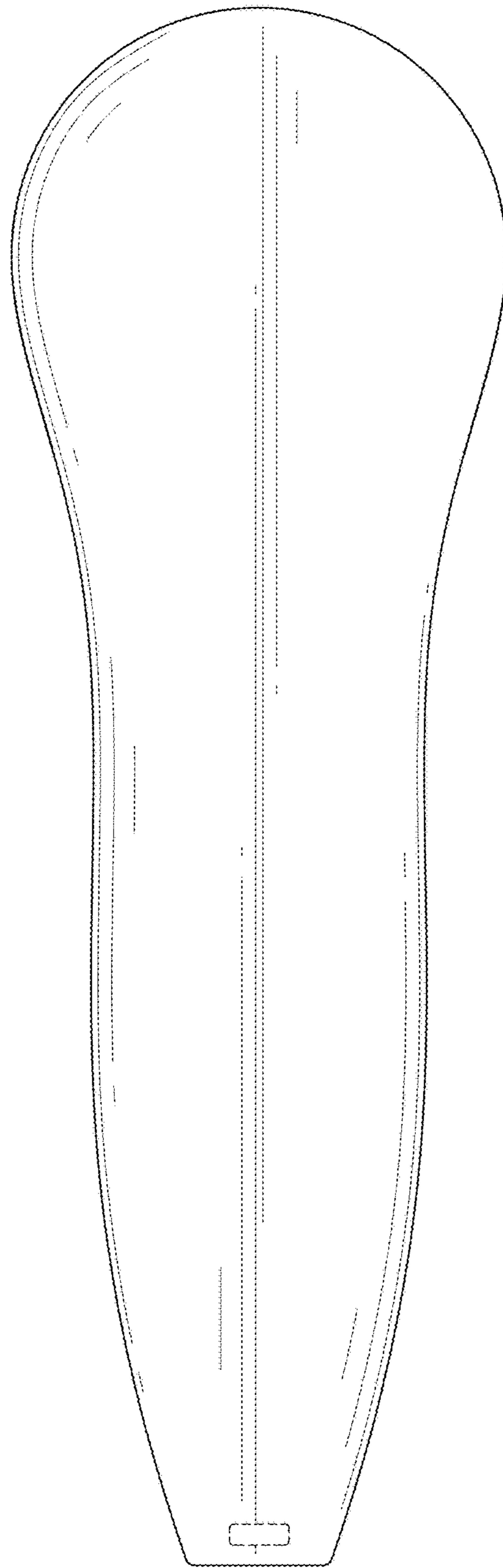


FIG. 4

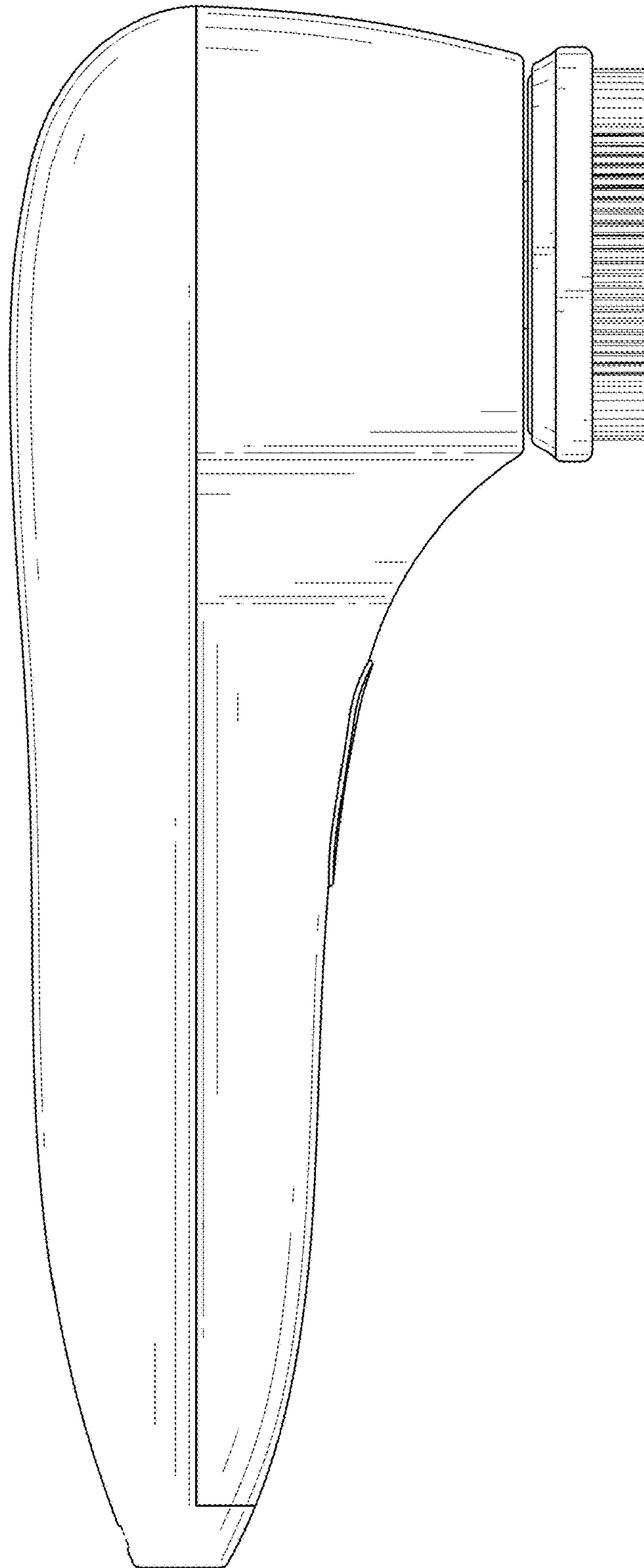


FIG. 5

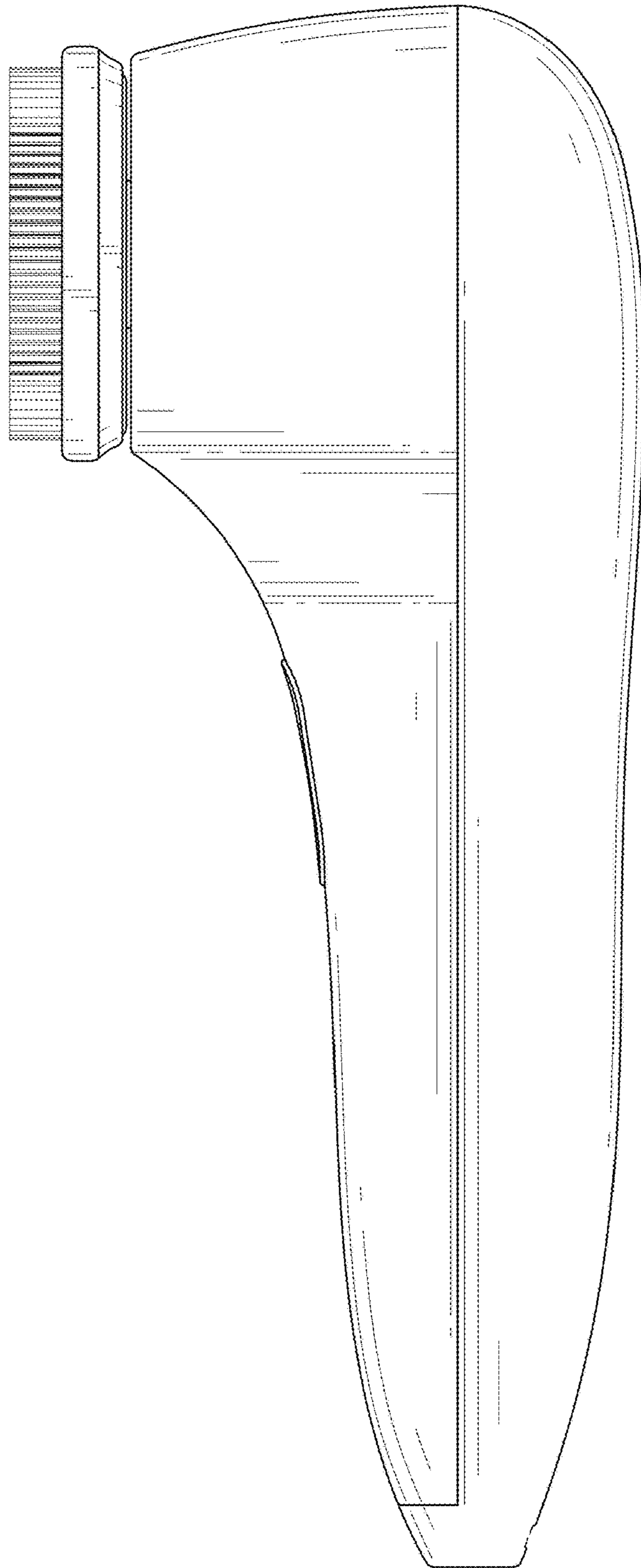


FIG. 6



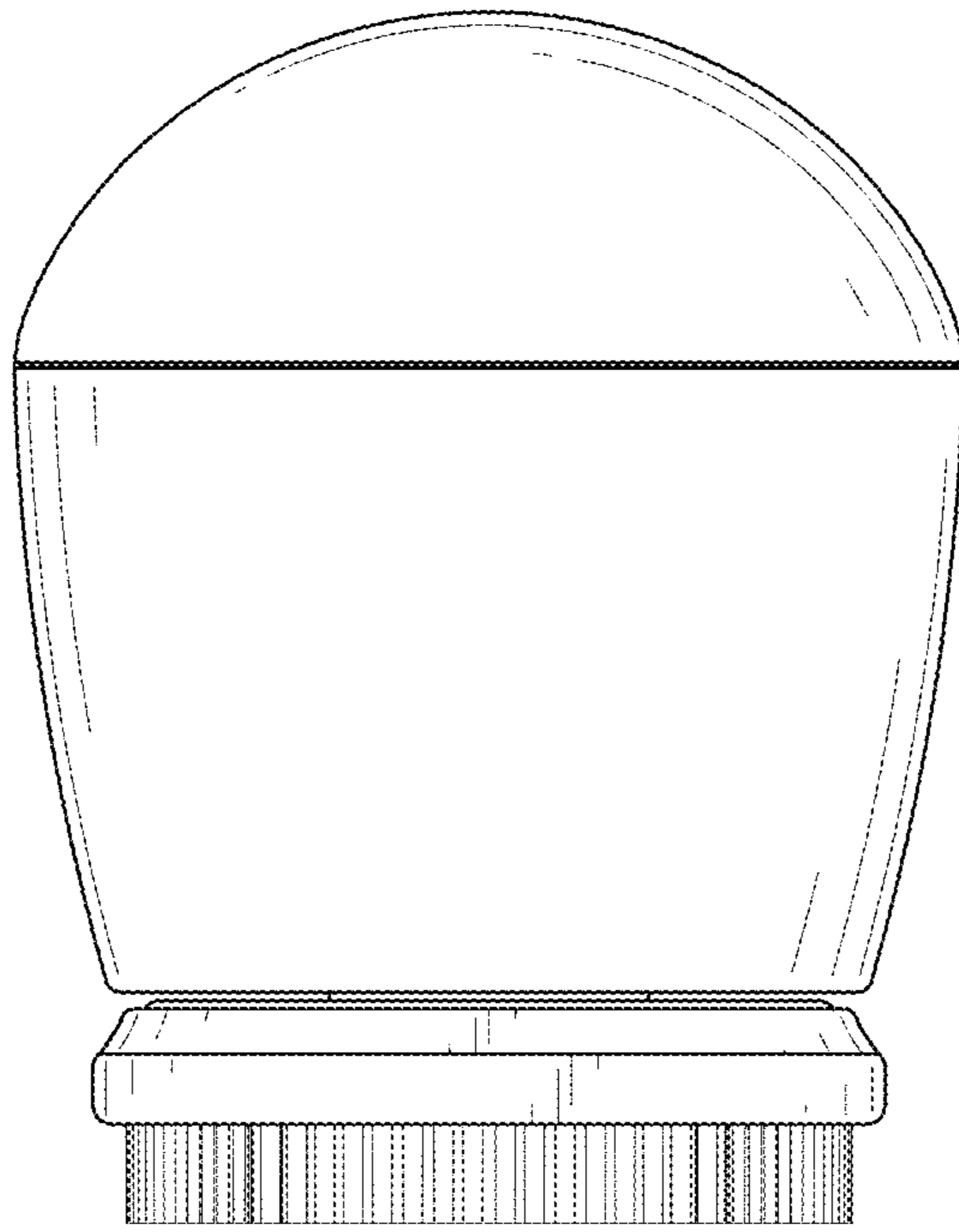


FIG. 7

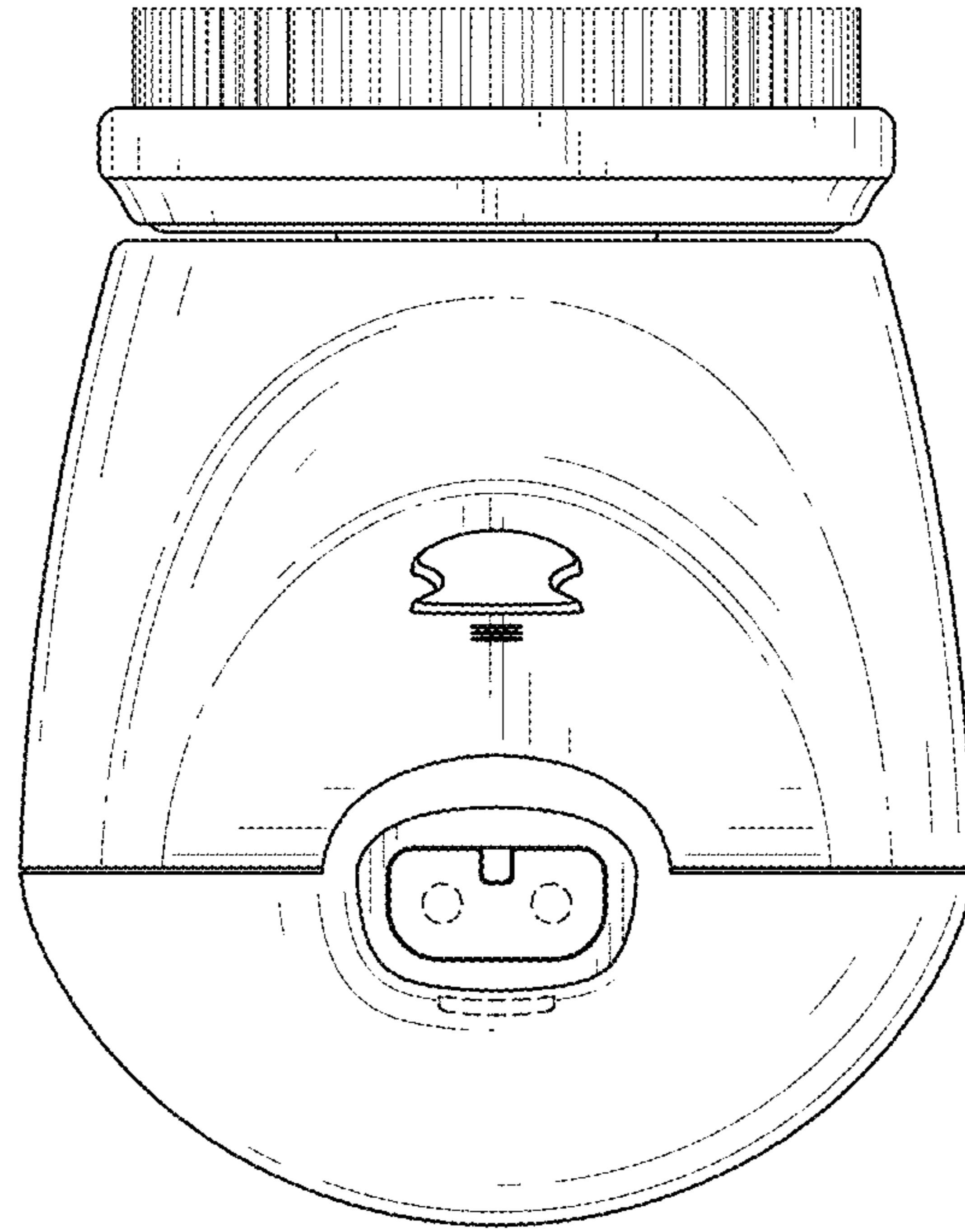


FIG. 8