



US00D825180S

(12) **United States Design Patent** (10) **Patent No.:** **US D825,180 S**
Galanti (45) **Date of Patent:** **** Aug. 14, 2018**

(54) **HANDBAG**
(71) Applicant: **J. Choo Limited**, London (GB)
(72) Inventor: **Carolina Galanti**, London (GB)
(73) Assignee: **J. Choo Limited**, London (GB)
(**) Term: **15 Years**

D749,850 S 2/2016 Kuster et al.
D758,718 S * 6/2016 Sassi D3/232
D778,600 S * 2/2017 Heyman D3/243
D785,935 S * 5/2017 Collison D3/245
D787,818 S 5/2017 Gerbelle
D790,852 S 7/2017 Gerbelle
D792,092 S * 7/2017 Vevers D3/243
D810,427 S * 2/2018 Lopez Montoya D3/243

(21) Appl. No.: **29/604,243**
(22) Filed: **May 16, 2017**

(30) **Foreign Application Priority Data**

Nov. 21, 2016 (EM) 003475870-0008

(51) **LOC (11) Cl.** **03-01**
(52) **U.S. Cl.**
USPC **D3/243**

(58) **Field of Classification Search**
USPC D3/201, 203.1, 203.6, 203.7, 213, 217,
D3/232, 235, 242, 243, 269, 273, 274,
D3/276, 283, 289, 290, 900, 902, 904,
D3/231, 327
CPC A45C 3/06; A45C 11/00; A45C 11/02;
A45C 3/00; A45C 2003/008
See application file for complete search history.

(56) **References Cited**

U.S. PATENT DOCUMENTS

D102,023 S * 11/1936 Manning D11/3
D452,073 S * 12/2001 Cassegrain D3/243
D578,754 S * 10/2008 Sassi D3/232
D614,866 S * 5/2010 Gerbi D3/243
D657,554 S * 4/2012 Dolce D3/232
D679,905 S * 4/2013 Shakouri D3/243
D716,557 S * 11/2014 Braun D3/327
D717,043 S * 11/2014 Pulliam D3/243
D723,273 S * 3/2015 Burritt D3/245
D747,096 S * 1/2016 Hannon D3/245

OTHER PUBLICATIONS

QVC, "Dooney & Bourke Nylon Print Madras Shopper", First reviewed on Mar. 7, 2014. (<http://www.qvc.com/Dooney-%26-Bourke-Nylon-Print-Madras-Shopper.product.A252408.html>).*
Poshmark, "Gently Used Coach Purse with Braided Straps!", Uploaded Oct. 7, 2017. (<https://poshmark.com/listing/Gently-Used-Coach-Purse-with-Braided-Straps-558a3b45d570411295009263>).*

(Continued)

Primary Examiner — Jennifer Rivard
Assistant Examiner — April Rivas
(74) *Attorney, Agent, or Firm* — Fross Zelnick Lehrman & Zissu, P.C.; Lawrence E. Apolzon, Esq.

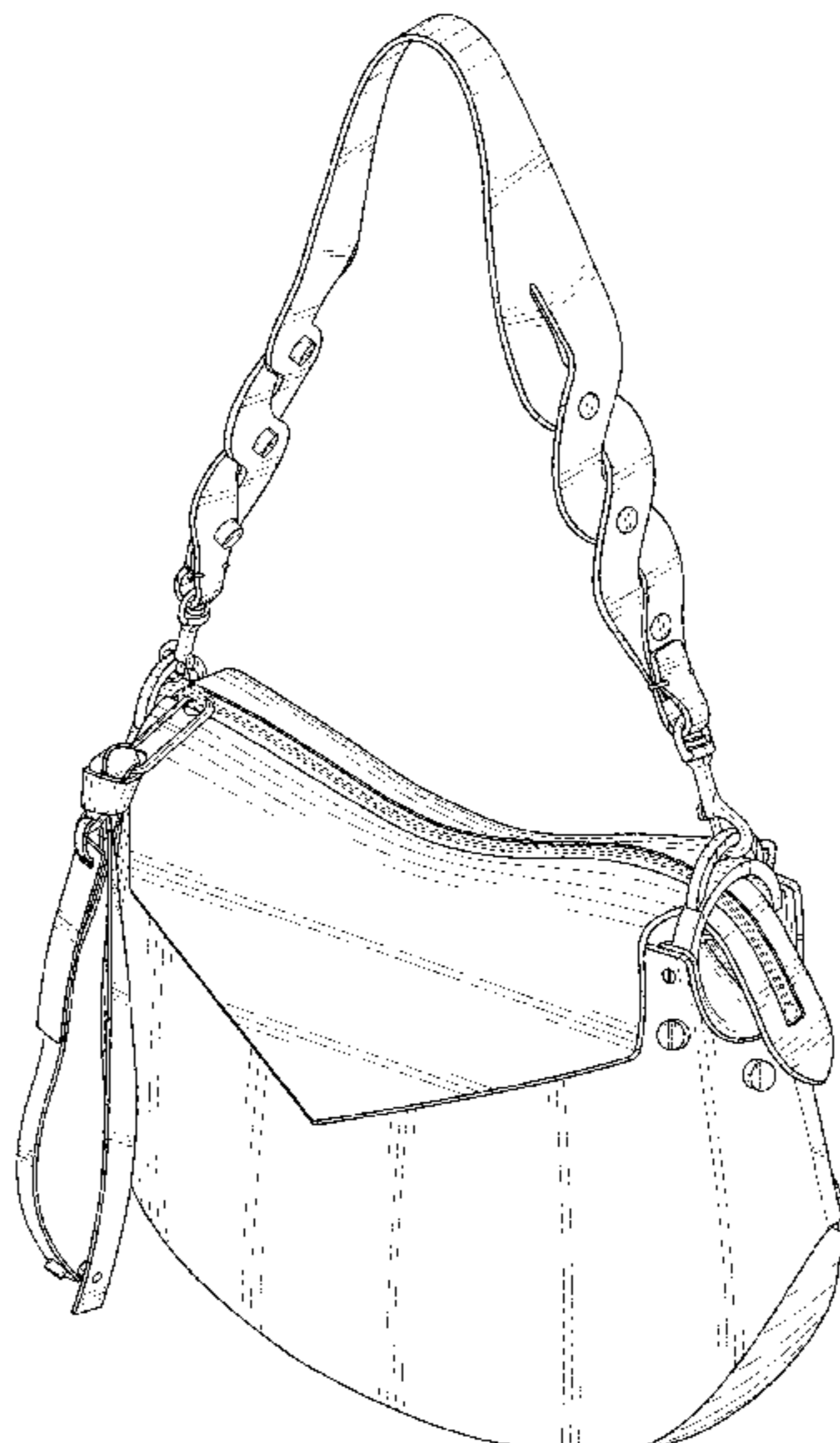
(57) **CLAIM**

The ornamental design for a handbag, as shown and described.

DESCRIPTION

FIG. 1 is a front perspective view of a handbag showing my new design;
FIG. 2 is a left side view thereof;
FIG. 3 is a right side view thereof;
FIG. 4 is a front view thereof;
FIG. 5 is a back view thereof;
FIG. 6 is a top view thereof; and,
FIG. 7 is a bottom view thereof.
The broken lines illustrate the zipper track and form no part of the claimed design.

1 Claim, 6 Drawing Sheets



(56)

References Cited

OTHER PUBLICATIONS

Jimmy Choo, "Artie", Accessed Mar. 13, 2018. (<http://us.jimmychoo.com/en/women/bags/artie/light-mocha-suede-shoulder-bag-ARTIESUE022963.html>).*

Ebay, "VTG Eddie Bauer Tan Burlap Straw Brown Woven Leather Trim Cargo Bag Purse Tote", First on sale Dec. 8, 2017. (<https://www.ebay.com/itm/VTG-EDDIE-BAUER-Tan-Burlap-Straw-Brown-Woven-Leather-Trim-Cargo-Bag-Purse-Tote/352205963687>).*

* cited by examiner

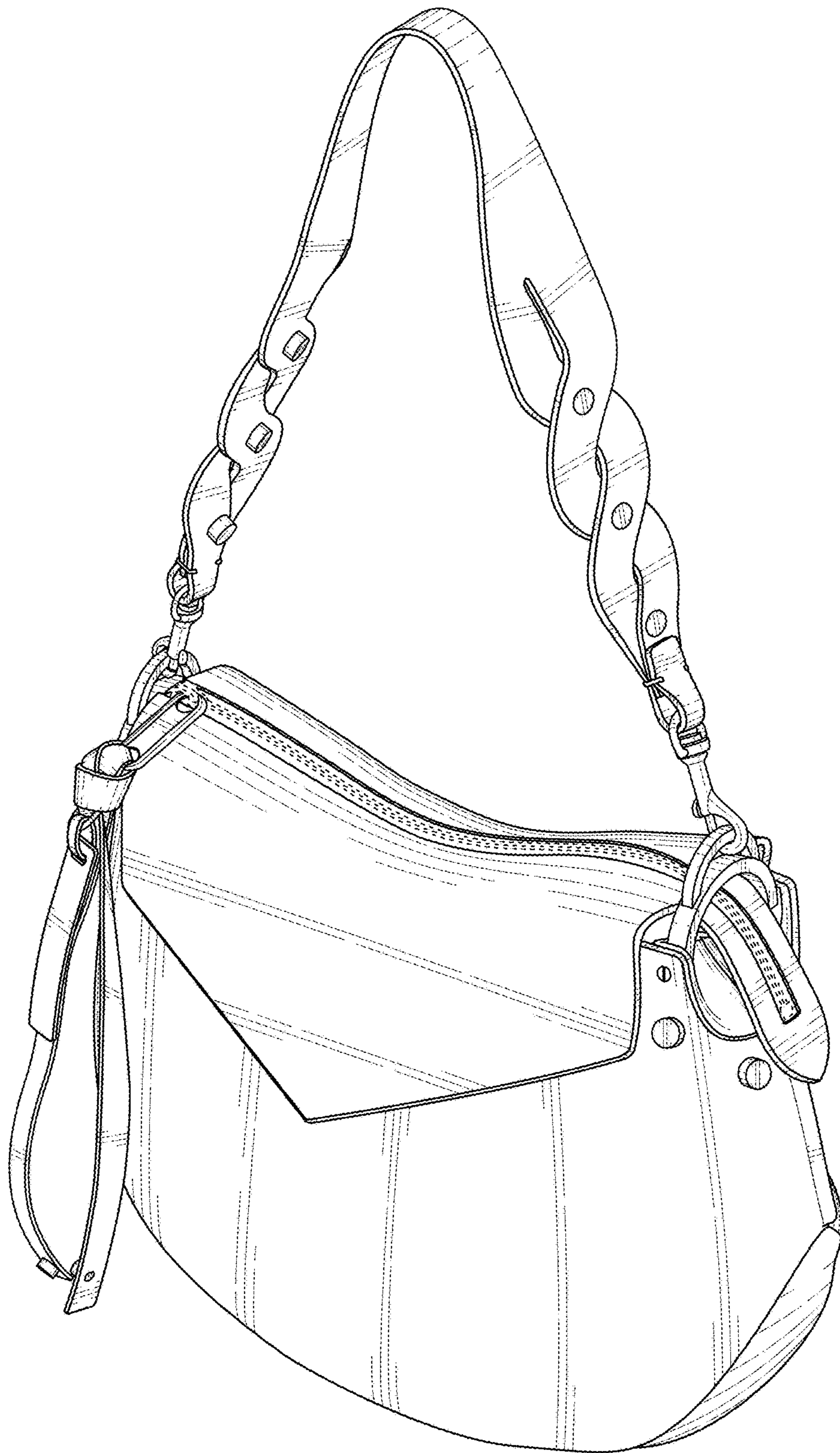


FIG. 1

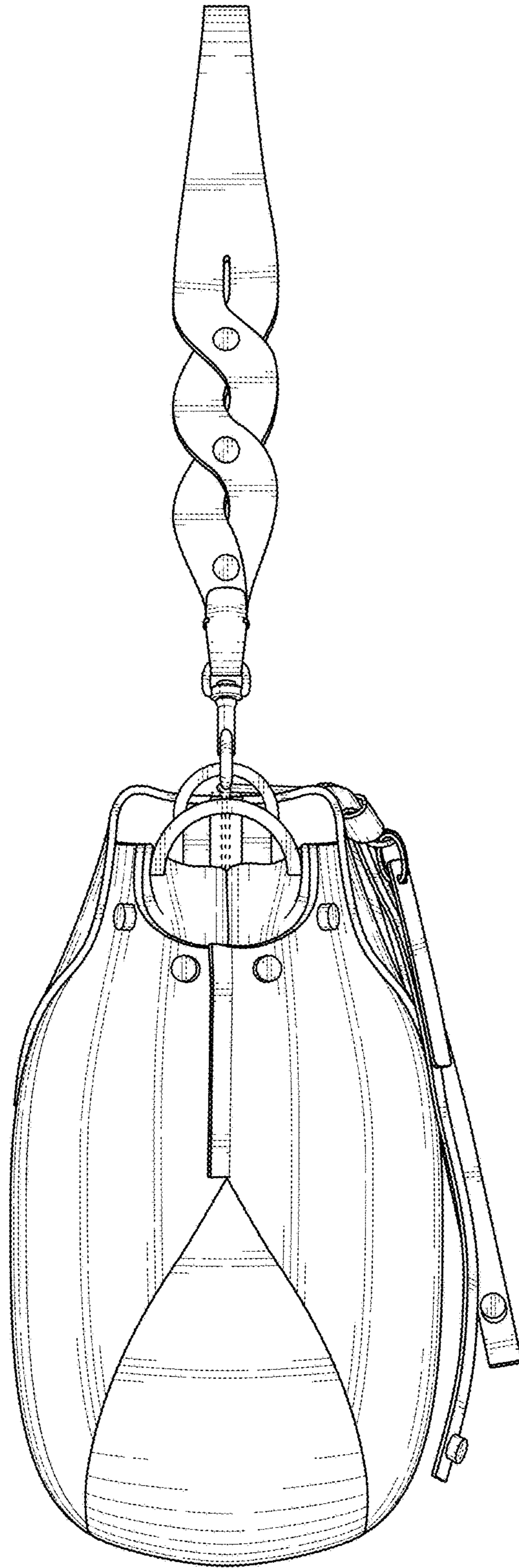


FIG. 2

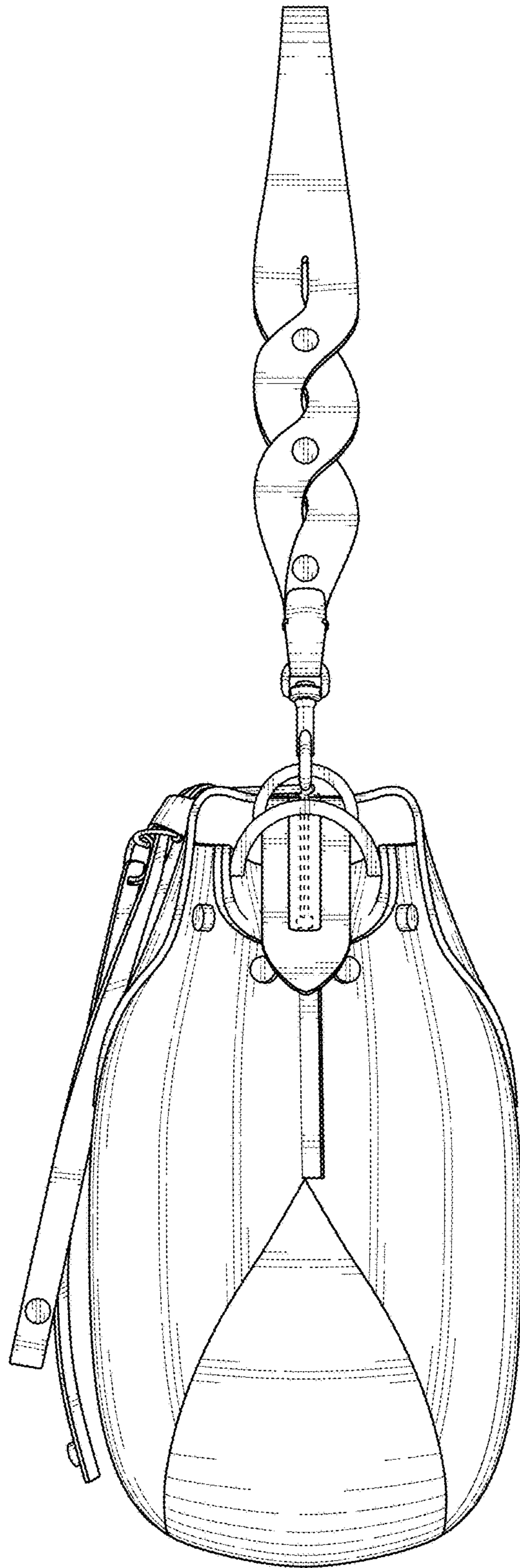


FIG. 3



FIG. 4



FIG. 5

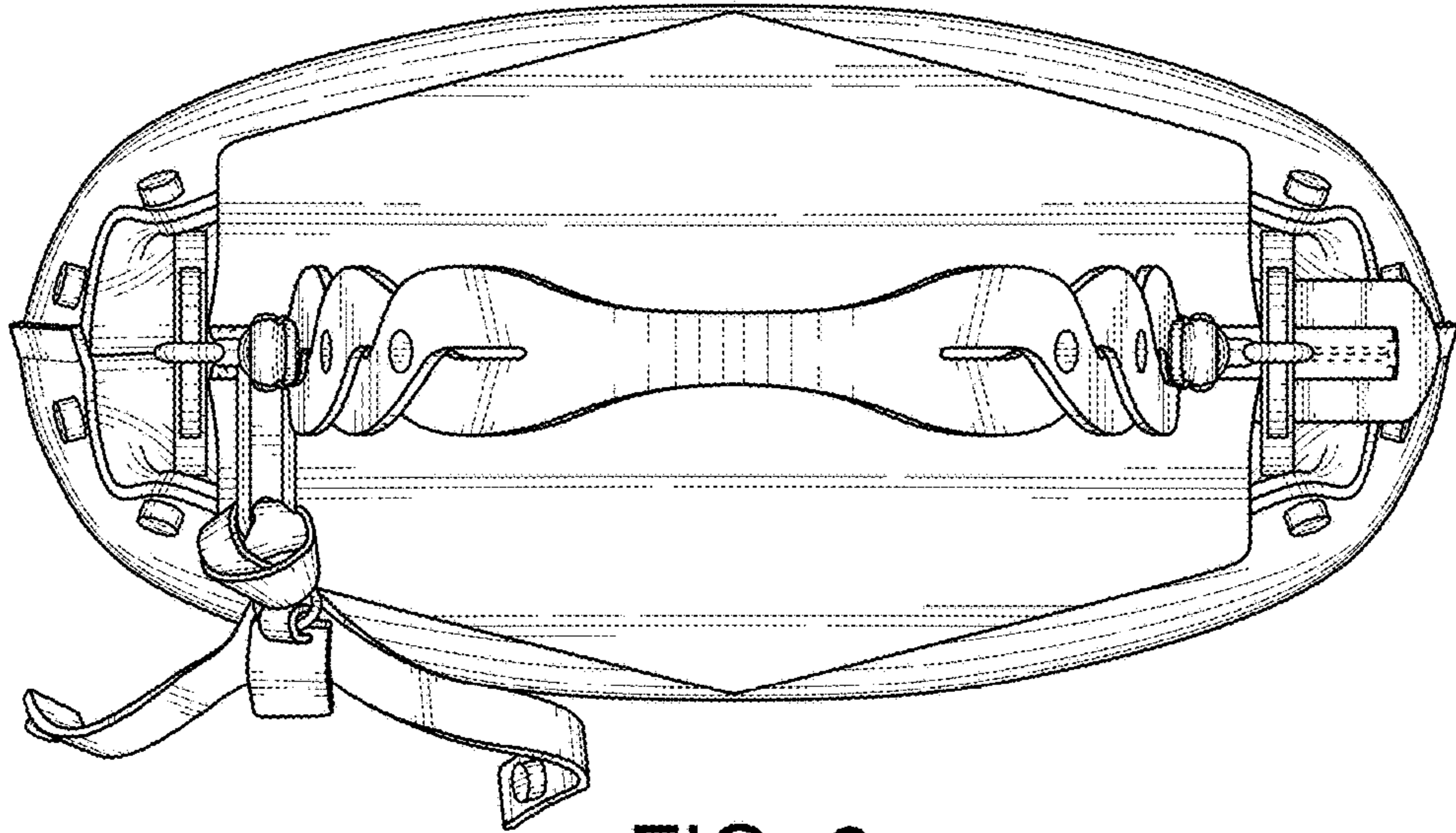


FIG. 6

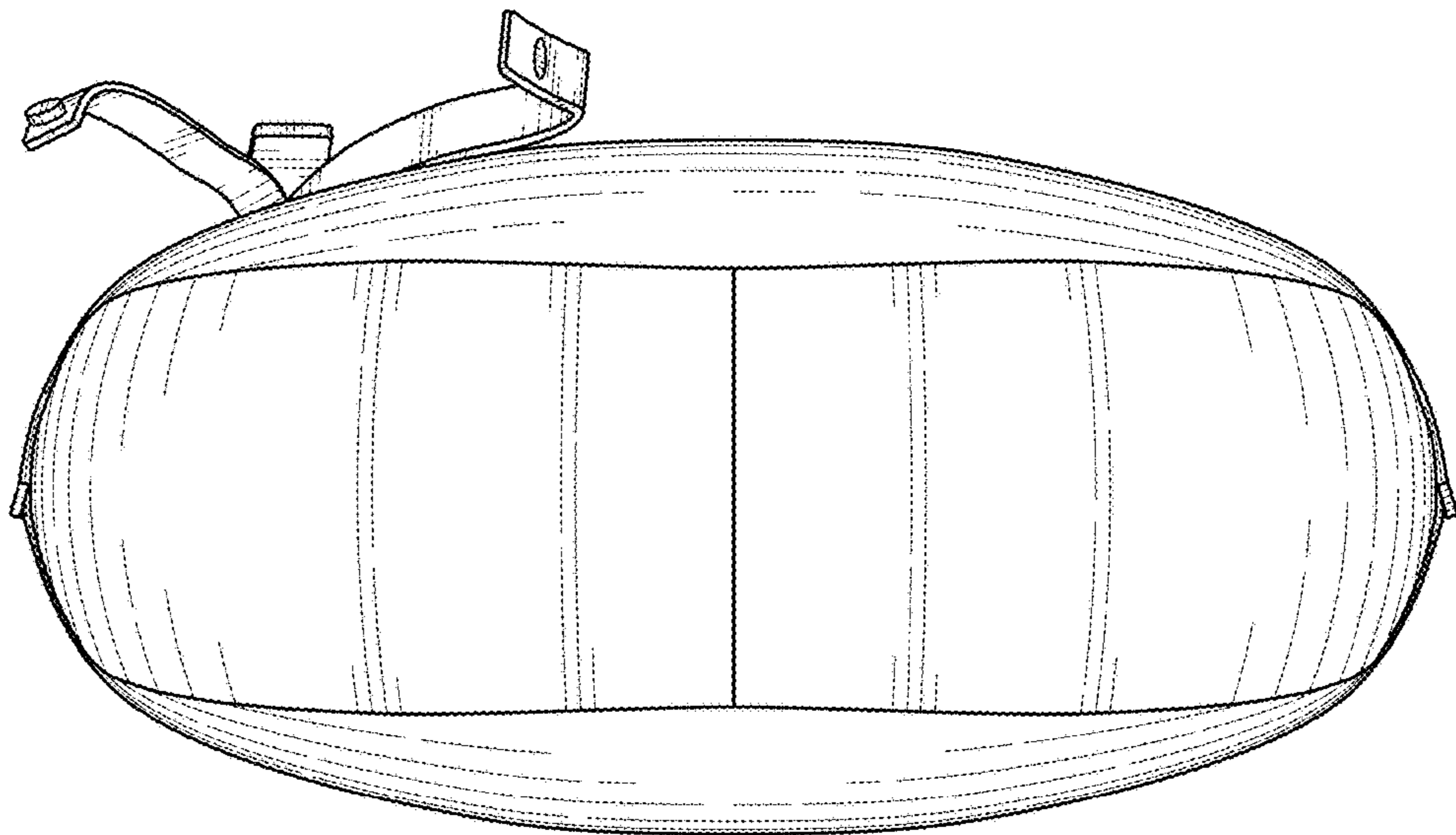


FIG. 7