



US00D825178S

(12) **United States Design Patent** (10) **Patent No.:** **US D825,178 S**
Knoll (45) **Date of Patent:** **** Aug. 14, 2018**

(54) **HOLSTER BEVERAGE HOLDER**
(71) Applicant: **JK Products LLC**, Bushland, TX (US)
(72) Inventor: **James Knoll**, Bushland, TX (US)
(**) Term: **15 Years**
(21) Appl. No.: **29/635,590**
(22) Filed: **Jan. 31, 2018**

Related U.S. Application Data

(63) Continuation of application No. 15/885,721, filed on Jan. 31, 2018.
(51) **LOC (11) Cl.** **03-01**
(52) **U.S. Cl.**
USPC **D3/229; D7/622**
(58) **Field of Classification Search**
USPC D7/619.1-625, 533, 536, 396.2; D3/215, D3/229
CPC A47G 23/0241; A47G 23/0216; A47G 23/0266; A47G 23/0233; A47G 23/02; A47G 19/2205; B60N 3/106; A45F 5/021; A45F 5/102; A45F 5/14; A45F 5/00; A45F 5/10; A45F 2005/002; A45F 2200/0583; B67B 7/16; B67B 7/403; B65D 25/2829; A47J 45/10; A47J 45/077
See application file for complete search history.

(56) **References Cited**
U.S. PATENT DOCUMENTS
2,524,639 A * 10/1950 Saunders A47G 23/0241
224/250
D353,045 S * 12/1994 Chandler D3/229
D419,392 S * 1/2000 Schlebusch D7/619.1
6,032,841 A * 3/2000 Johnson A45F 5/02
224/148.6
D473,760 S * 4/2003 Perez D7/620
D517,314 S * 3/2006 Moyer D3/229
D740,618 S * 10/2015 Knoll D7/622
2010/0294816 A1 * 11/2010 Sentell A45F 5/02
224/148.3
2015/0164256 A1 * 6/2015 Helton A47G 23/0216
220/738

* cited by examiner

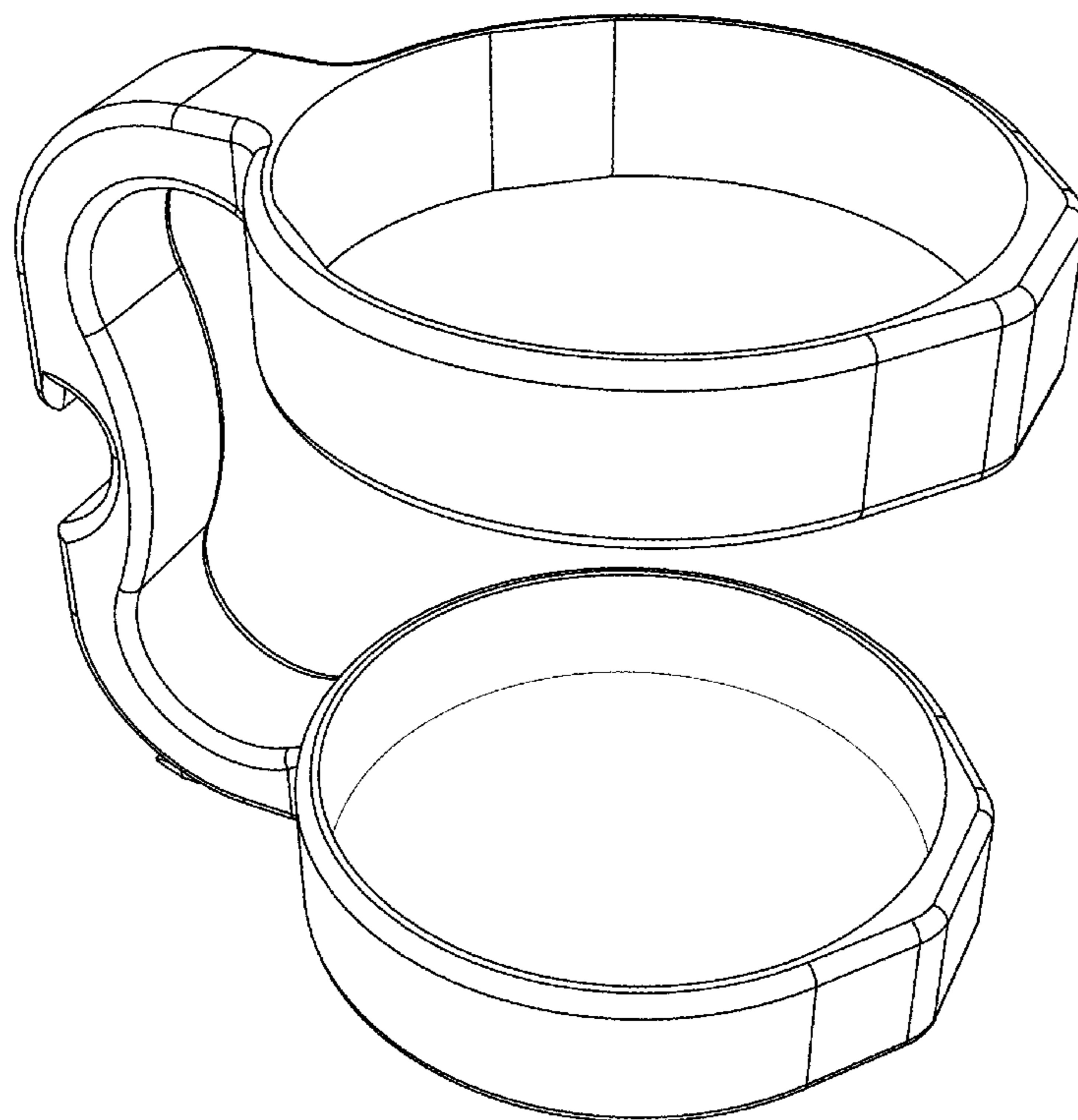
Primary Examiner — Terry A Wallace
(74) *Attorney, Agent, or Firm* — Shannon L Warren

(57) **CLAIM**
The ornamental design for a holster beverage holder, as shown.

DESCRIPTION

FIG. 1 illustrates a perspective overview view of a holster beverage holder;
FIG. 2 illustrates a perspective lower view thereof;
FIG. 3 illustrates an elevated side view thereof; and,
FIG. 4 illustrates an elevated top view thereof.

1 Claim, 4 Drawing Sheets



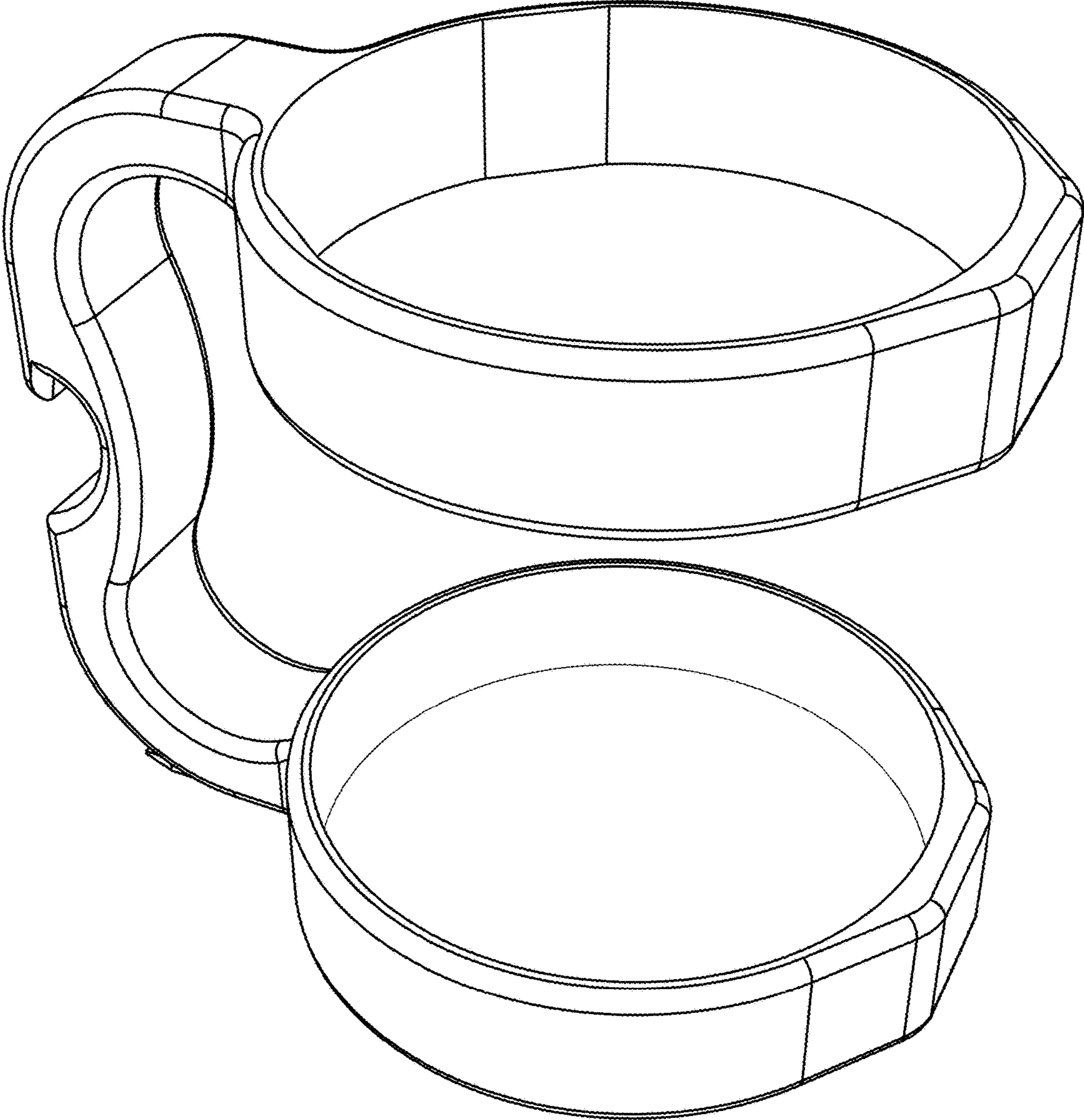


FIG. 1

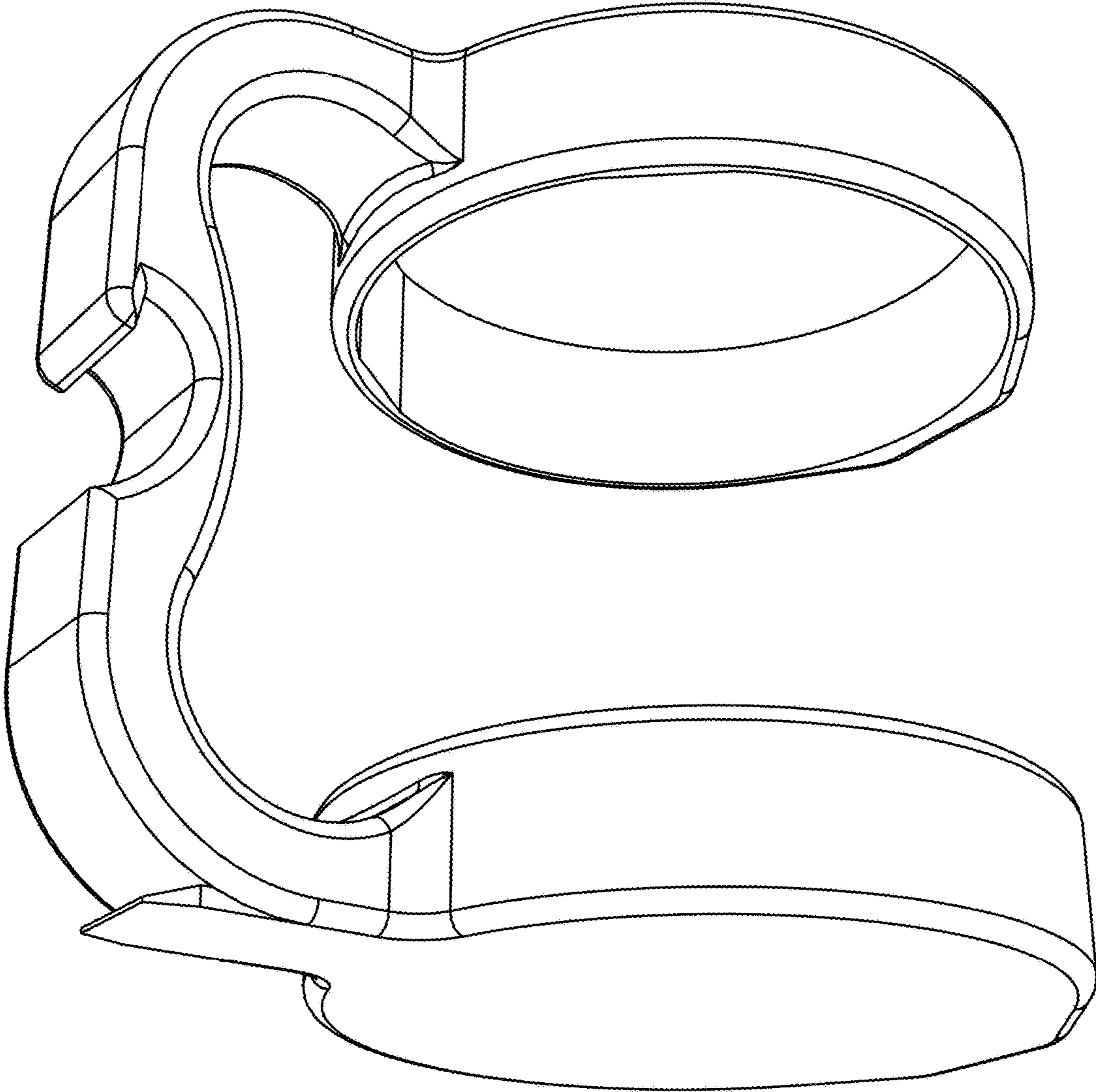


FIG. 2

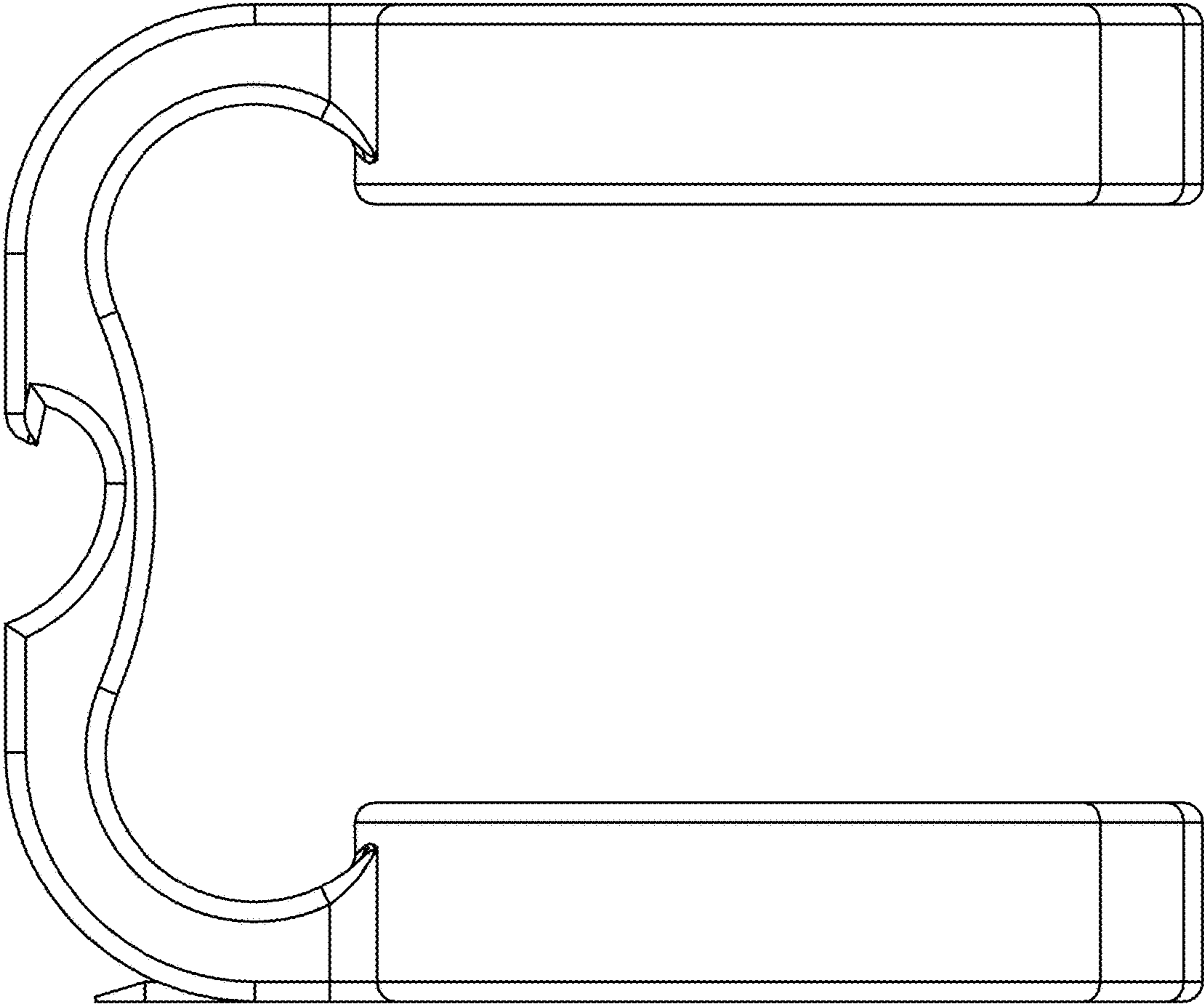


FIG. 3

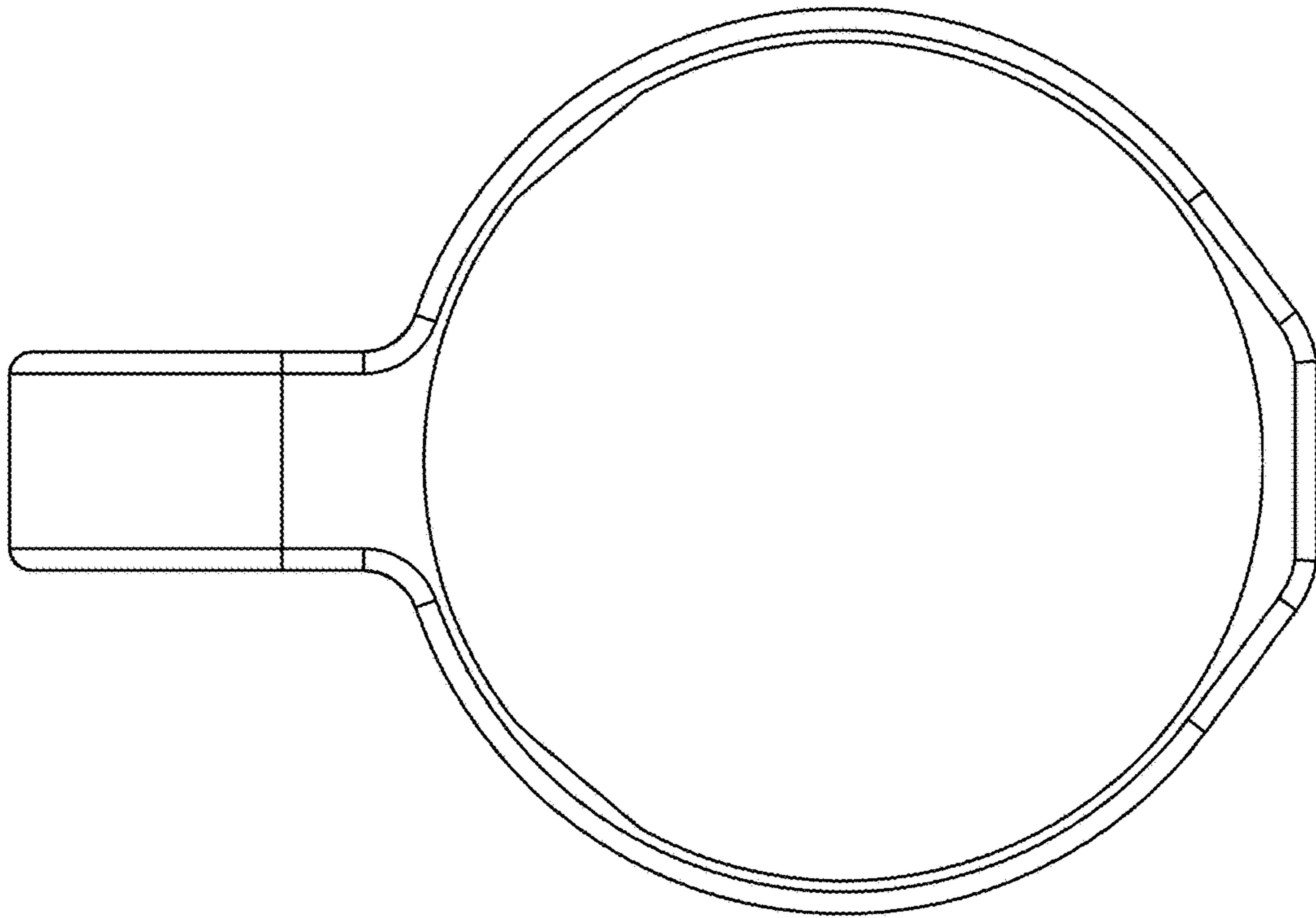


FIG. 4