



US00D825177S

(12) **United States Design Patent**
Pang

(10) **Patent No.:** **US D825,177 S**

(45) **Date of Patent:** **** Aug. 14, 2018**

(54) **BACKPACK**

(71) Applicant: **Walnut Technology Limited**, Kowloon (HK)

(72) Inventor: **Yik Hang Pang**, Hong Kong (CN)

(73) Assignee: **Walnut Technology Limited**, Kowloon (HK)

(**) Term: **15 Years**

(21) Appl. No.: **29/578,216**

(22) Filed: **Sep. 20, 2016**

(51) **LOC (11) Cl.** **03-01**

(52) **U.S. Cl.**
USPC **D3/217**

(58) **Field of Classification Search**
USPC D3/201, 216, 217, 254, 272, 279, 294;
D6/336, 368

CPC A45F 3/04; A45F 4/02; A45F 2003/045;
A45F 2003/125; A45F 3/02; A45F
2003/127; A45F 3/047; A45F 3/12; A45F
2003/001

See application file for complete search history.

(56) **References Cited**

U.S. PATENT DOCUMENTS

D249,189 S * 8/1978 Stewart D3/217
5,577,652 A * 11/1996 Cooper A45F 3/02
224/153

D446,009 S * 8/2001 Mandell D3/216
8,123,581 B2 * 2/2012 Aschauer A63B 29/021
116/210
D661,085 S * 6/2012 Custer D3/217
D708,845 S * 7/2014 Taylor D3/216
D793,718 S * 8/2017 Dumas D3/217
D794,323 S * 8/2017 Dumas D3/217
9,717,322 B1 * 8/2017 Bergquist A45F 4/00

* cited by examiner

Primary Examiner — George D Kirschbaum

Assistant Examiner — Jennifer L Watkins

(74) *Attorney, Agent, or Firm* — Finnegan, Henderson,
Farabow, Garrett & Dunner, LLP

(57) **CLAIM**

The ornamental design for a backpack, as shown and described.

DESCRIPTION

FIG. 1 is a top, front, right perspective view of a backpack, showing my new design;

FIG. 2 is a front elevation view thereof;

FIG. 3 is a rear elevation view thereof;

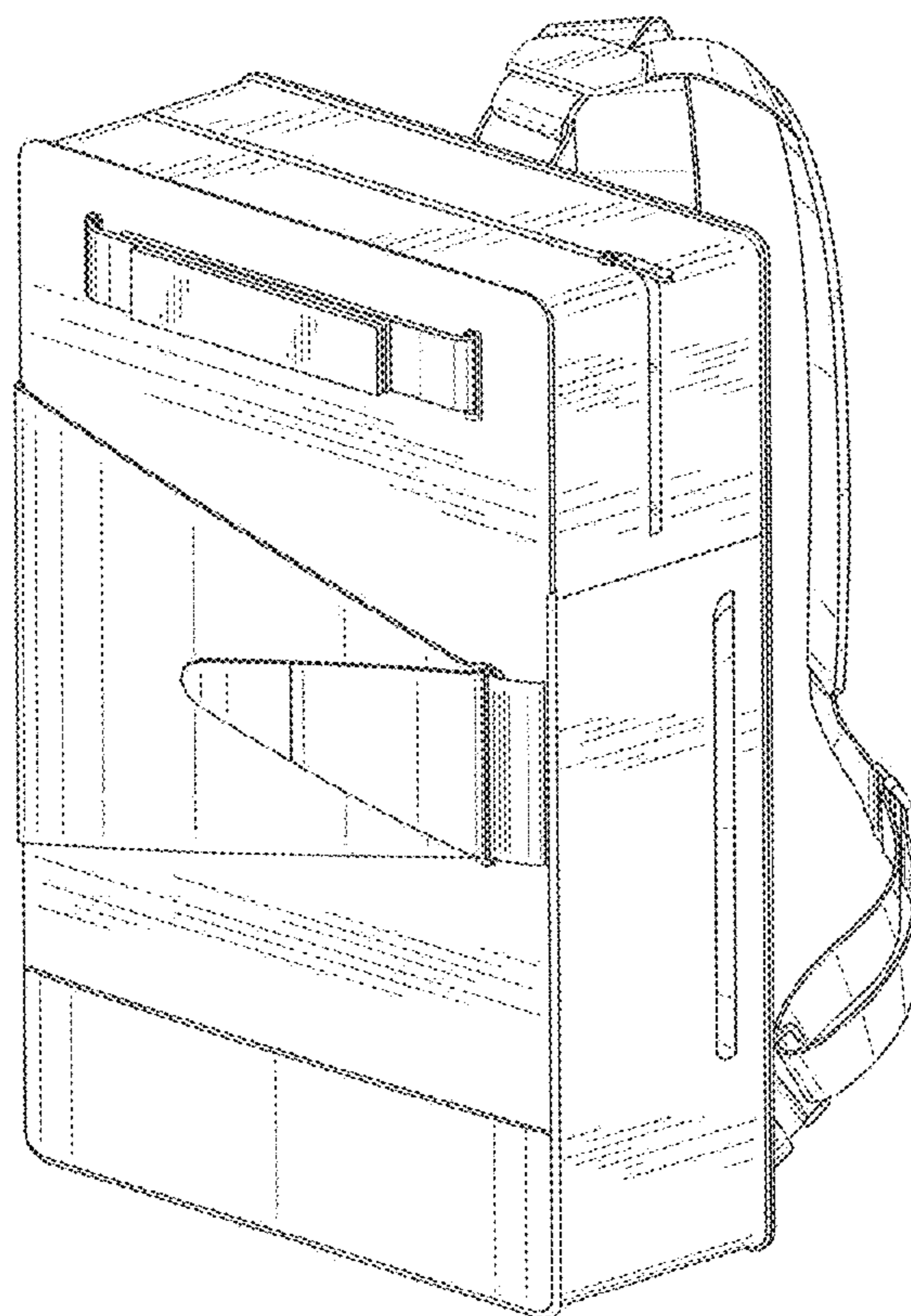
FIG. 4 is a left side elevation view thereof;

FIG. 5 is a right side elevation view thereof;

FIG. 6 is a top plan view thereof; and,

FIG. 7 is a bottom plan view thereof.

1 Claim, 7 Drawing Sheets



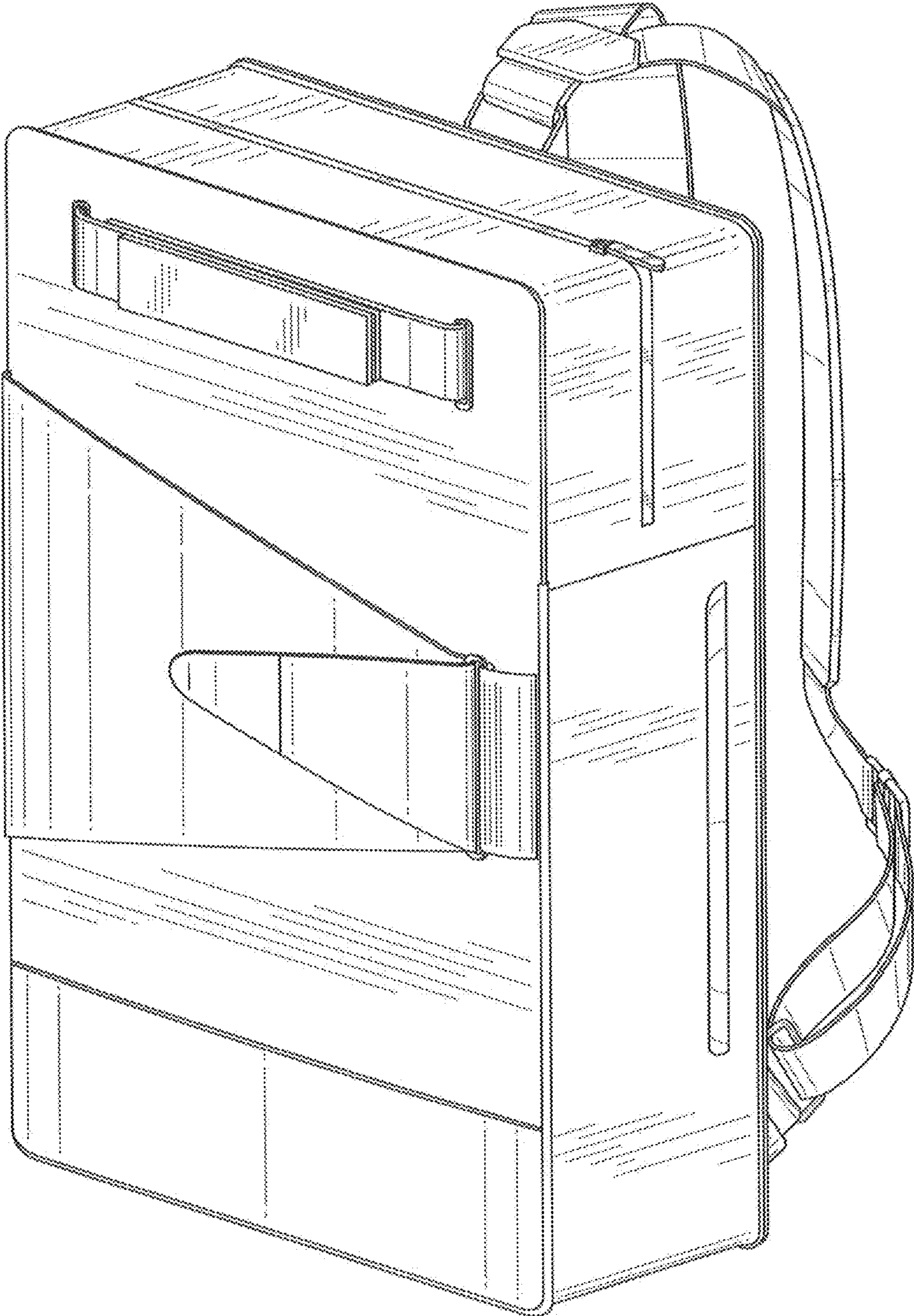


FIG. 1

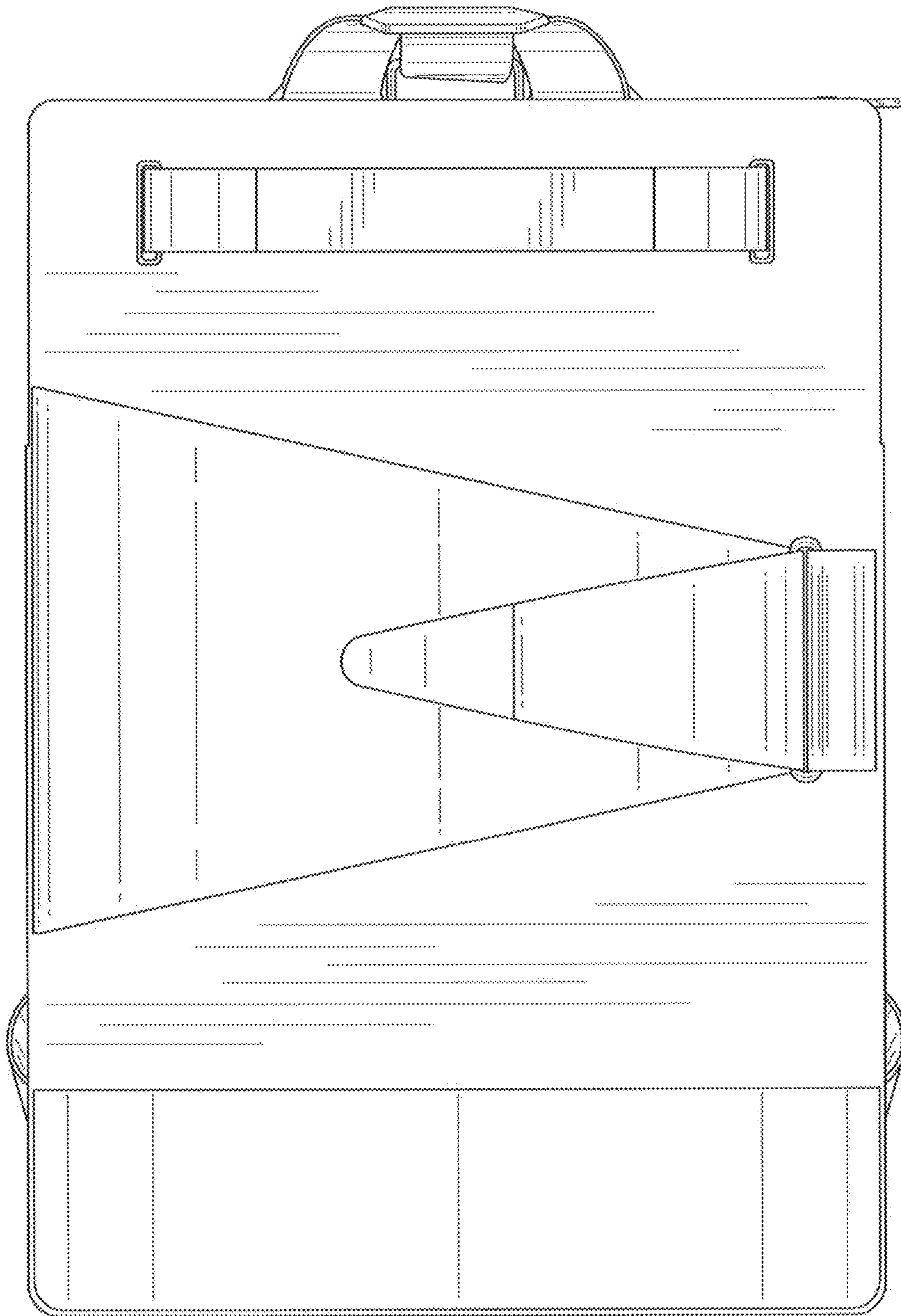


FIG. 2

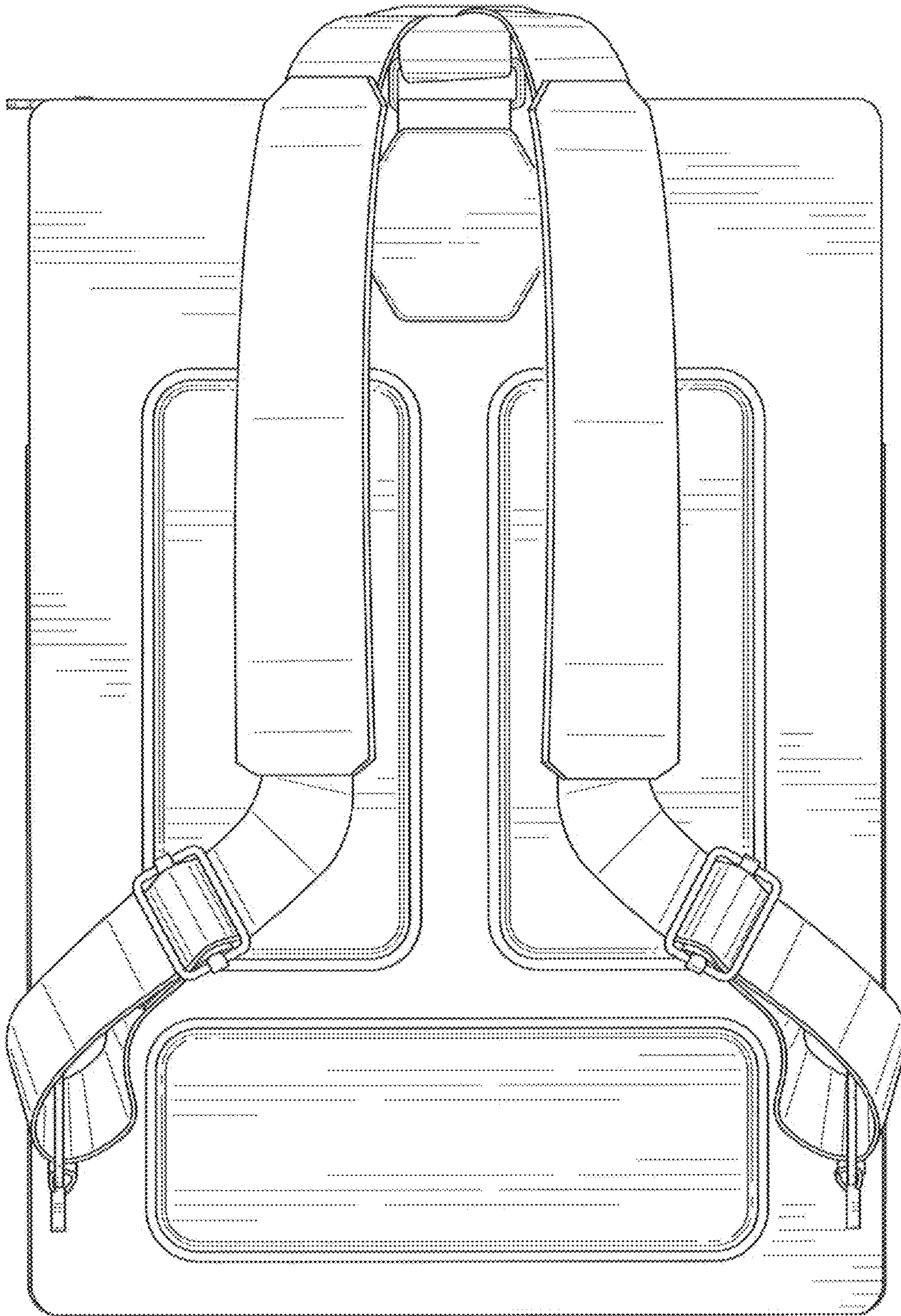


FIG. 3

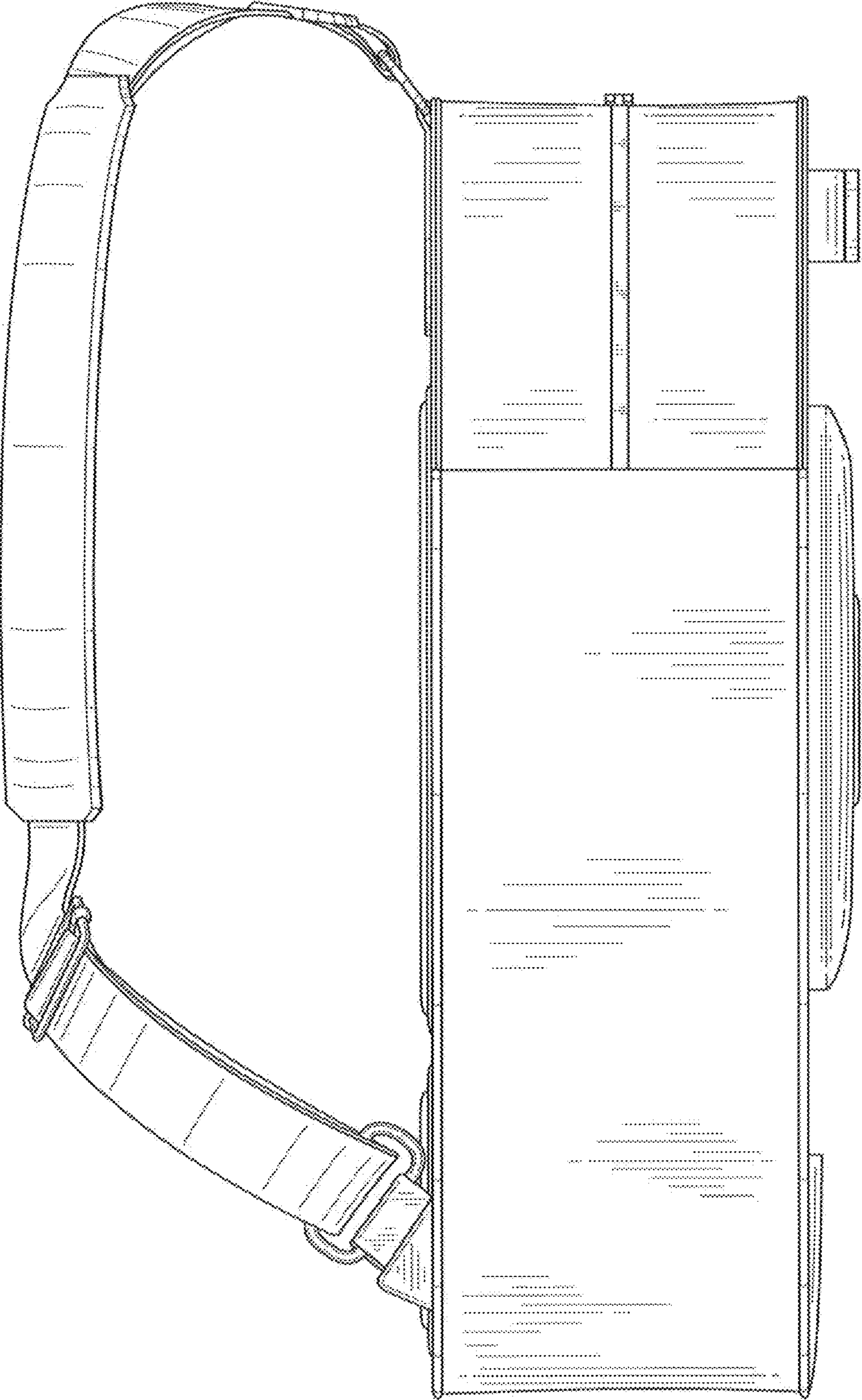


FIG. 4

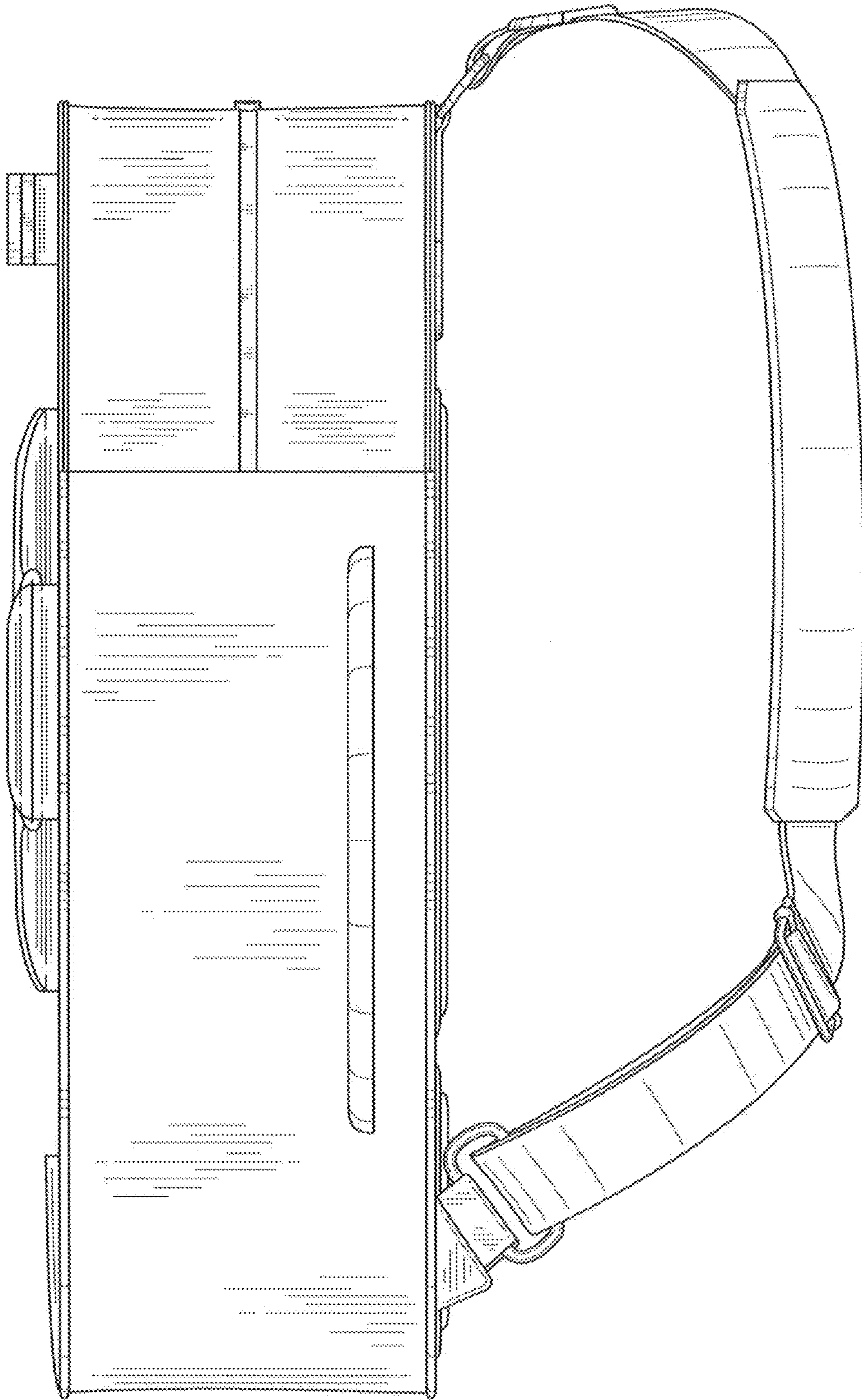


FIG. 5

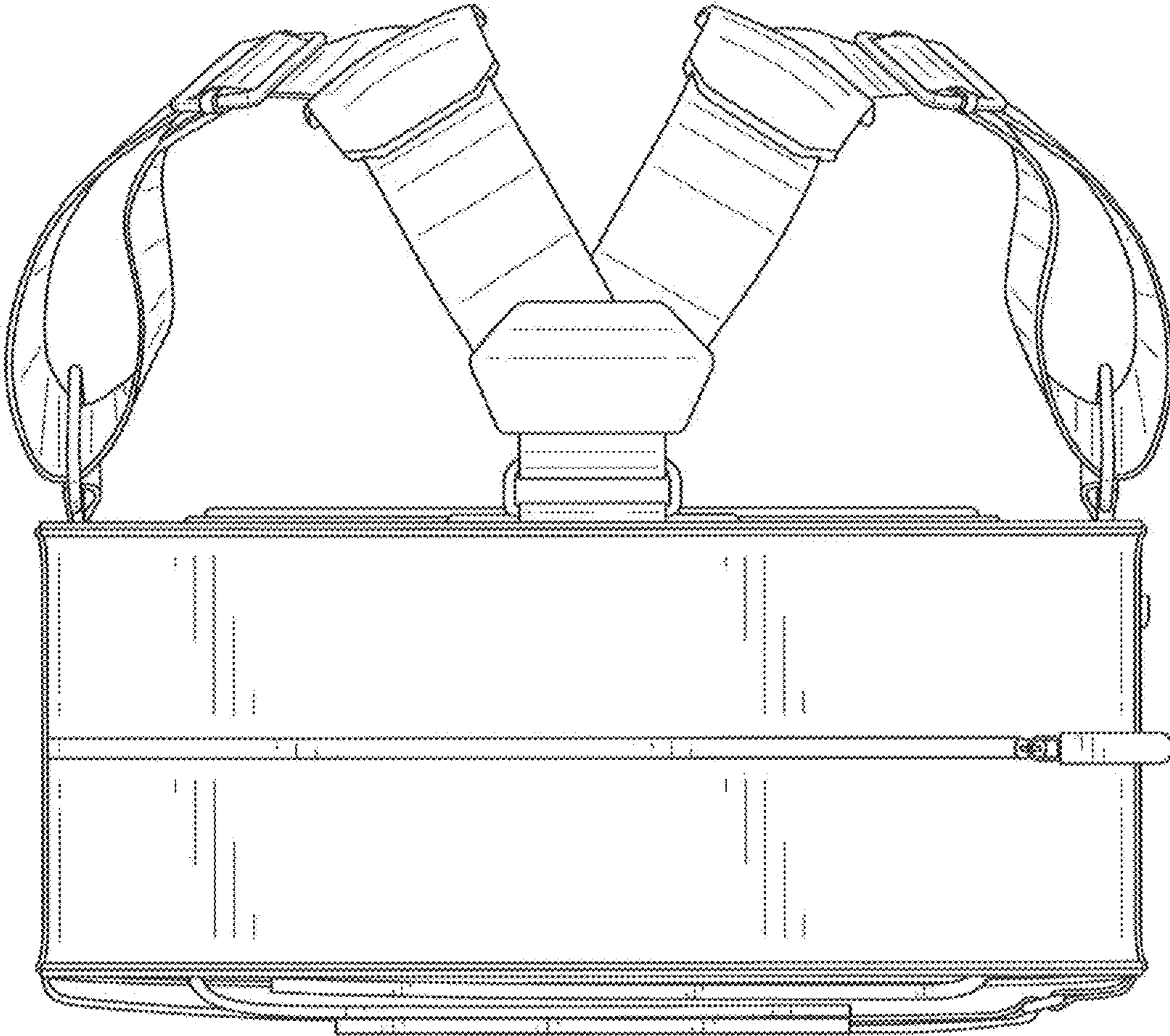


FIG. 6

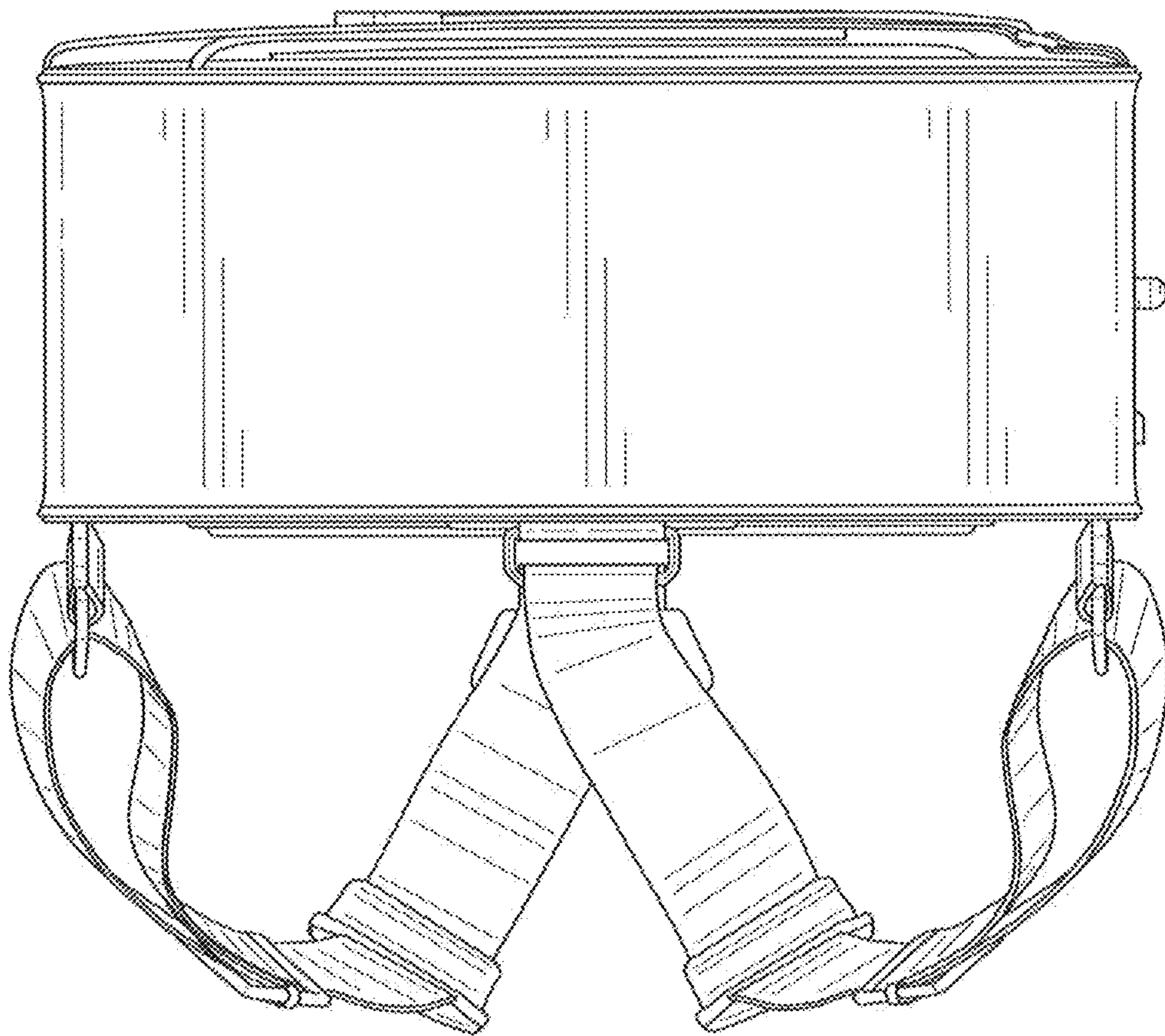


FIG. 7