



US00D825176S

(12) **United States Design Patent** (10) **Patent No.:** **US D825,176 S**
Wright (45) **Date of Patent:** **** Aug. 14, 2018**

(54) **MEDICATION REMINDER DEVICE**
(71) Applicant: **Cosburne O. Wright**, Lakeworth, FL (US)
(72) Inventor: **Cosburne O. Wright**, Lakeworth, FL (US)
(**) Term: **15 Years**
(21) Appl. No.: **29/552,616**
(22) Filed: **Jan. 25, 2016**
(51) **LOC (11) Cl.** **03-03**
(52) **U.S. Cl.**
USPC **D3/203.3**
(58) **Field of Classification Search**
USPC D3/201, 203.1, 203.2, 203.3; D10/30, D10/38, 127, 128, 32, 40, 104.1; D14/344; D24/164-167, 186
CPC G06F 19/3456; A61J 7/04; A61J 7/0481; A61J 2200/70; G06O 10/1093
See application file for complete search history.

(56) **References Cited**

U.S. PATENT DOCUMENTS

D249,125 S * 8/1978 Wright D10/40
4,382,688 A * 5/1983 Machamer A61J 7/0481
221/2
5,050,142 A * 9/1991 Gibbs A61J 7/0481
368/11
5,157,640 A 10/1992 Backner
D347,589 S * 6/1994 LaBate D10/32
D373,964 S * 9/1996 Alexander D10/106.1
5,602,802 A * 2/1997 Leigh-Spencer A61J 7/0481
365/66
D391,183 S * 2/1998 Campbell D10/104.1
5,802,014 A 9/1998 Danko
D409,504 S * 5/1999 Collier D10/126
5,990,782 A * 11/1999 Lee A61J 7/0481
340/309.4

D418,075 S * 12/1999 Kuntzman D10/104.1
6,075,755 A 6/2000 Zarchan
D429,469 S * 8/2000 McPhee D10/2
6,340,242 B1 1/2002 Sandidge
6,464,389 B1 10/2002 Ghoorahoo
D476,240 S * 6/2003 Kuramochi D10/40
D496,291 S * 9/2004 Walsh, III D10/32
6,857,775 B1 2/2005 Wilson
D525,151 S * 7/2006 Oas D10/2
D525,538 S * 7/2006 Oas D10/32
D581,290 S * 11/2008 Corchado D10/32
D606,425 S * 12/2009 Simpson D10/40
D655,215 S * 3/2012 Daniel D10/104.2
D663,113 S * 7/2012 Simms D3/203.3
D729,653 S * 5/2015 Nuovo D10/103
D740,693 S * 10/2015 Carmichael D10/32
D746,703 S * 1/2016 Gabrel D10/40
D777,050 S * 1/2017 Will D10/104.1
D781,572 S * 3/2017 Duval D3/215

(Continued)

Primary Examiner — John Windmuller
Assistant Examiner — Steven J Czyz
(74) *Attorney, Agent, or Firm* — Cramer Patent & Design, PLLC; Aaron R. Cramer

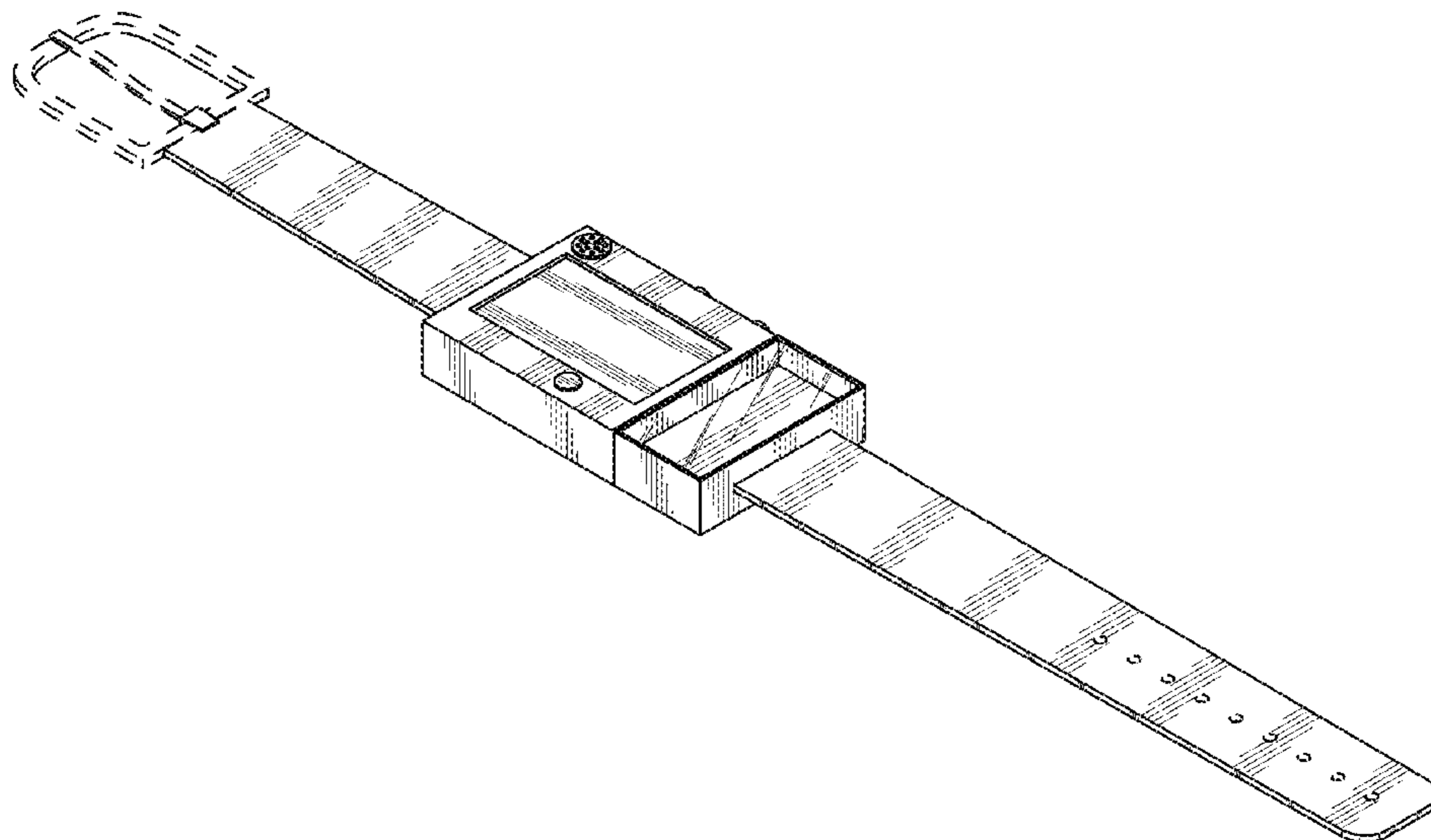
(57) **CLAIM**

The ornamental design for a medication reminder device, as shown and described.

DESCRIPTION

FIG. 1 is a front perspective view of a medication reminder device, showing my new design;
FIG. 2 is an enlarged right side elevation view thereof;
FIG. 3 is an enlarged left side elevation view thereof;
FIG. 4 is a front elevation view thereof;
FIG. 5 is a rear elevation view thereof;
FIG. 6 is a top plan view thereof; and,
FIG. 7 is a bottom plan view thereof.
The broken lines depict portions of the article that form no part of the claimed design.

1 Claim, 7 Drawing Sheets



(56)

References Cited

U.S. PATENT DOCUMENTS

D790,366	S *	6/2017	Nuovo	D10/103
2005/0228698	A1	10/2005	Smith et al.	
2006/0018200	A1	1/2006	Pitocco et al.	
2006/0167761	A1	7/2006	Elcock et al.	
2007/0150326	A1	6/2007	Nakao et al.	
2009/0040874	A1 *	2/2009	Rooney	A61J 7/0472 368/10
2009/0086579	A1	4/2009	Clark	
2010/0237115	A1	9/2010	Booker	
2014/0219064	A1	8/2014	Filipi et al.	
2017/0206505	A1 *	7/2017	Wright	G06Q 10/1093

* cited by examiner

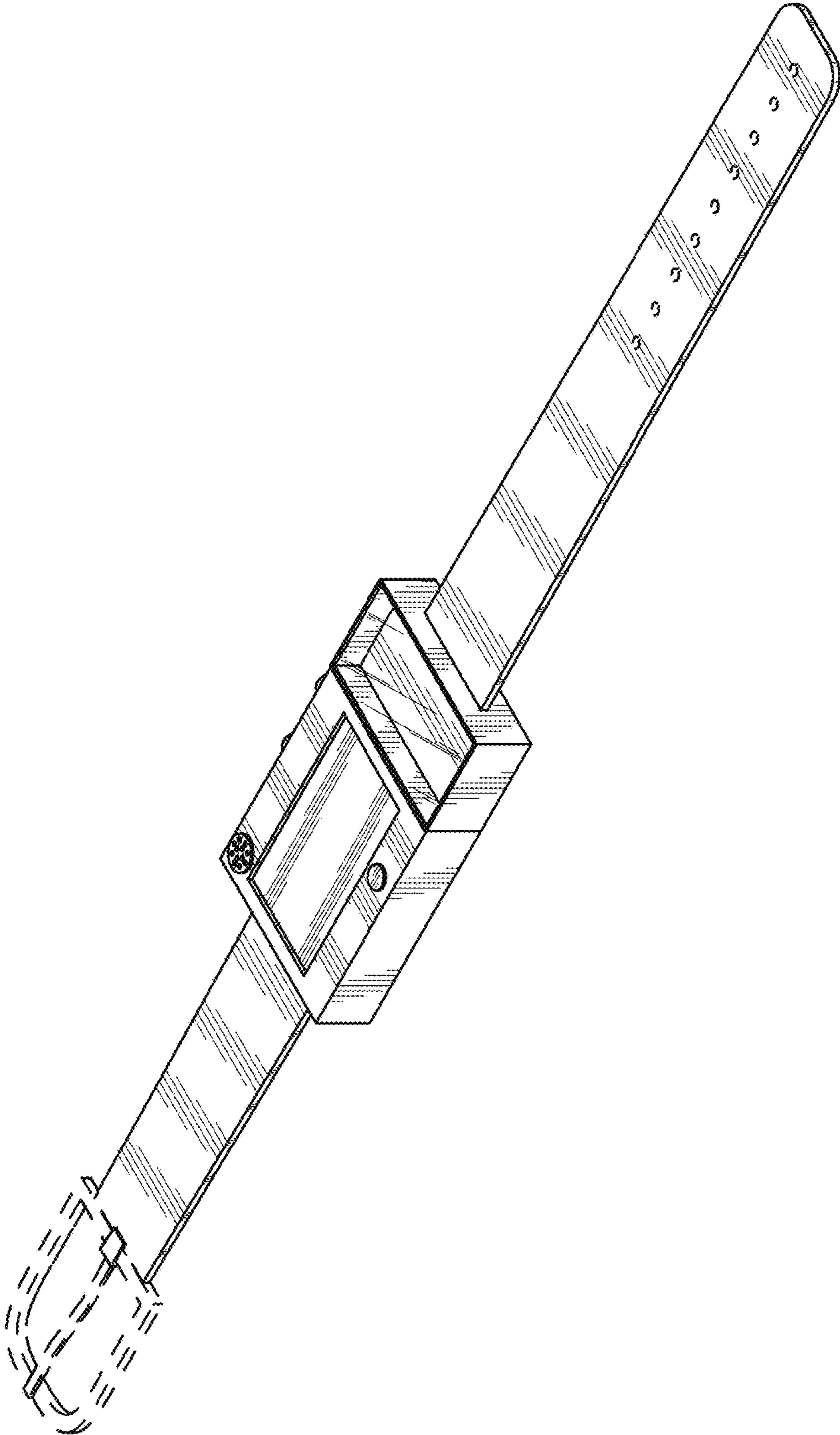


FIG. 1

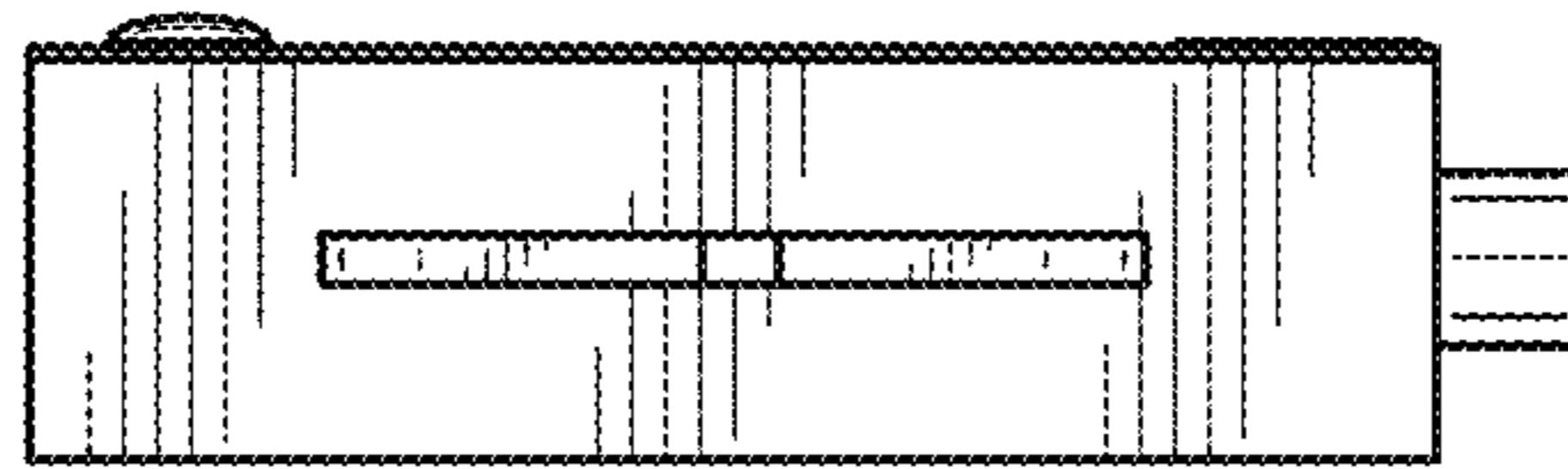


FIG. 2

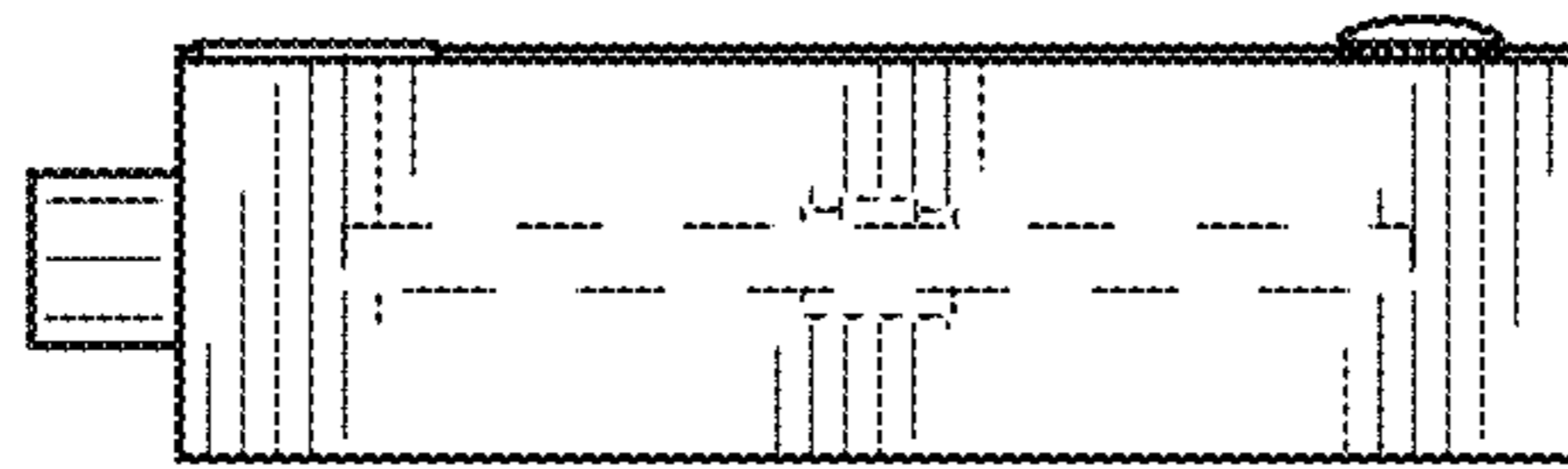


FIG. 3

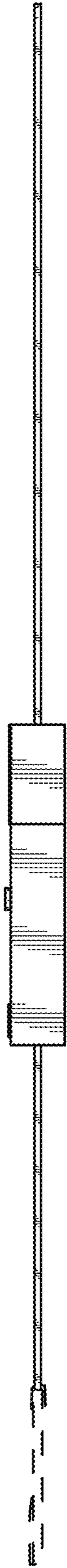


FIG. 4



FIG. 5

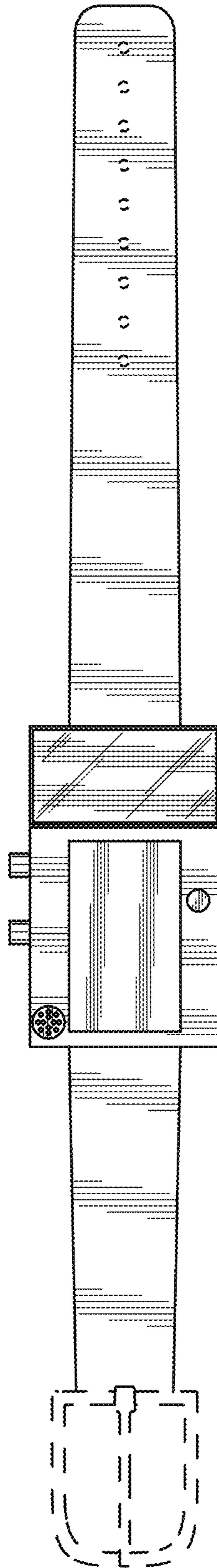


FIG. 6

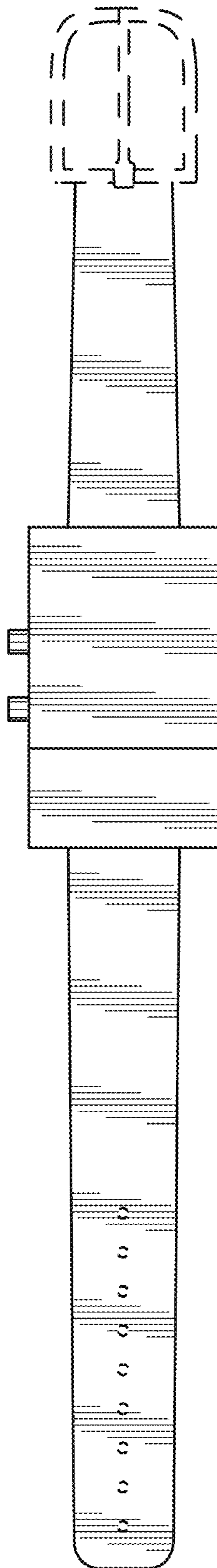


FIG. 7