

US00D825173S

(12) **United States Design Patent** (10) **Patent No.:** **US D825,173 S**
Elliott (45) **Date of Patent:** **** *Aug. 14, 2018**

(54) **WALKER WITH TOILET RECESS**
(71) Applicant: **Rand Elliott**, Oklahoma City, OK (US)
(72) Inventor: **Rand Elliott**, Oklahoma City, OK (US)
(*) Notice: This patent is subject to a terminal disclaimer.
(**) Term: **14 Years**
(21) Appl. No.: **29/518,285**
(22) Filed: **Feb. 22, 2015**
(51) **LOC (11) Cl.** **03-01**
(52) **U.S. Cl.**
USPC **D3/7**
(58) **Field of Classification Search**
USPC D3/5-17; D12/128-133; D21/673, 686,
D21/690, 694; D6/329, 681; D25/35,
D25/58, 38.1, 48.8, 48.4
CPC A45B 9/00; A45B 2/00; A45B 9/02; A45B
9/04; B62B 7/08; B62B 7/12; B62B
2205/06; E04B 1/19; E04B 2001/1927;
E04C 3/34; E04C 2003/0421; E04G 1/14;
A47D 13/043
See application file for complete search history.

(56) **References Cited**

U.S. PATENT DOCUMENTS

D26,227 S * 10/1896 Selkirk et al. D25/16
1,727,969 A * 9/1929 Evans A61H 3/00
482/68
2,556,121 A * 6/1951 Thomas A61G 5/10
280/304.1
D181,957 S * 1/1958 Callahan 297/5
3,176,700 A * 4/1965 Drury, Jr. A61H 3/00
135/67
3,195,550 A * 7/1965 Ingalls A61H 3/04
135/67
3,199,521 A * 8/1965 Ries A61H 3/00
135/67

3,273,888 A * 9/1966 Burns A61H 3/04
297/5
D208,607 S * 9/1967 Willaims et al. 135/67
D213,815 S * 4/1969 Smith et al. D3/9
D213,816 S * 4/1969 Smith et al. D3/9
3,562,973 A * 2/1971 Gangemi et al. E04B 1/3445
160/135
3,580,569 A * 5/1971 Wilson A63B 21/00047
482/23
4,161,850 A * 7/1979 Peterson E04B 2/82
16/379
D271,254 S * 11/1983 Morris D3/5
D315,702 S * 3/1991 Van Dyke D12/133
5,058,912 A * 10/1991 Harroun A61H 3/04
135/67
D324,450 S * 3/1992 Pugh D3/10
D326,172 S * 5/1992 Biesele D3/10
D345,855 S * 4/1994 Greenway D3/6
D359,632 S * 6/1995 Bubb D6/643
D359,633 S * 6/1995 Bubb D6/643
5,740,825 A * 4/1998 Brunengo A61H 3/00
135/67

(Continued)

Primary Examiner — John Windmuller
Assistant Examiner — Steven Czyz
(74) *Attorney, Agent, or Firm* — Crowe & Dunlevy P.C.

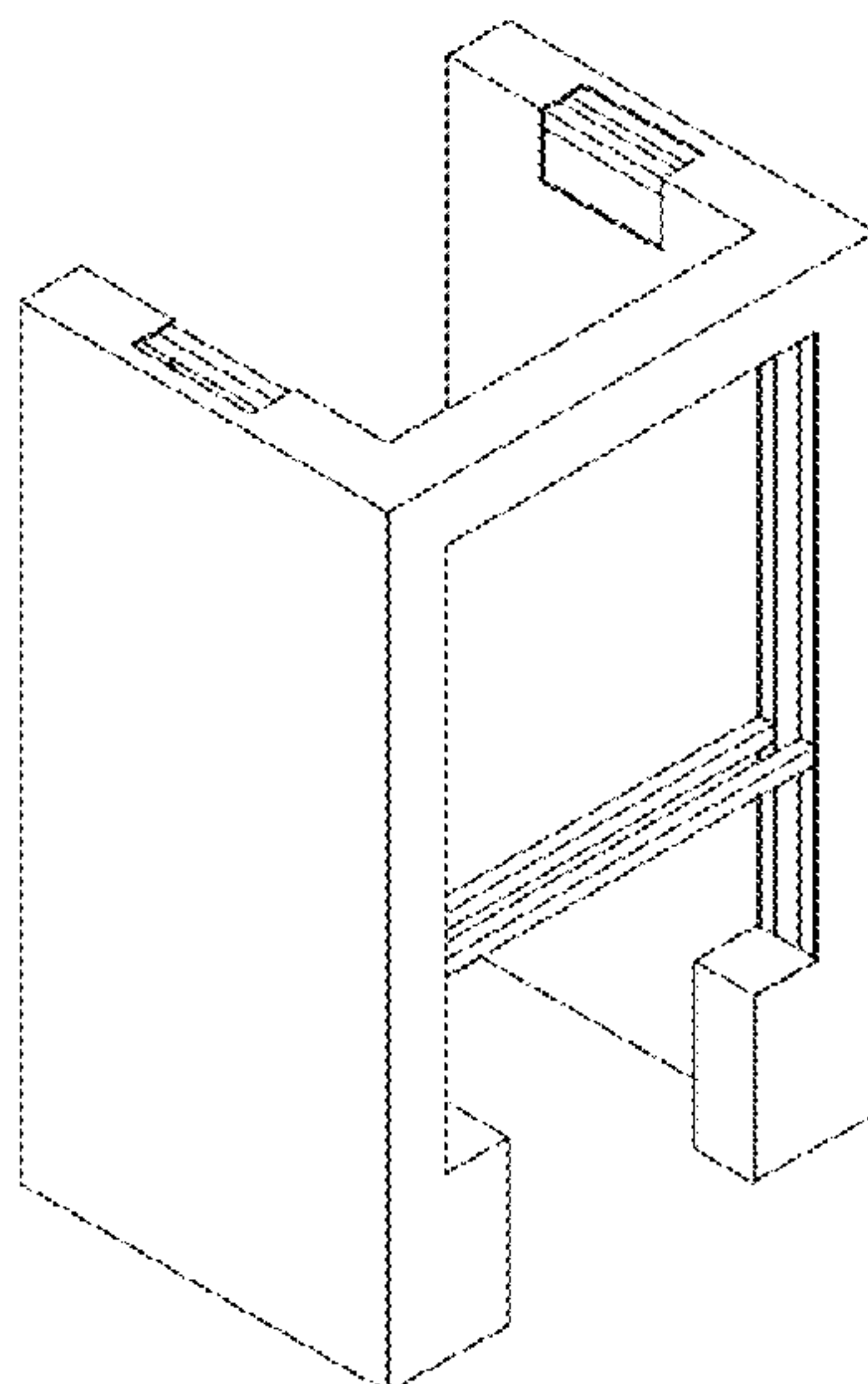
(57) **CLAIM**

The ornamental design for a walker with toilet recess, as shown and described.

DESCRIPTION

FIG. 1 is a front perspective view of a walker with toilet recess showing my new design;
FIG. 2 is a front view thereof;
FIG. 3 is a top view thereof;
FIG. 4 is a bottom view thereof;
FIG. 5 is a rear view thereof;
FIG. 6 is a right side view thereof; and,
FIG. 7 is a left side view thereof.

1 Claim, 3 Drawing Sheets



(56)

References Cited

U.S. PATENT DOCUMENTS

| | | | | |
|--------------|------|---------|----------------|----------------------|
| 6,948,727 | B1 * | 9/2005 | Bakken | A61H 3/04 135/67 |
| D549,355 | S * | 8/2007 | Gray | D25/58 |
| D564,949 | S | 3/2008 | Nakagawa | |
| D569,312 | S | 5/2008 | Cowie | |
| D636,709 | S | 4/2011 | Cho | |
| 8,166,988 | B1 * | 5/2012 | Martin | A61H 3/04 135/66 |
| 8,597,162 | B2 * | 12/2013 | Amonette | A61H 3/008 482/66 |
| D700,872 | S | 3/2014 | Mograbi et al. | |
| D728,127 | S * | 4/2015 | Way | D25/58 |
| 2014/0031176 | A1 * | 1/2014 | Knopow | A61H 3/04 482/68 |

* cited by examiner

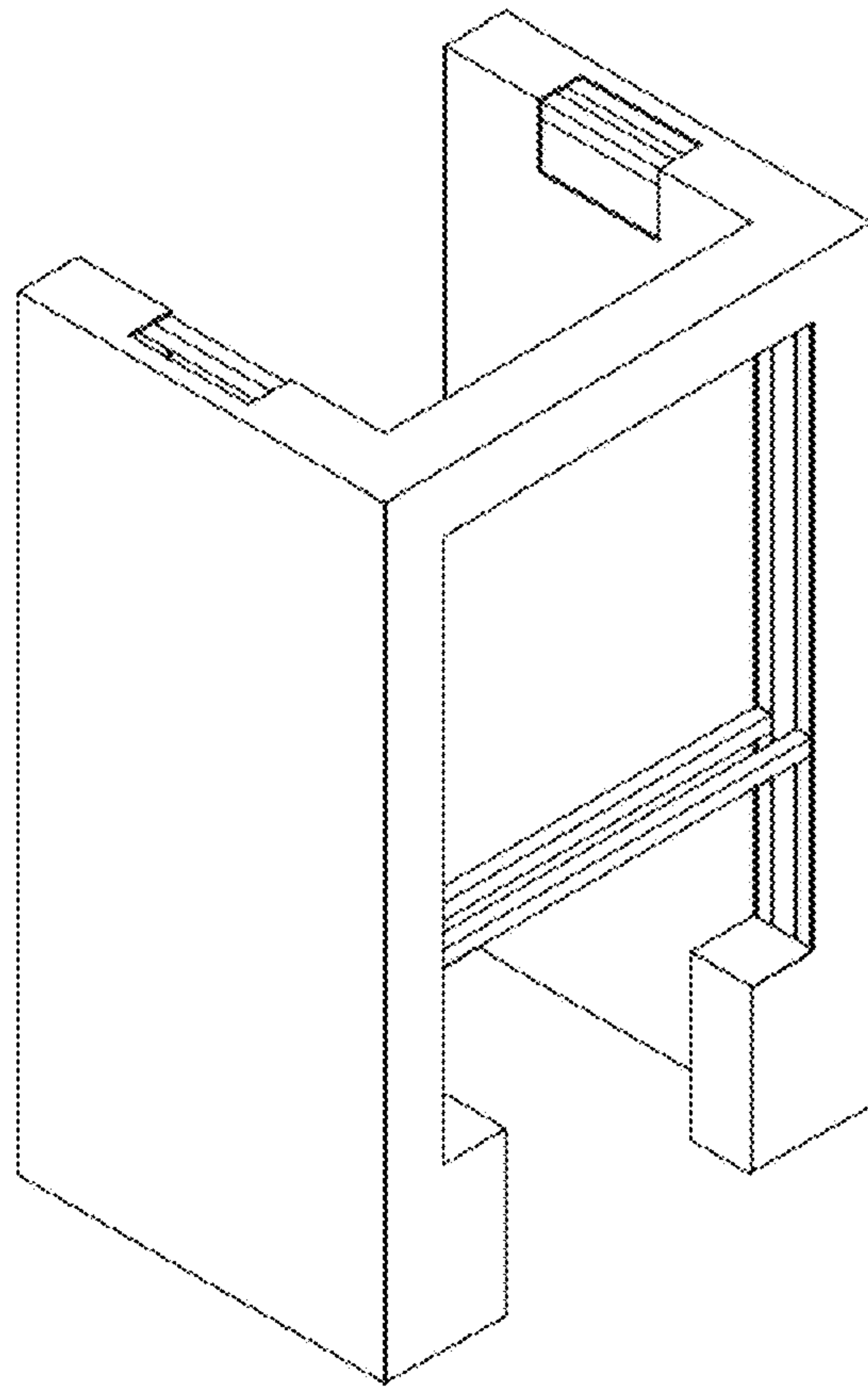


FIG. 1

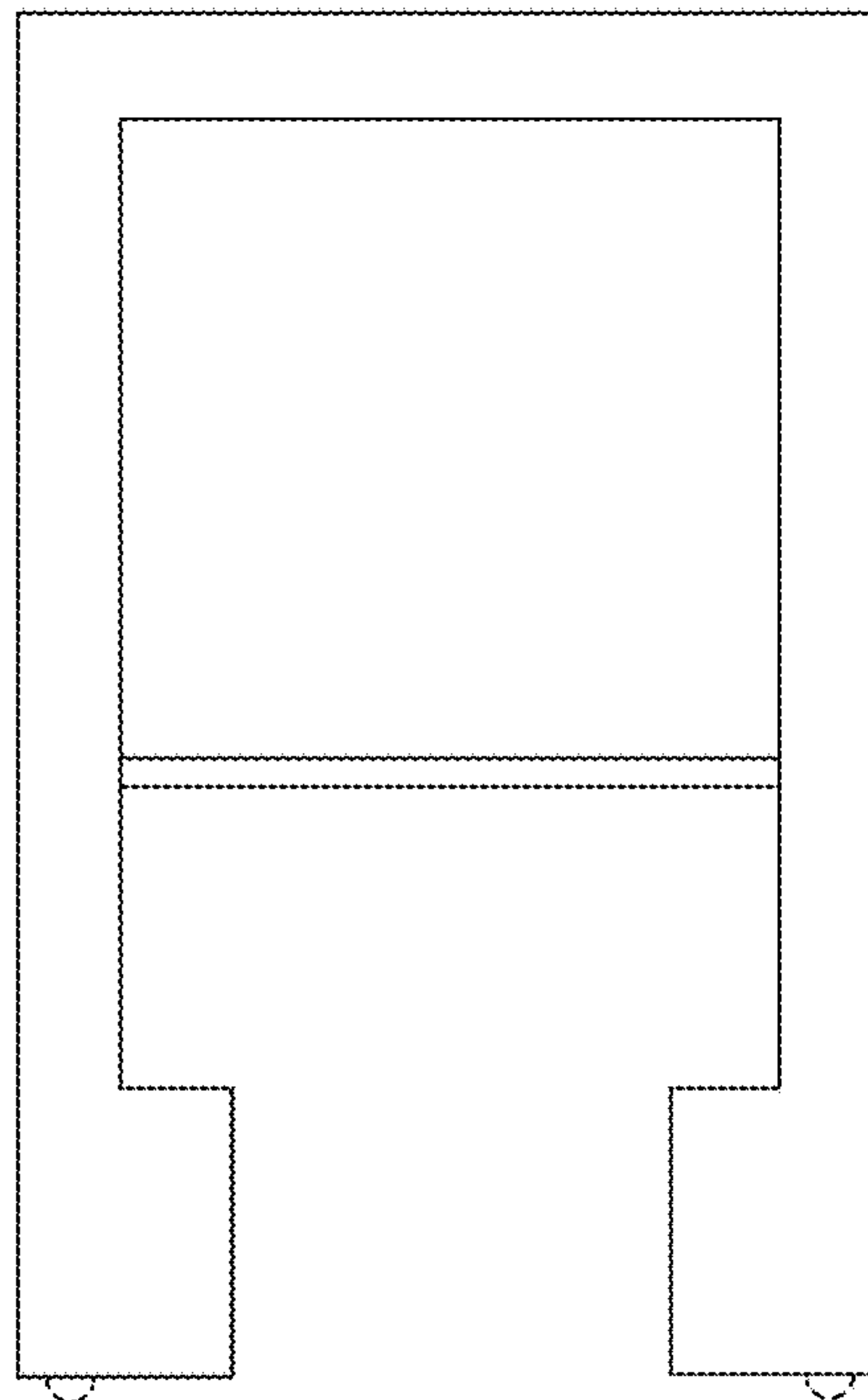


FIG. 2

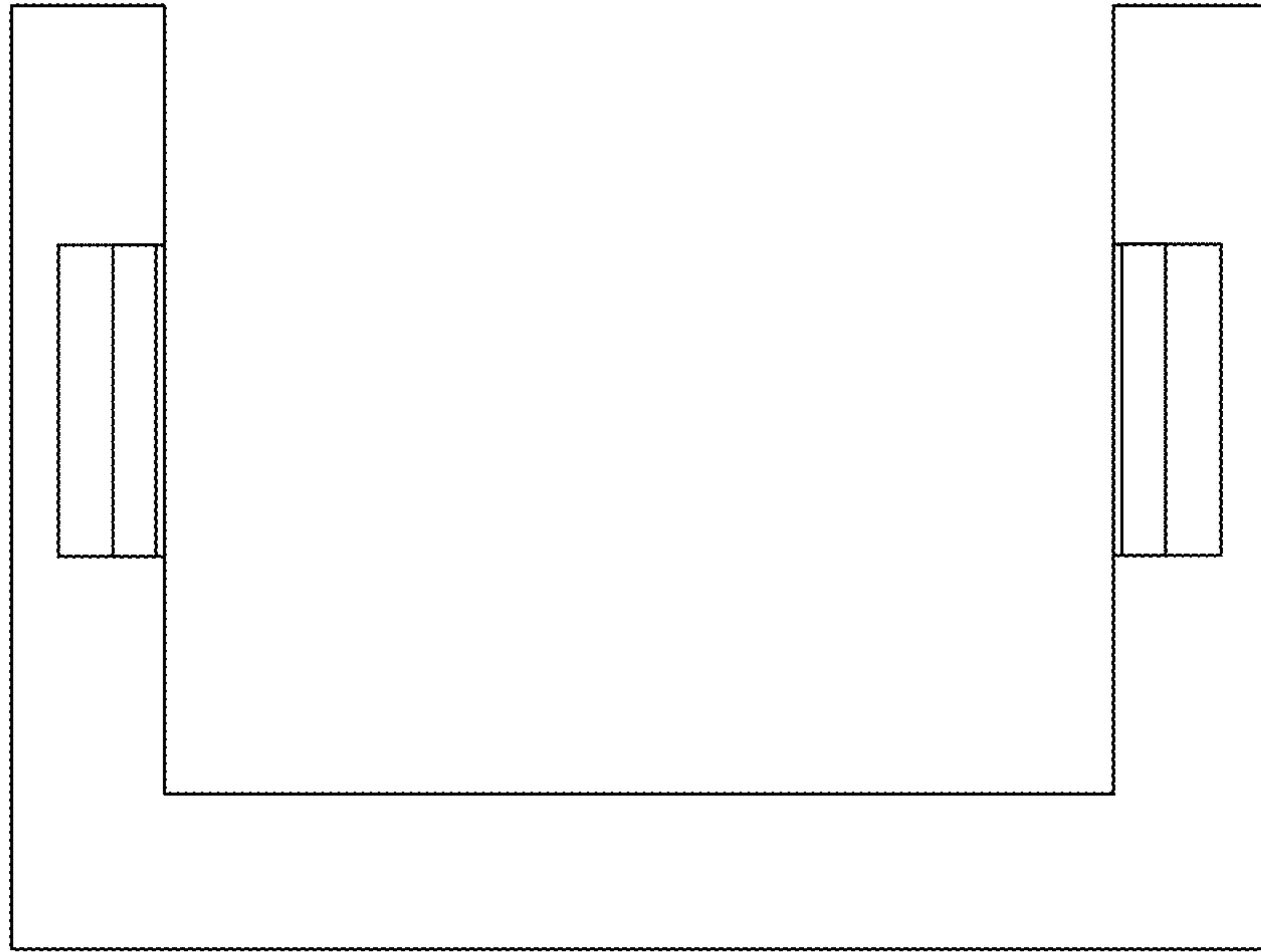


FIG. 3

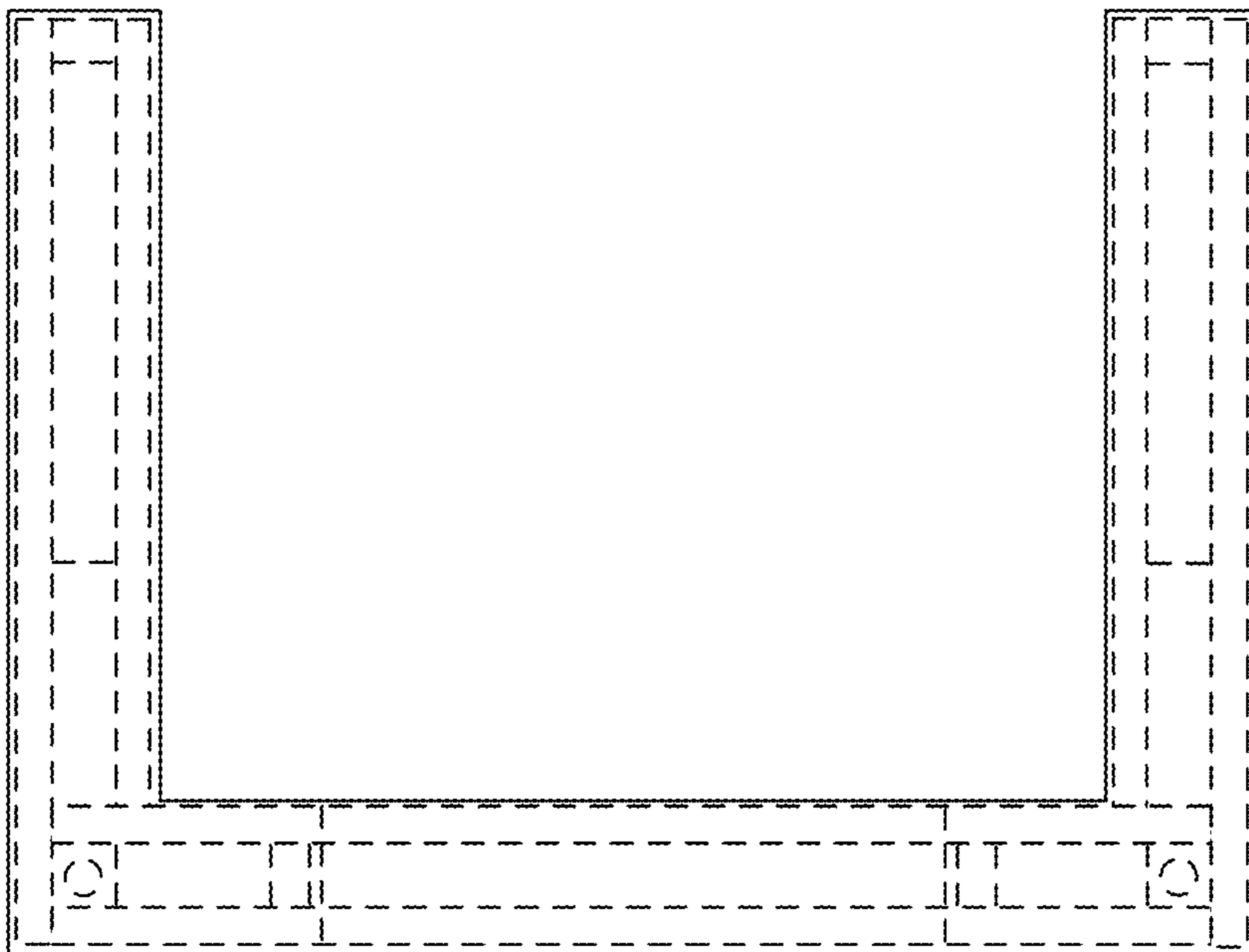


FIG. 4

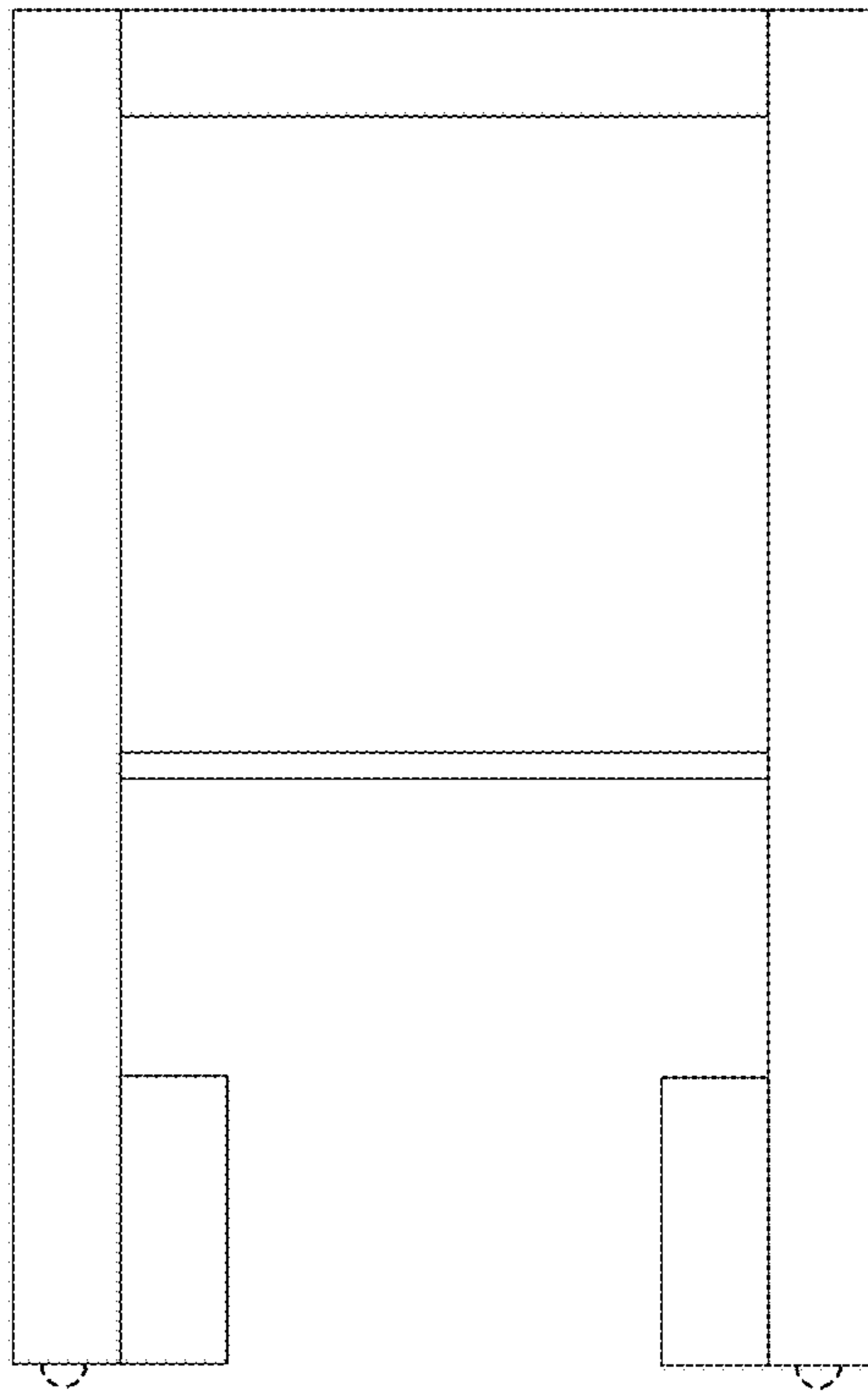


FIG. 5

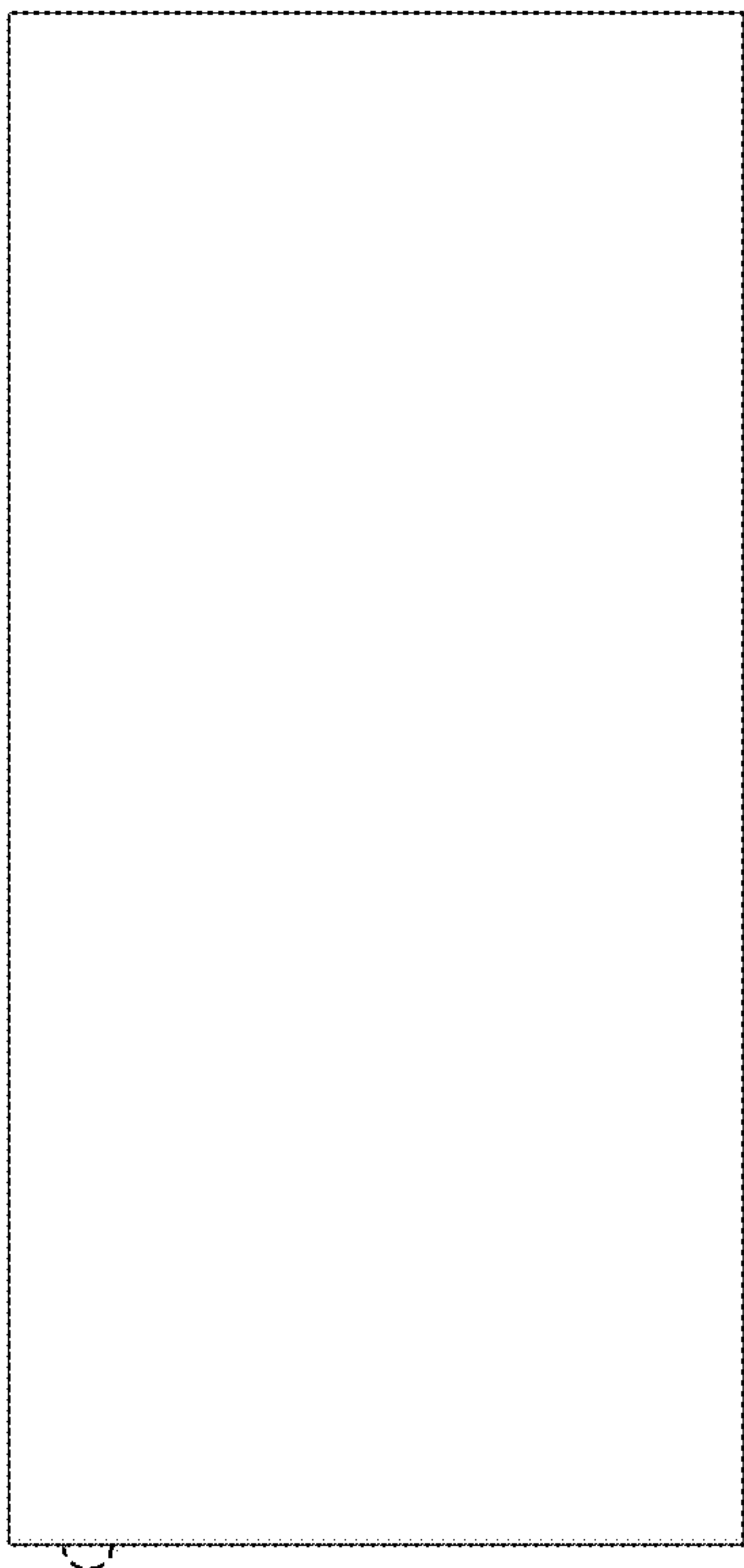


FIG. 6

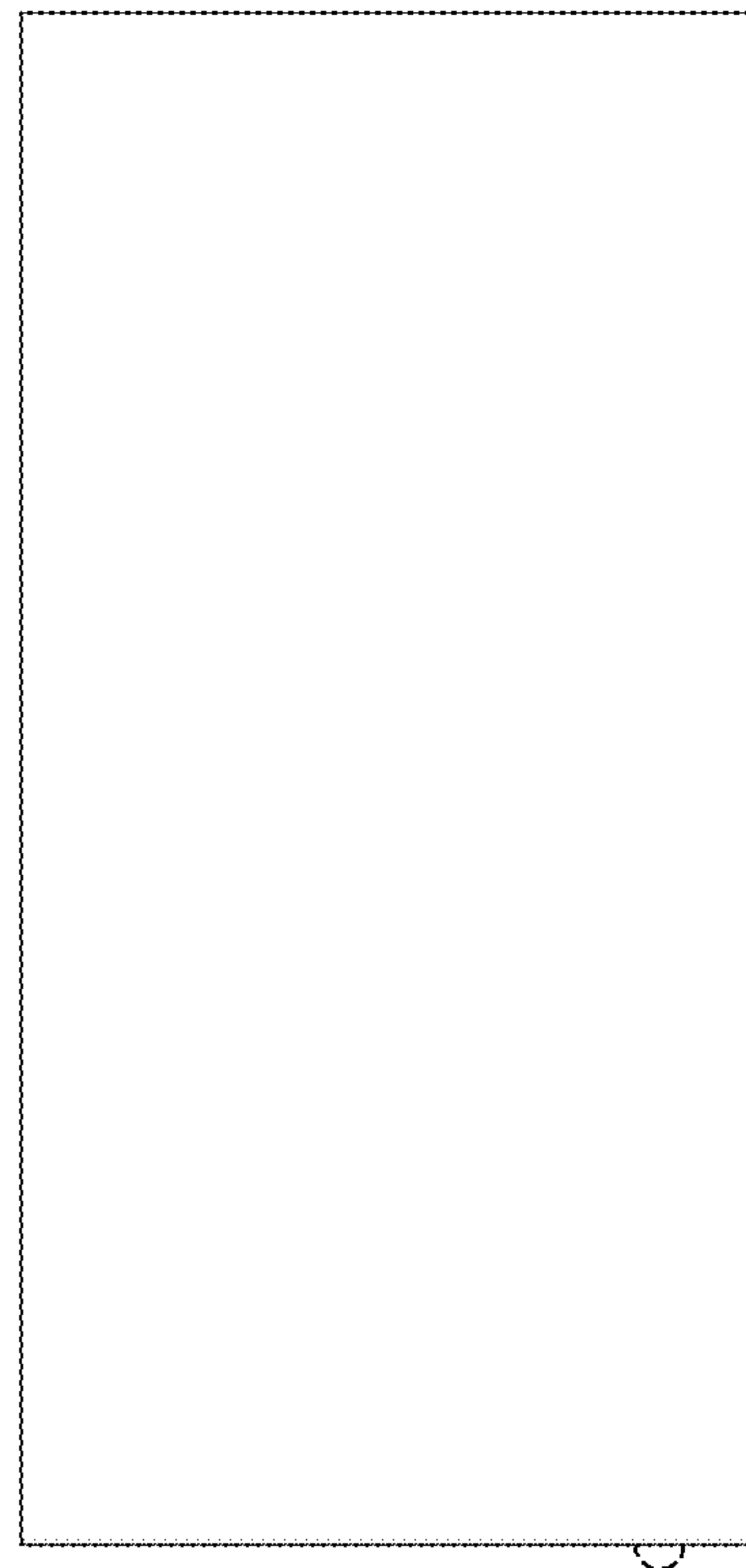


FIG. 7