



US00D825152S

(12) **United States Design Patent**  
**Will**

(10) **Patent No.:** **US D825,152 S**

(45) **Date of Patent:** **\*\* Aug. 14, 2018**

(54) **BOOTIE**

(71) Applicant: **Stonz Wear Incorporated**, Vancouver (CA)

(72) Inventor: **Lisa Will**, Vancouver (CA)

(73) Assignee: **STONZ WEAR INCORPORATED**, Vancouver (CA)

(\*\*) Term: **15 Years**

(21) Appl. No.: **29/591,669**

(22) Filed: **Jan. 23, 2017**

(30) **Foreign Application Priority Data**

Jul. 29, 2016 (CA) ..... 170261

(51) **LOC (11) Cl.** ..... **02-04**

(52) **U.S. Cl.**  
USPC ..... **D2/900; D2/910; D2/953**

(58) **Field of Classification Search**

USPC ..... D2/897-900, 909-912, 970, 953, 969

CPC .... A43B 7/32; A43B 7/34; A43B 7/36; A43B 7/00; A43B 3/16; A43B 3/163

See application file for complete search history.

(56) **References Cited**

**U.S. PATENT DOCUMENTS**

4,532,724 A \* 8/1985 Okoshi ..... A43B 7/36  
36/2 R

D291,140 S \* 8/1987 Gjendemsjo ..... D2/901

D428,686 S *	8/2000	D'Andrea	.....	D2/909
D442,356 S *	5/2001	Aschenbrenner	.....	D2/909
D461,294 S *	8/2002	Cook	.....	D2/909
D475,841 S *	6/2003	Cook	.....	D2/909
D475,842 S *	6/2003	Cook	.....	D2/909
D692,214 S *	10/2013	Blumkin	.....	D2/911
D721,472 S *	1/2015	Solsona	.....	D2/910
D722,422 S *	2/2015	Solsona	.....	D2/910

**OTHER PUBLICATIONS**

Stonz 2015/16 Product Line Catalogue/Brochure.

\* cited by examiner

*Primary Examiner* — Holly H Baynham

*Assistant Examiner* — Rashida C Walshon

(74) *Attorney, Agent, or Firm* — Norton Rose Fulbright Canada LLP

(57) **CLAIM**

The ornamental design for a bootie, as shown and described.

**DESCRIPTION**

FIG. 1 is a perspective view of a bootie according to my new design;

FIG. 2 is a front view of the bootie of FIG. 1;

FIG. 3 is a rear view of the bootie of FIG. 1;

FIG. 4 is a top view of the bootie of FIG. 1;

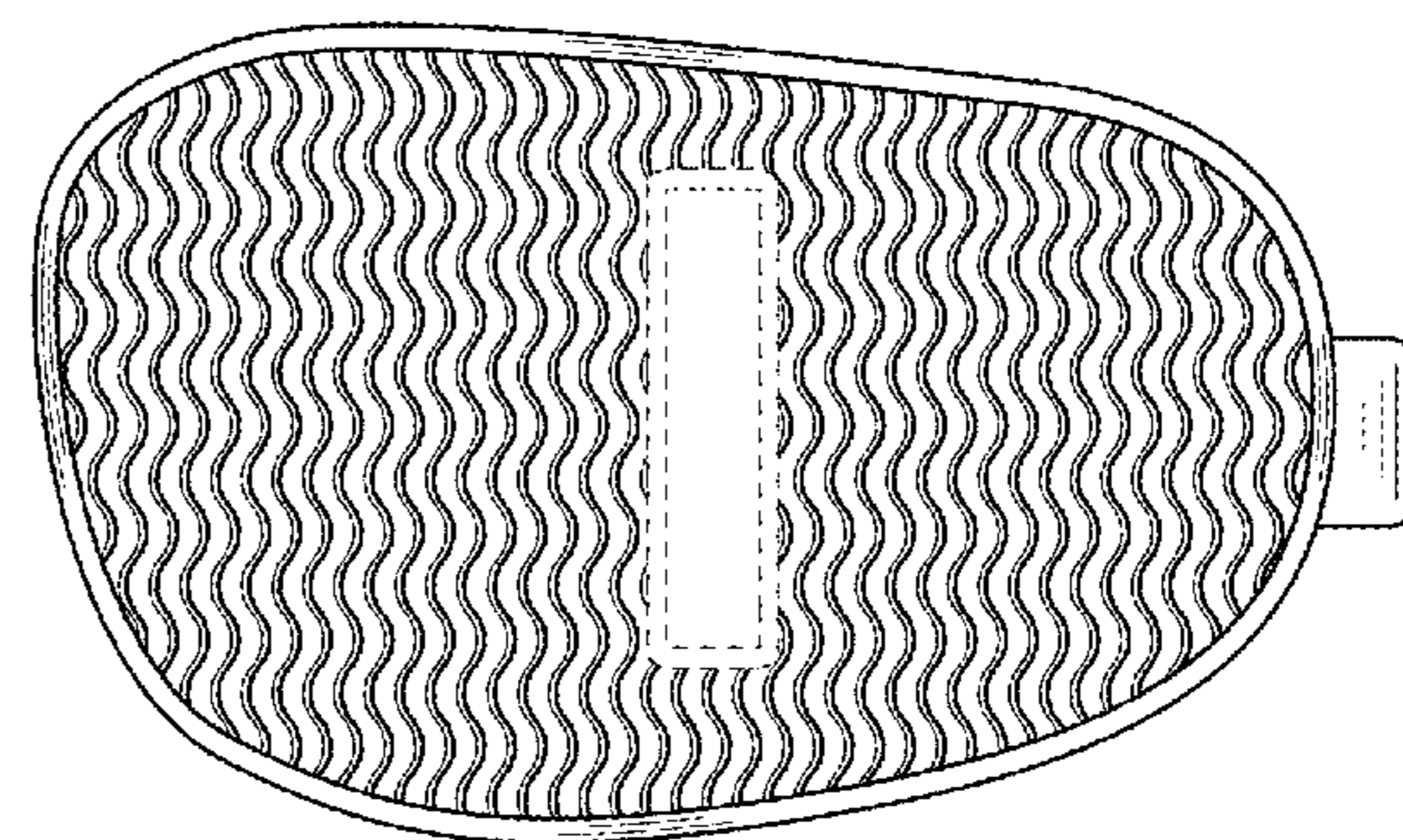
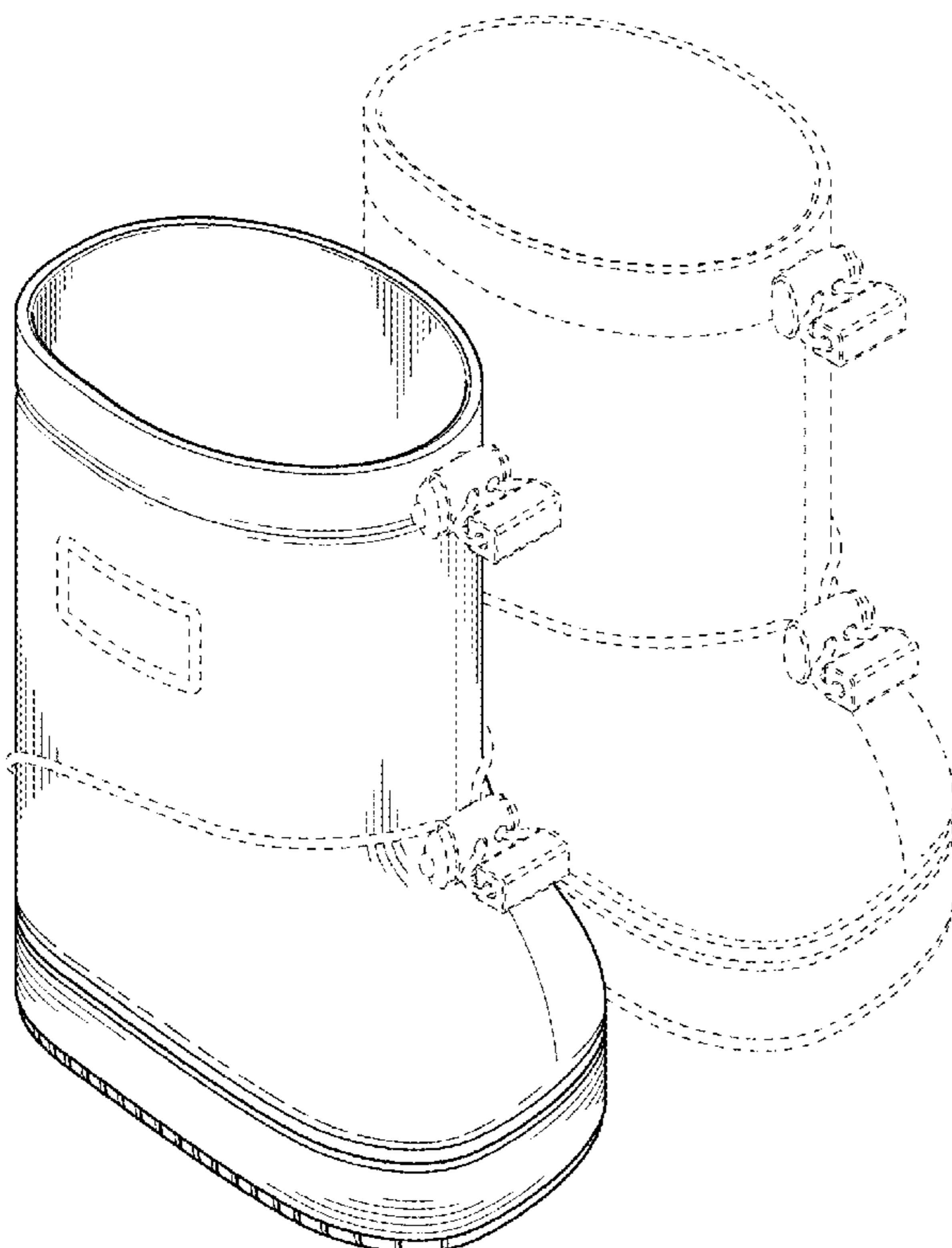
FIG. 5 is a right side view of the bootie of FIG. 1;

FIG. 6 is a left side view of the bootie of FIG. 1; and,

FIG. 7 is a bottom view of the bootie of FIG. 1.

The broken lines shown in the drawings illustrate portions of the bootie that form no part of the claimed design.

**1 Claim, 5 Drawing Sheets**



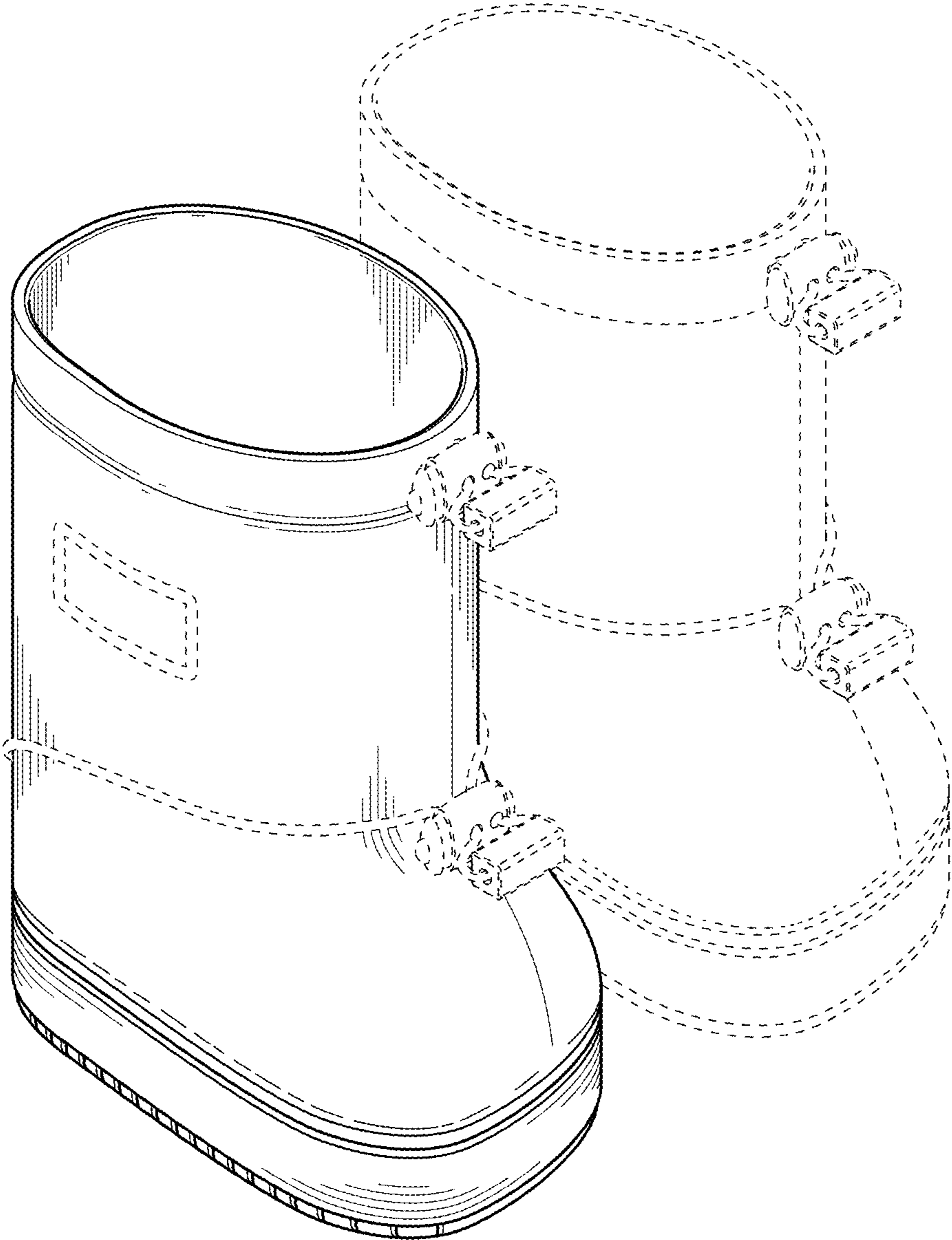
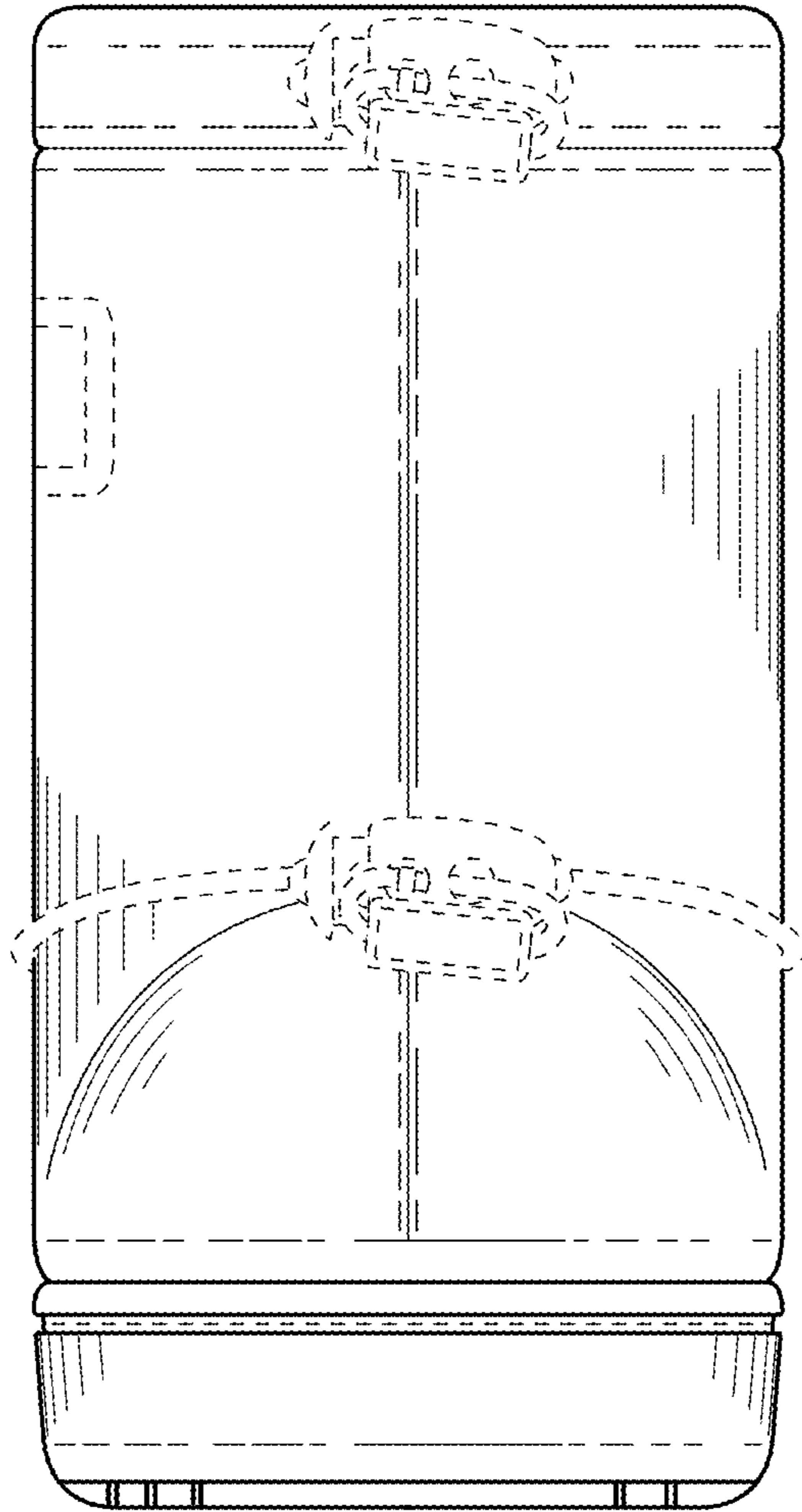
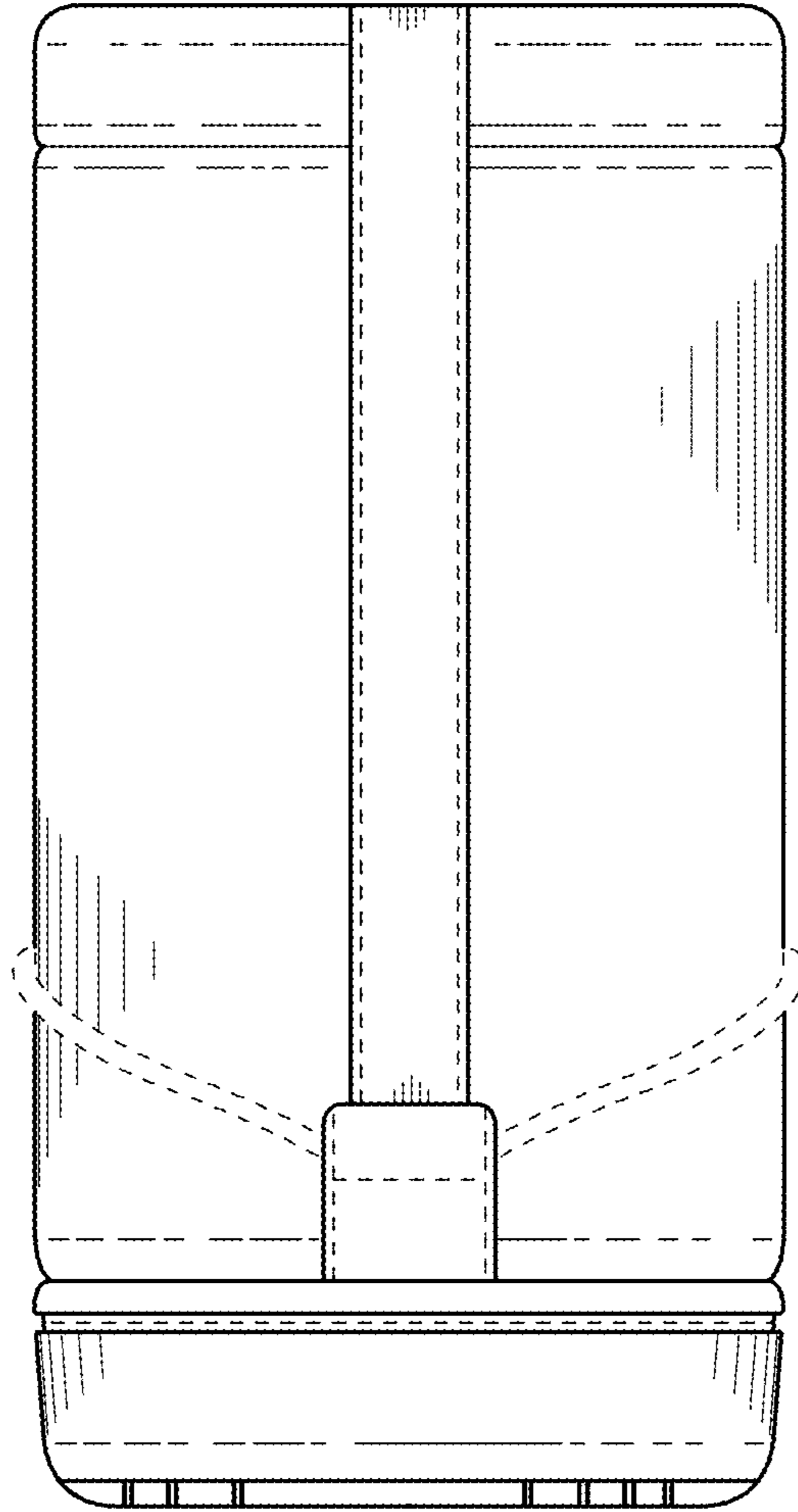


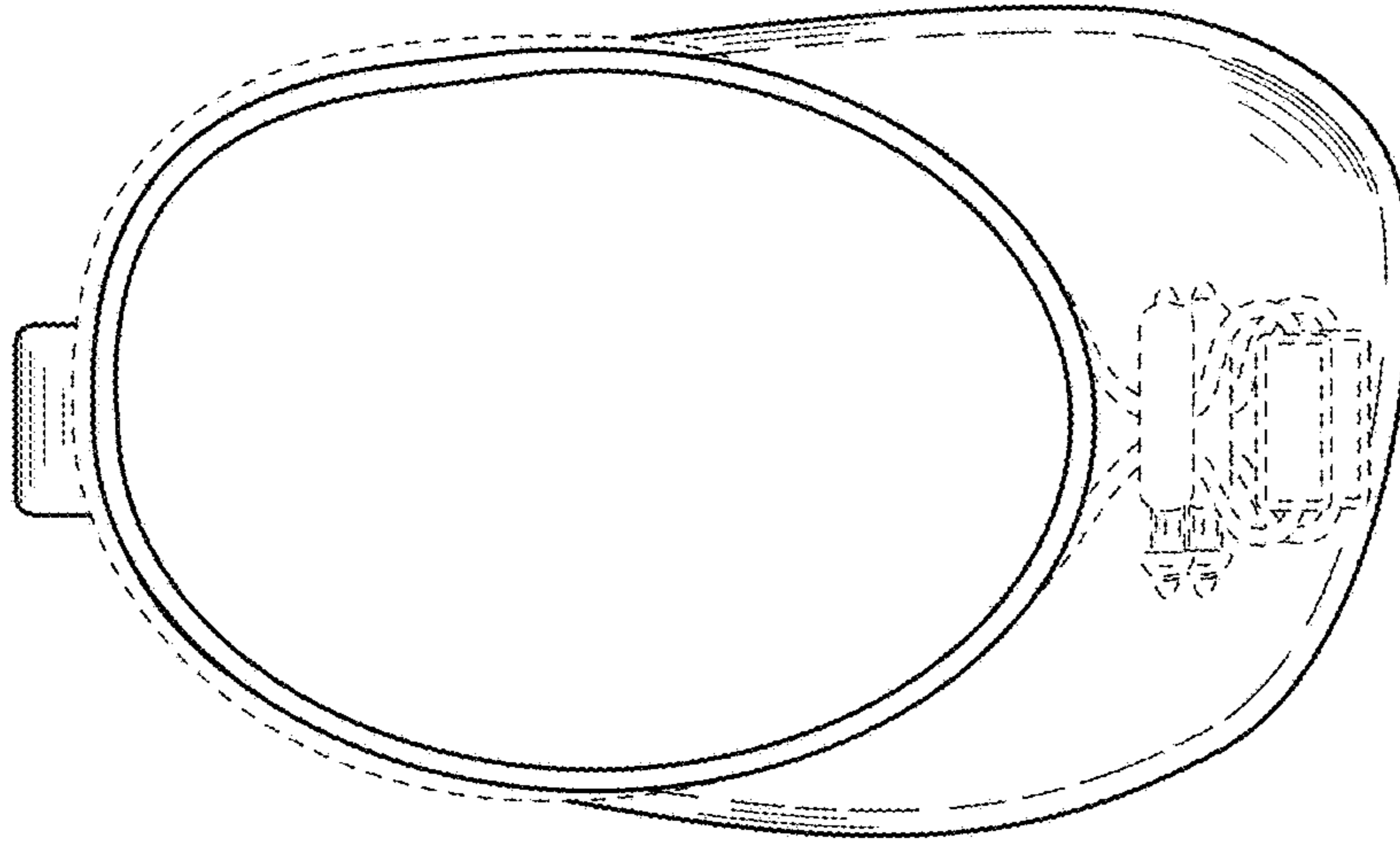
FIG. 1



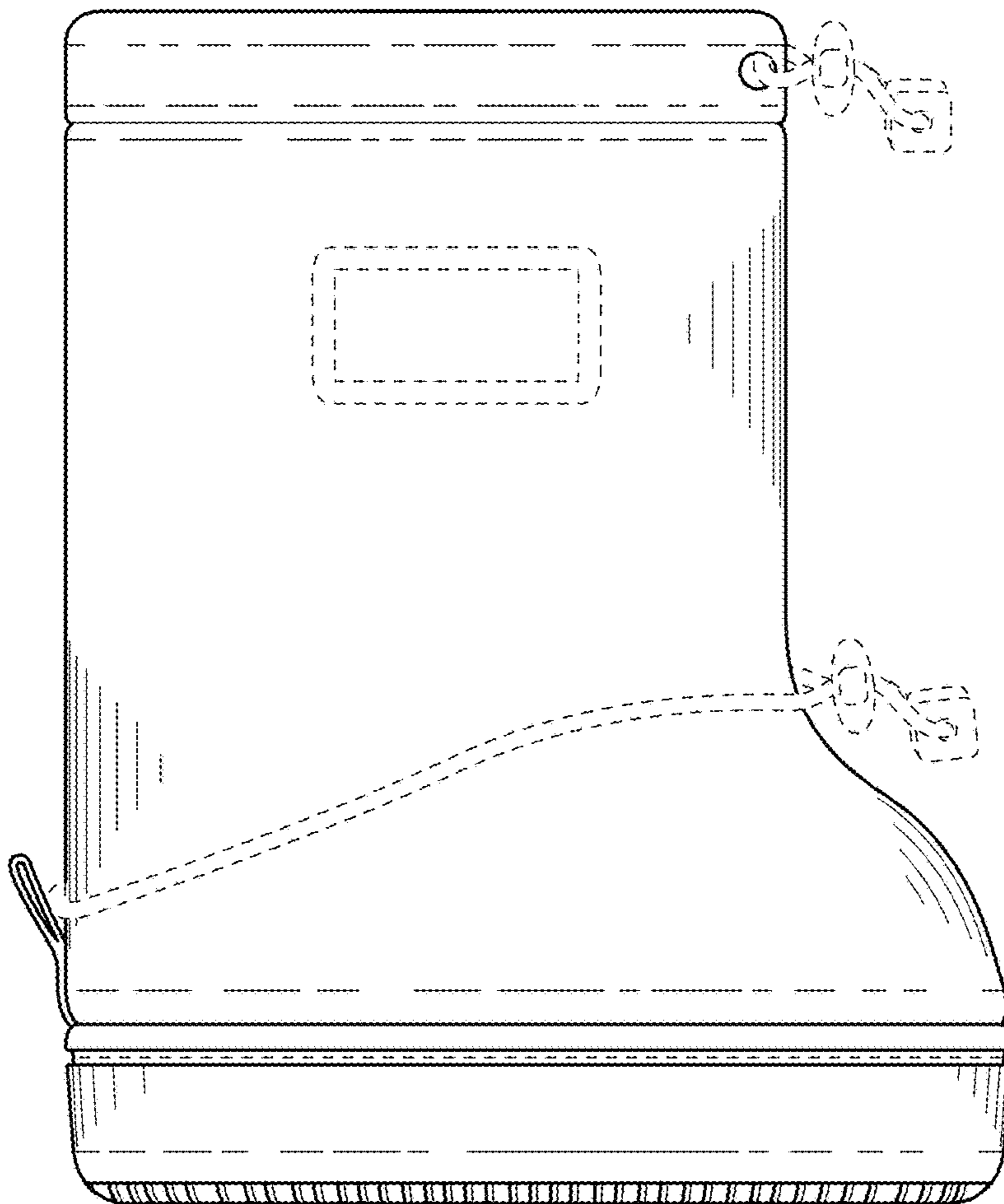
**FIG. 2**



**FIG. 3**



**FIG. 4**



**FIG. 5**

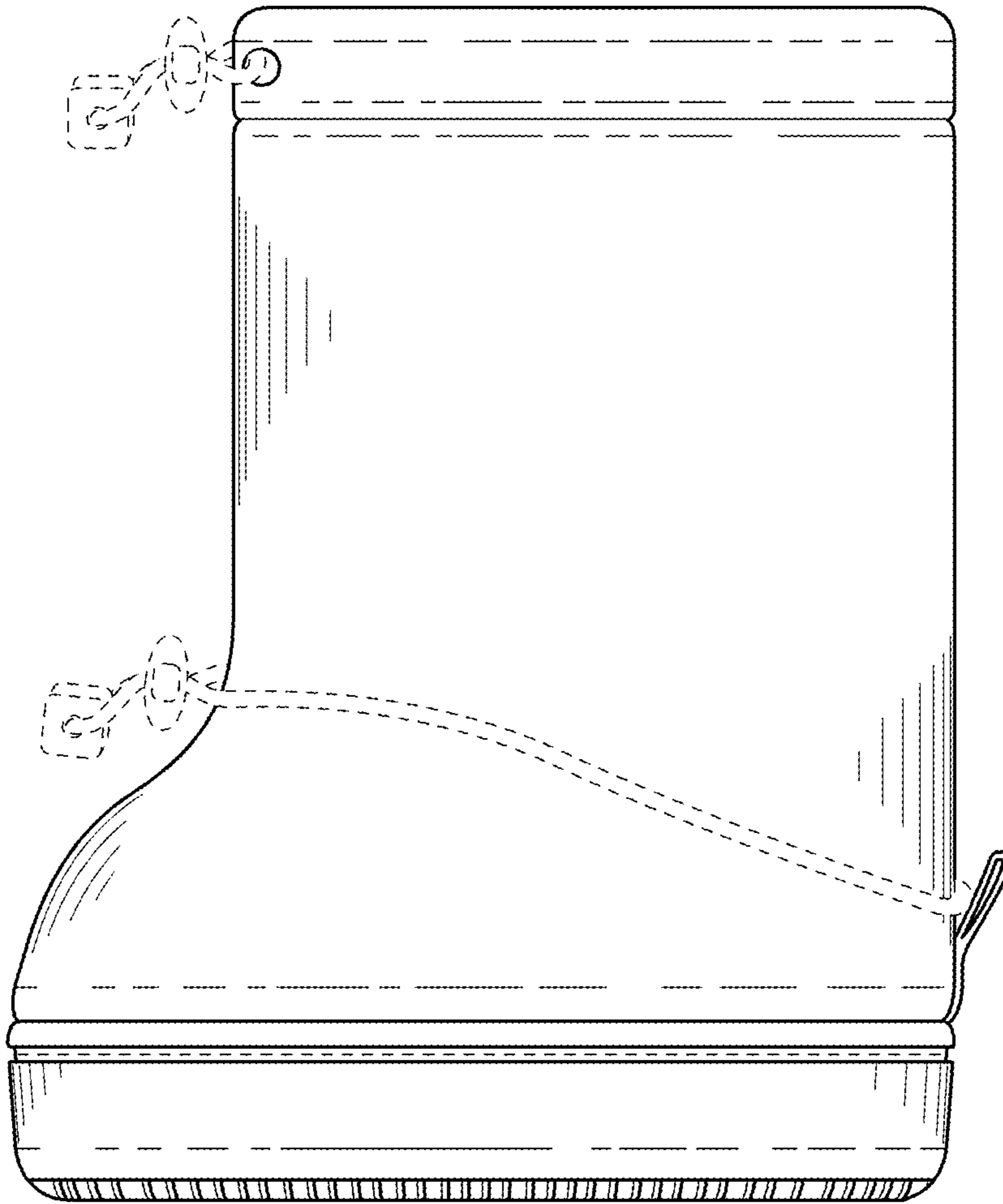


FIG. 6

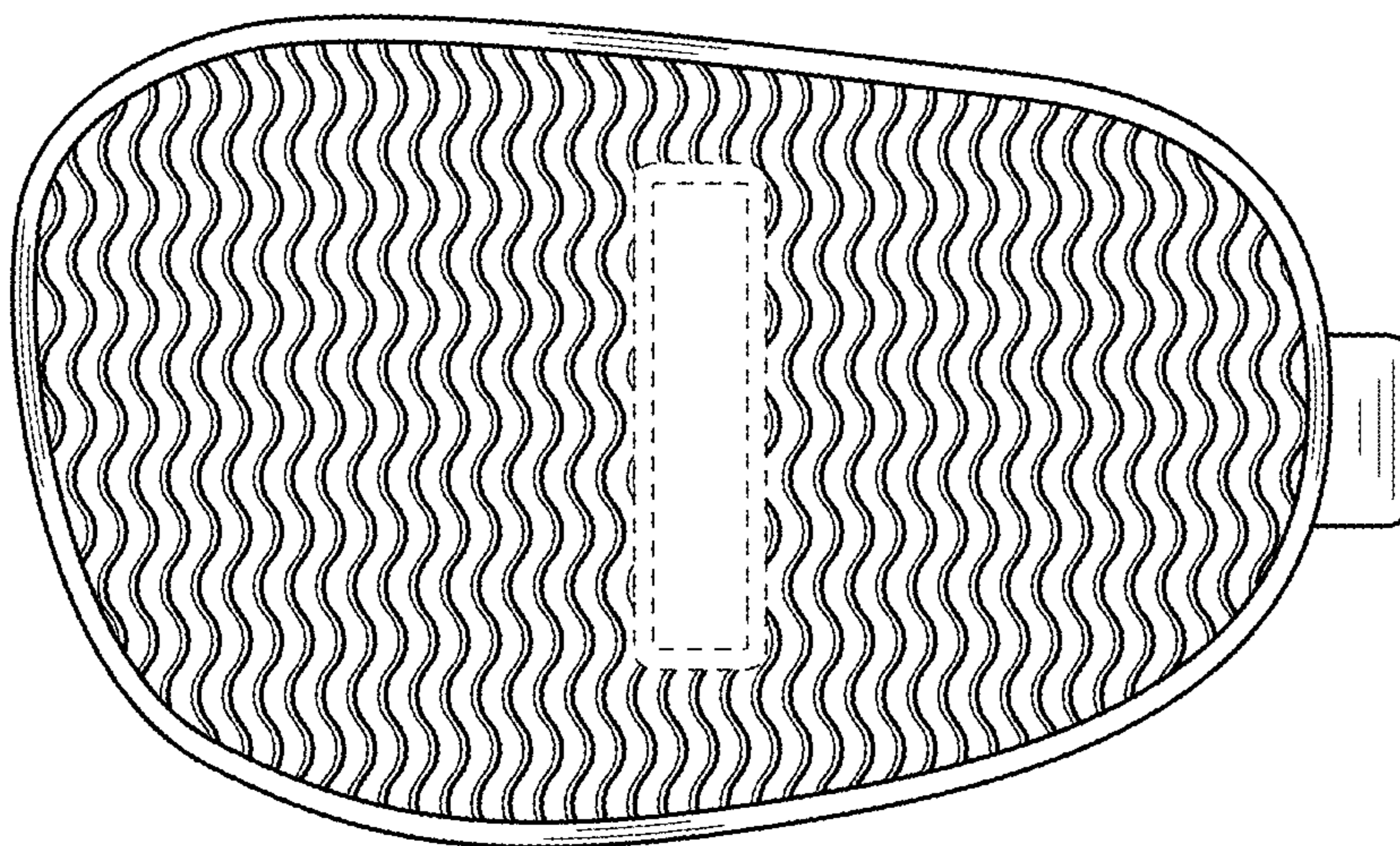


FIG. 7