

US00D825151S

(12) **United States Design Patent** (10) **Patent No.:** **US D825,151 S**
Williams et al. (45) **Date of Patent:** **** Aug. 14, 2018**

(54) **HAT**
(71) Applicants: **Ta'shion Williams**, Spring Valley, CA (US); **Kakuzah Blair**, Spring Valley, CA (US)
(72) Inventors: **Ta'shion Williams**, Spring Valley, CA (US); **Kakuzah Blair**, Spring Valley, CA (US)
(**) Term: **15 Years**
(21) Appl. No.: **29/604,698**
(22) Filed: **May 19, 2017**
(51) **LOC (11) Cl.** **02-03**
(52) **U.S. Cl.** **D2/882**
USPC **D2/882**
(58) **Field of Classification Search**
USPC D2/865, 866, 869, 871, 872, 873, 876, D2/879, 882, 886, 891, 893
CPC A42B 1/00; A42B 1/004; A42B 1/006; A42B 1/02; A42B 1/06; A42B 1/061; A42B 1/062; A42B 1/063; A42B 1/24; A42B 1/241
See application file for complete search history.

D548,429 S * 8/2007 Saveliev D2/882
D570,578 S * 6/2008 Hornback D2/882
D571,983 S * 7/2008 Scott D2/882
D656,714 S * 4/2012 Schmelzer D2/893
D744,208 S * 12/2015 Brewer D2/893
D771,357 S * 11/2016 Brewer D2/893
D781,535 S * 3/2017 Singletery D2/893

* cited by examiner

Primary Examiner — Karen S Acker
Assistant Examiner — Jasmine Mlinarcik
(74) *Attorney, Agent, or Firm* — Dunlap Bennett & Ludwig PLLC

(56) **References Cited**
U.S. PATENT DOCUMENTS

D386,889 S * 12/1997 Bell D2/884
D477,453 S * 7/2003 Noble D2/882

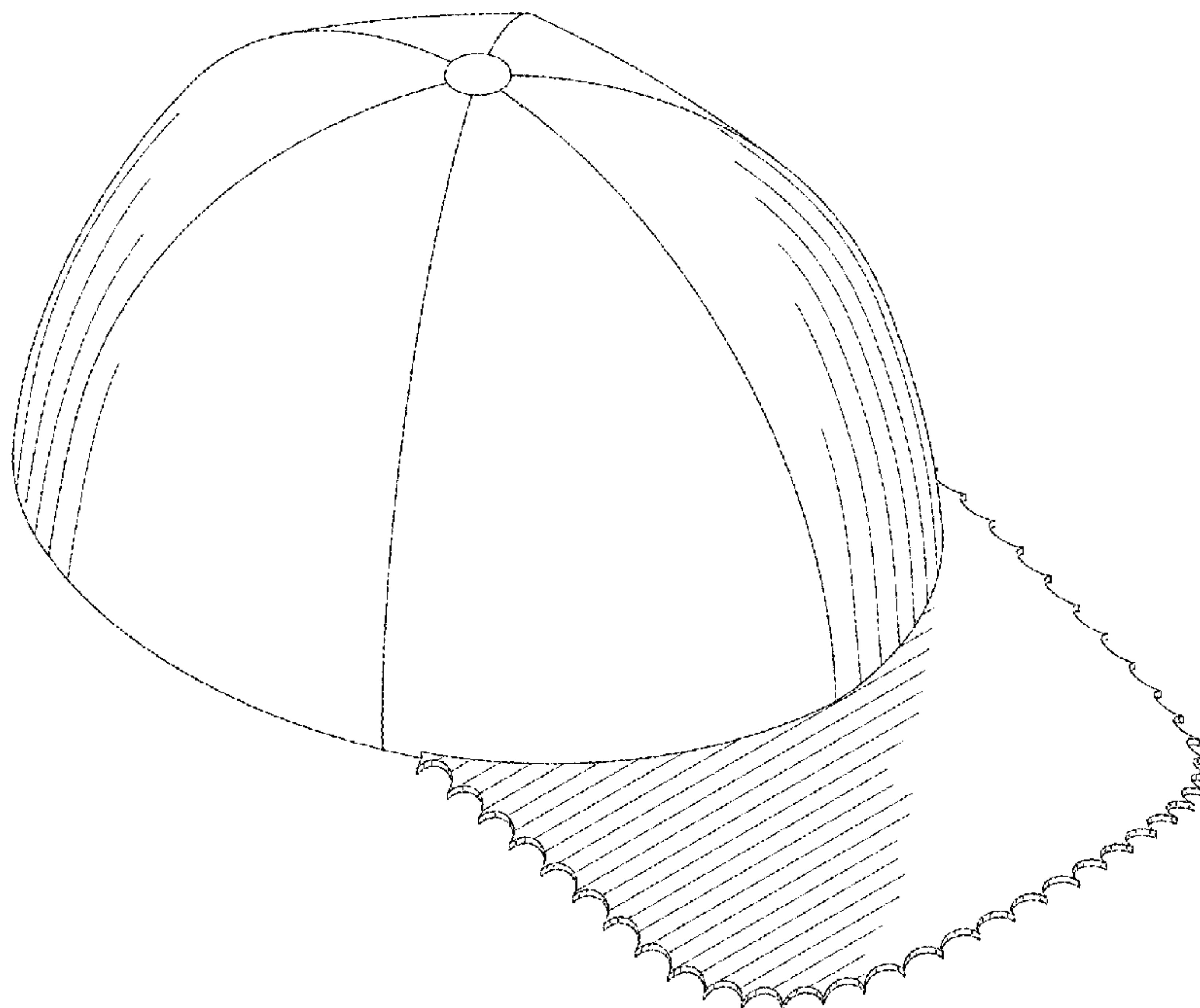
(57) **CLAIM**

The ornamental design for a hat, as shown and described.

DESCRIPTION

FIG. 1 is a top front perspective view of a hat;
FIG. 2 is a right elevation view thereof, with the left elevation view being a mirror image thereof;
FIG. 3 is a top plan view thereof;
FIG. 4 is a bottom plan view thereof;
FIG. 5 is a front elevation view thereof; and,
FIG. 6 is a rear elevation view thereof.

1 Claim, 4 Drawing Sheets



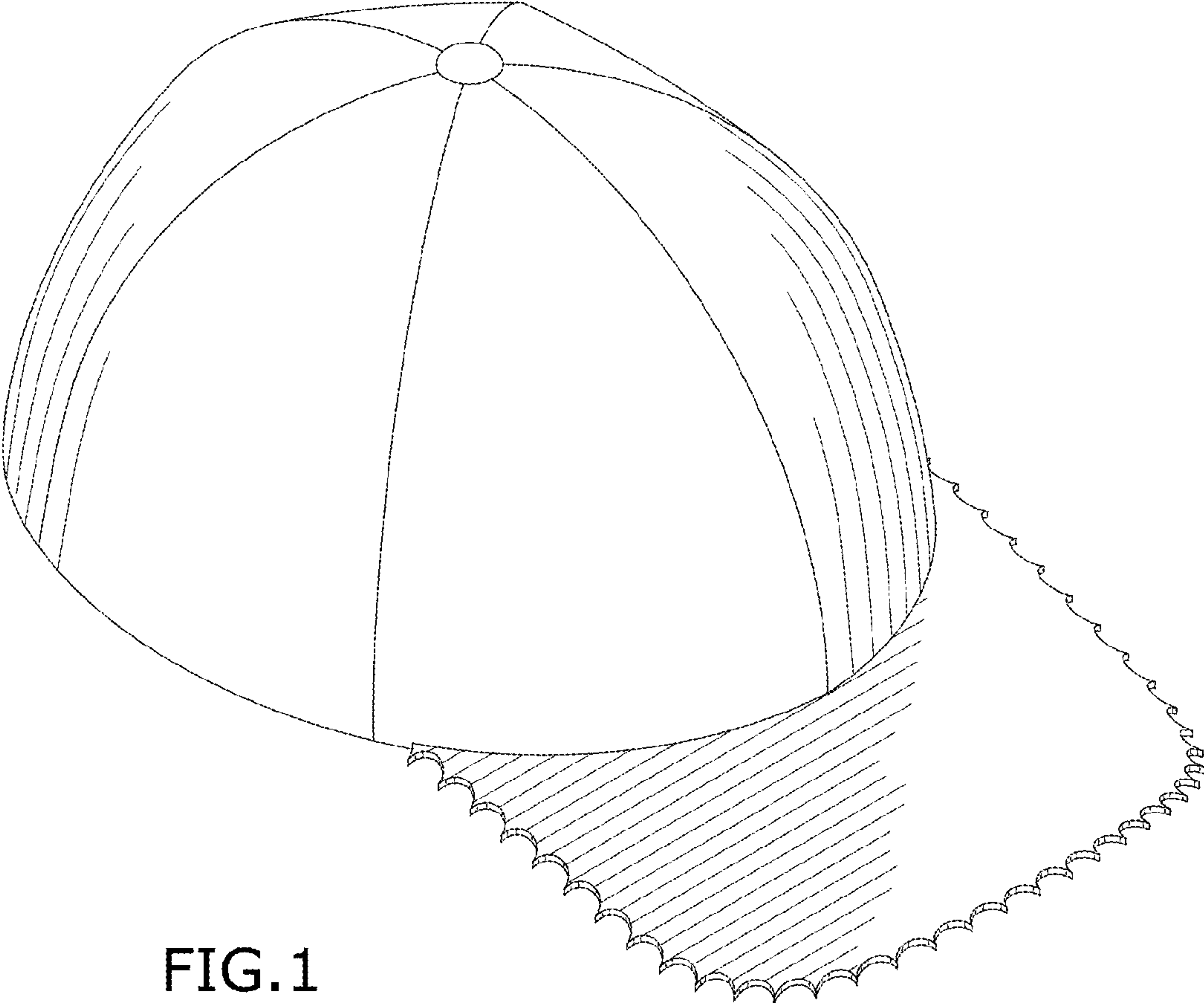


FIG. 1

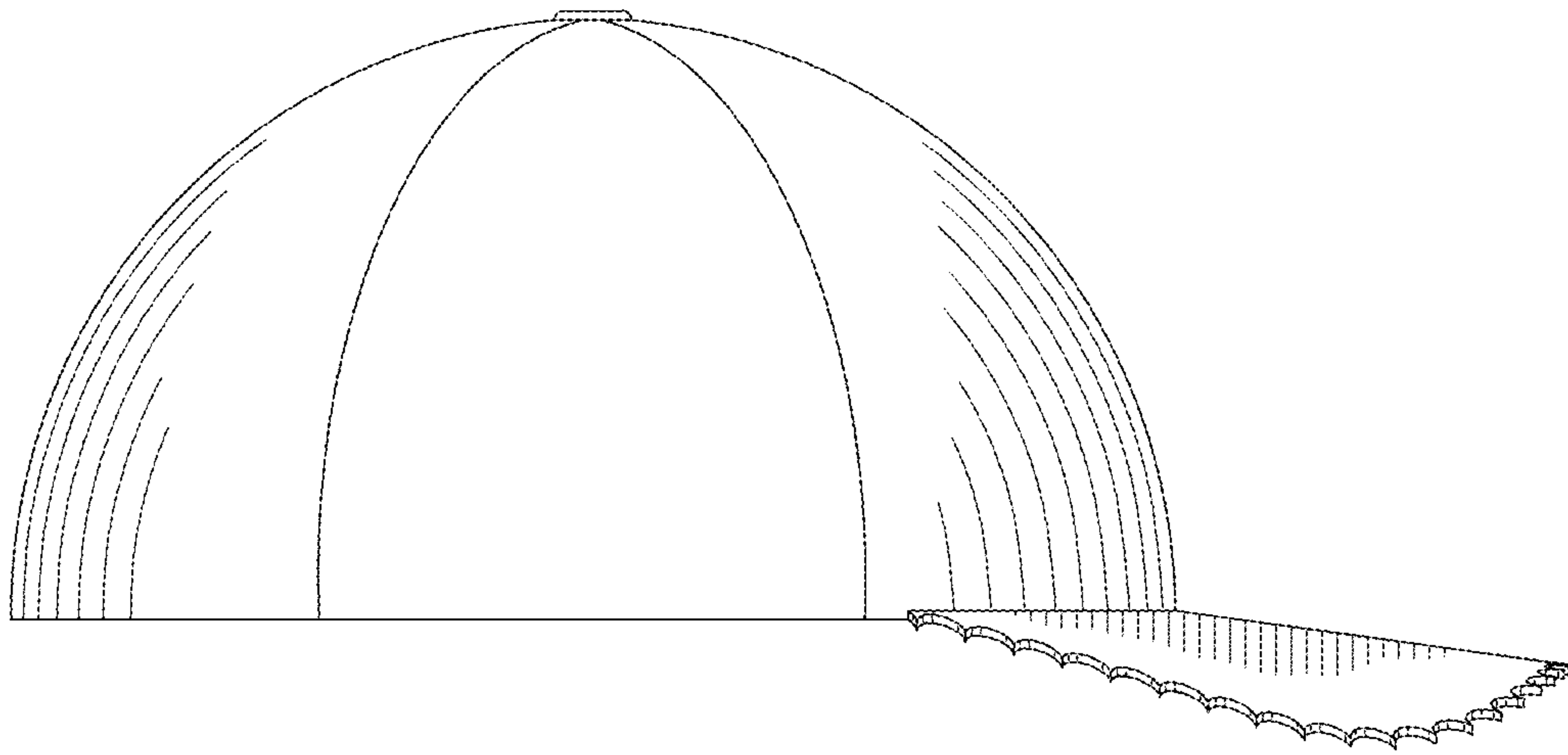


FIG.2

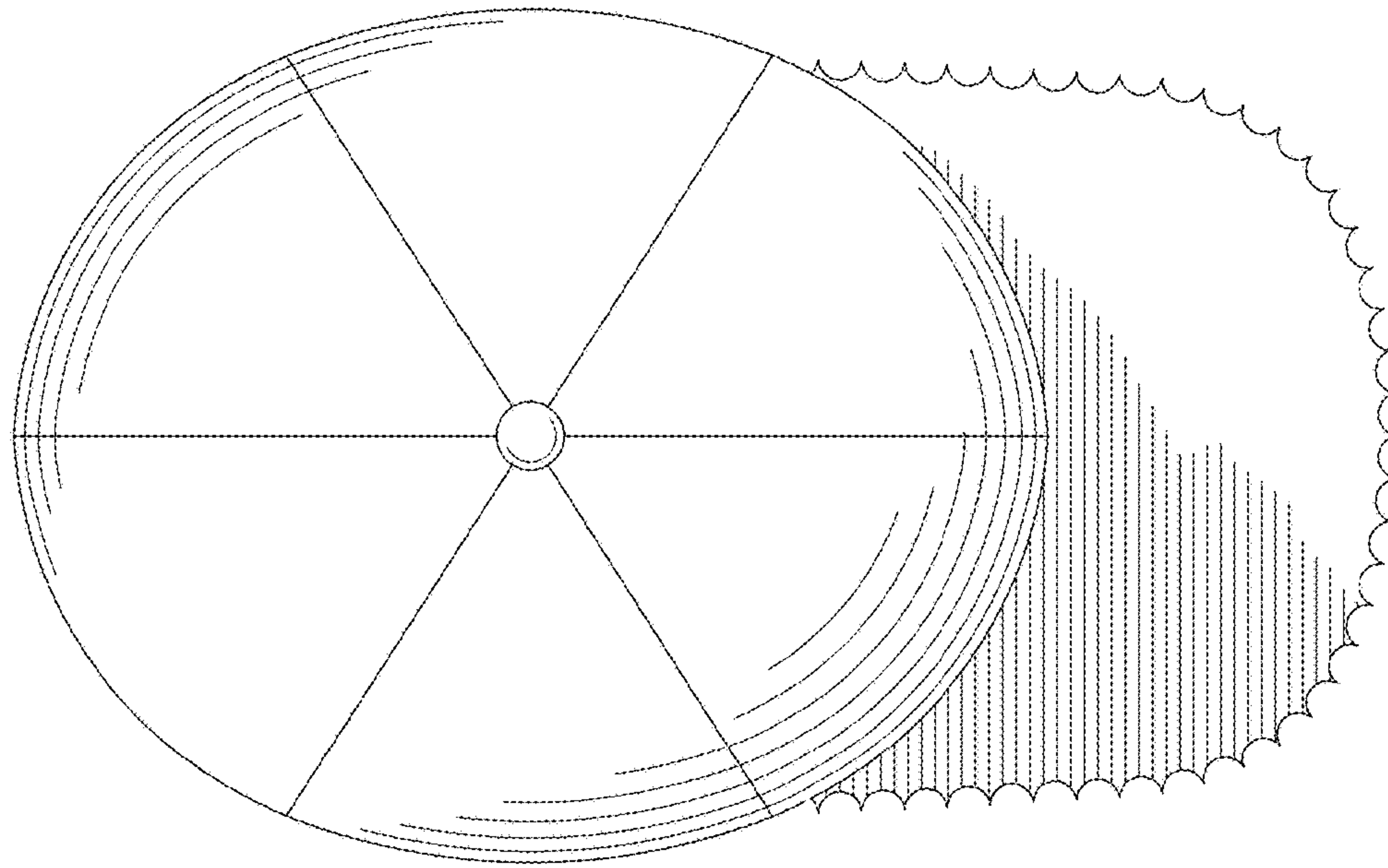


FIG. 3

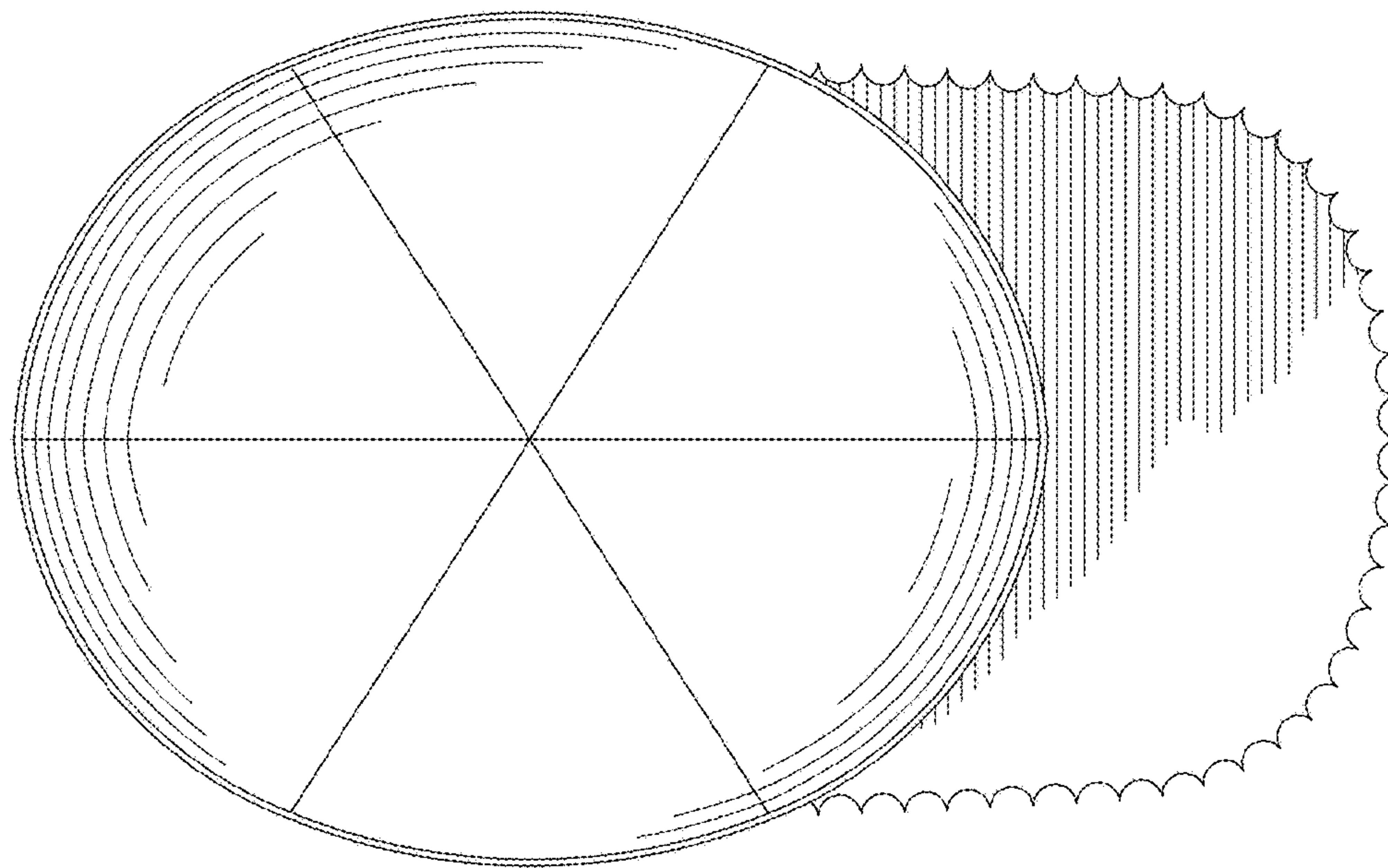


FIG. 4

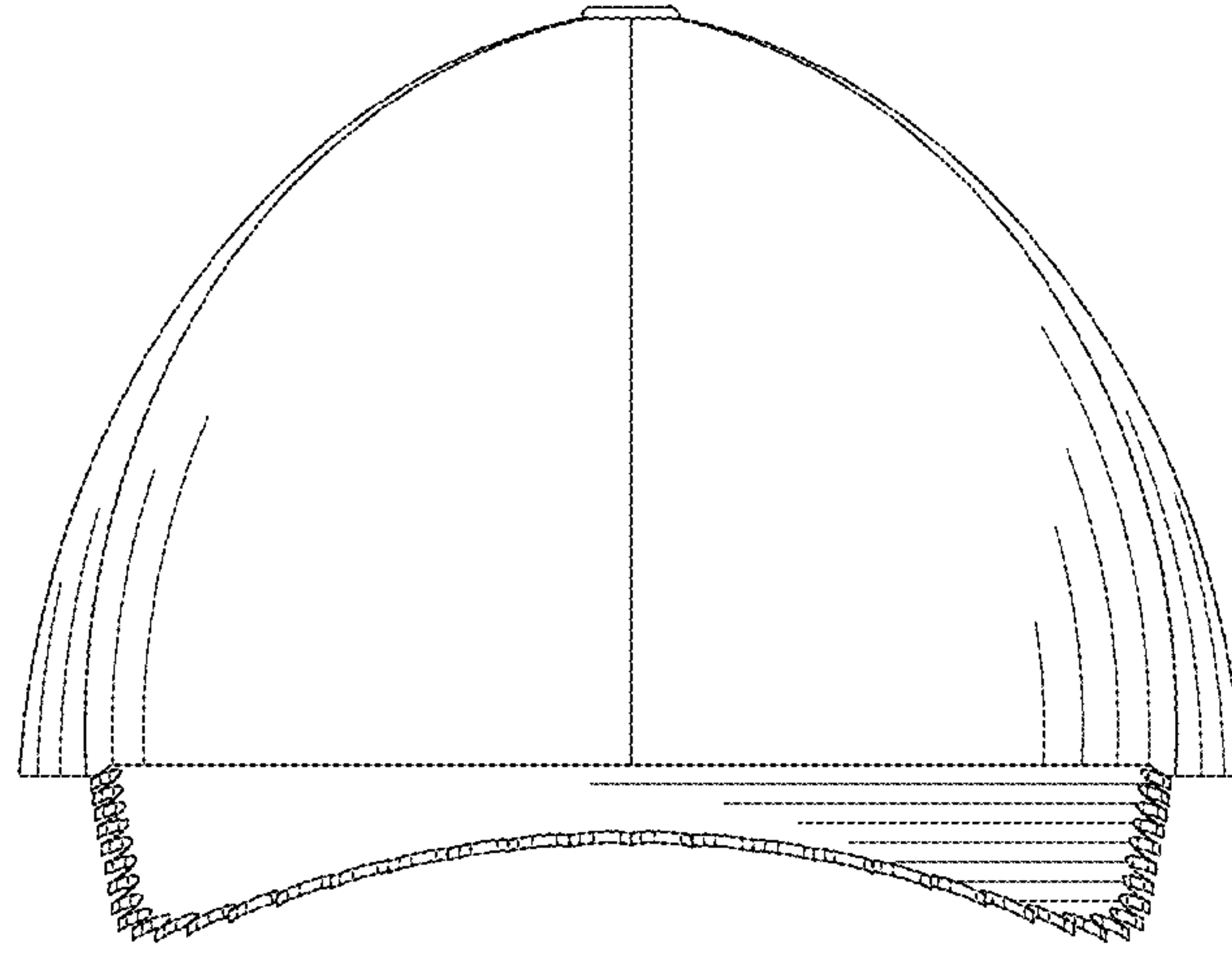


FIG. 5

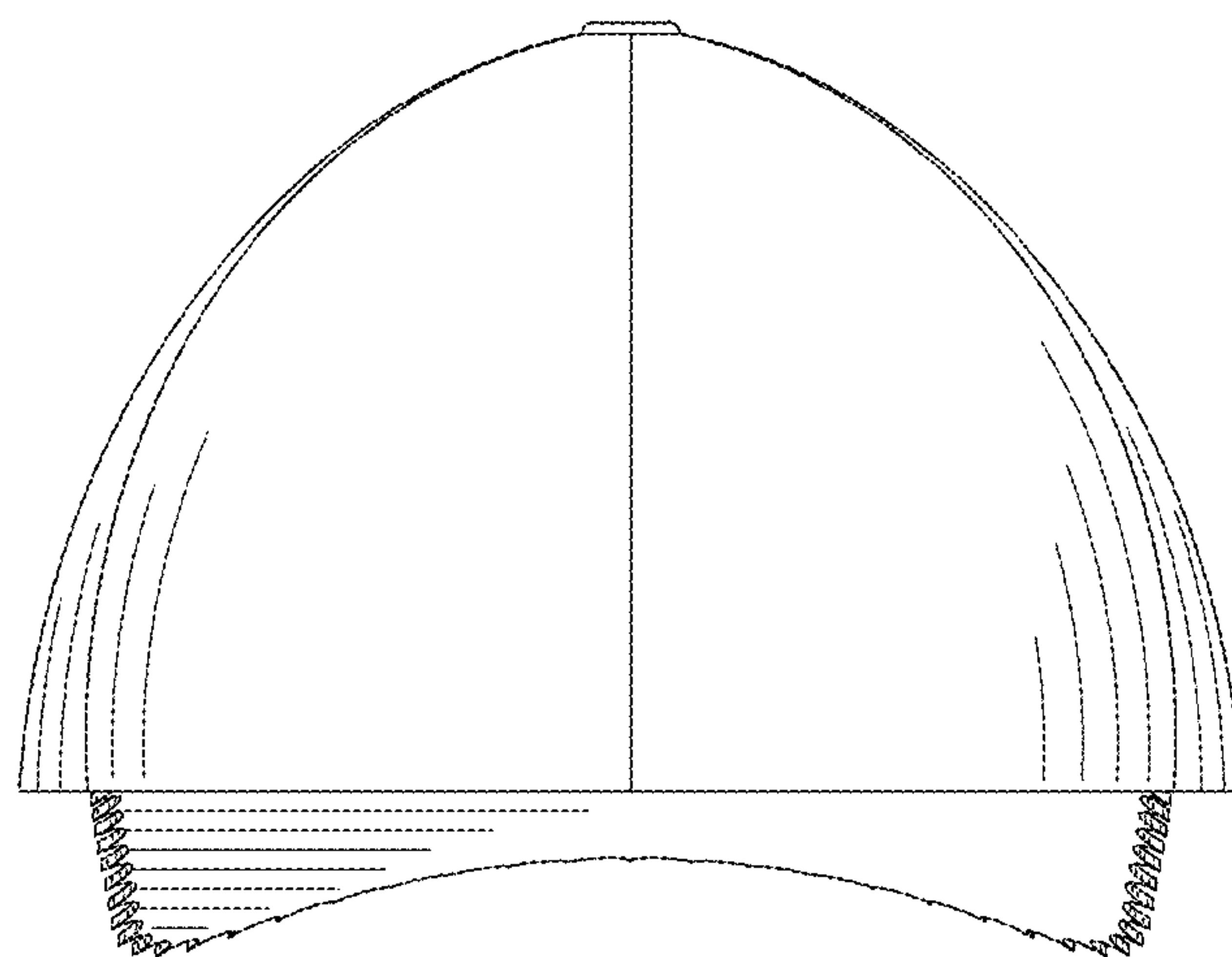


FIG. 6