



US00D825150S

(12) **United States Design Patent** (10) **Patent No.:** **US D825,150 S**
Malcolm (45) **Date of Patent:** **** Aug. 14, 2018**

(54) **DOUBLE BILLED CAP**
(71) Applicant: **Kingsley Malcolm**, Apopka, FL (US)
(72) Inventor: **Kingsley Malcolm**, Apopka, FL (US)
(**) Term: **15 Years**
(21) Appl. No.: **29/582,264**
(22) Filed: **Oct. 26, 2016**
(51) **LOC (11) Cl.** **02-03**
(52) **U.S. Cl.**
USPC **D2/882**
(58) **Field of Classification Search**
USPC D2/865, 866, 869, 870, 872, 873, 878,
D2/879, 880, 881, 882, 883, 884, 886,
D2/891, 892, 893, 894, 895
CPC .. A42B 1/00; A42B 1/004; A42B 1/02; A42B
1/062; A42B 1/063; A42B 1/064; A42B
1/22; A42B 1/248
See application file for complete search history.

D679,074 S * 4/2013 Goico Morales D2/882
D692,643 S * 11/2013 Juarez D2/882
D765,357 S * 9/2016 Zenoff D2/866
2006/0107440 A1* 5/2006 Keffer A42B 1/064
2/175.1

FOREIGN PATENT DOCUMENTS

GB 6000299 * 8/2016

* cited by examiner

Primary Examiner — Thomas J Johannes
Assistant Examiner — Jasmine Mlinarcik
(74) *Attorney, Agent, or Firm* — Jason T. Daniel, Esq.;
Daniel Law Offices, P.A.

(57) **CLAIM**

The ornamental design for a double billed cap, as shown and described.

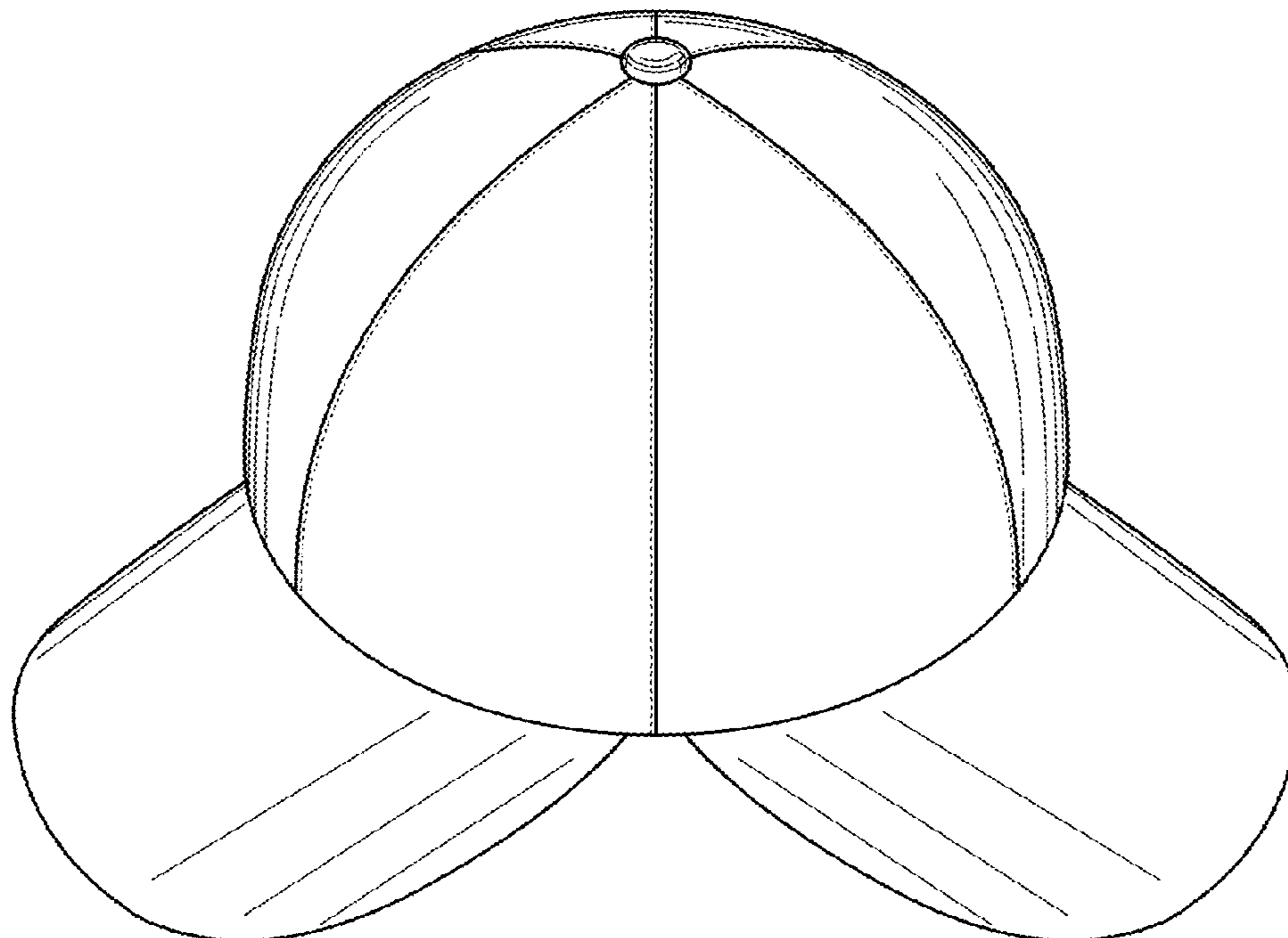
DESCRIPTION

FIG. 1 is a perspective view of a double billed cap,
FIG. 2 is a top plan view thereof,
FIG. 3 is a front elevation view thereof,
FIG. 4 is a back elevation view thereof,
FIG. 5 is a left side elevation view thereof; and,
FIG. 6 is a right side elevation view thereof.
The broken lines within the bounds of the claimed design represent stitching that does not form part of the claimed design.

(56) **References Cited**
U.S. PATENT DOCUMENTS

D363,596 S * 10/1995 Martinez D2/884
D578,739 S * 10/2008 Schussleder D2/882
D633,282 S * 3/2011 Chekrallah D2/882
D646,469 S * 10/2011 Kutzner D2/882
D657,535 S * 4/2012 Chekrallah D2/882
D661,061 S * 6/2012 Eveleth D2/882
D662,290 S * 6/2012 Morgan D2/882

1 Claim, 6 Drawing Sheets



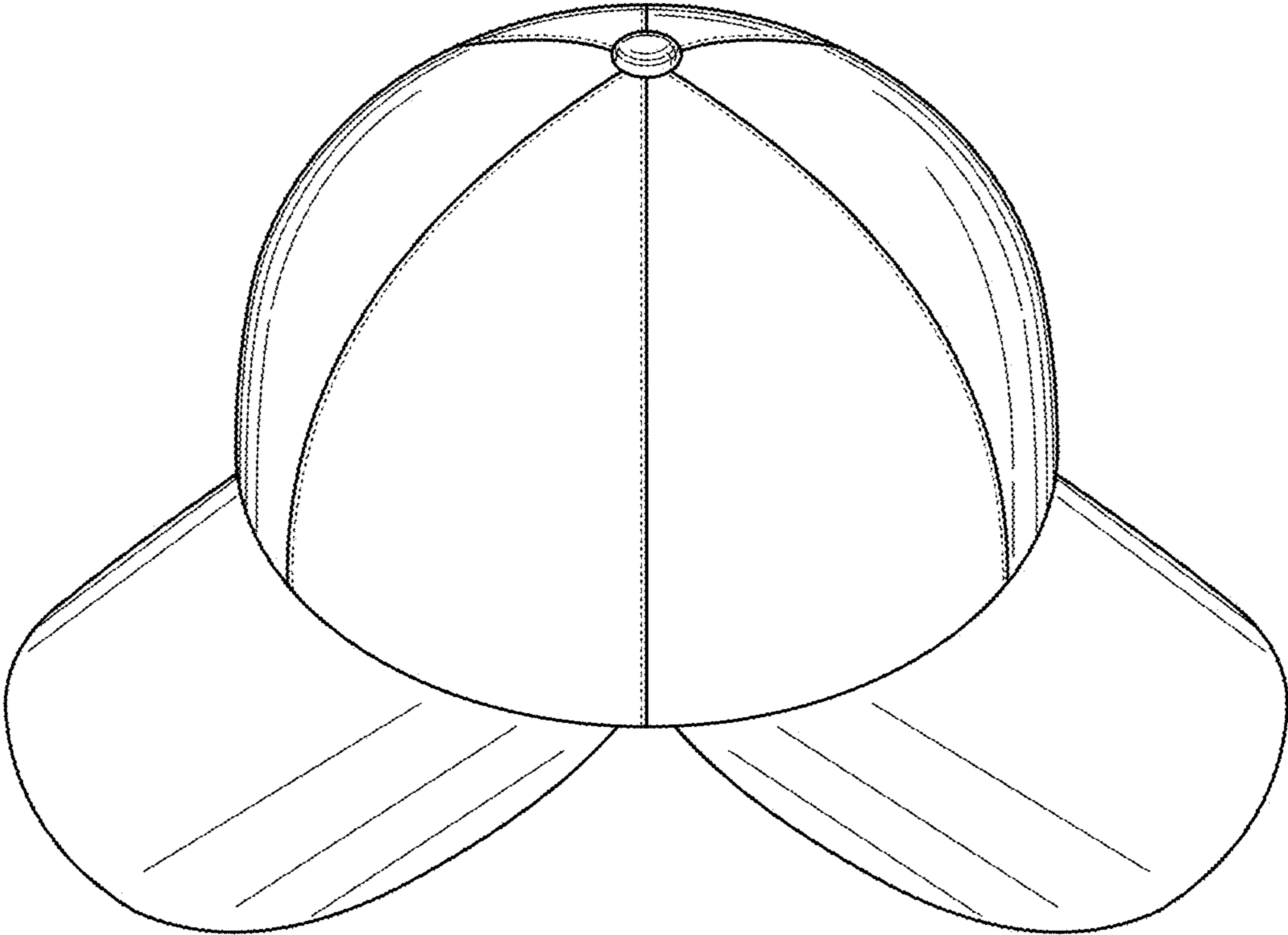


FIG. 1

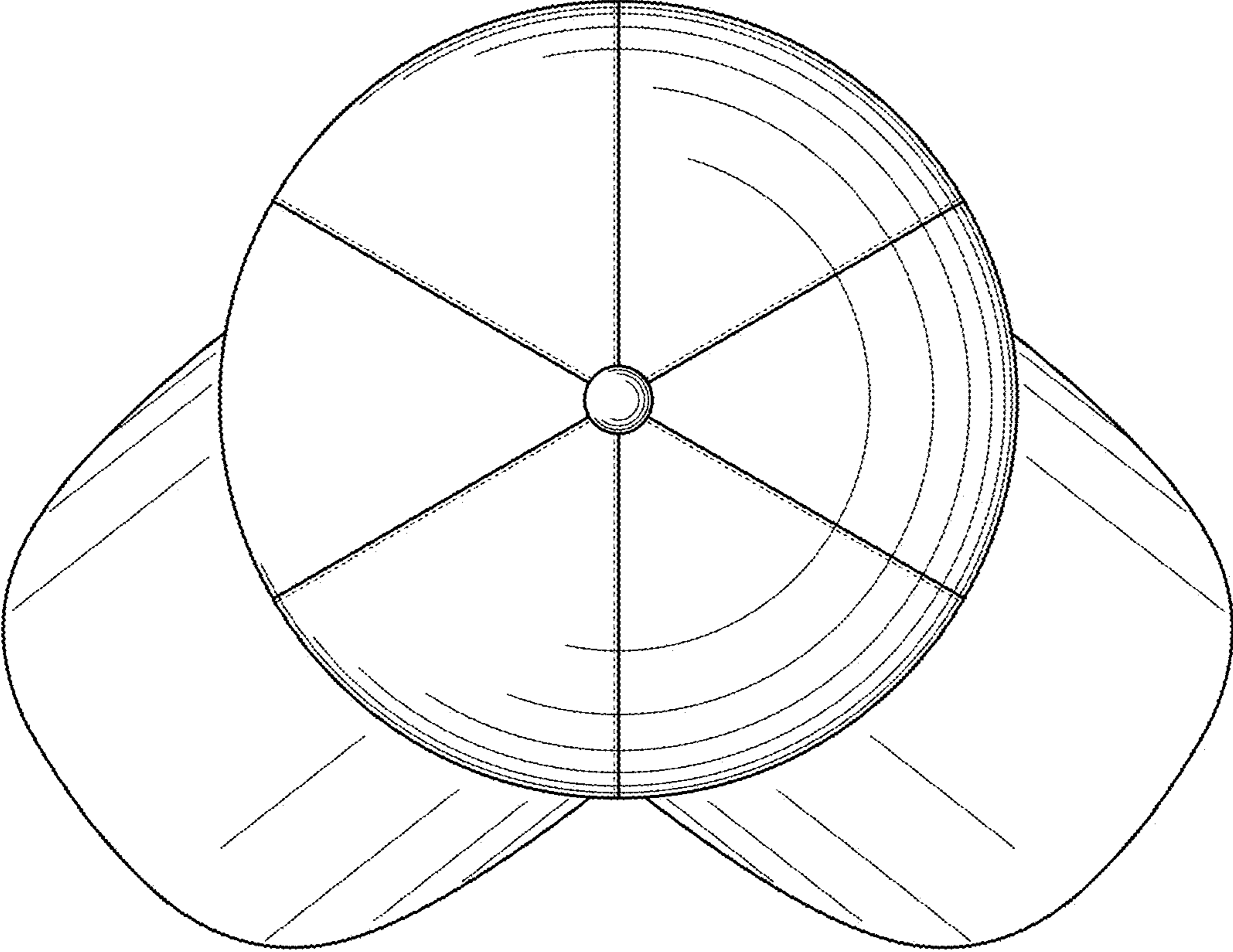


FIG. 2

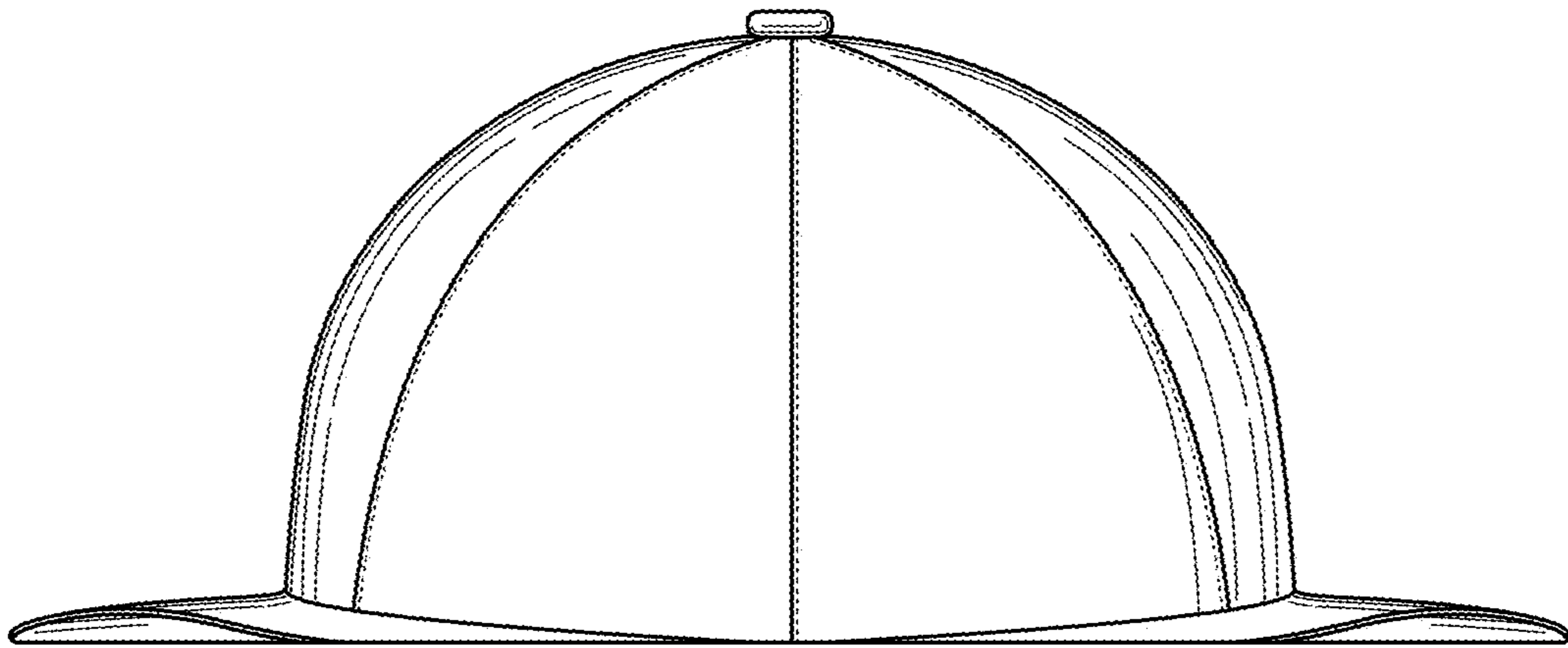


FIG. 3

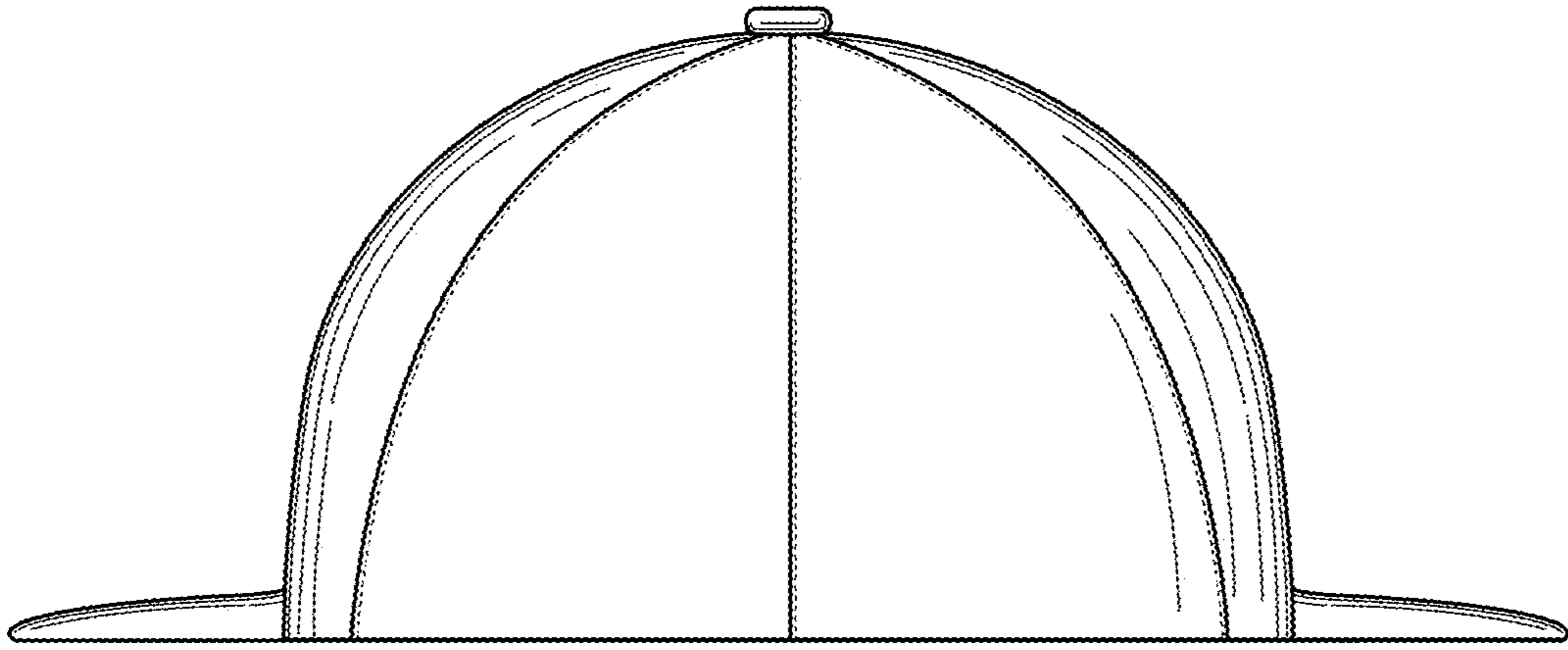


FIG. 4

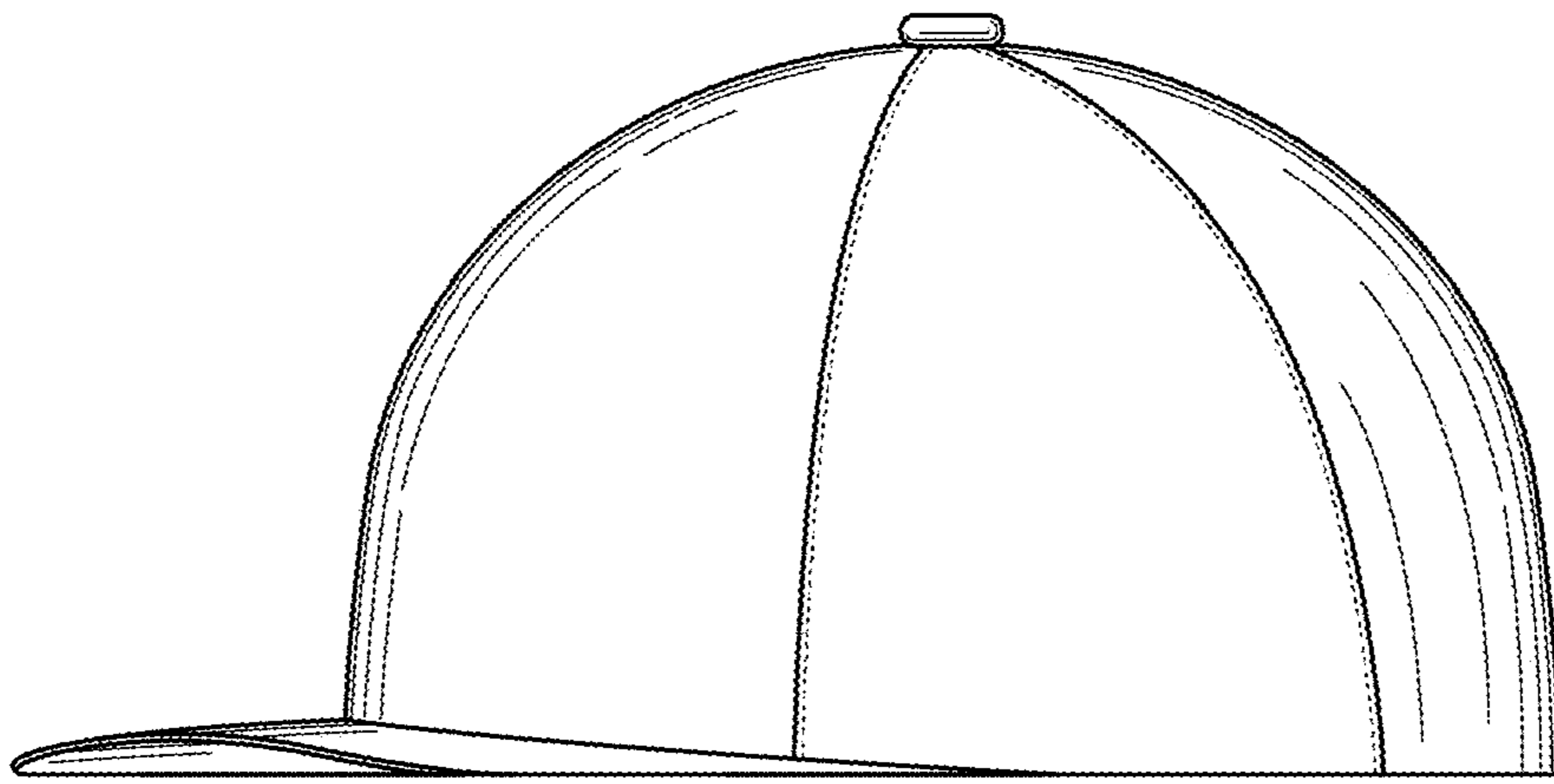


FIG. 5

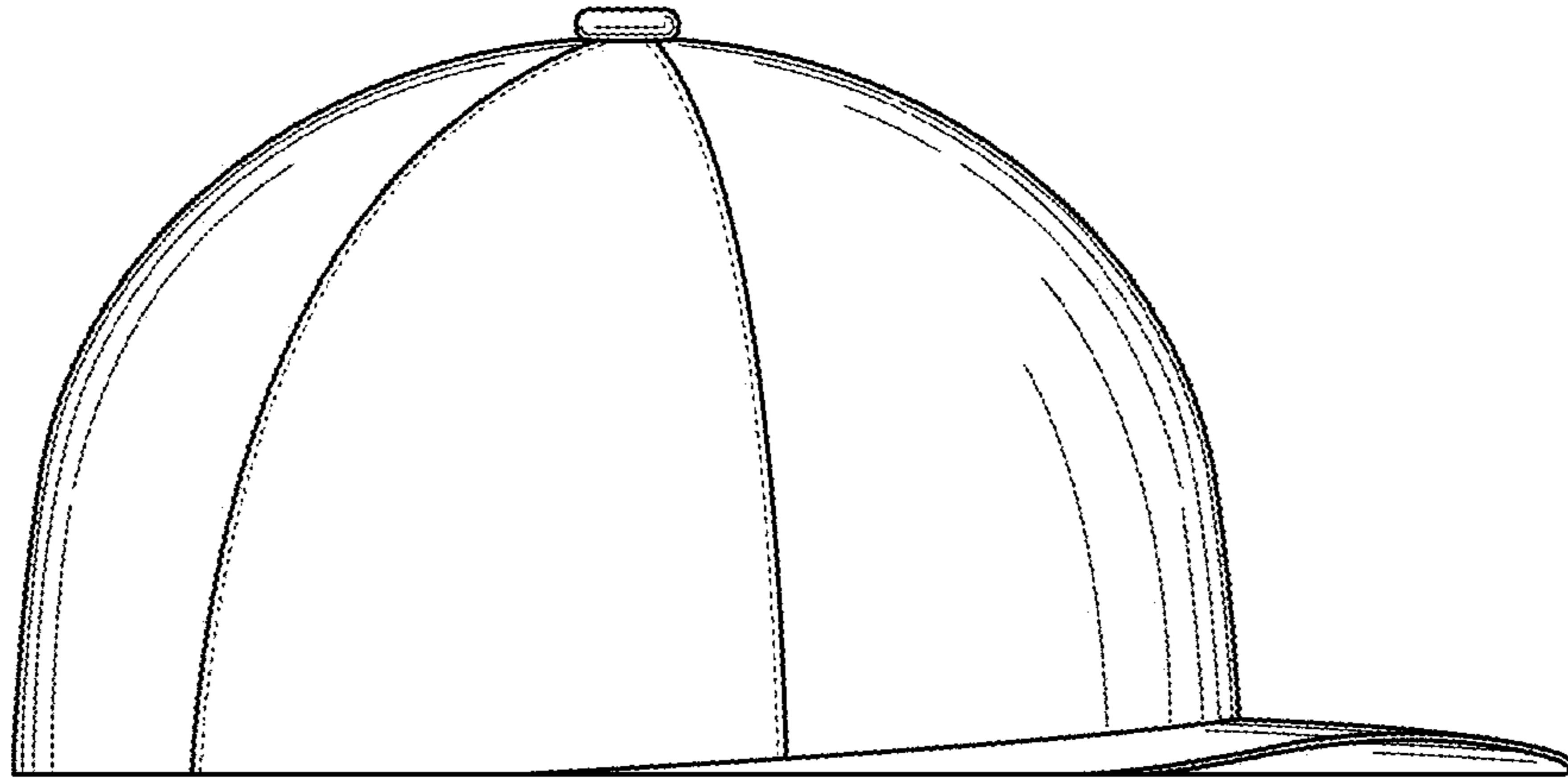


FIG. 6