



US00D825148S

(12) **United States Design Patent** (10) **Patent No.:** **US D825,148 S**  
**Horning** (45) **Date of Patent:** **\*\* Aug. 14, 2018**

(54) **CLOTHING ACCESSORY TO PREVENT SLIPPAGE**

(71) Applicant: **Troy Horning**, Dallas, TX (US)

(72) Inventor: **Troy Horning**, Dallas, TX (US)

(\*\*) Term: **15 Years**

(21) Appl. No.: **29/567,389**

(22) Filed: **Jun. 8, 2016**

(51) **LOC (11) Cl.** ..... **02-02**

(52) **U.S. Cl.**  
USPC ..... **D2/853**

(58) **Field of Classification Search**  
USPC ..... D2/853, 859, 625, 627  
CPC ..... A41F 9/00  
See application file for complete search history.

(56) **References Cited**

**U.S. PATENT DOCUMENTS**

747,060	A *	12/1903	Forman	.....	A41F 9/02 2/237
1,285,325	A *	11/1918	Nelson	.....	A41F 11/16 2/308
3,280,406	A *	10/1966	Immel	.....	A42C 5/02 2/181
5,218,663	A *	6/1993	Isono	.....	G02B 6/122 385/129
D340,345	S *	10/1993	Russell	.....	D2/894
5,963,988	A *	10/1999	Jackson, Jr.	.....	A41F 9/025 139/422
6,286,341	B2 *	9/2001	Jackson, Jr.	.....	D04B 21/18 2/221
D493,026	S *	7/2004	Park	.....	D2/894
7,295,742	B2 *	11/2007	Sugita	.....	G02B 6/13 385/129
D578,742	S *	10/2008	Cho	.....	D2/894
D580,377	S *	11/2008	Uemoto	.....	D13/180
D580,889	S *	11/2008	Uemoto	.....	D13/180

D580,890	S *	11/2008	Uemoto	.....	D13/180
D586,764	S *	2/2009	Uemoto	.....	D13/180
D592,836	S *	5/2009	Cho	.....	D2/894
D598,641	S *	8/2009	Cho	.....	D2/894
D599,980	S *	9/2009	Cho	.....	D2/894
D683,521	S *	6/2013	Garcia	.....	D2/742
D770,133	S *	11/2016	Burke	.....	D2/731
D778,538	S *	2/2017	Jackson	.....	D2/742
9,578,912	B2 *	2/2017	Cho	.....	A42B 1/00
2007/0045637	A1 *	3/2007	Behfar	.....	G11B 7/127 257/79

\* cited by examiner

*Primary Examiner* — Kevin K Rudzinski

(74) *Attorney, Agent, or Firm* — Norton Rose Fulbright US LLP

(57) **CLAIM**

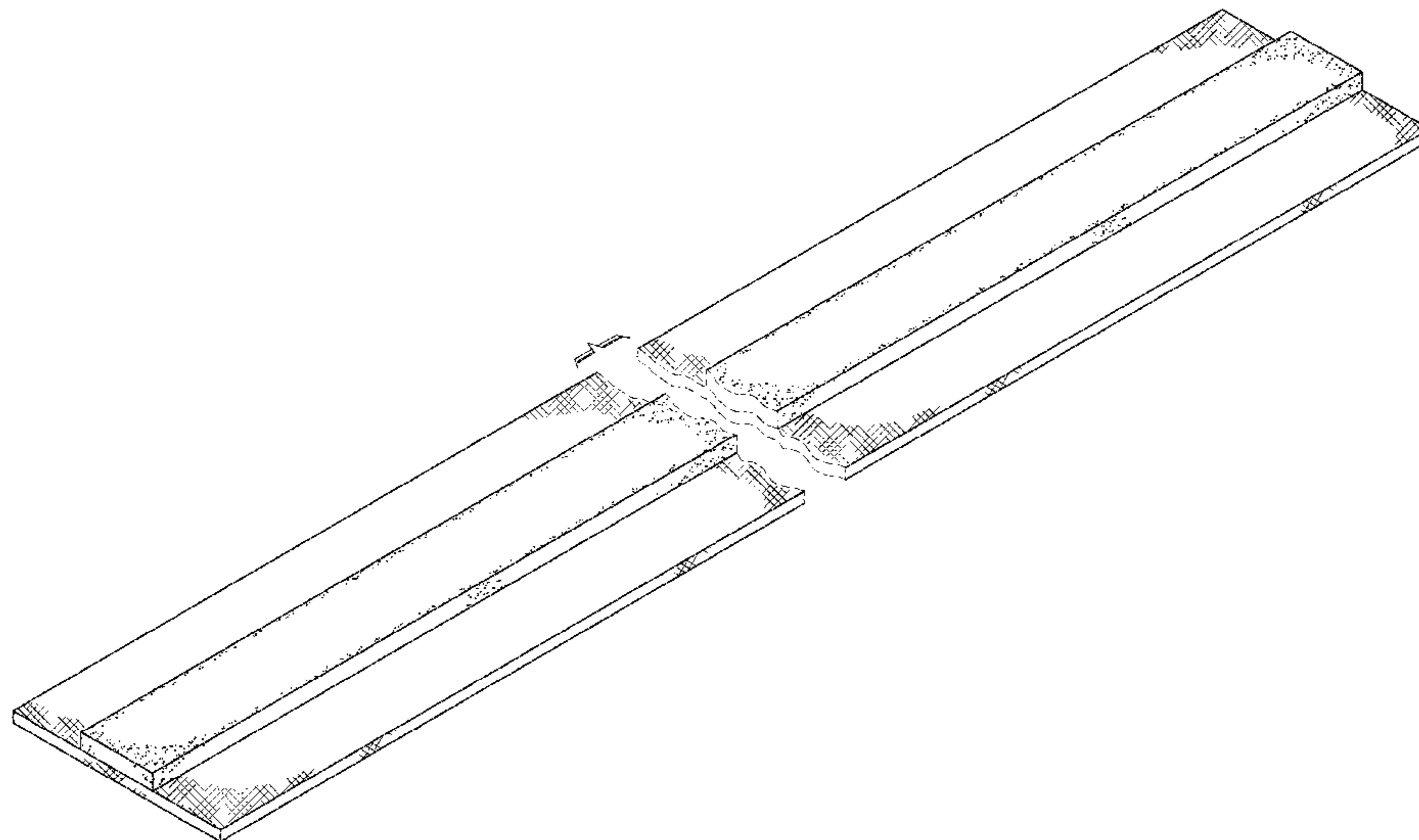
The ornamental design for a clothing accessory to prevent slippage, as shown and described.

**DESCRIPTION**

FIG. 1 is a front perspective view of a clothing accessory to prevent slippage showing my new design; FIG. 2 is a front elevation view thereof; FIG. 3 is a rear elevation view thereof; FIG. 4 is a right side elevation view thereof; FIG. 5 is a left side elevation view thereof; FIG. 6 is a top plan view thereof; FIG. 7 is a bottom plan view thereof; and, FIG. 8 is an environmental perspective view thereof, shown on an article of clothing.

The claimed design is directed to a single article, specifically, an entire clothing accessory to prevent slippage. FIG. 1 and FIGS. 4 to 7 show a break in the design to enable the depiction of the clothing accessory to fit on a single sheet. The broken lines shown in the figures represent unclaimed subject matter and form no part of the claimed design.

**1 Claim, 4 Drawing Sheets**



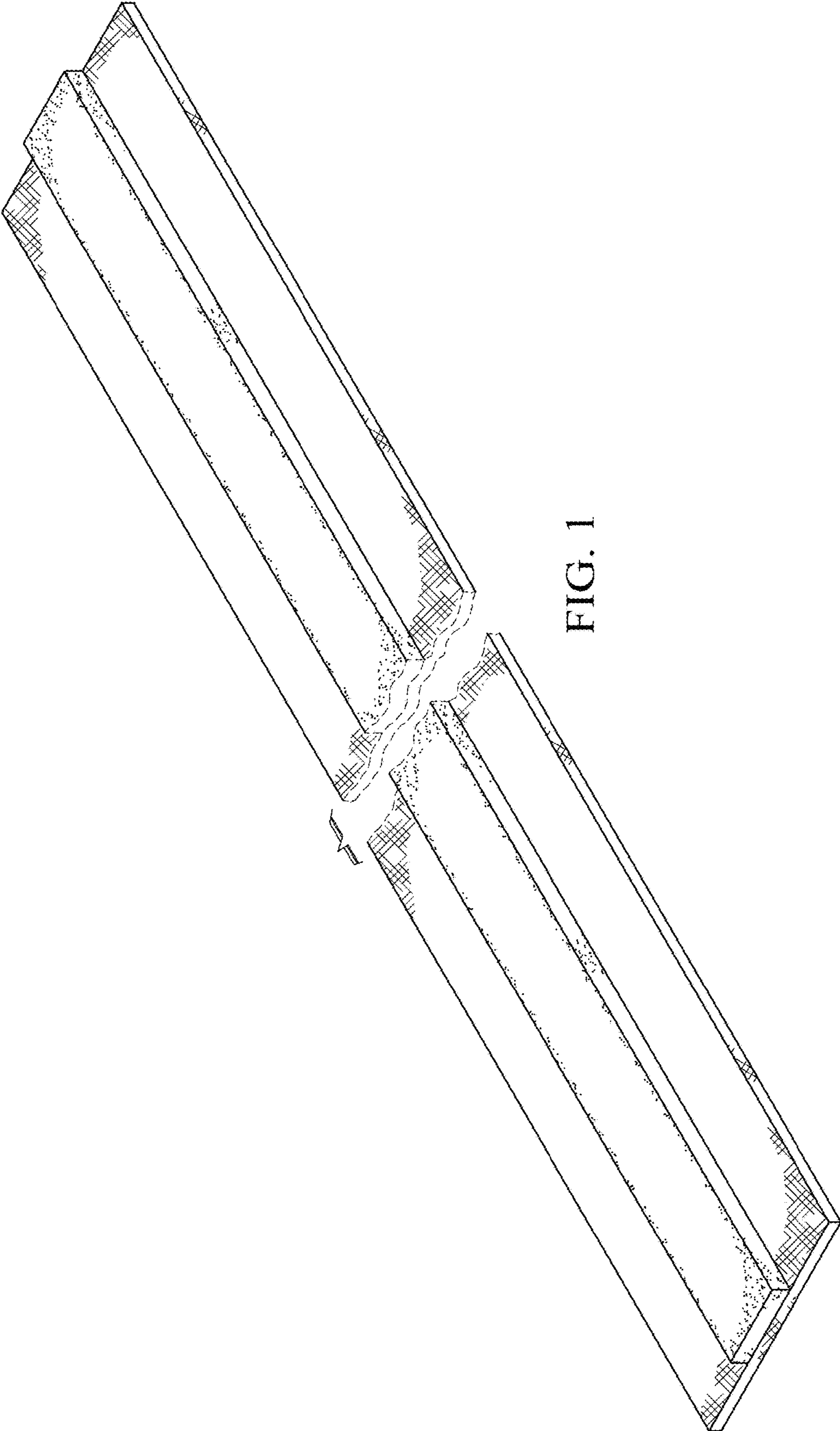


FIG. 1



FIG. 2



FIG. 3



FIG. 4

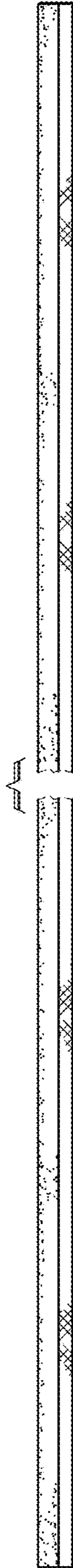


FIG. 5

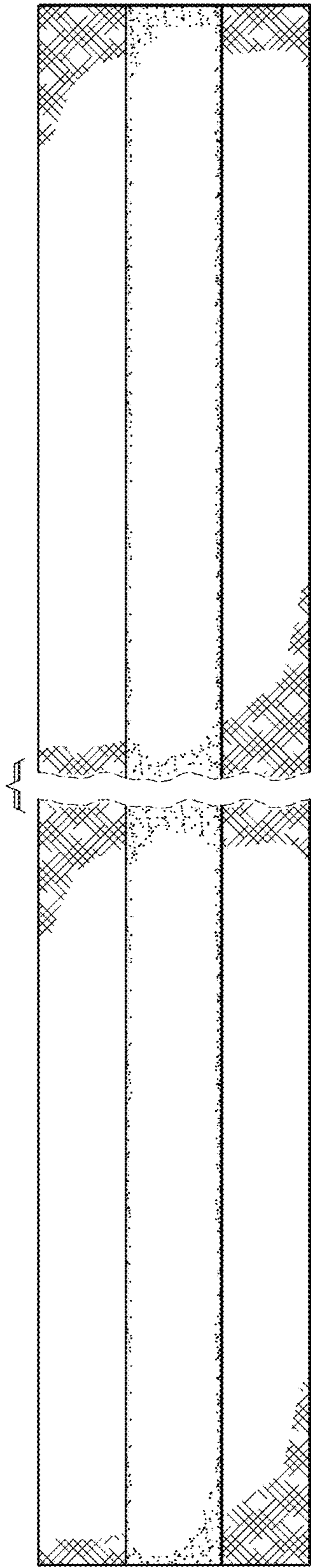


FIG. 6

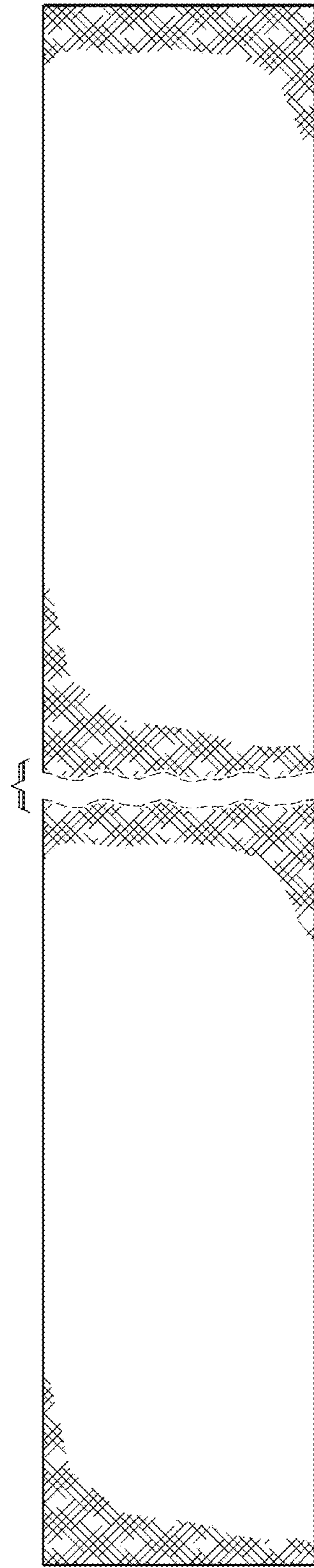


FIG. 7

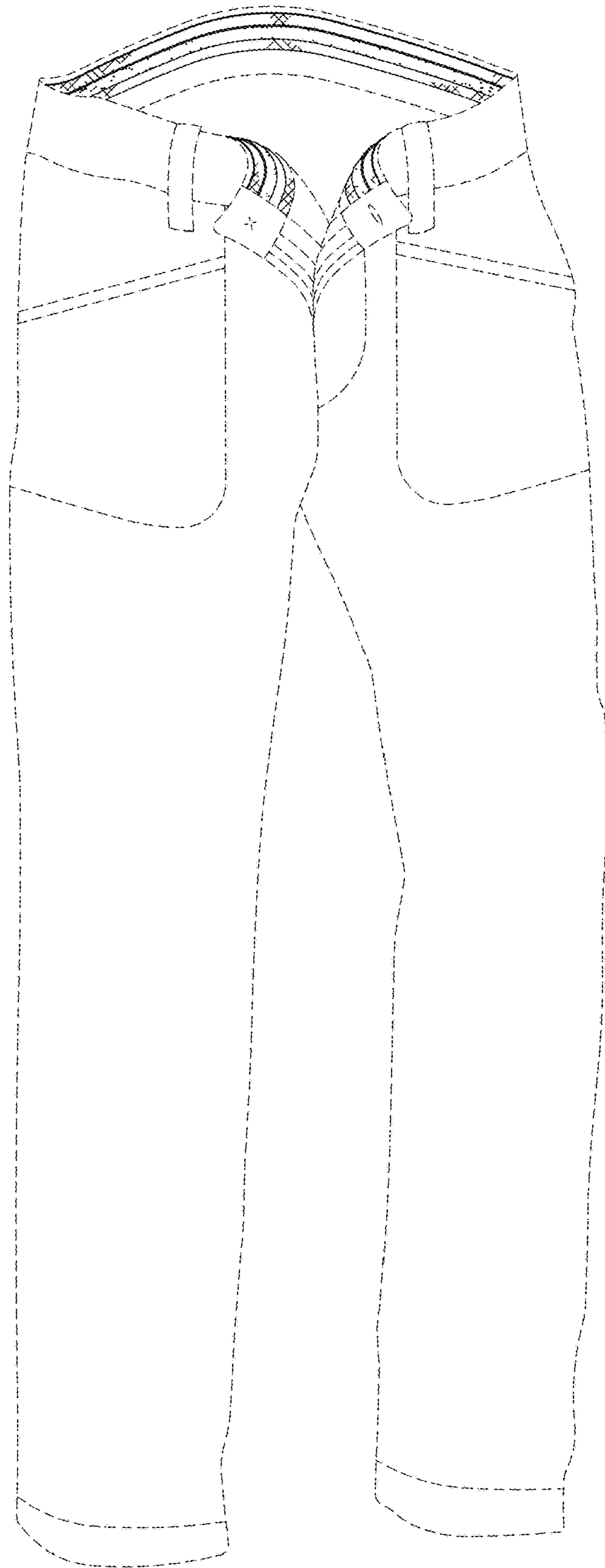


FIG. 8