



US00D825145S

(12) **United States Design Patent** (10) **Patent No.:** **US D825,145 S**  
**Fowler et al.** (45) **Date of Patent:** **\*\* Aug. 14, 2018**

(54) <b>WADER</b>	D461,624 S * 8/2002 Foster ..... D2/743
	6,668,383 B2 * 12/2003 Rausch ..... A41D 13/012
(71) Applicant: <b>Guntersville Breathables, Inc.</b> , Arab, AL (US)	6,772,440 B1 * 8/2004 Foster ..... A41D 13/012
	2/69
(72) Inventors: <b>William M. Fowler</b> , Arab, AL (US); <b>Adam Parker</b> , Granger, IN (US)	D593,281 S * 6/2009 Pitchforth ..... D2/743
	D598,181 S * 8/2009 Rowe ..... D2/743
	7,721,352 B1 * 5/2010 Swift ..... A41D 13/0125
	2/82
(73) Assignee: <b>GUNTERSVILLE BREATHABLES, INC.</b> , Arab, AL (US)	8,819,864 B2 * 9/2014 Hare ..... A41D 13/02
	2/338
(**) Term: <b>15 Years</b>	D735,445 S * 8/2015 Hare ..... D2/743
	2010/0306897 A1 * 12/2010 Wood ..... A41D 13/02
	2/79

(21) Appl. No.: **29/590,733**

\* cited by examiner

(22) Filed: **Jan. 12, 2017**

*Primary Examiner* — Kevin K Rudzinski

(51) **LOC (11) Cl.** ..... **02-02**

(74) *Attorney, Agent, or Firm* — Maynard Cooper & Gale, P.C.; Jon Holland

(52) **U.S. Cl.**  
USPC ..... **D2/743**

(58) **Field of Classification Search**  
USPC ..... D2/743  
CPC ..... A41D 13/01; A41D 13/02  
See application file for complete search history.

(57) **CLAIM**

I claim the ornamental design for a wader, as shown and described herein.

(56) **References Cited**

**DESCRIPTION**

U.S. PATENT DOCUMENTS

D285,140 S *	8/1986	Ellenberger	.....	D2/743
4,858,342 A *	8/1989	Nicholson	.....	A41D 13/0005
				12/142 R
5,081,718 A *	1/1992	Carman	.....	A41D 1/06
				2/227
5,901,374 A *	5/1999	Foster	.....	A41D 13/02
				2/227
6,167,571 B1 *	1/2001	Cheng	.....	A41D 13/012
				2/227
6,280,807 B1 *	8/2001	Shih	.....	A41D 13/0005
				156/304.5
6,317,893 B1 *	11/2001	Walton	.....	A41D 13/012
				2/227

FIG. 1 is an exploded front view of a wader showing an outer garment and a liner.  
 FIG. 2 is a front view of the wader of FIG. 1 with the lining inserted.  
 FIG. 3 is a back view of the wader of FIG. 2.  
 FIG. 4 is a right side view of the wader of FIG. 2.  
 FIG. 5 is a left side view of the wader of FIG. 2.  
 FIG. 6 is a top view of the wader of FIG. 2.  
 FIG. 7 is a front view of the liner of FIG. 1.  
 FIG. 8 is a back view of the liner of FIG. 1; and,  
 FIG. 9 is a left side view of the liner of FIG. 1.

**1 Claim, 7 Drawing Sheets**

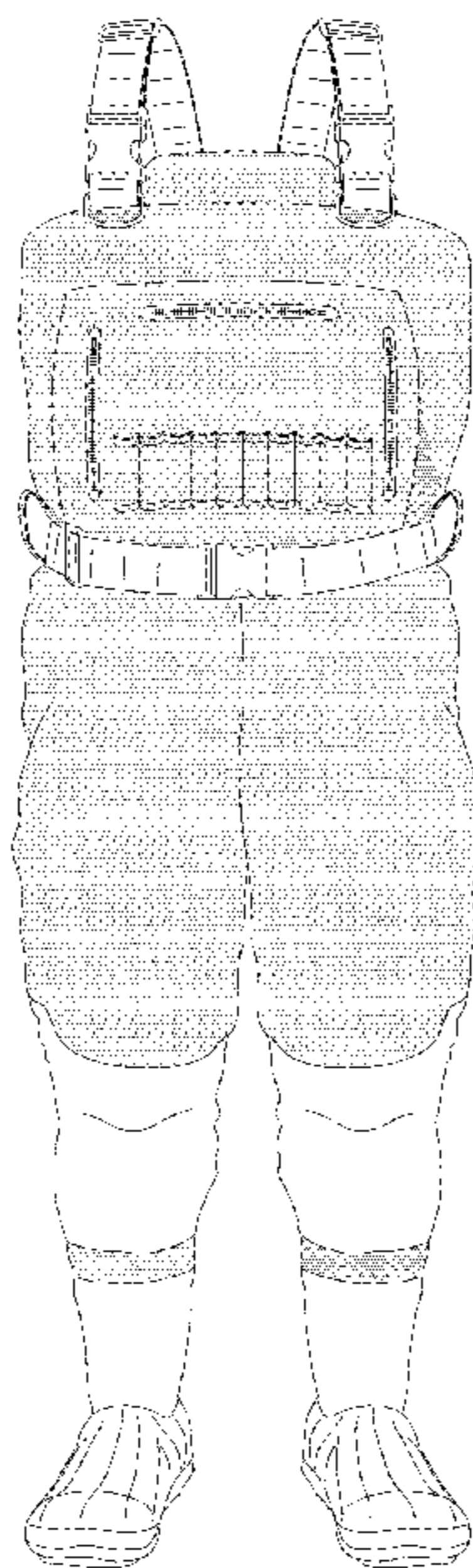
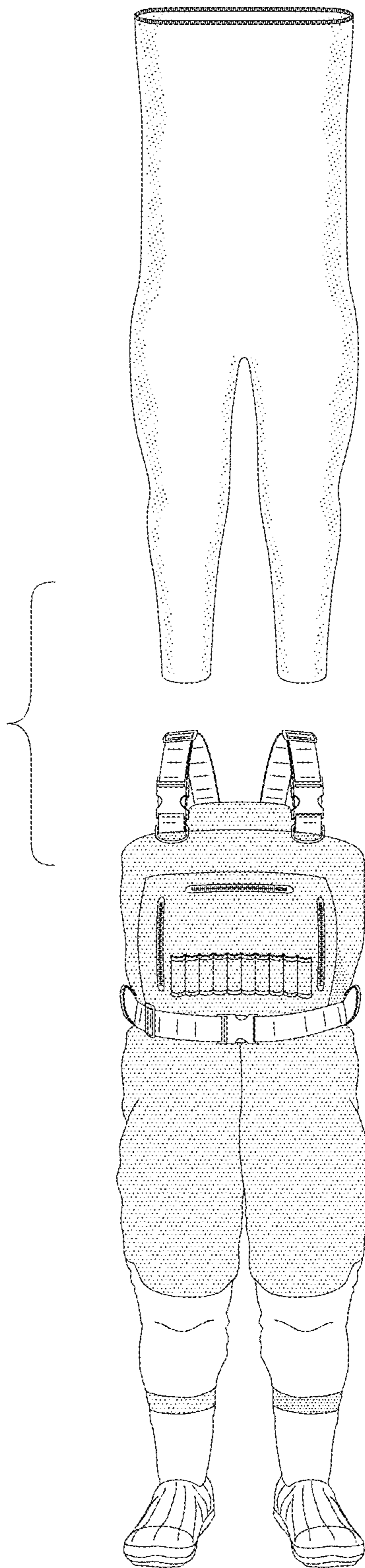


FIG. 1



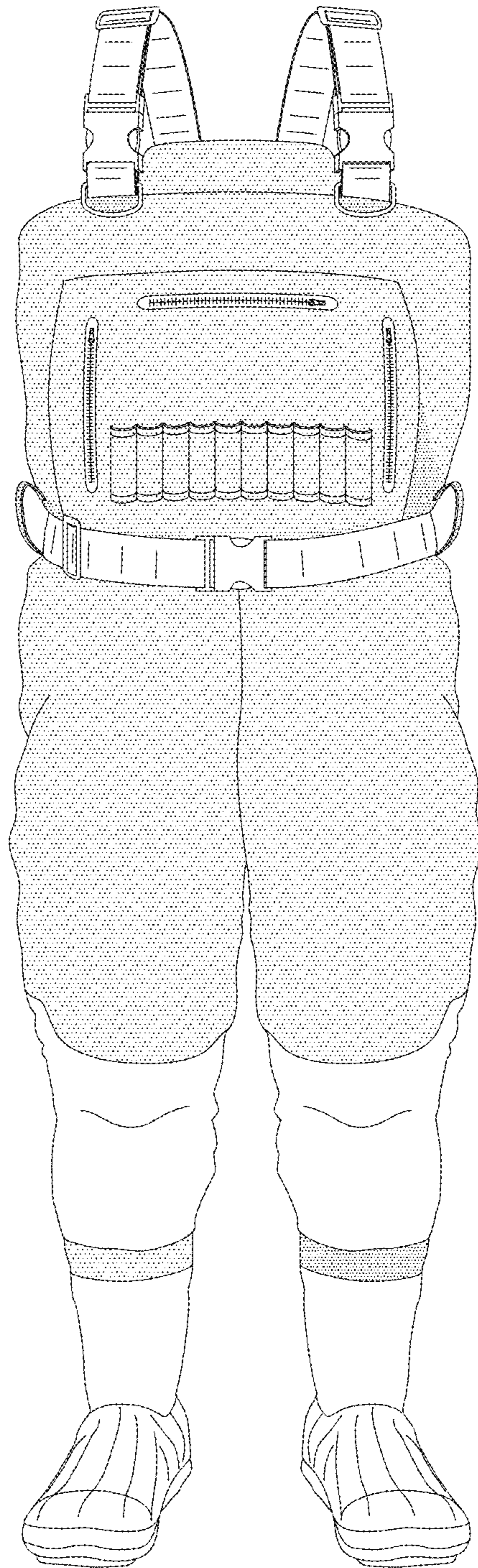


FIG. 2

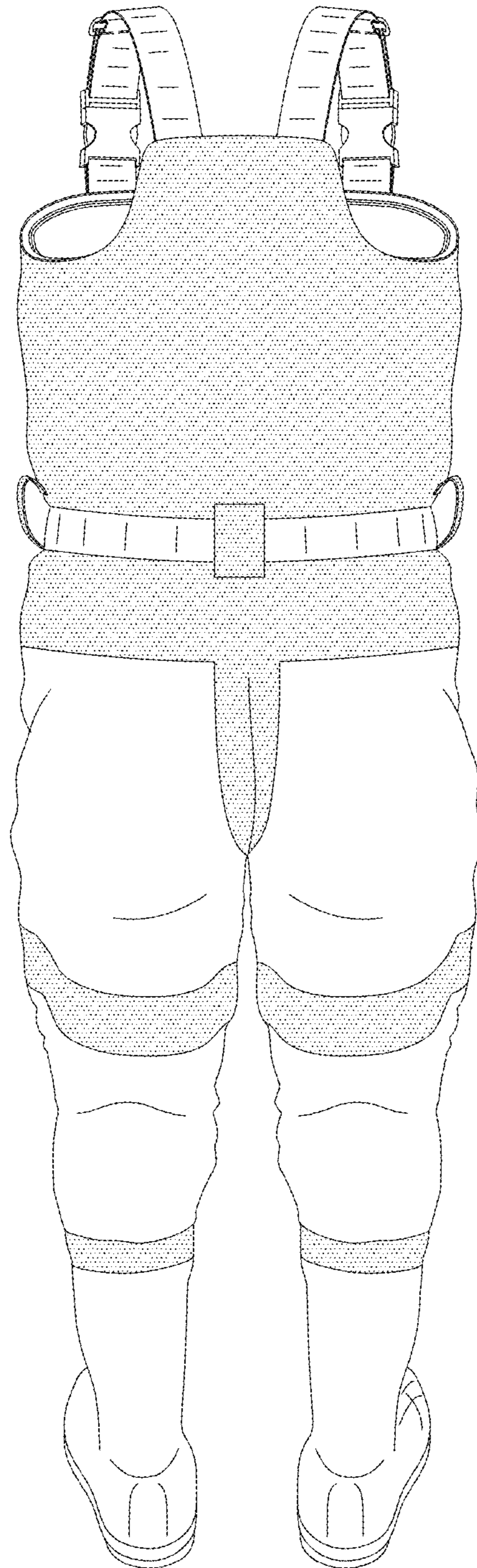


FIG. 3

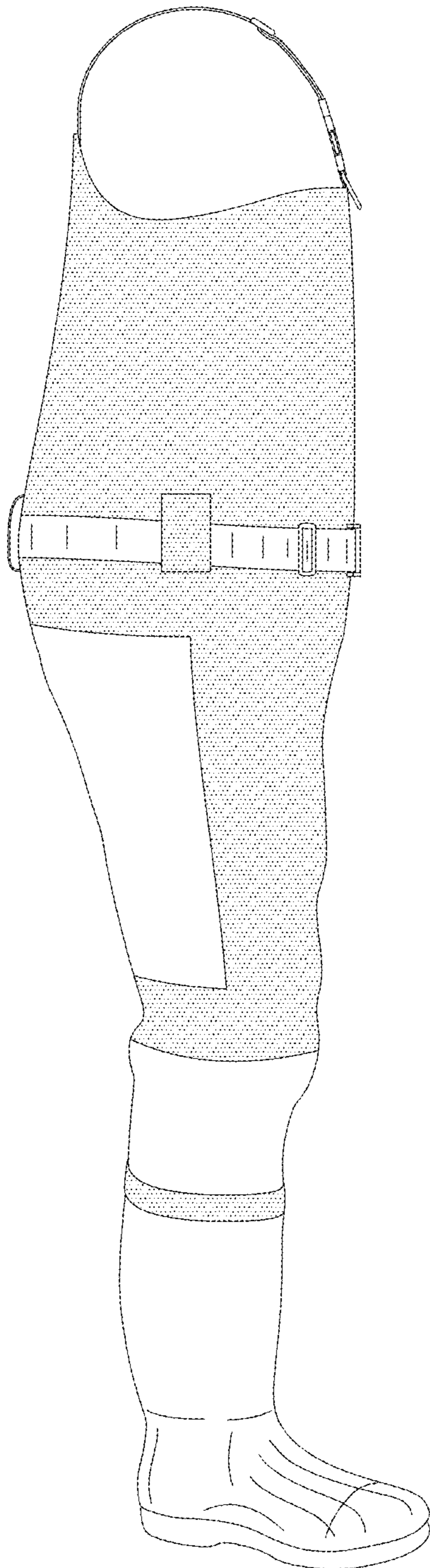


FIG. 4

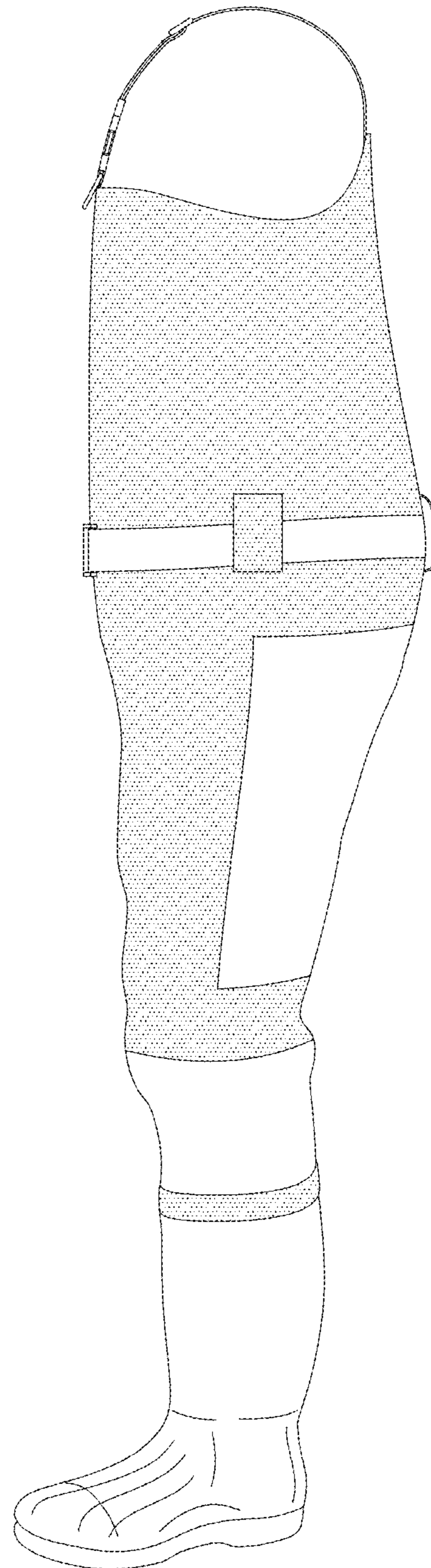


FIG. 5

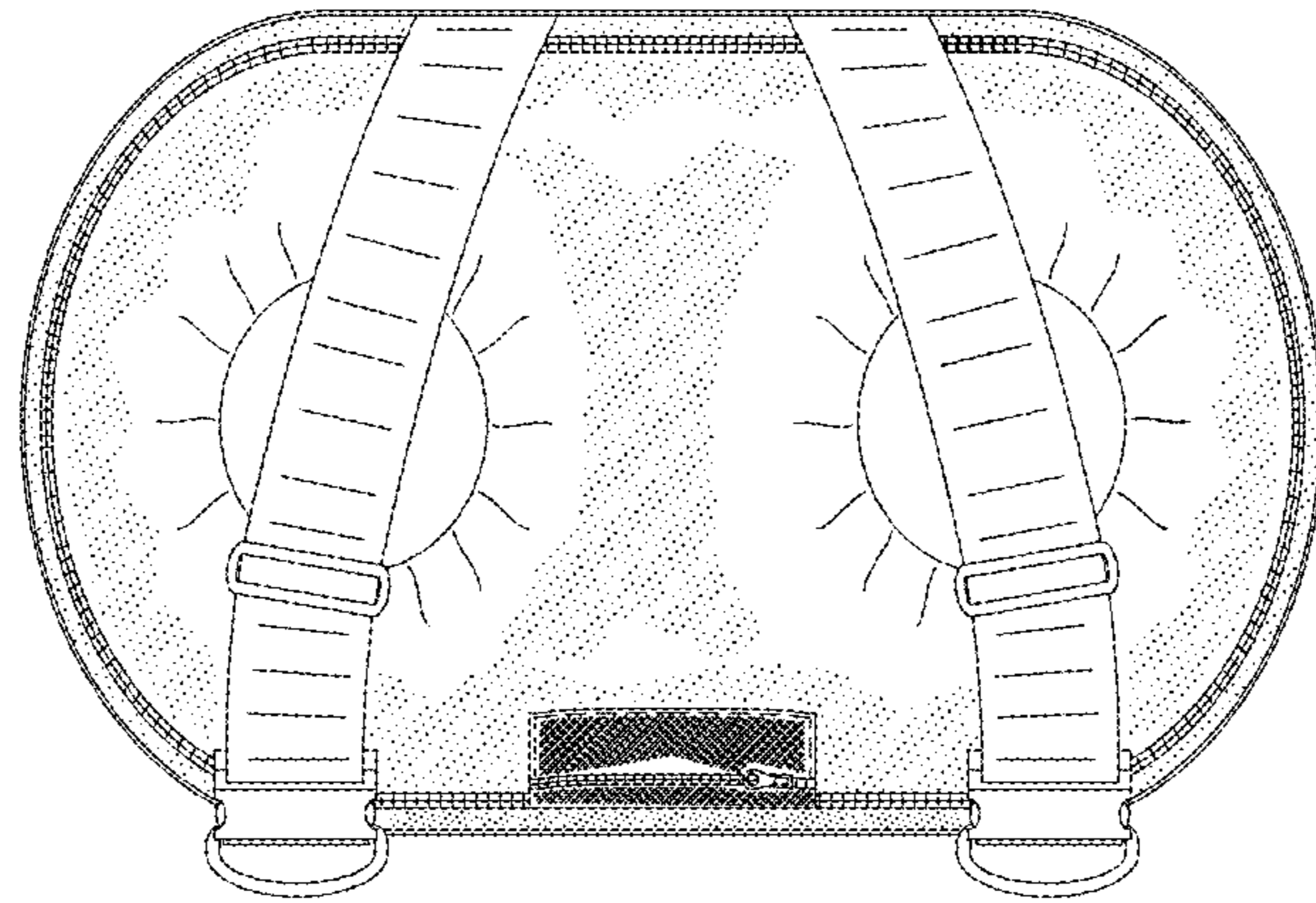


FIG. 6

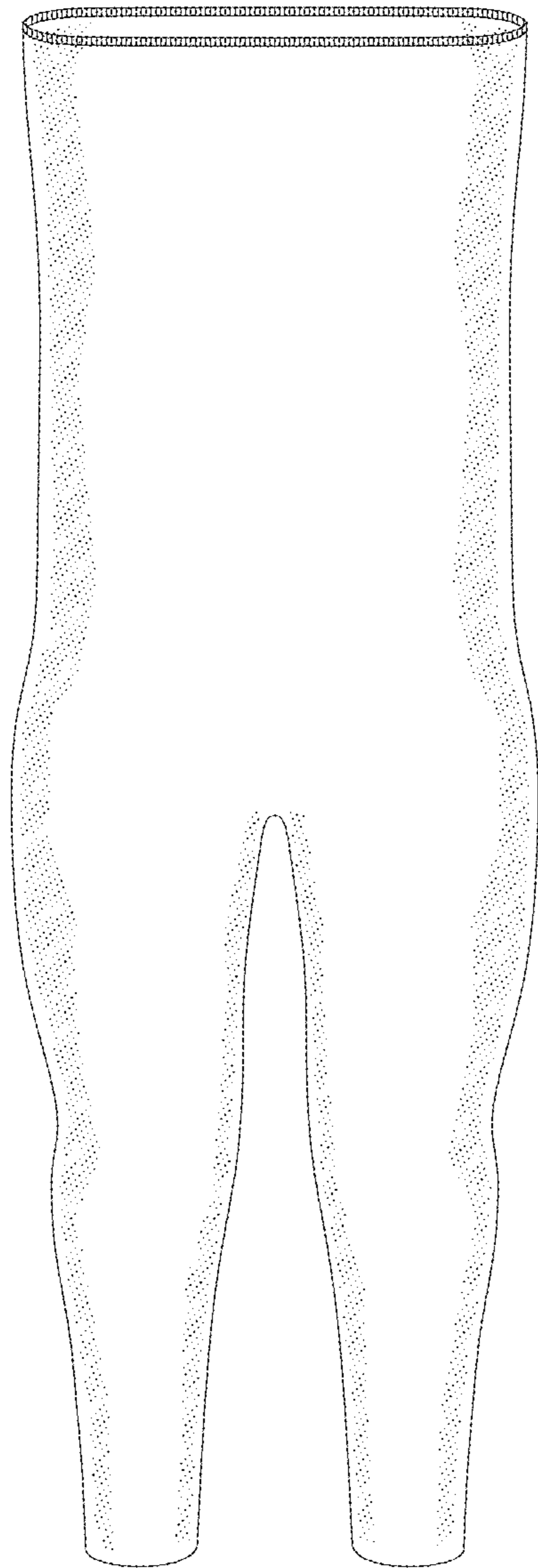


FIG. 7

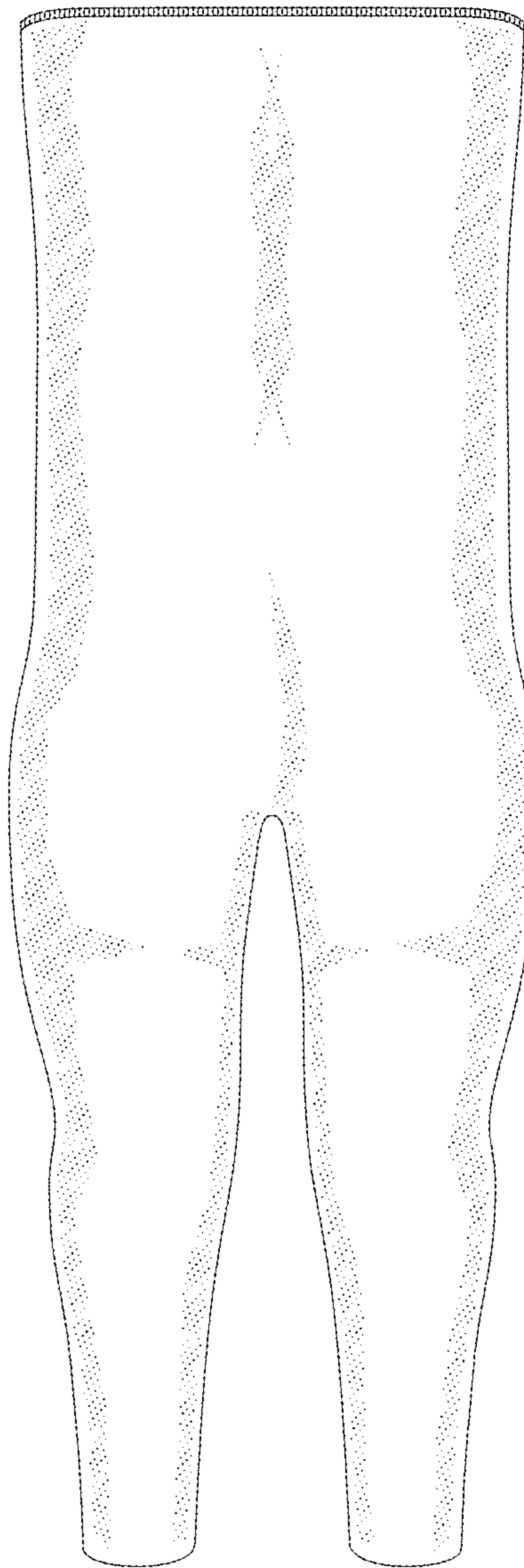


FIG. 8

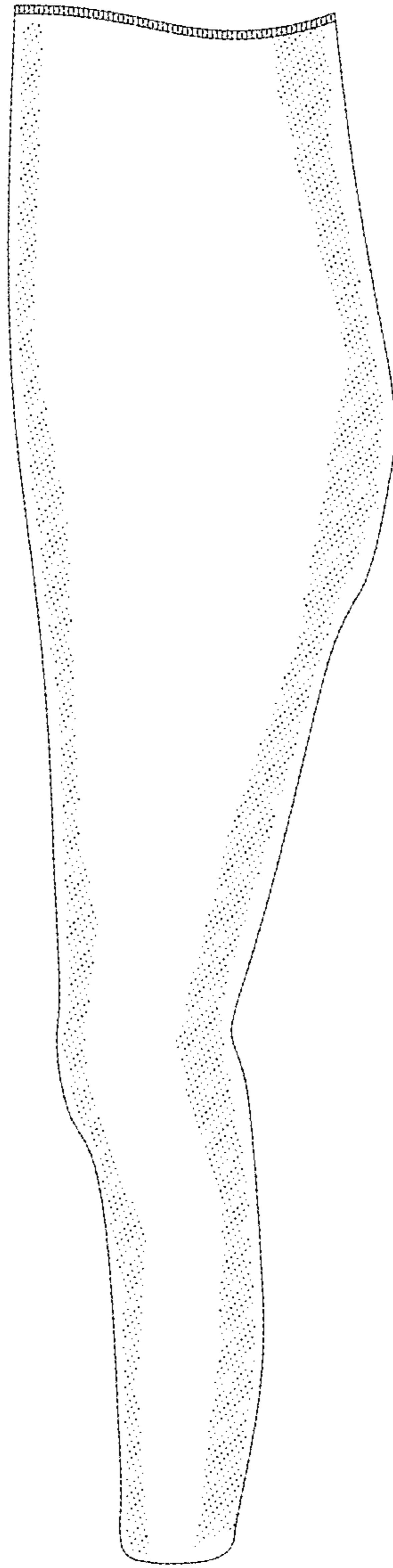


FIG. 9