



US00D825139S

(12) **United States Design Patent**
Ingram

(10) **Patent No.:** **US D825,139 S**

(45) **Date of Patent:** **** Aug. 14, 2018**

(54) **GARMENT**

(71) Applicant: **NIKE, Inc.**, Beaverton, OR (US)

(72) Inventor: **Jeffrey K. Ingram**, Portland, OR (US)

(73) Assignee: **NIKE, Inc.**, Beaverton, OR (US)

(**) Term: **15 Years**

(21) Appl. No.: **29/571,676**

(22) Filed: **Jul. 20, 2016**

(51) **LOC (11) Cl.** **02-02**

(52) **U.S. Cl.**
USPC **D2/728; D2/731**

(58) **Field of Classification Search**
USPC D2/728, 750, 759-760, 769, 782, 731;
D5/1, 34
CPC ... A41D 1/00; A41D 1/02; A41D 1/04; A41D
3/00; A41D 27/201; A41D 2300/322;
A41D 2300/30
See application file for complete search history.

(56) **References Cited**

U.S. PATENT DOCUMENTS

D99,619 S * 5/1936 Daniels D5/1
D259,746 S * 7/1981 Dahlgard D2/750
(Continued)

OTHER PUBLICATIONS

Ex Parte Quayle Office Action dated Nov. 16, 2017 in Design U.S.
Appl. No. 29/571,677, 9 pages.

Primary Examiner — Robin V Webster

Assistant Examiner — James C Thorn, Sr.

(74) *Attorney, Agent, or Firm* — Shook, Hardy and Bacon
L.L.P.

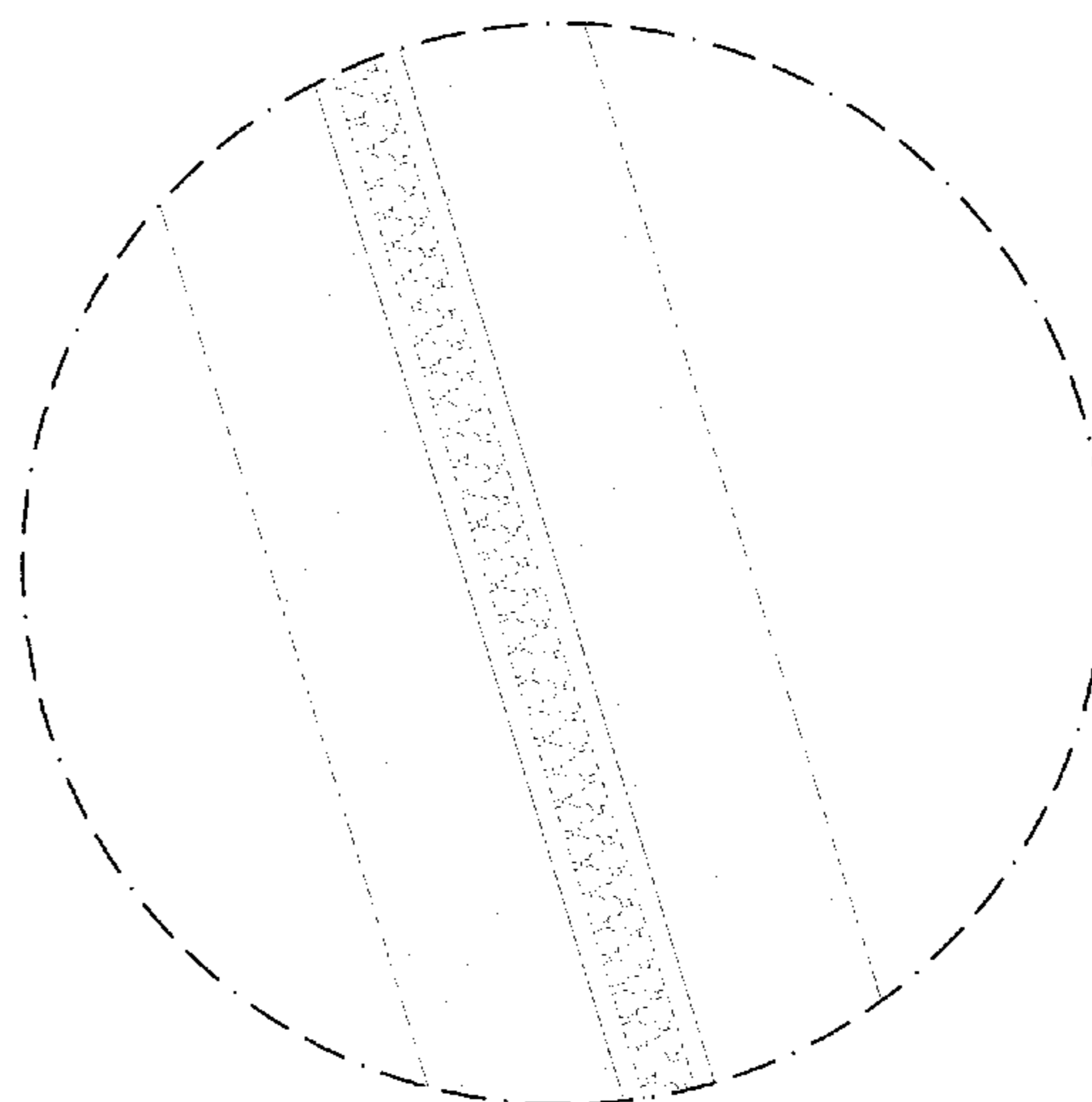
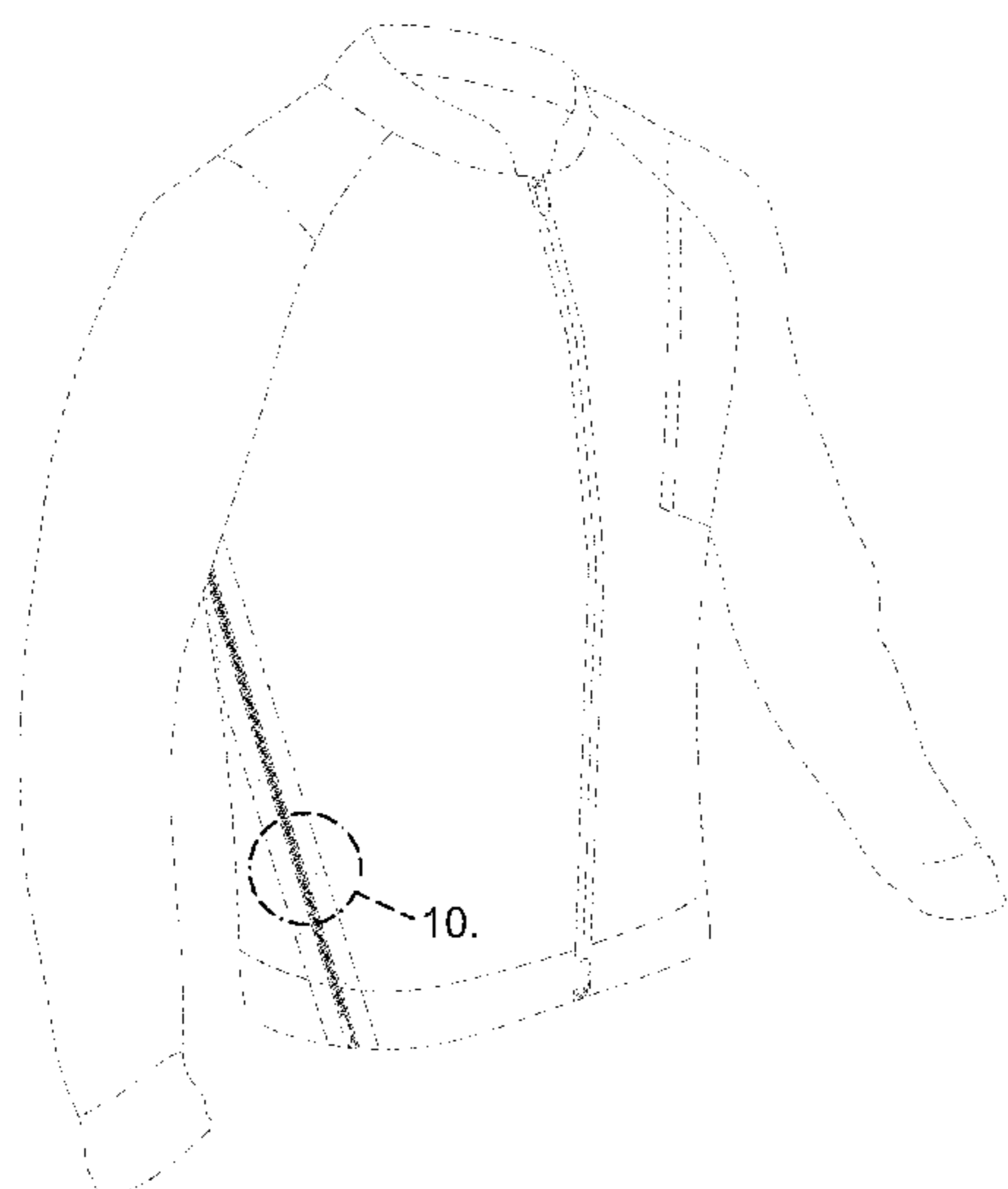
(57) **CLAIM**

The ornamental design for a garment, as shown and described.

DESCRIPTION

FIG. 1 is a front, left perspective view of a garment showing the present design, shown in a first in-use configuration; FIG. 2 is a front view thereof; FIG. 3 is a first side view of the garment of FIG. 1 with a first sleeve of the garment in a raised position; FIG. 4 is a second side view of the garment of FIG. 1 with a second sleeve of the garment in a raised position; FIG. 5 is a first side view of the garment of FIG. 1 in a second in-use configuration; FIG. 6 is a first side view of the garment of FIG. 1 in a third in-use configuration; FIG. 7 is a first side view of the garment of FIG. 1 in a fourth in-use configuration; FIG. 8 is a back view thereof; FIG. 9 is a magnified view of the area indicated on FIG. 8; and, FIG. 10 is a magnified view of the area indicated in FIG. 1. The broken lines with alternating long and short broken lines, immediately adjacent to the shaded area, represent unclaimed boundaries of the design. The unshaded regions represent unclaimed portions of the garment and form no part of the claimed design. The broken lines, which include even-length segments, that show the remainder of the garment or that are within the shaded area, are for environmental purposes only and form no part of the claimed design. The broken lines comprising an alternating pattern of two dashes separated by a dot are used to indicate the boundaries of a magnified view as shown in FIG. 9, and FIG. 10 and form no part of the claimed design. The contrast shading on the claimed portion is provided only to indicate the character and/or any contour or curvature of the surfaces. It does not indicate color, texture, markings that actually exist thereon, indicia, graphic representations, surface treatment, or any other ornamentation applied to the article.

1 Claim, 9 Drawing Sheets



(56)

References Cited

U.S. PATENT DOCUMENTS

D294,305 S 2/1988 Meek
 D506,303 S * 6/2005 Rocha 2/69
 D527,868 S 9/2006 Wager
 D555,878 S 11/2007 Bay
 D588,783 S 3/2009 Olstorn
 D627,950 S * 11/2010 Carpentier D2/750
 D633,690 S 3/2011 Tronvold
 D648,924 S 11/2011 Propst
 D662,282 S 6/2012 Meunier-Bouchard
 D679,072 S 4/2013 Abbevik et al.
 D714,525 S 10/2014 Payne
 D744,199 S * 12/2015 Roscoe D2/750
 D745,250 S * 12/2015 McClain D2/731
 D745,769 S * 12/2015 Borovicka D2/750
 D749,821 S 2/2016 McClora
 D755,478 S 5/2016 Grosbl
 D757,397 S 5/2016 Huang

D758,697 S 6/2016 Clark
 D763,582 S * 8/2016 McClain D5/1
 D770,129 S * 11/2016 Lomax D2/731
 D772,534 S * 11/2016 Borovicka D2/731
 D784,657 S * 4/2017 Adrovic D2/731
 D784,658 S 4/2017 Adrovic
 D784,706 S * 4/2017 McClain D5/1
 D787,160 S * 5/2017 Crowe D2/750
 D799,161 S 10/2017 Crowe et al.
 D800,419 S 10/2017 Ingram
 D800,425 S 10/2017 Schneider
 2013/0219581 A1 8/2013 Schrimpf
 2015/0107062 A1 * 4/2015 Hayashi A44B 19/00
 24/403
 2016/0135527 A1 * 5/2016 Skurla, III A41D 27/18
 2/98
 2016/0295950 A1 10/2016 Schurr
 2016/0338415 A1 * 11/2016 Aihara A41B 1/08
 2017/0172237 A1 * 6/2017 Martin A41D 27/10

* cited by examiner

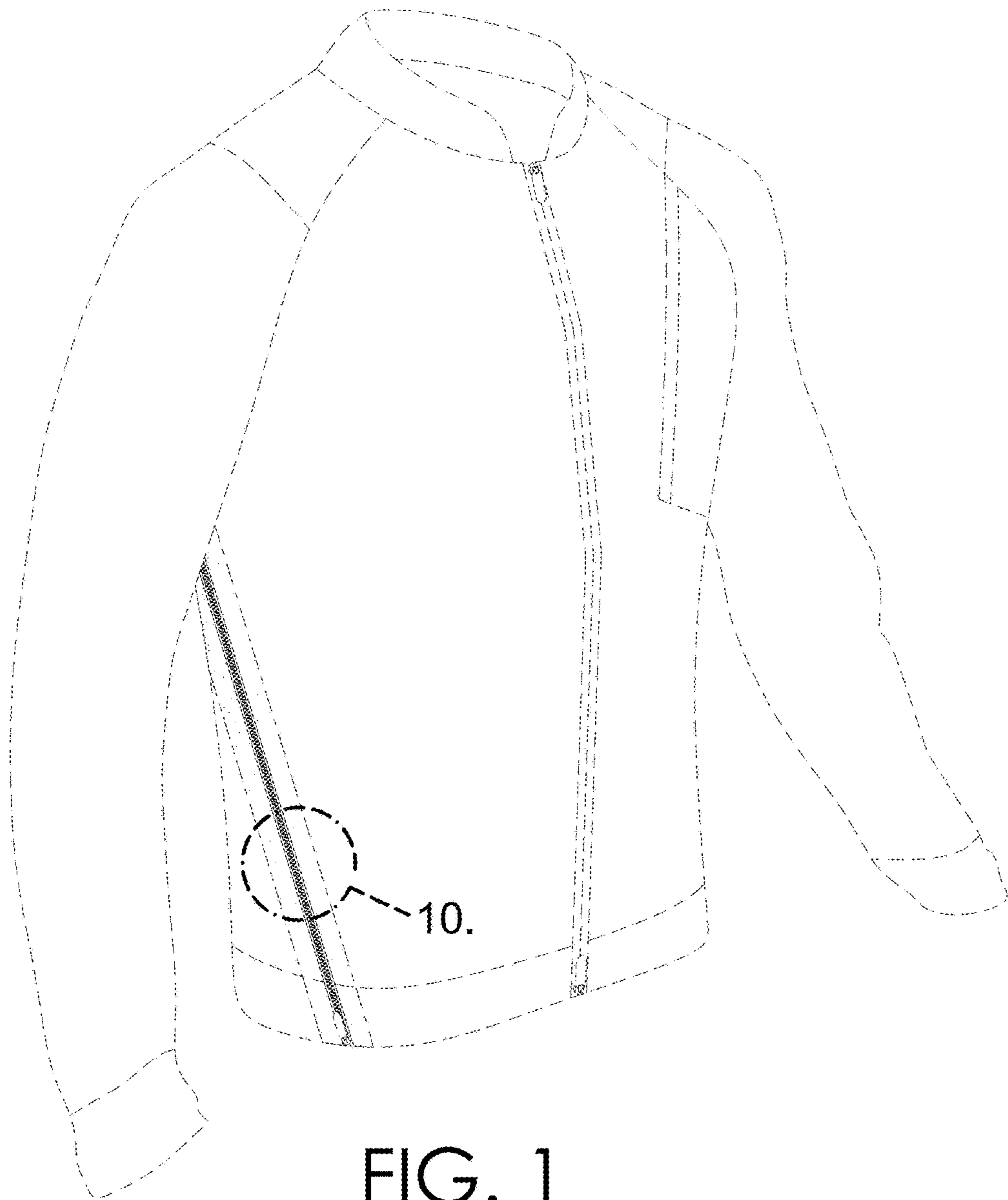


FIG. 1

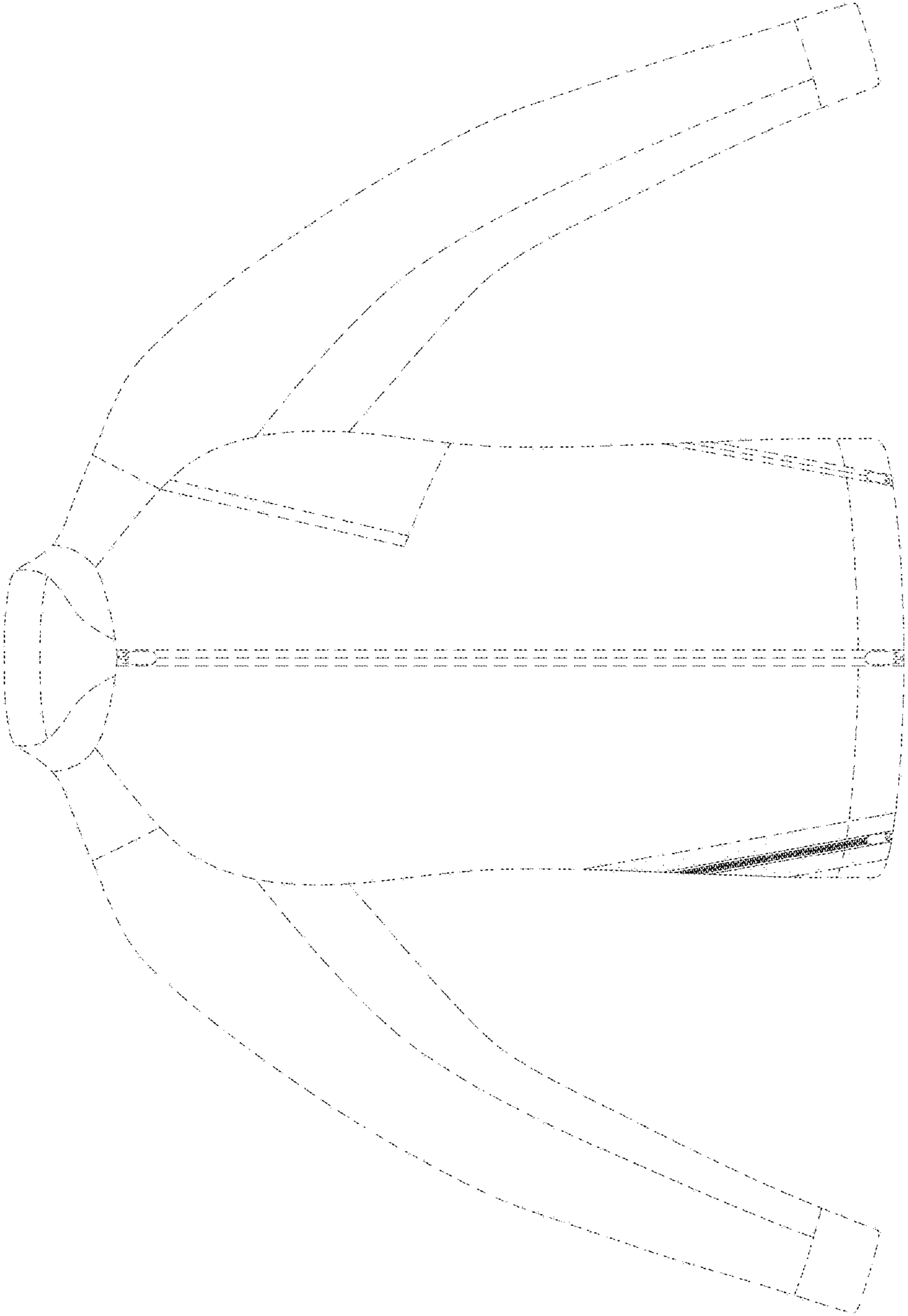


FIG. 2

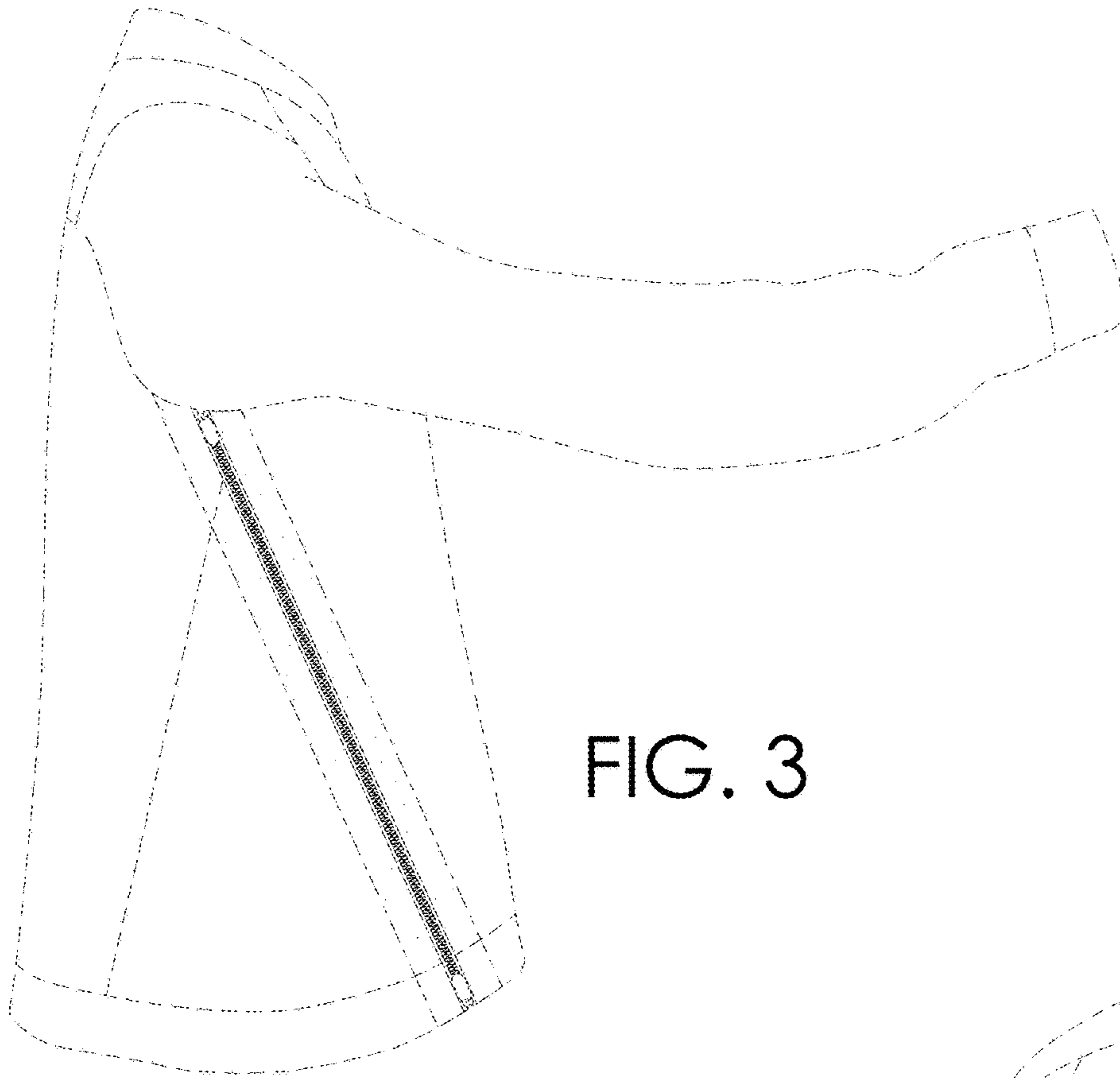


FIG. 3

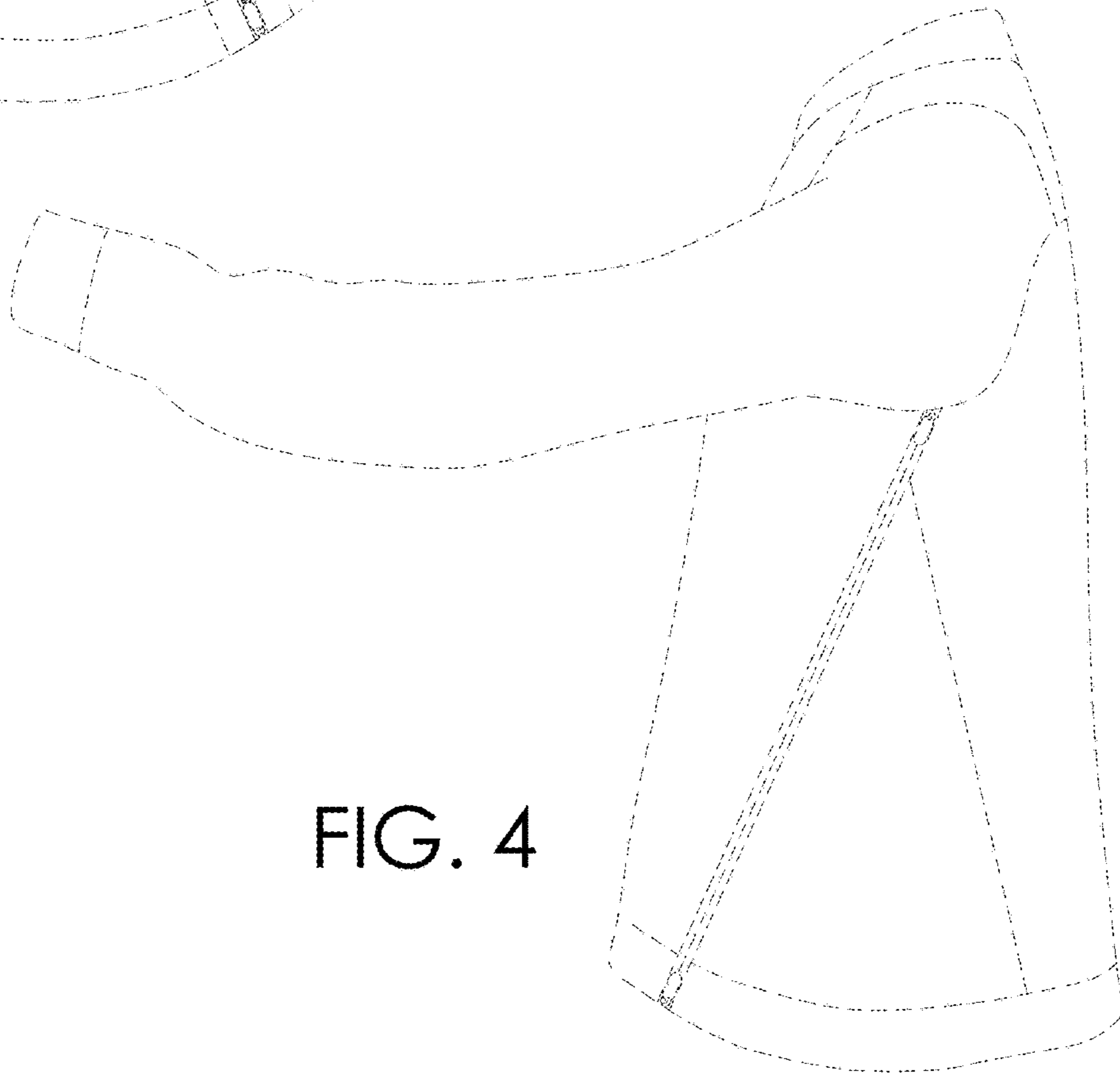


FIG. 4

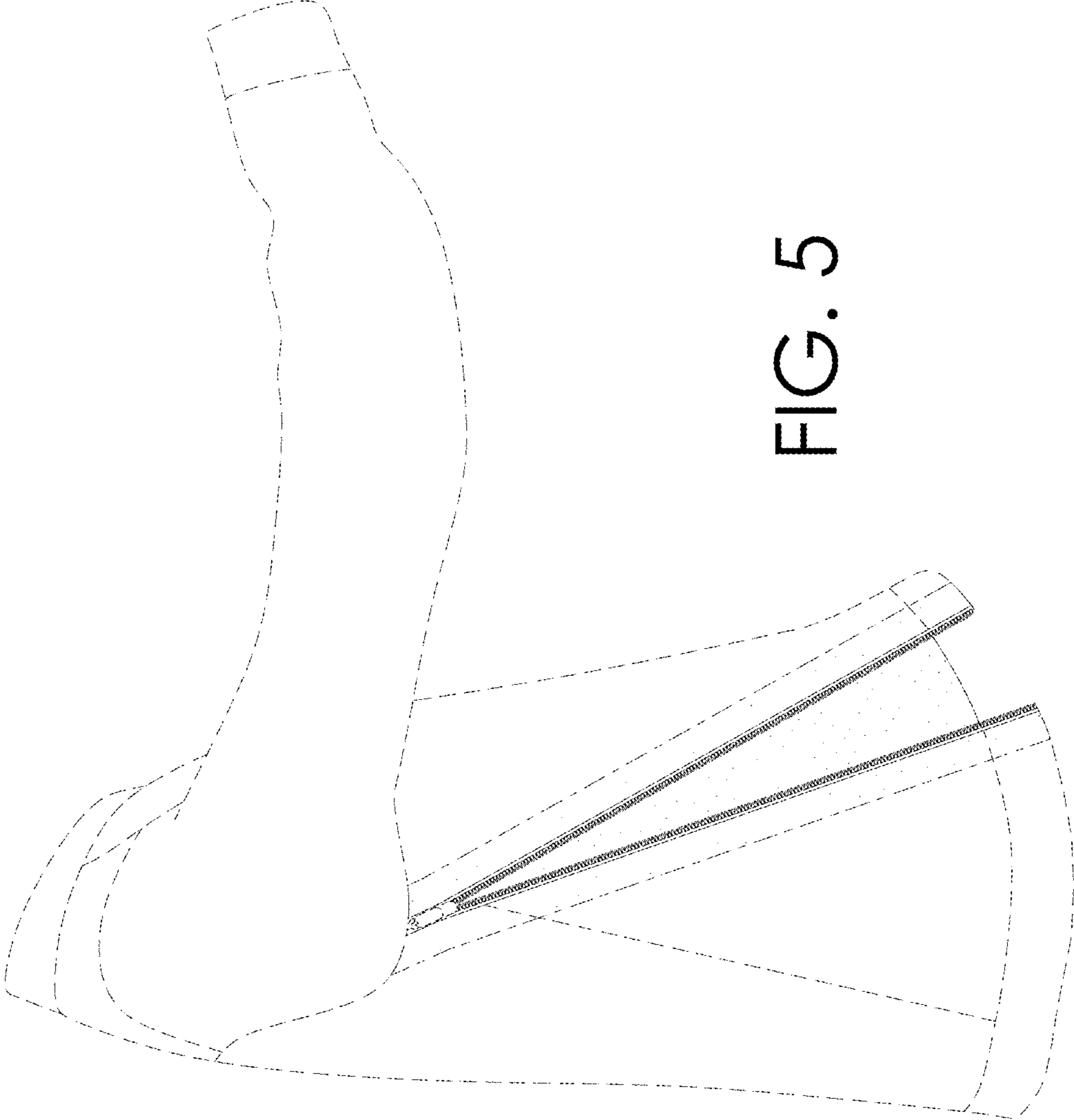


FIG. 5

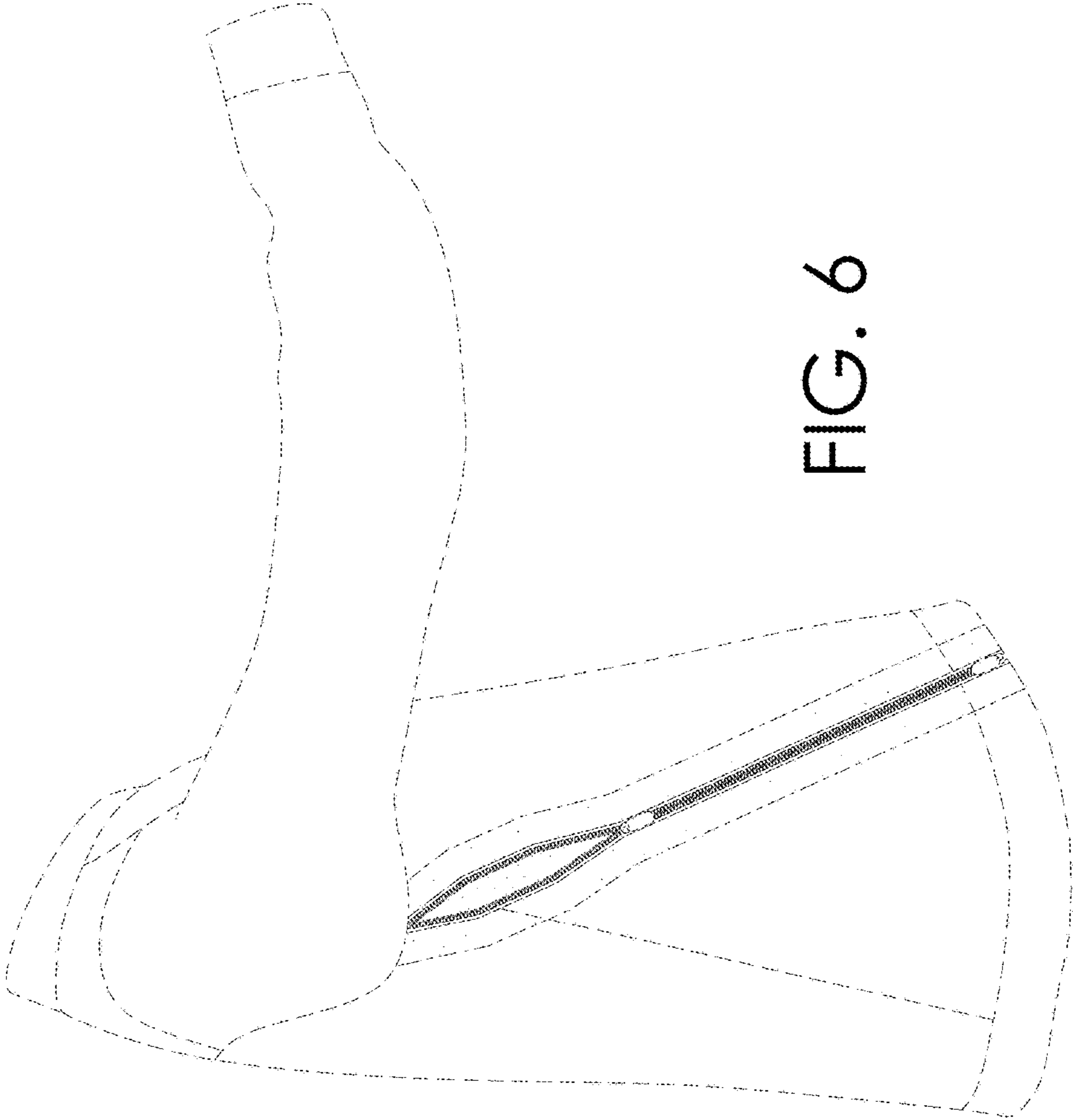


FIG. 6

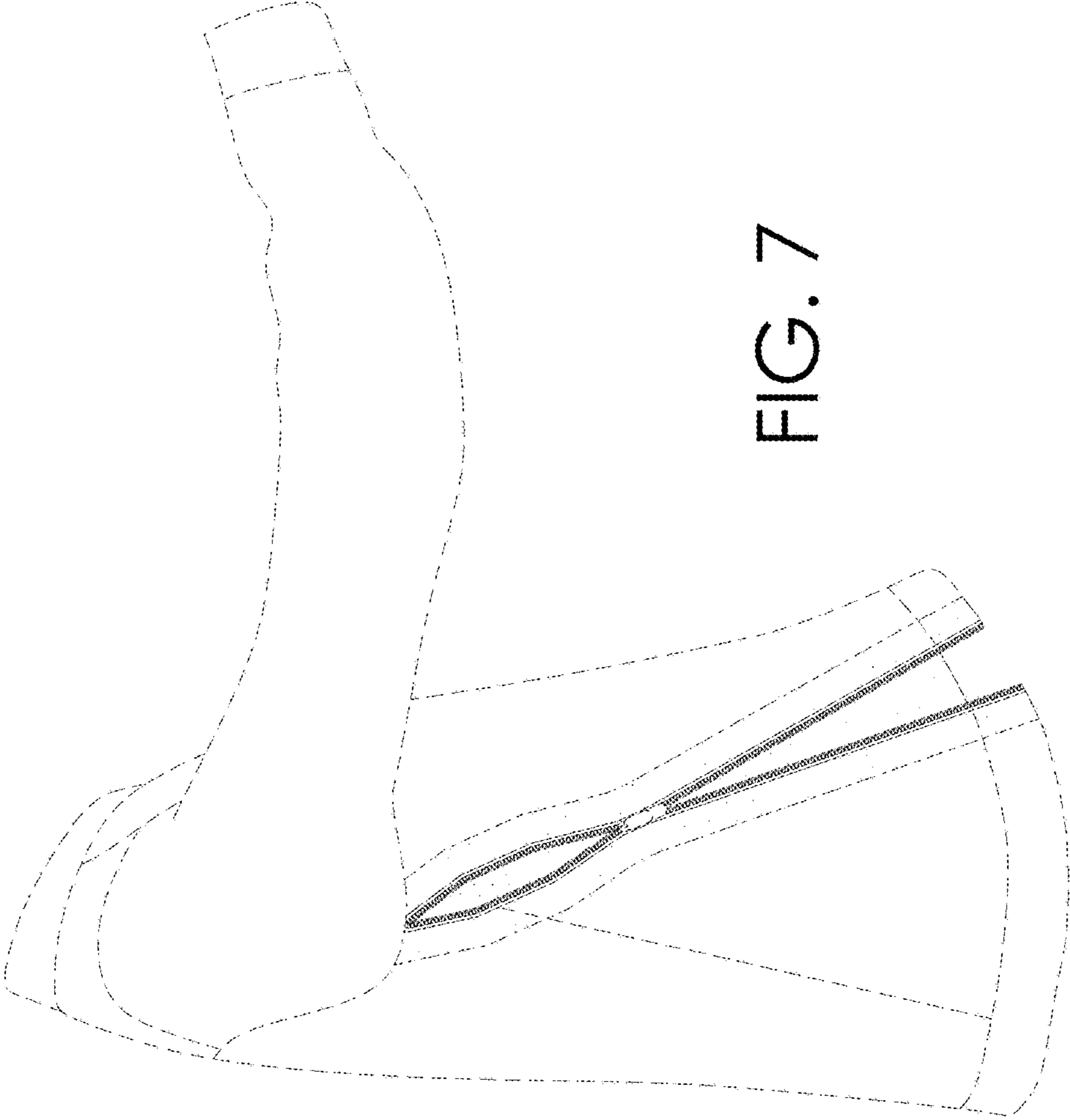


FIG. 7

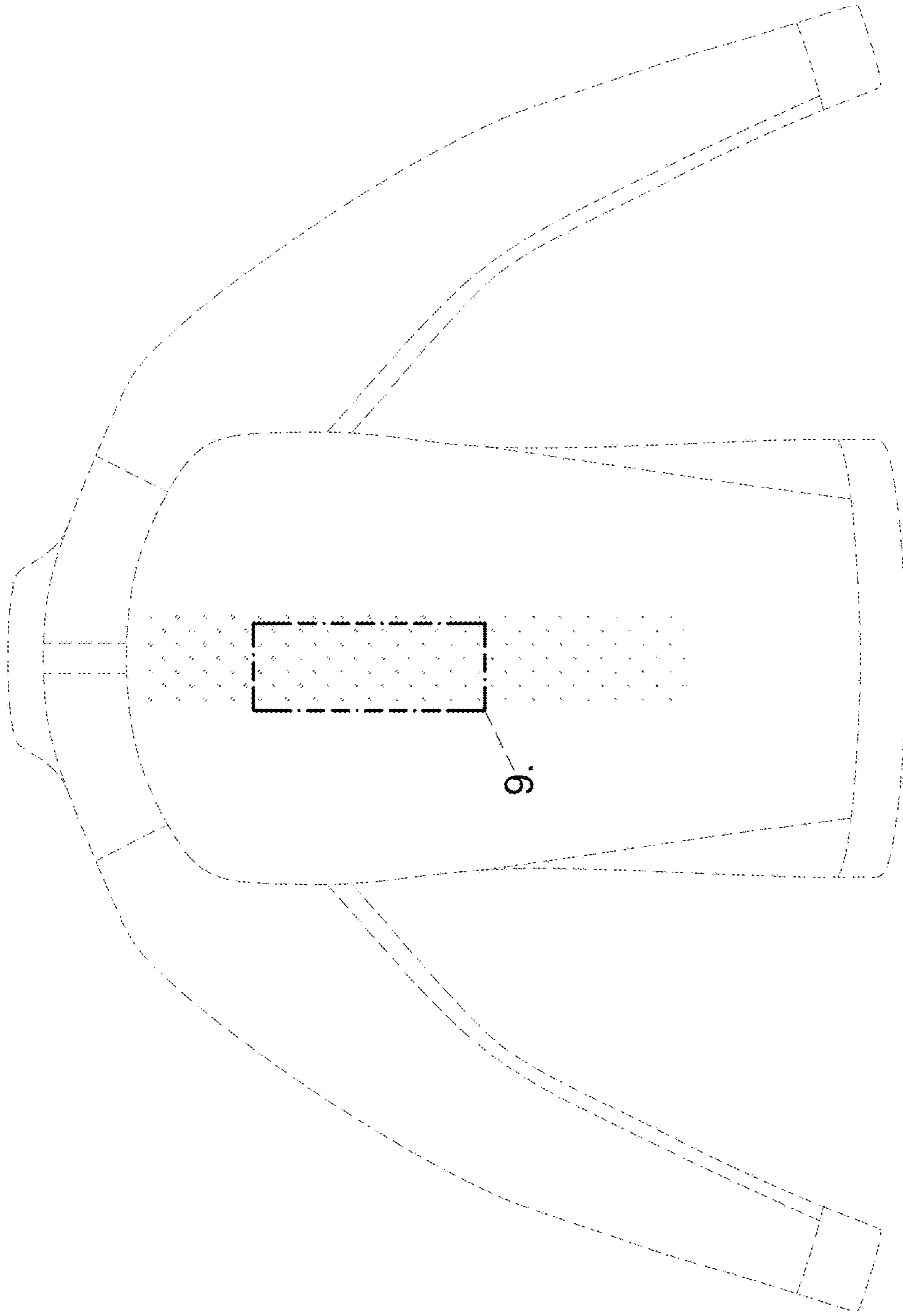


FIG. 8

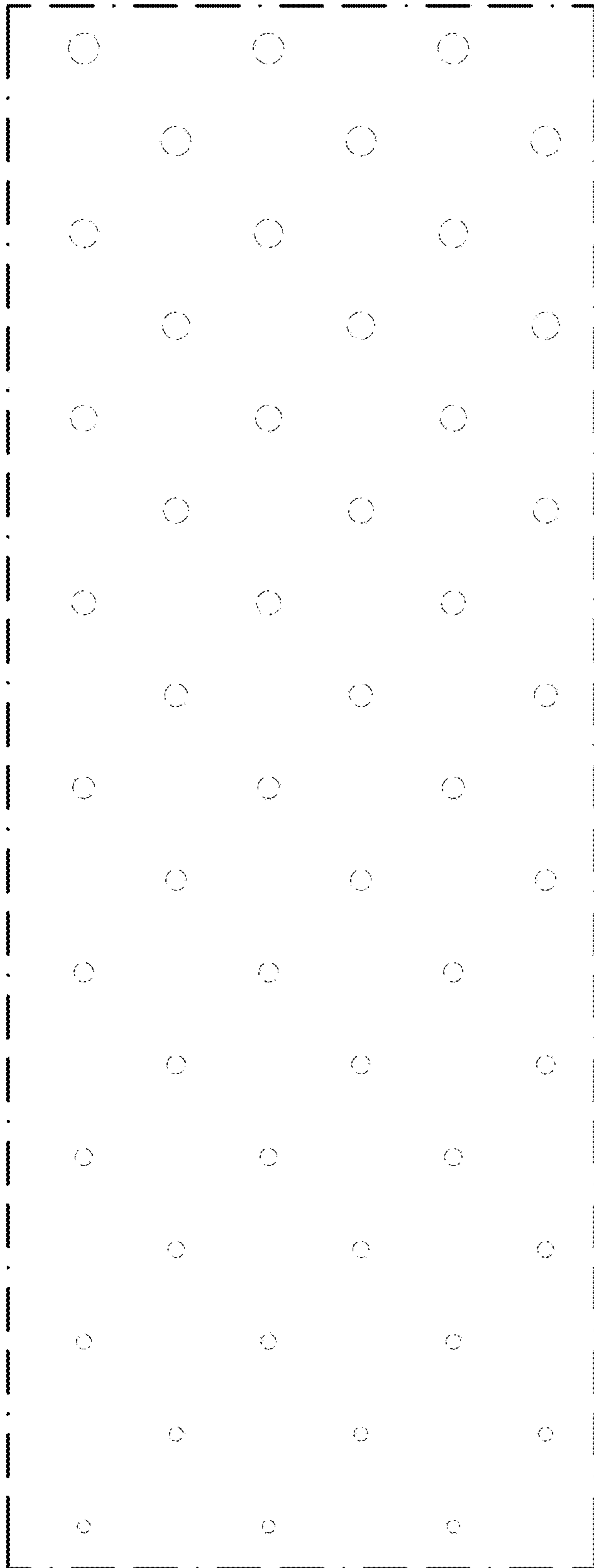


FIG. 9

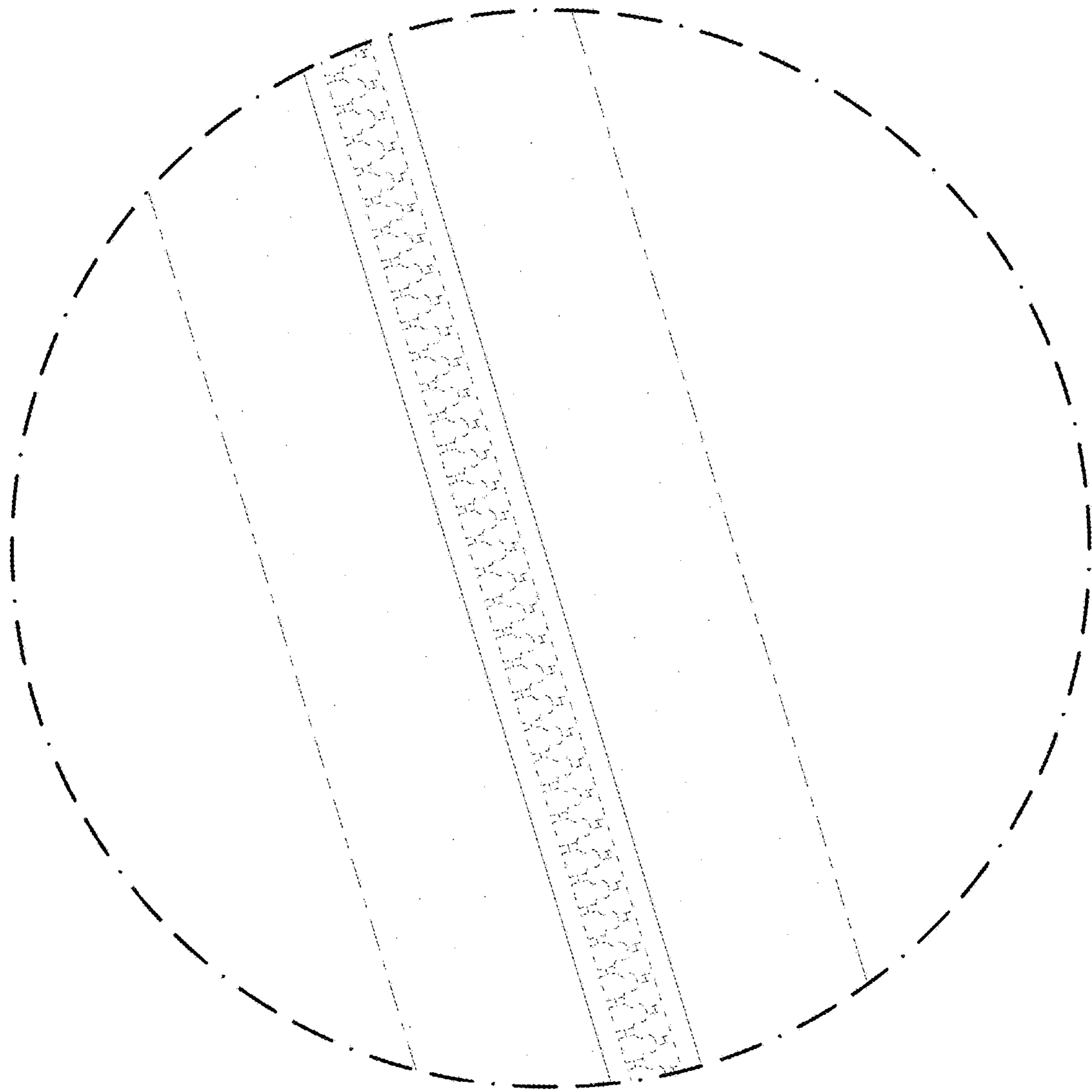


FIG. 10