



US00D825128S

(12) **United States Design Patent** (10) **Patent No.:** **US D825,128 S**  
**Nolen, Sr.** (45) **Date of Patent:** **\*\* Aug. 7, 2018**

(54) **DRYING RACK**  
(71) Applicant: **Jackie Nolen, Sr.**, Minden, LA (US)  
(72) Inventor: **Jackie Nolen, Sr.**, Minden, LA (US)  
(\*\*) Term: **15 Years**  
(21) Appl. No.: **29/611,825**  
(22) Filed: **Jul. 26, 2017**

(51) **LOC (11) Cl.** ..... **07-05**  
(52) **U.S. Cl.**  
USPC ..... **D32/58**  
(58) **Field of Classification Search**  
USPC ..... D32/55, 276, 3, 58; D6/510, 525;  
211/41.5, 41.4, 41.3, 41.8, 195, 200;  
361/679.4; 312/311, 333, 334.4;  
D7/354, 629, 368  
CPC .. F26B 25/18; F26B 9/003; A61L 9/20; A47F  
3/08; A47B 43/00; D06F 57/12  
See application file for complete search history.

(56) **References Cited**

**U.S. PATENT DOCUMENTS**

211,613 A	1/1879	Woodworth	
1,981,268 A	11/1934	Heiser	
D136,003 S *	7/1943	Aaronson	D32/58
D162,149 S *	2/1951	Gaither	D32/58
D235,239 S *	6/1975	Cartwright	D32/58
4,807,766 A	2/1989	Compagnucci	

D322,698 S *	12/1991	Cassel	D32/58
5,213,221 A	5/1993	Raye, Sr.	
D423,161 S	4/2000	Mersseman	
6,283,314 B1	9/2001	Loguerico	
D546,013 S *	7/2007	Pong	D32/58
D655,877 S *	3/2012	Greenway	D32/58
D718,511 S *	11/2014	Ouyang	D32/58
D720,908 S *	1/2015	Ouyang	D32/58
D737,532 S *	8/2015	Oh	D32/58
D741,563 S *	10/2015	Ouyang	D32/58
D801,613 S *	10/2017	Felsenthal	D32/58
D808,101 S *	1/2018	Greenspon	D32/58

\* cited by examiner

*Primary Examiner* — Austin Murphy

(74) *Attorney, Agent, or Firm* — Cramer Patent & Design, PLLC; Aaron R. Cramer

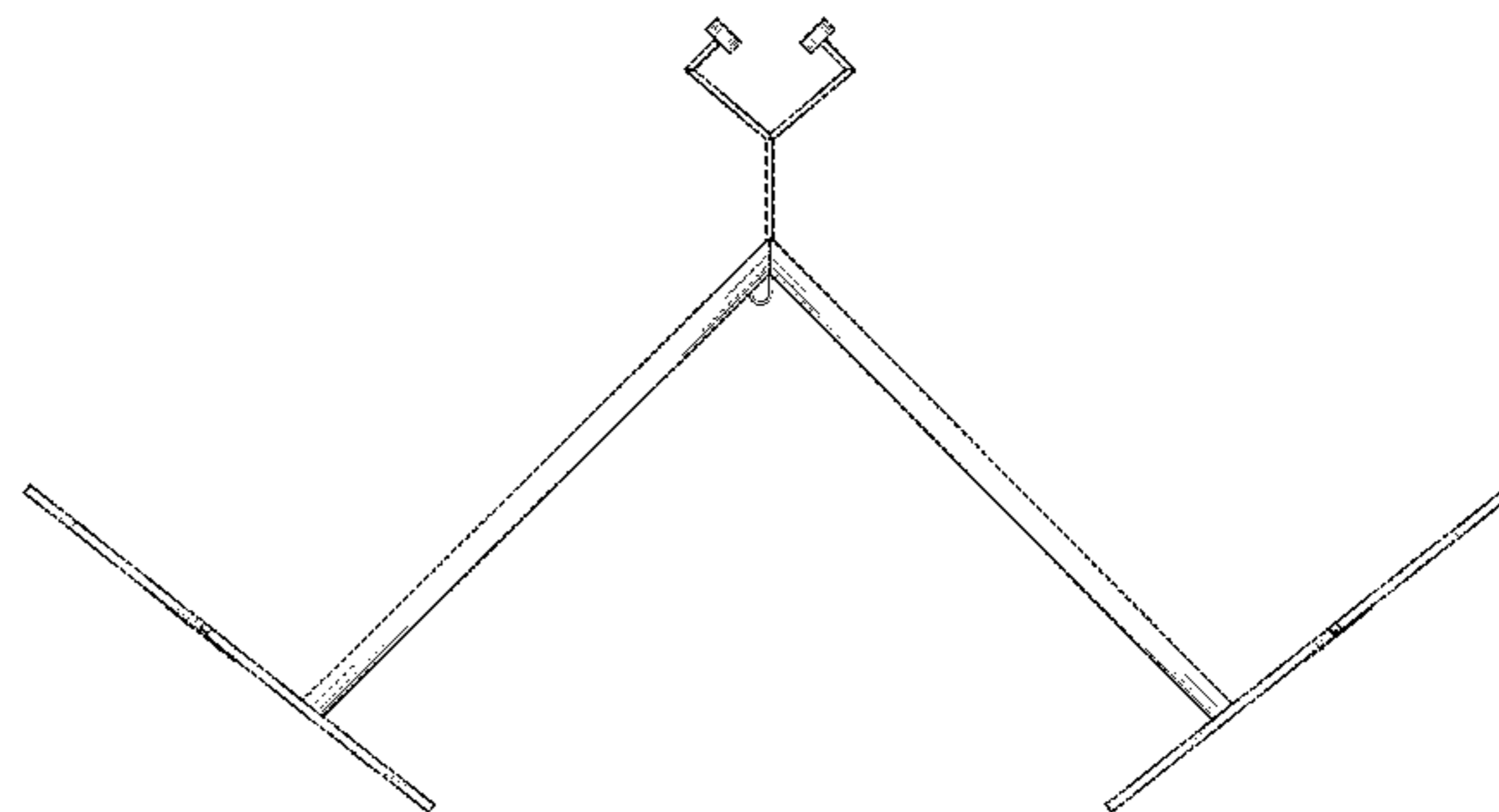
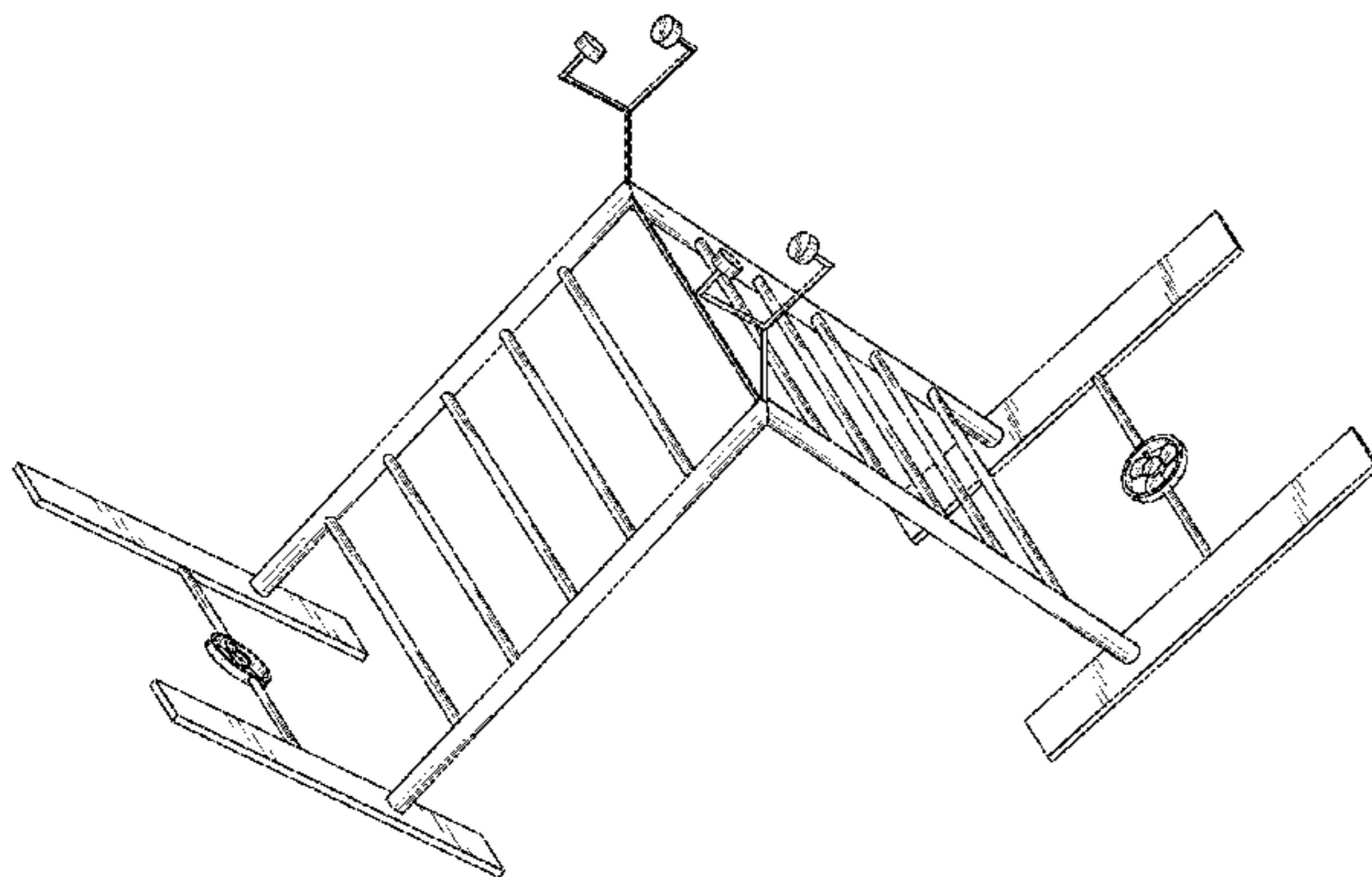
(57) **CLAIM**

The ornamental design for a drying rack, as shown and described.

**DESCRIPTION**

FIG. 1 is a perspective top front right view of a drying rack, showing my new design;  
FIG. 2 is a front elevation view thereof;  
FIG. 3 is a rear elevation view thereof;  
FIG. 4 is a left elevation view thereof;  
FIG. 5 is a right elevation view thereof;  
FIG. 6 is a top plan view thereof; and,  
FIG. 7 is a bottom plan view thereof.

**1 Claim, 7 Drawing Sheets**



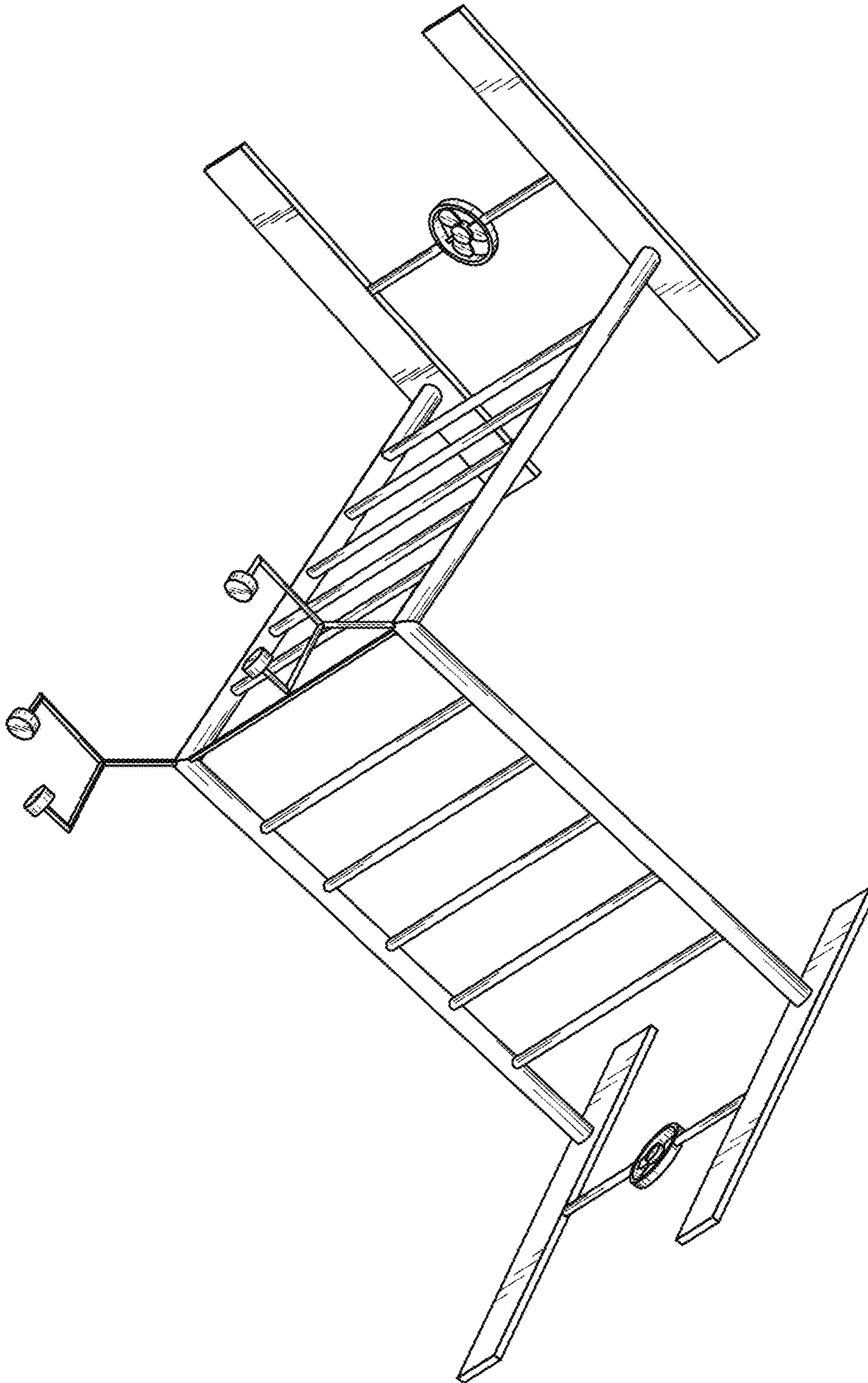


FIG. 1

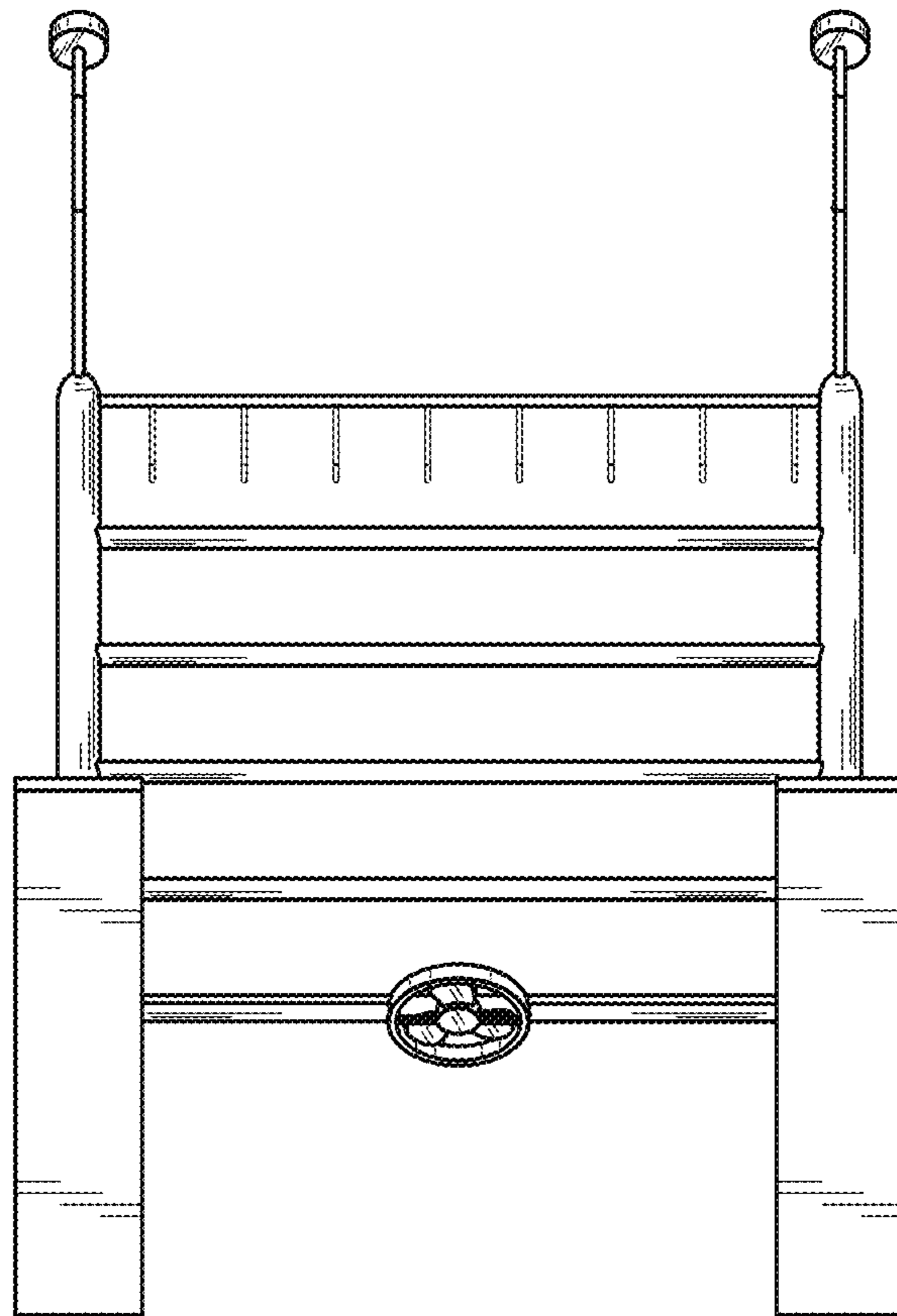


FIG. 2

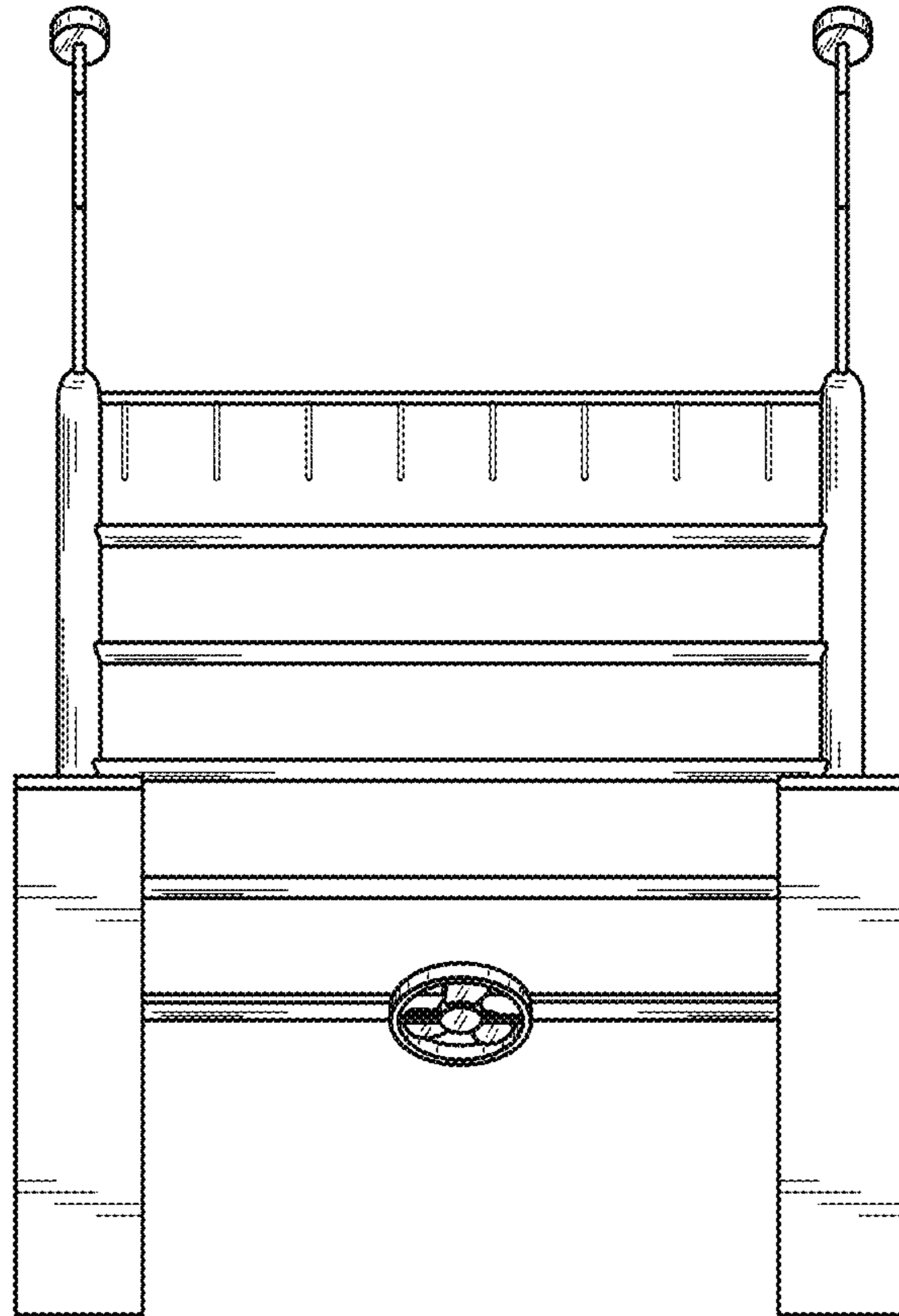


FIG. 3

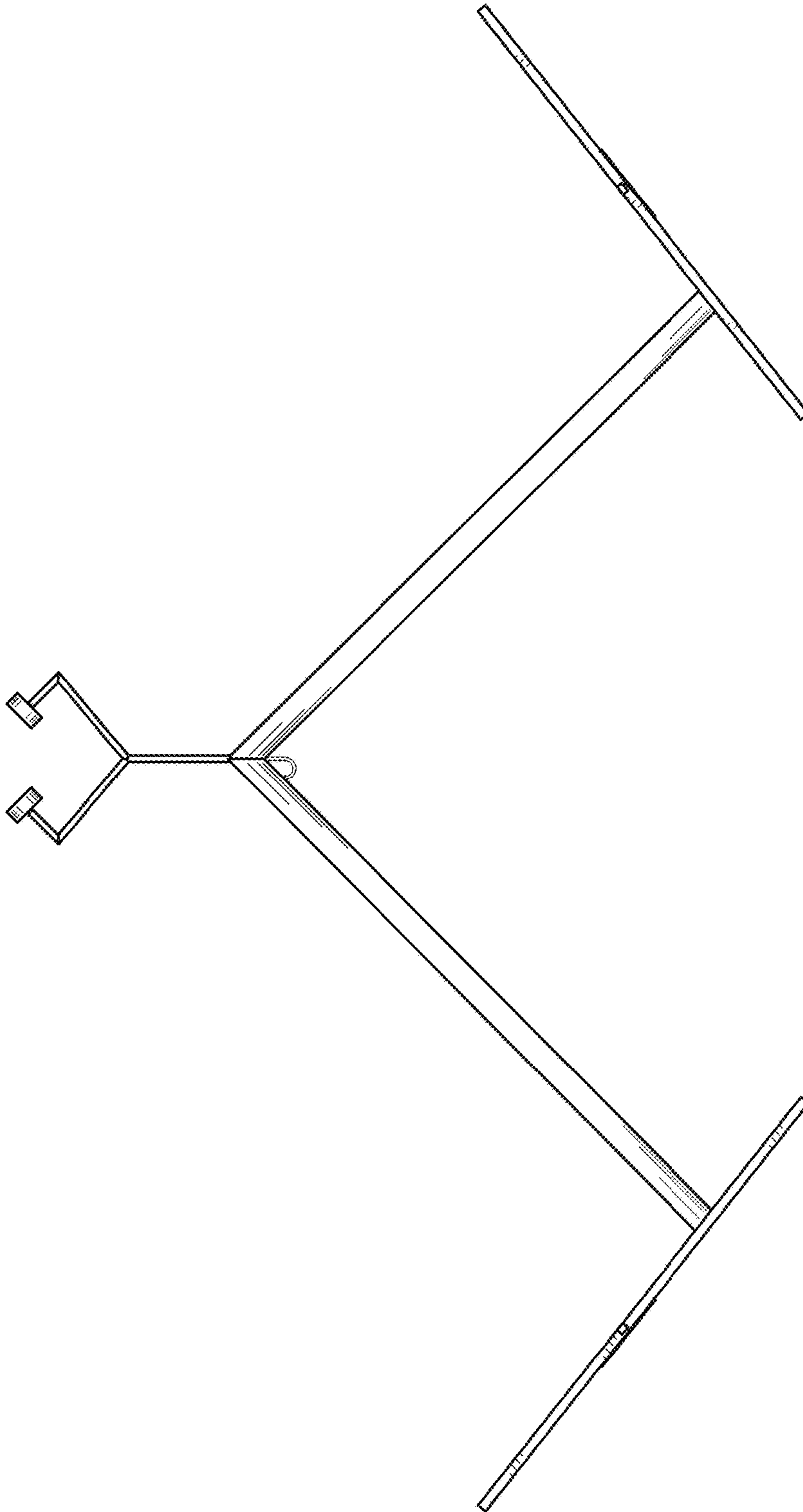


FIG. 4

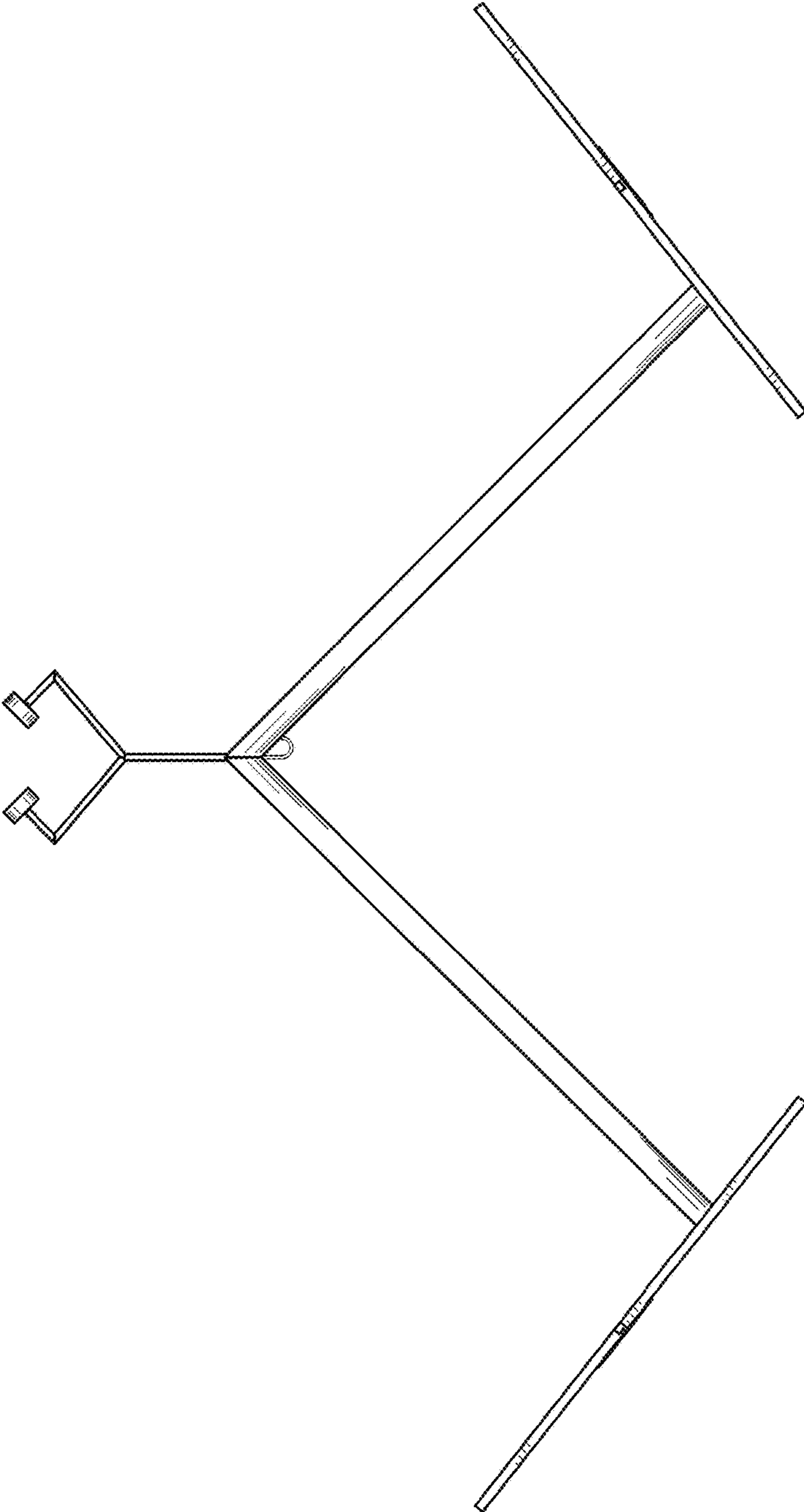


FIG. 5

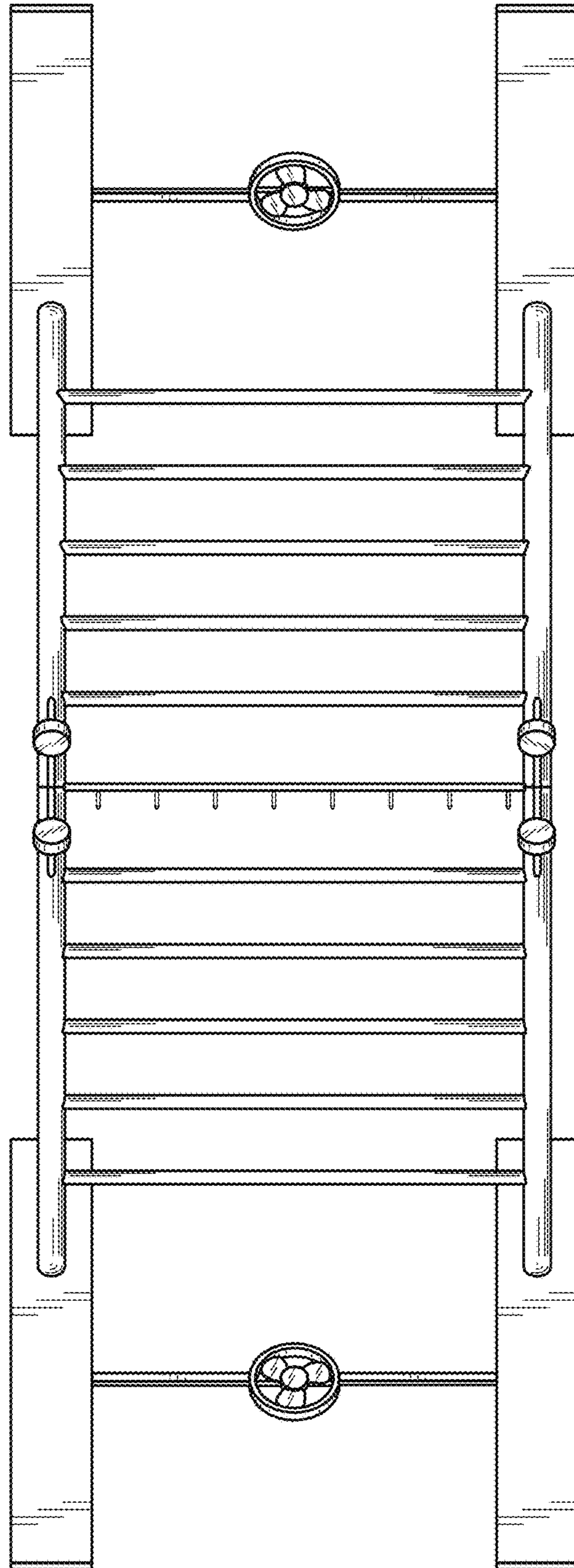


FIG. 6

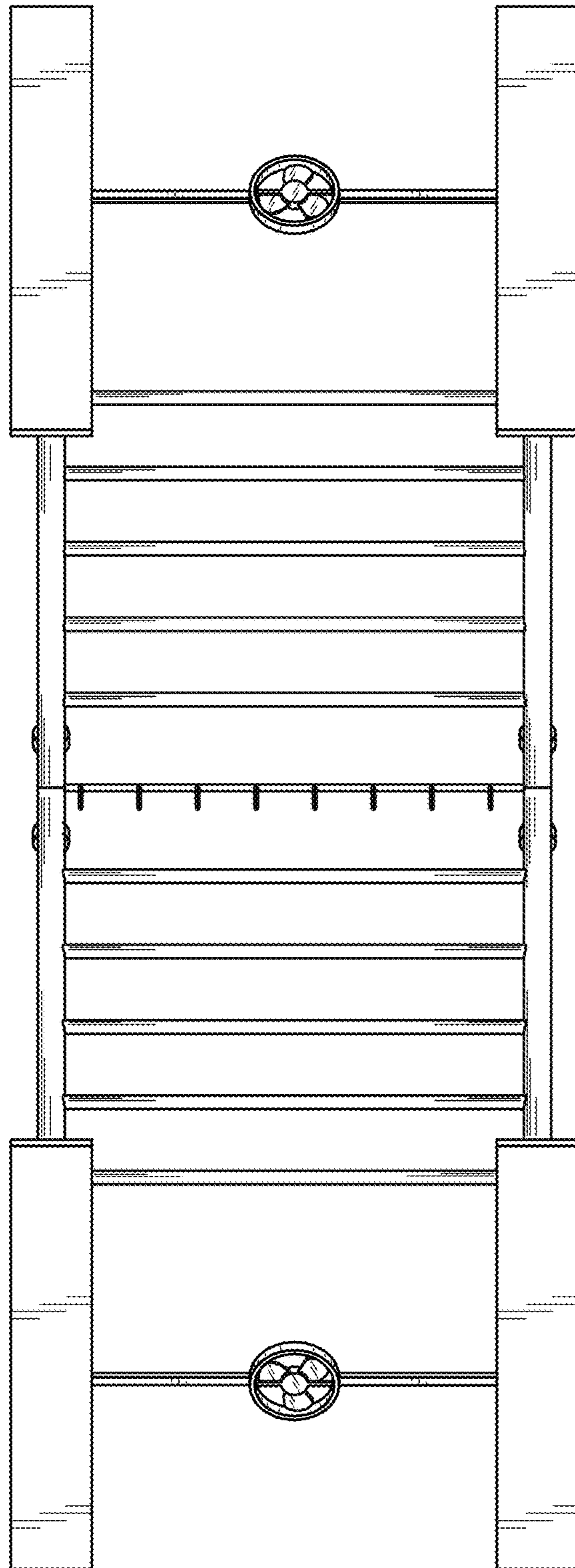


FIG. 7