



US00D825126S

(12) **United States Design Patent** (10) **Patent No.:** **US D825,126 S**
Varner (45) **Date of Patent:** **** Aug. 7, 2018**

- (54) **HAND-HELD WIPER DEVICE FOR SOLID AND LIQUID WASTE**
- (71) Applicant: **Donald Varner**, Hollister, CA (US)
- (72) Inventor: **Donald Varner**, Hollister, CA (US)
- (73) Assignee: **One PassWater Blade LLC**, Hollister, CA (US)
- (**) Term: **15 Years**
- (21) Appl. No.: **29/606,104**
- (22) Filed: **Jun. 1, 2017**
- (51) **LOC (11) Cl.** **07-05**
- (52) **U.S. Cl.**
USPC **D32/41**
- (58) **Field of Classification Search**
USPC D32/40-52; D7/683, 653; D8/11-13; D4/116, 118
CPC A47L 17/00; B08B 1/00
See application file for complete search history.

- D422,124 S * 3/2000 Rimback D32/41
 - D448,177 S * 9/2001 Grabowski D4/129
 - D481,501 S * 10/2003 Richter D32/41
 - D591,167 S * 4/2009 Kyster D9/719
- (Continued)

FOREIGN PATENT DOCUMENTS

CN 303080327 * 1/2015

OTHER PUBLICATIONS

Casabella® Dustpan & Brush Set—Bed Bath & Beyond, reviews Oct. 16, 2015, site visited Mar. 3, 2018, <https://www.bedbathandbeyond.com/store/product/casabella-reg-dustpan-brush-set/1041911> . . . (Year: 2015).*

Primary Examiner — John Windmuller
Assistant Examiner — John R Yeh
(74) *Attorney, Agent, or Firm* — Donald R. Boys; Central Coast Patent Agency, LLC

(57) **CLAIM**

I claim the ornamental design for a hand-held wiper device for solid and liquid waste, as shown and described.

DESCRIPTION

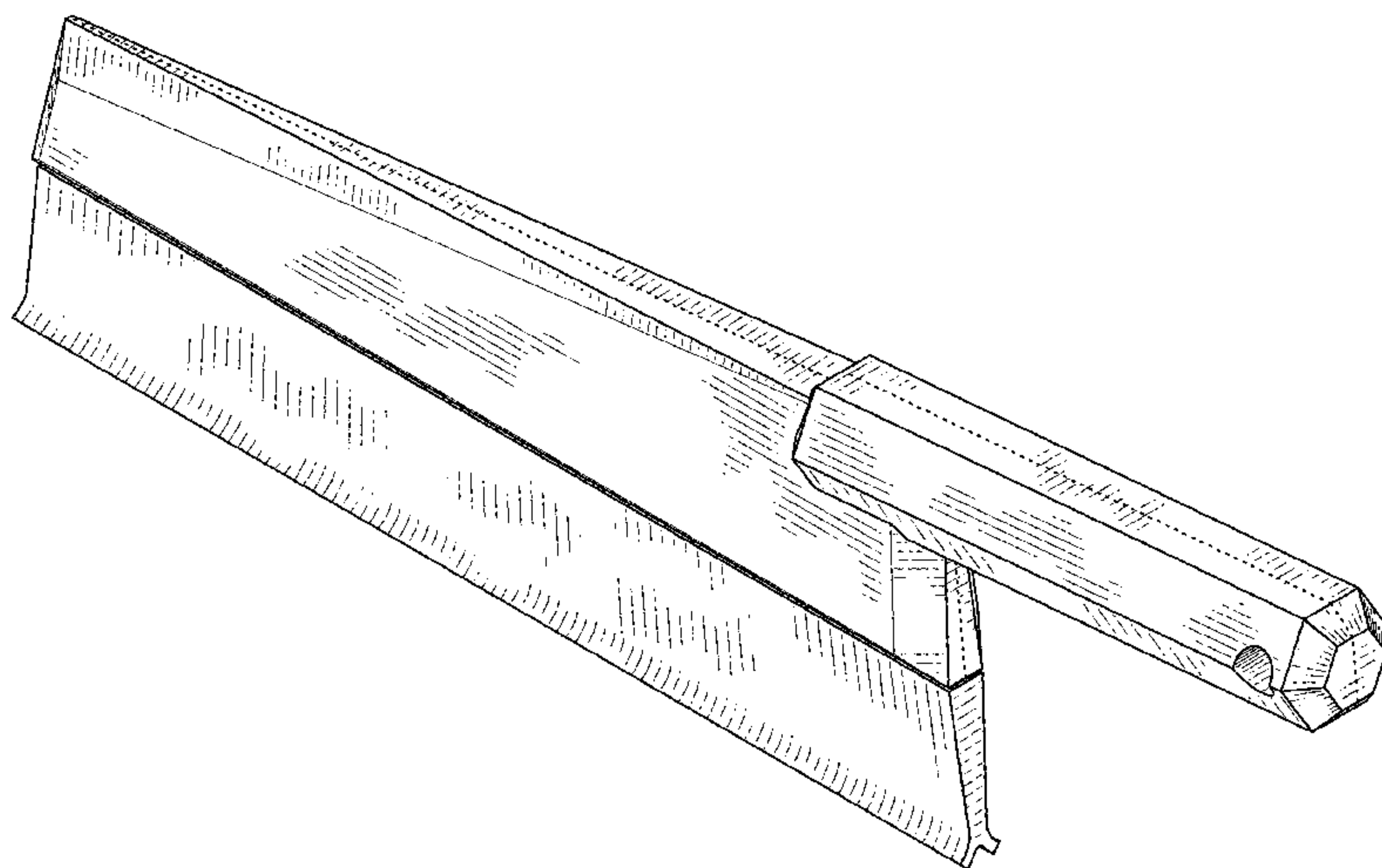
FIG. 1 is a front perspective view of the hand-held wiper device for solid and liquid waste.
FIG. 2 is a rear perspective view thereof.
FIG. 3 is front view thereof.
FIG. 4 is a back view thereof.
FIG. 5 is a top view thereof.
FIG. 6 is a bottom view thereof.
FIG. 7 is a right side view thereof; and,
FIG. 8 is a left side view thereof.
The dotted lines represent portions of the hand-held wiper device for solid and liquid waste that form no part of the claimed design.

1 Claim, 5 Drawing Sheets

(56) **References Cited**

U.S. PATENT DOCUMENTS

- D23,068 S * 2/1894 Leggett 30/169
- 1,797,008 A * 3/1931 Mark A46B 3/08
15/159.1
- D273,432 S * 4/1984 Jacobson D32/40
- D274,147 S * 6/1984 Jacobson D32/40
- D280,247 S * 8/1985 Jones D32/41
- D320,483 S * 10/1991 Desautel 15/236.05
- D320,492 S * 10/1991 Diebert D32/46
- D352,432 S * 11/1994 Monroe D32/41
- D359,221 S * 6/1995 Pytlewski D8/107
- D359,854 S * 7/1995 Hoagland D4/129
- D363,609 S * 10/1995 Bochnak D4/138
- D367,344 S * 2/1996 Kruse D32/49
- D368,998 S * 4/1996 King D32/46
- D369,886 S * 5/1996 McCollum D32/46
- D374,990 S * 10/1996 Torkelson D4/114
- D400,788 S * 11/1998 Lin D32/41



(56)

References Cited

U.S. PATENT DOCUMENTS

D603,116 S * 10/2009 Antonello D32/41
D704,071 S * 5/2014 Nichols D9/719

* cited by examiner

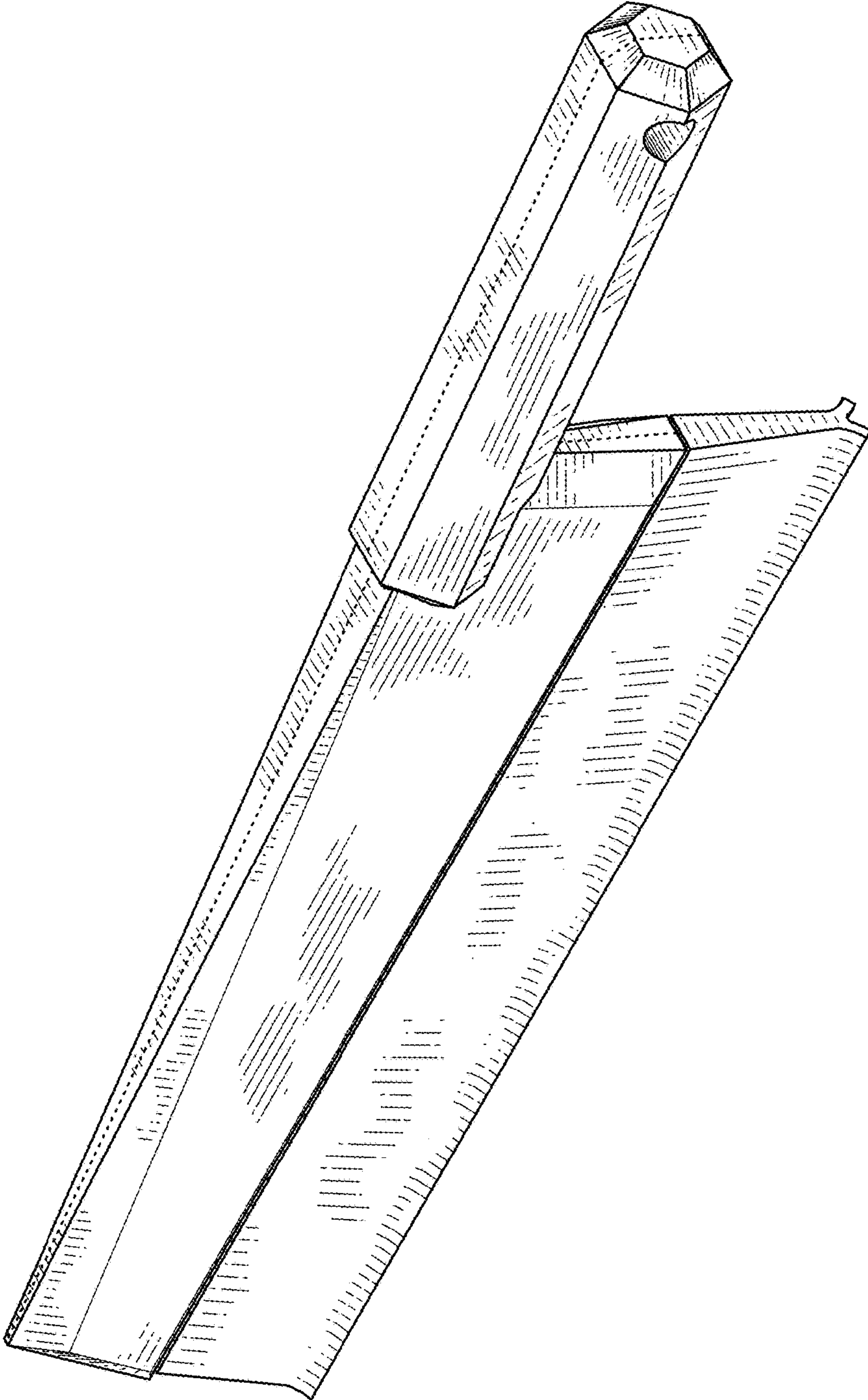


Fig. 1

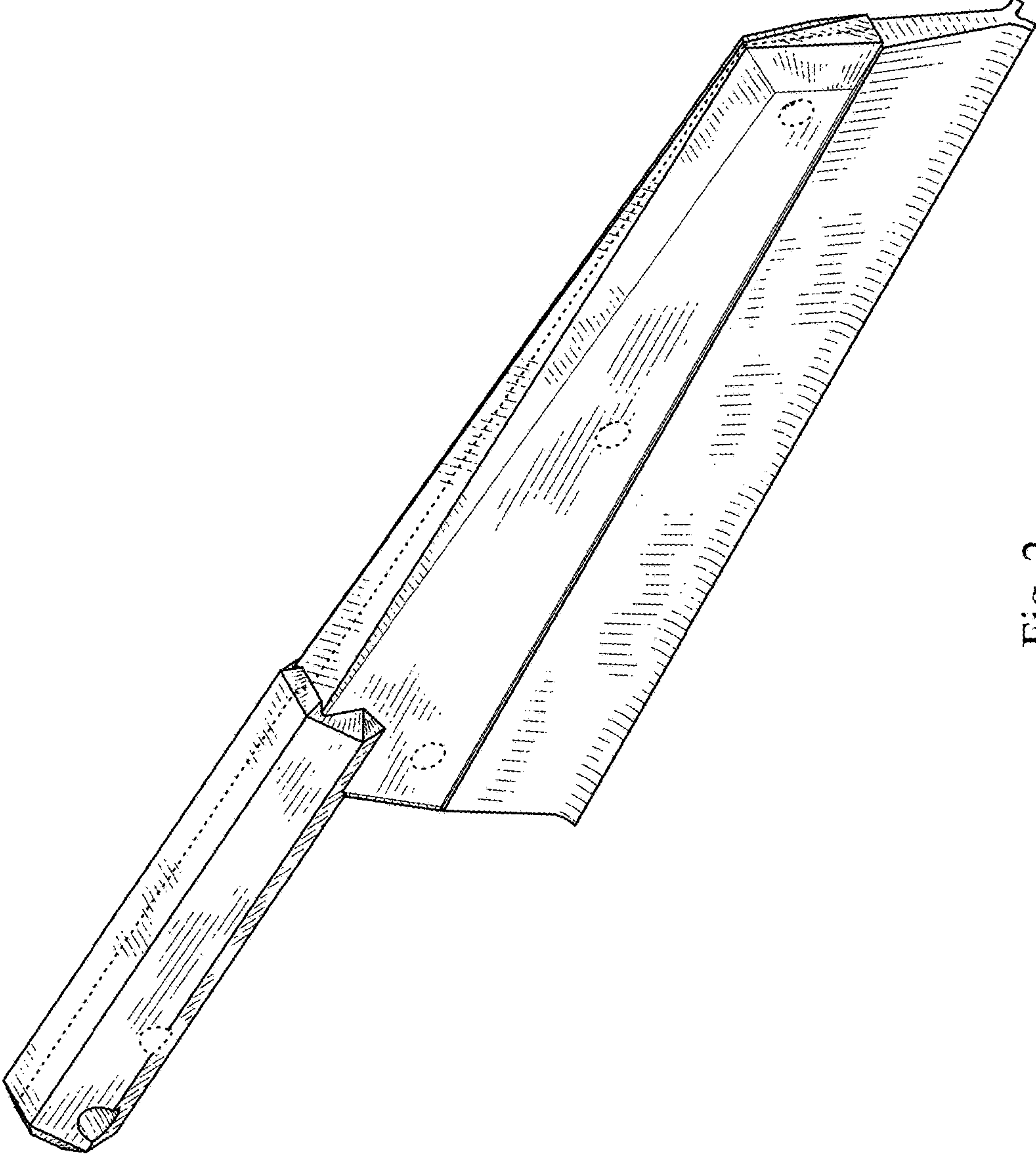


Fig. 2

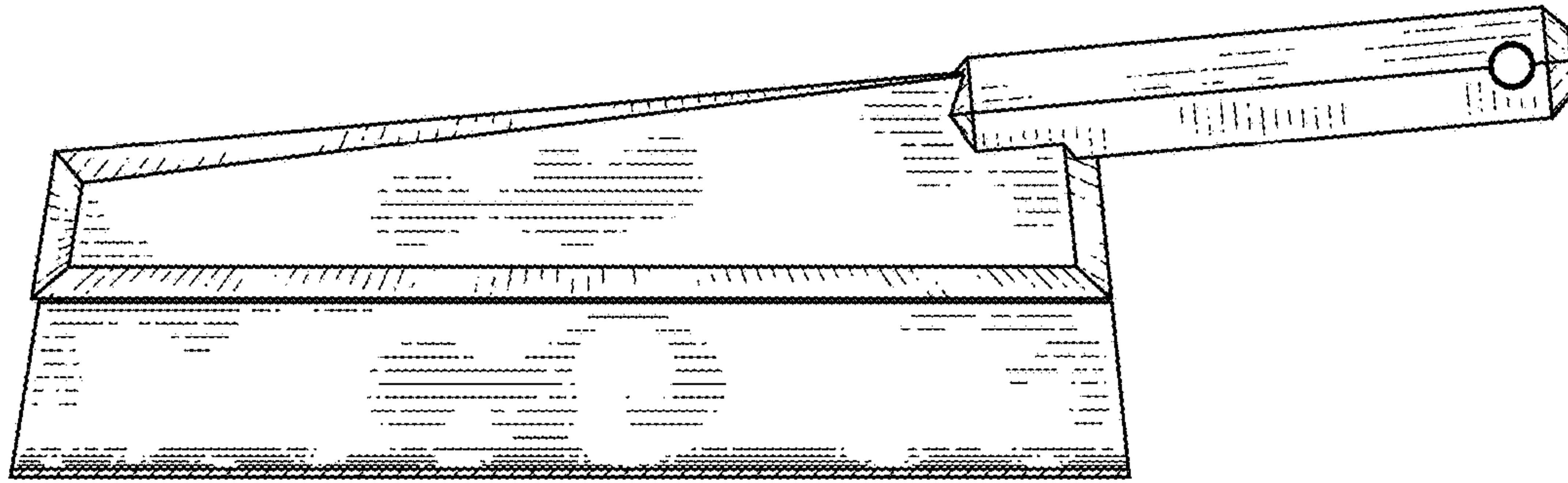


Fig. 3

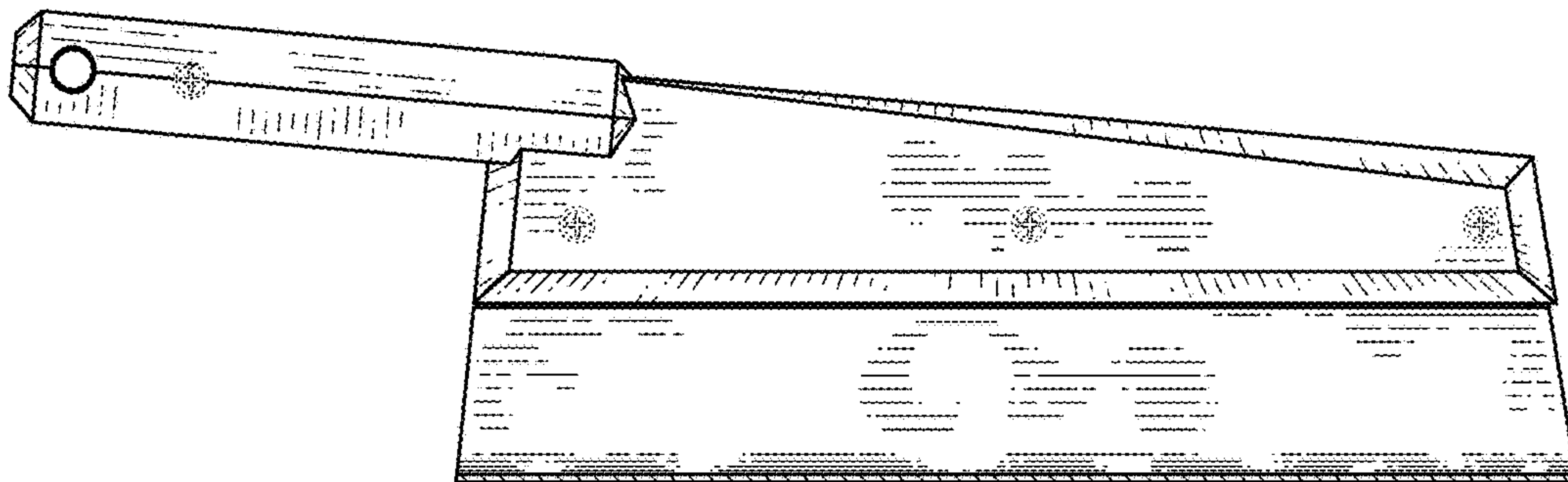


Fig. 4

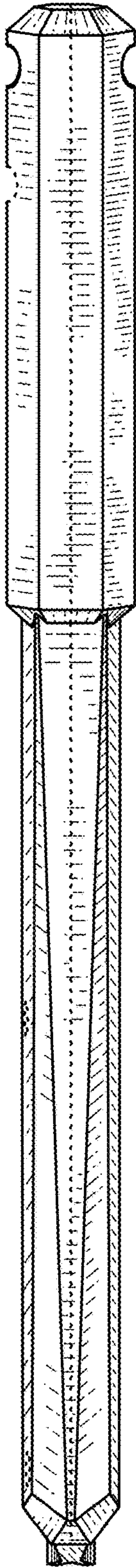


Fig. 5

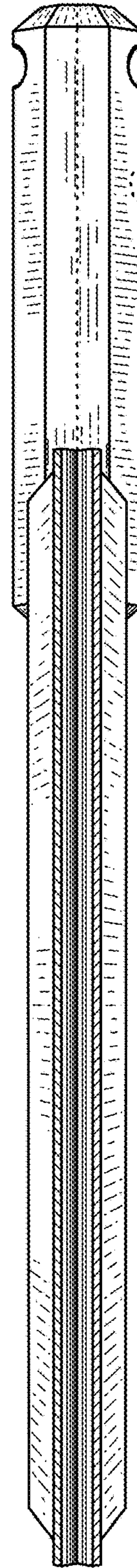


Fig. 6

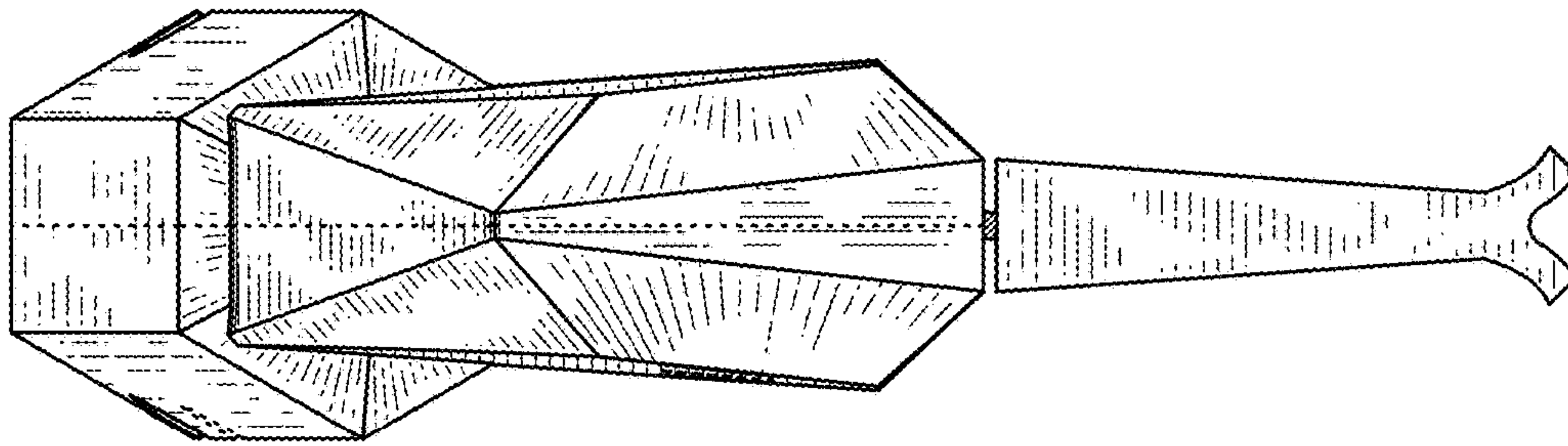


Fig. 8

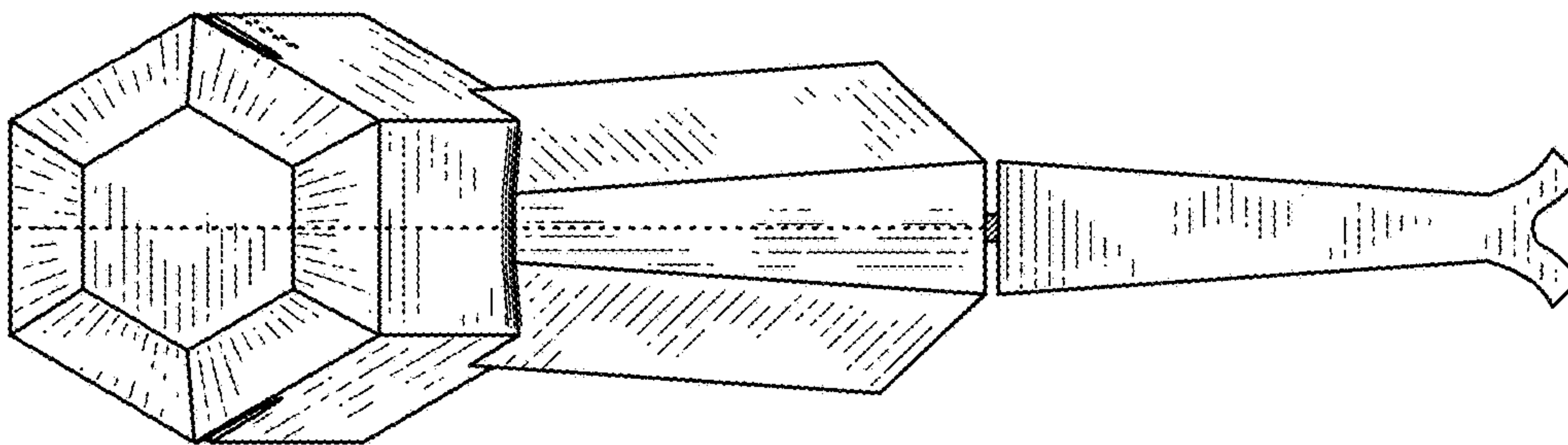


Fig. 7