

US00D825122S

(12) **United States Design Patent** (10) **Patent No.:** **US D825,122 S**
Conn et al. (45) **Date of Patent:** **** Aug. 7, 2018**

(54) **FABRIC CARE APPLIANCE**
(71) Applicant: **WHIRLPOOL CORPORATION**,
Benton Harbor, MI (US)
(72) Inventors: **Matthew B. Conn**, Granger, IN (US);
Gregory A. Ferro, Elkhart, IN (US);
Christopher A. Gregory, St. Joseph,
MI (US); **Nicholas Koukourakis**,
Stevensville, MI (US); **Adam Richard**
Brown, Holland, MI (US)
(73) Assignee: **Whirlpool Corporation**, Benton
Harbor, MI (US)
(**) Term: **15 Years**
(21) Appl. No.: **29/605,906**
(22) Filed: **May 31, 2017**
(51) **LOC (11) Cl.** **15-05**
(52) **U.S. Cl.**
USPC **D32/28; D32/6**
(58) **Field of Classification Search**
USPC D32/1, 5-6, 8, 25, 28, 29
CPC D06F 33/02; D06F 2204/065; D06F 25/00;
D06F 35/006; D06F 37/28; D06F 39/14;
D06F 58/203
See application file for complete search history.

(56) **References Cited**
U.S. PATENT DOCUMENTS
D456,572 S * 4/2002 Resuello D32/28
D519,247 S * 4/2006 Kim D32/6
D519,691 S * 4/2006 Kim D32/6
D597,711 S * 8/2009 Nam D32/6
D611,207 S * 3/2010 Yalcin D32/6
D626,300 S * 10/2010 Lee D32/6
D630,807 S * 1/2011 Song D32/6
D631,624 S * 1/2011 Chung D32/6
D659,307 S * 5/2012 Geyer D32/6

D688,427 S * 8/2013 Meda D32/6
D695,472 S * 12/2013 Borjesson D32/6
D696,478 S * 12/2013 Geyer D32/6
D697,678 S * 1/2014 Jeon D32/6
D701,009 S * 3/2014 Jinnam D32/6
D705,506 S * 5/2014 Kwack D32/28
D705,507 S * 5/2014 Cho D32/28
D712,603 S * 9/2014 Geyer D32/6
D718,505 S * 11/2014 Hyounsub D32/28
D731,129 S * 6/2015 Ha D32/6
D731,718 S * 6/2015 Borjesson D32/6
D731,719 S * 6/2015 Borjesson D32/6
D732,250 S * 6/2015 Borjesson D32/6
D739,097 S * 9/2015 Qin D32/6
D744,179 S * 11/2015 Lee D32/28
9,388,523 B2 * 7/2016 Han D06F 39/14
D773,134 S * 11/2016 Armstrong D32/28
D775,770 S * 1/2017 Yoon D32/2
D785,256 S * 4/2017 Yoon D32/25
D785,257 S * 4/2017 Kim D32/25
D785,881 S * 5/2017 Yoon D32/25

(Continued)

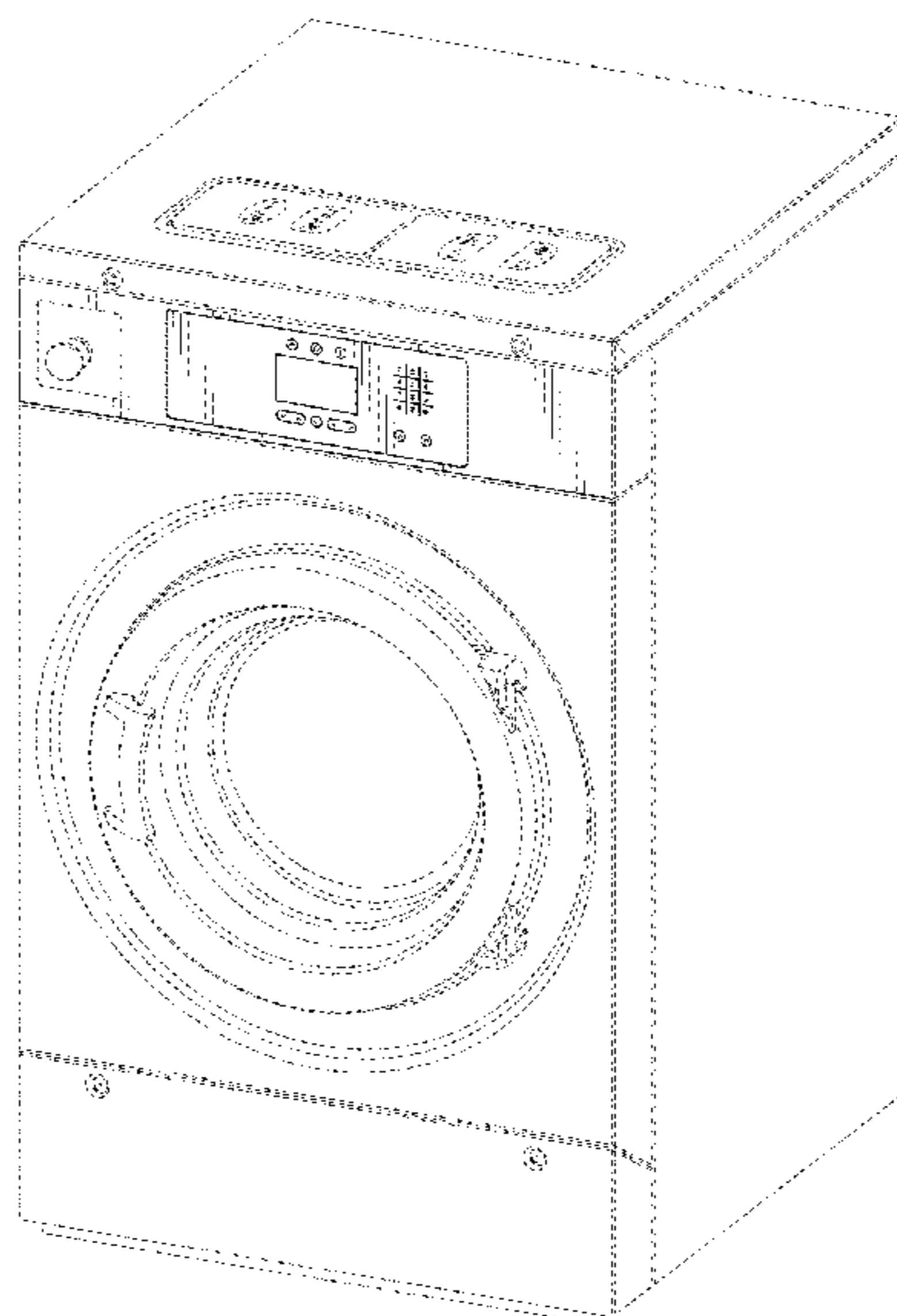
Primary Examiner — Michelle E Wilson
(74) Attorney, Agent, or Firm — Price Heneveld LLP

(57) **CLAIM**
The ornamental design for a fabric care appliance, as shown
and described.

DESCRIPTION

FIG. 1 is a front perspective view of a fabric care appliance
according to our design;
FIG. 2 is a front elevation view thereof;
FIG. 3 is a rear elevation view thereof;
FIG. 4 is a right side elevation view thereof;
FIG. 5 is a left side elevation view thereof;
FIG. 6 is a top plan view thereof; and,
FIG. 7 is a bottom plan view thereof.
The broken lines showing portions of the fabric care appli-
ance form no part of the claimed design.

1 Claim, 7 Drawing Sheets



(56)

References Cited

U.S. PATENT DOCUMENTS

D785,882 S * 5/2017 Kim D32/25
D787,759 S * 5/2017 Geyer D32/6
9,777,423 B2 * 10/2017 Stabon D06F 39/02
9,834,880 B2 * 12/2017 Jo D06F 39/022
2017/0183807 A1 * 6/2017 Cinello D06F 39/028
2017/0342639 A1 * 11/2017 Kim D06F 39/002

* cited by examiner

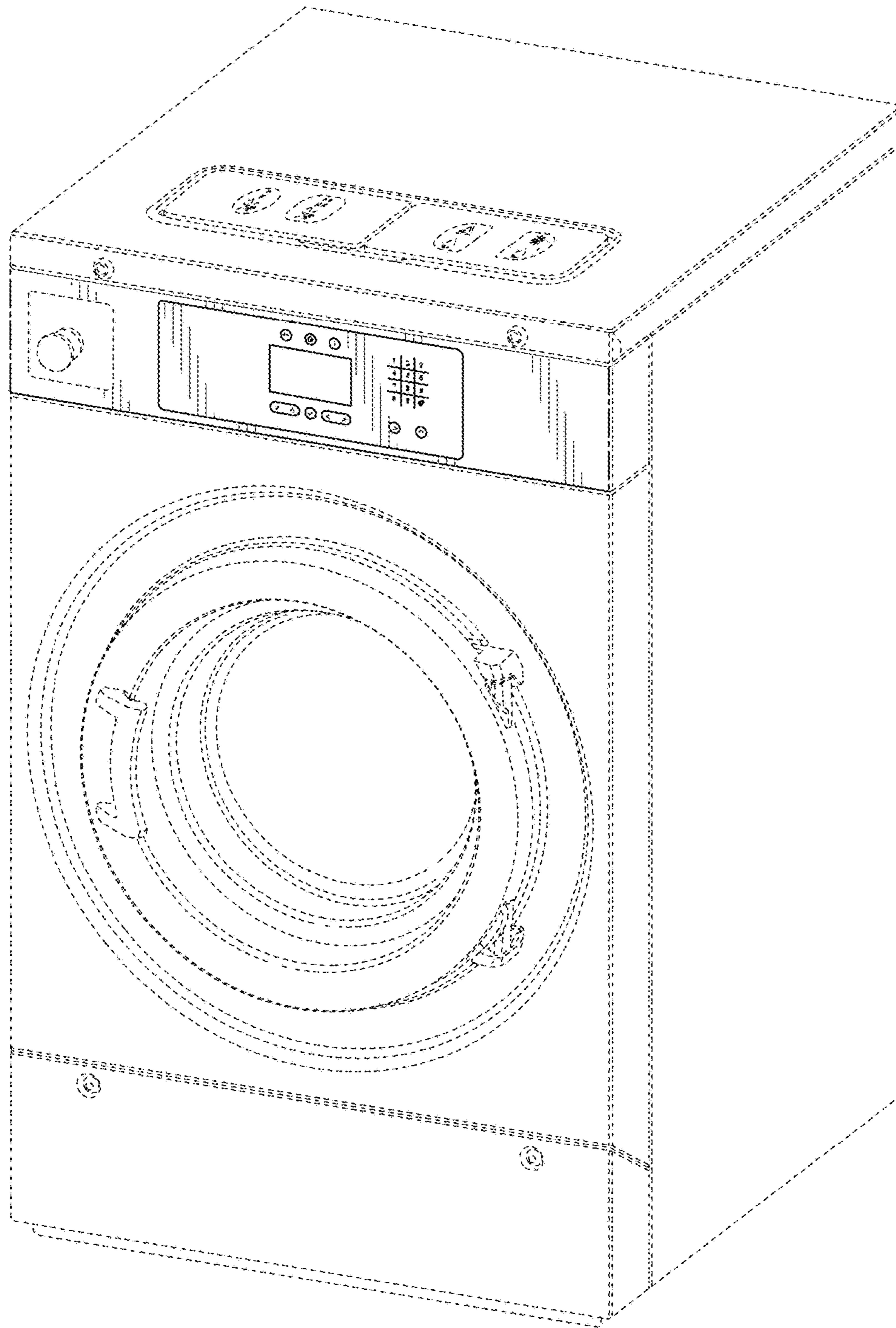


FIG. 1

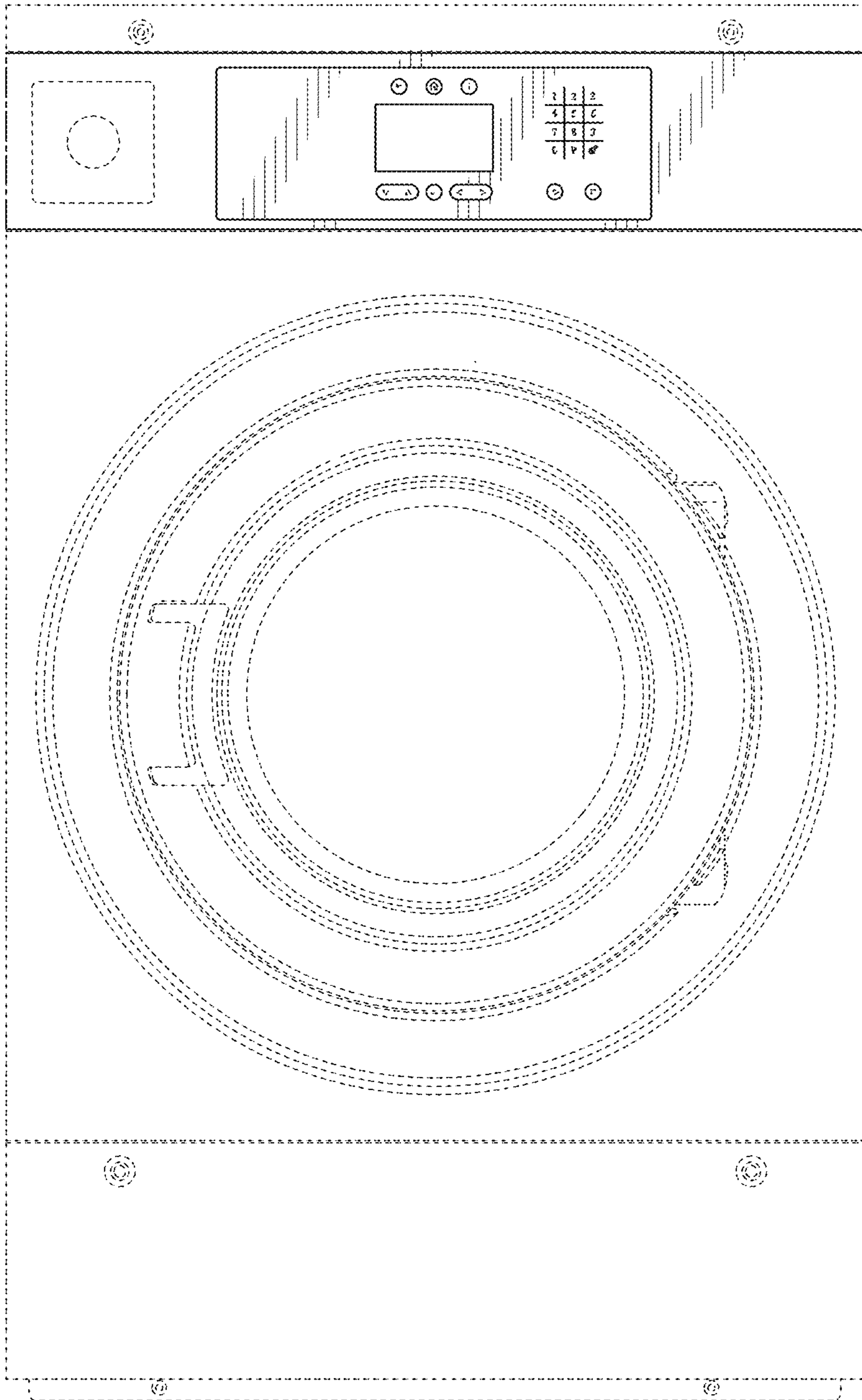


FIG. 2

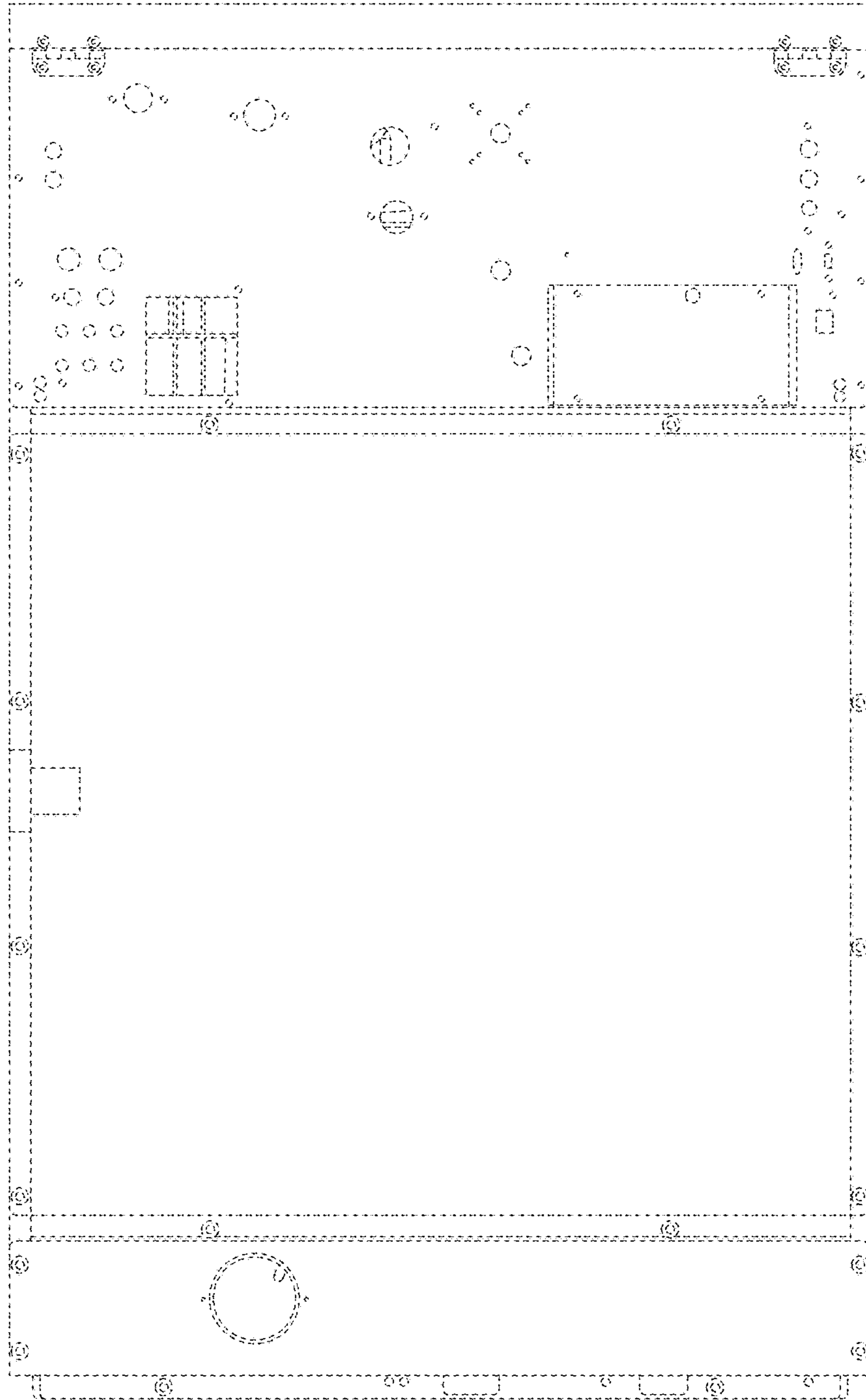


FIG. 3

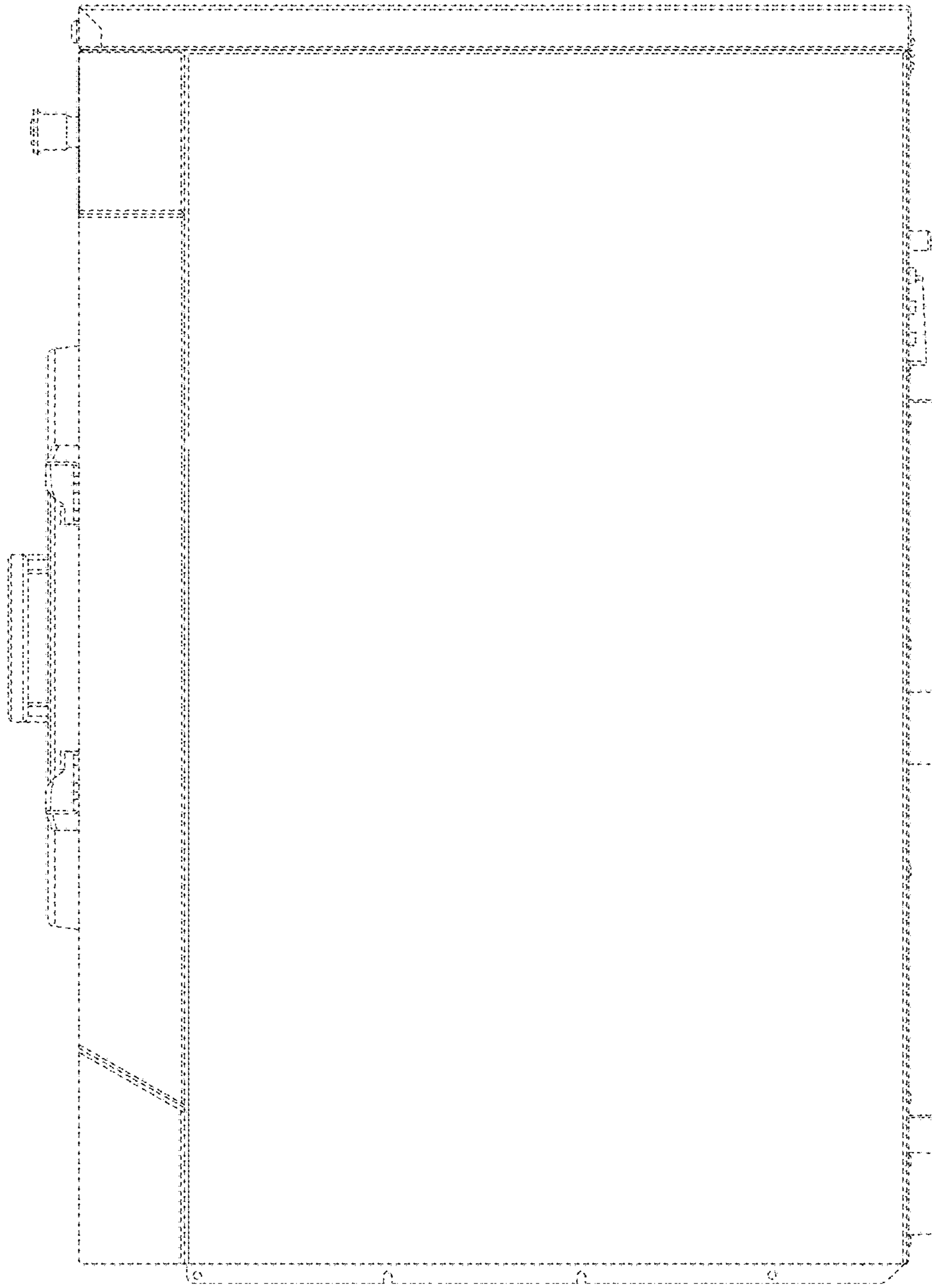


FIG. 4

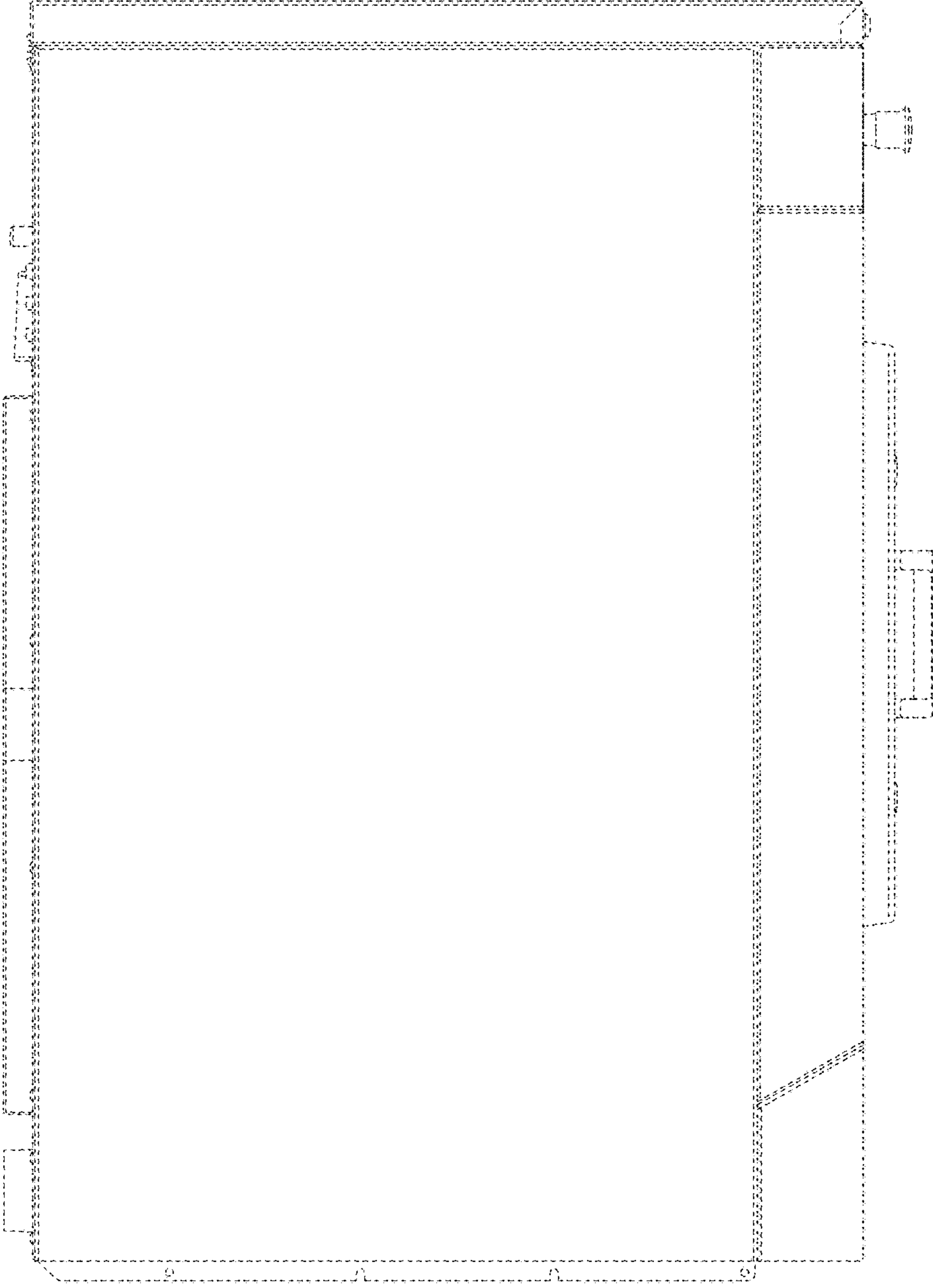


FIG. 5

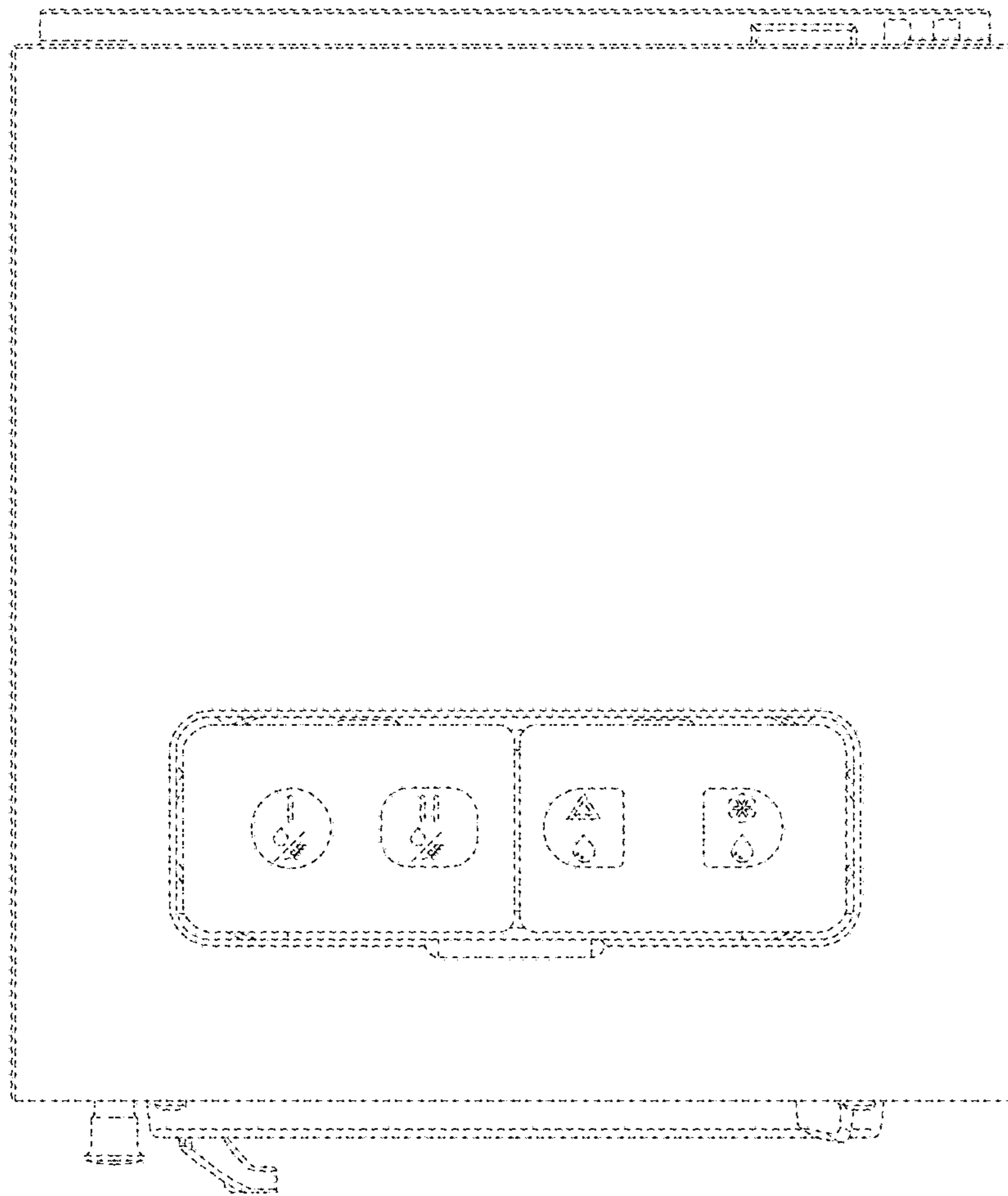


FIG. 6

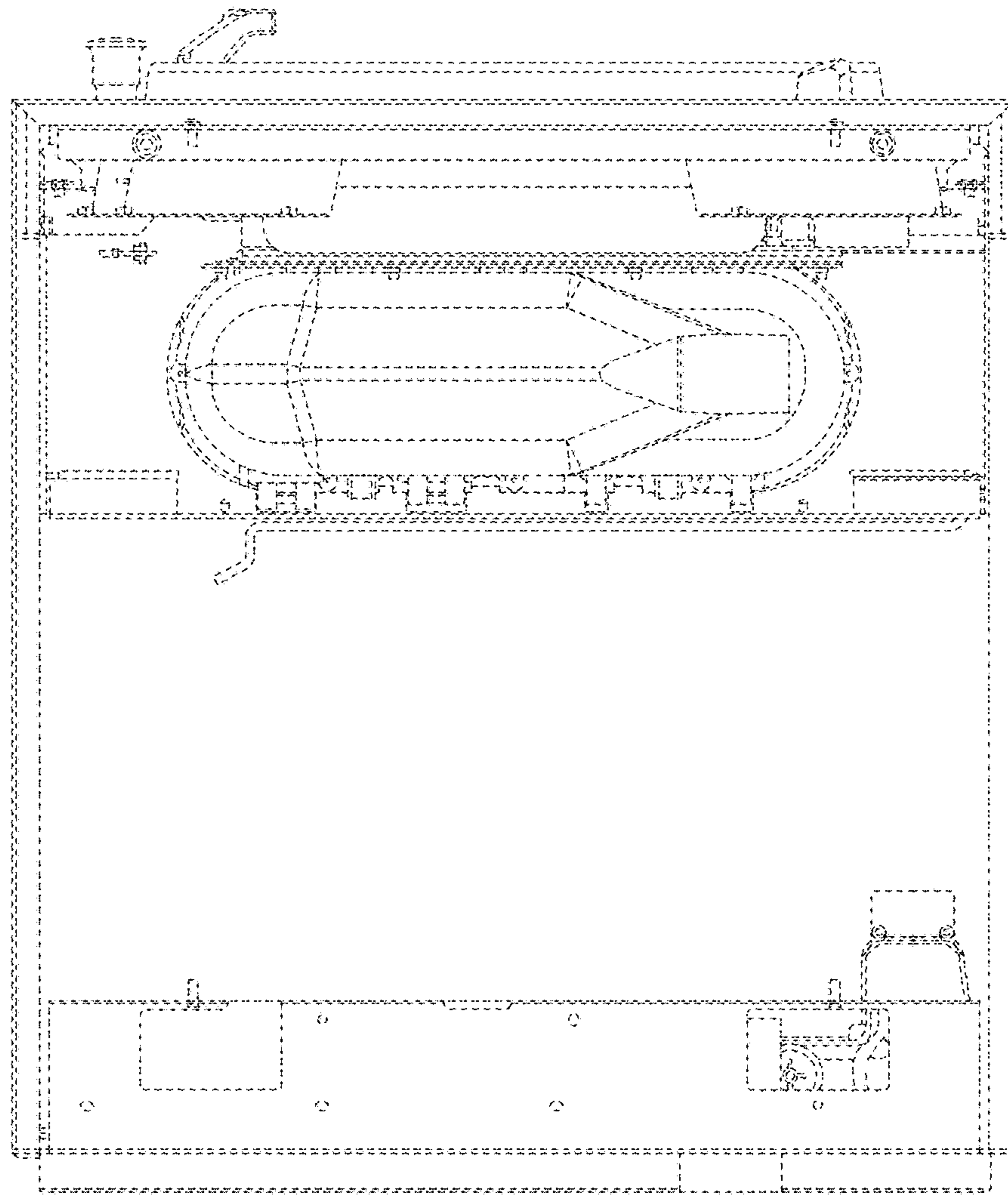


FIG. 7