



US00D825121S

(12) **United States Design Patent**  
**Kahn et al.**

(10) **Patent No.:** **US D825,121 S**

(45) **Date of Patent:** **\*\* Aug. 7, 2018**

(54) **STEAMER**

(71) Applicant: **Reliable Corporation**, Toronto (CA)

(72) Inventors: **Robert Kahn**, Toronto (CA); **Stuart Harvey Lee**, Forest Hills, NY (US); **Jochen Rainer Schaeppers**, New York, NY (US)

(73) Assignee: **RELIABLE CORPORATION**, Toronto, Ontario (CA)

(\*\*) Term: **15 Years**

(21) Appl. No.: **29/577,631**

(22) Filed: **Sep. 14, 2016**

(51) **LOC (11) Cl.** ..... **15-05**

(52) **U.S. Cl.**  
USPC ..... **D32/21**

(58) **Field of Classification Search**  
USPC ..... D32/17, 21-24, 31  
CPC ..... D06F 87/00; D06F 75/06; D06F 73/00;  
F22B 1/284; F24F 6/025; B44C 7/027;  
A47L 11/34  
See application file for complete search history.

(56) **References Cited**

**U.S. PATENT DOCUMENTS**

5,687,278	A *	11/1997	Turner	.....	D06F 73/00 219/211
D471,682	S *	3/2003	Chen	.....	D32/21
D473,025	S *	4/2003	Simmons	.....	D32/17
D504,198	S *	4/2005	Hopper	.....	D32/17
6,886,373	B2 *	5/2005	Carrubba	.....	D06F 73/00 68/222
D519,249	S *	4/2006	Liu	.....	D32/21
D520,196	S *	5/2006	Liu	.....	D32/21
D522,192	S *	5/2006	Liu	.....	D32/21
D561,958	S *	2/2008	Hahn	.....	D32/17
D599,511	S *	9/2009	Massip	.....	D32/17
D607,620	S *	1/2010	Massip	.....	D32/17

D627,940	S *	11/2010	Smith	.....	D32/17
8,091,747	B2 *	1/2012	Haan	.....	D06F 57/02 223/90
D657,100	S *	4/2012	Ediger	.....	D32/17
D659,919	S *	5/2012	Lin	.....	D32/17
D663,496	S *	7/2012	Ediger	.....	D32/17
8,275,248	B2 *	9/2012	Xu	.....	D06F 73/00 392/386
D669,234	S *	10/2012	Ediger	.....	D32/17

(Continued)

*Primary Examiner* — Ruth McInroy

(74) *Attorney, Agent, or Firm* — Brooks Kushman P.C.

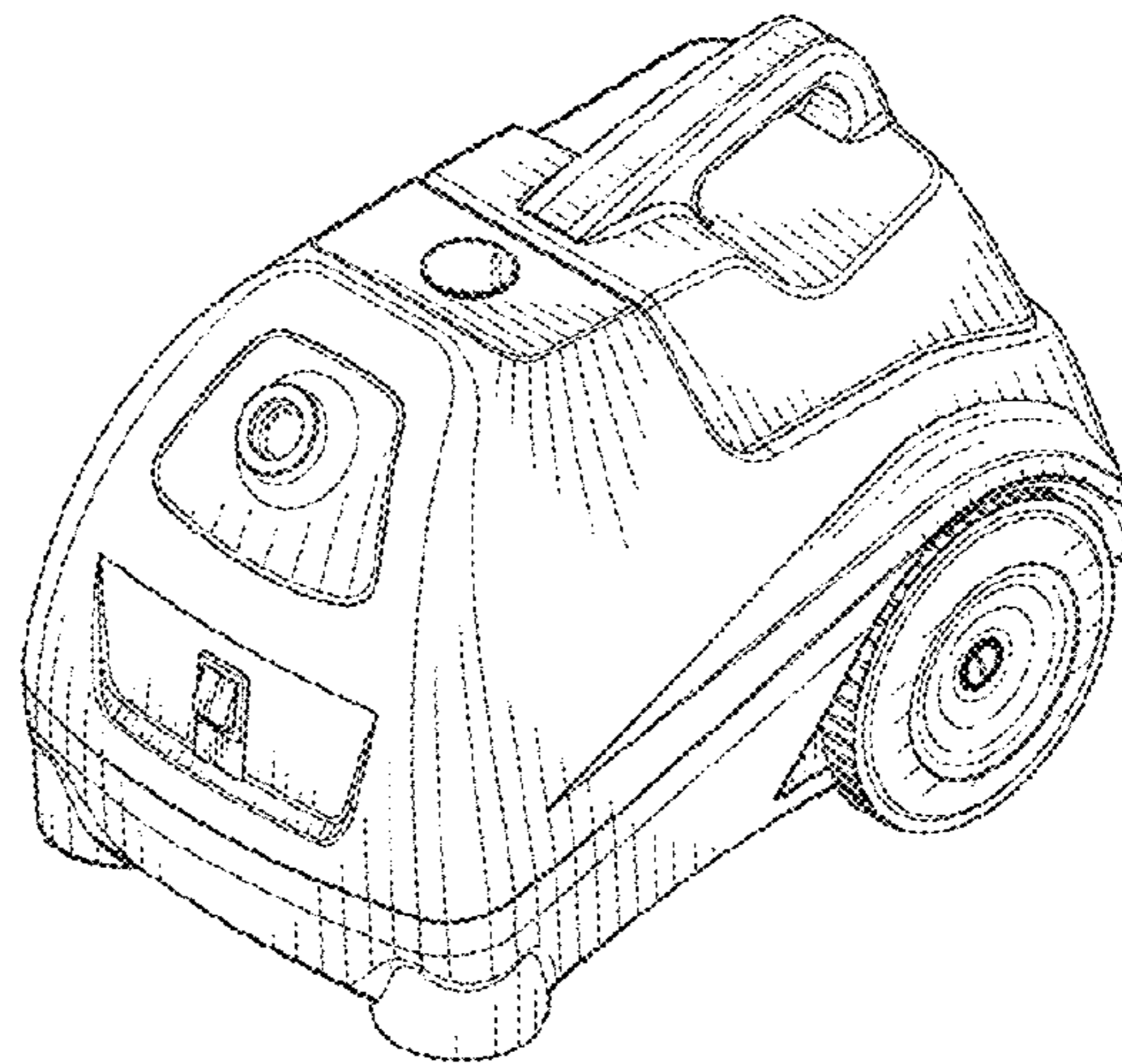
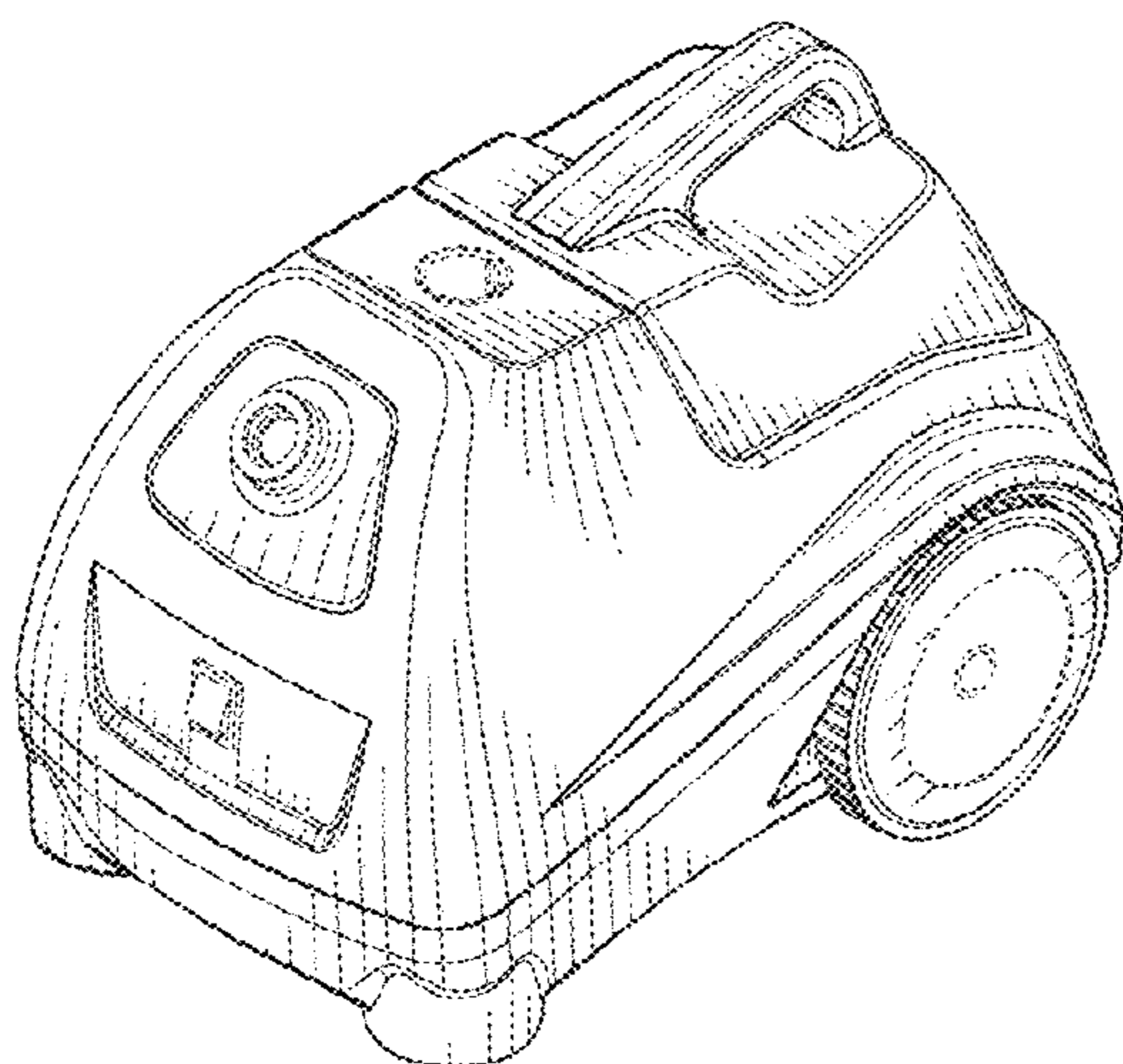
(57) **CLAIM**

The ornamental design for a steamer, as shown and described.

**DESCRIPTION**

FIG. 1 is a perspective view of a portion of a garment steamer according to one embodiment;  
 FIG. 2 is a front side view of the portion of the garment steamer of FIG. 1;  
 FIG. 3 is a rear side view of the portion of the garment steamer of FIG. 1;  
 FIG. 4 is a left side view of the portion of the garment steamer of FIG. 1;  
 FIG. 5 is a right side view of the portion of the garment steamer of FIG. 1;  
 FIG. 6 is a top side view of the portion of the garment steamer of FIG. 1;  
 FIG. 7 is a perspective view of a second embodiment thereof;  
 FIG. 8 is a front view of FIG. 7;  
 FIG. 9 is a rear view of FIG. 7;  
 FIG. 10 is a left side view of FIG. 7;  
 FIG. 11 is a right side view of FIG. 7; and,  
 FIG. 12 is a top view of FIG. 7.  
 The broken lines are for illustrative purposes only and form no part of the claimed design.

**1 Claim, 8 Drawing Sheets**



(56)

**References Cited**

U.S. PATENT DOCUMENTS

8,387,291 B2 \* 3/2013 Compeau ..... D06F 75/12  
38/77.9  
8,510,909 B2 \* 8/2013 Spatz ..... D06F 73/00  
122/459  
D695,473 S \* 12/2013 Ediger ..... D32/17  
D707,000 S \* 6/2014 Massip ..... D32/17  
9,091,016 B2 \* 7/2015 Lam ..... D06F 87/00  
9,157,180 B2 \* 10/2015 Hu ..... D06F 58/14  
9,194,077 B2 \* 11/2015 Carter ..... D06F 73/00  
D762,026 S \* 7/2016 Tyler ..... D32/21  
D770,104 S \* 10/2016 Koehler ..... D32/17  
9,469,934 B2 \* 10/2016 Alrefaei ..... D06F 73/00  
9,493,905 B2 \* 11/2016 Ducruet ..... D06F 87/00

\* cited by examiner

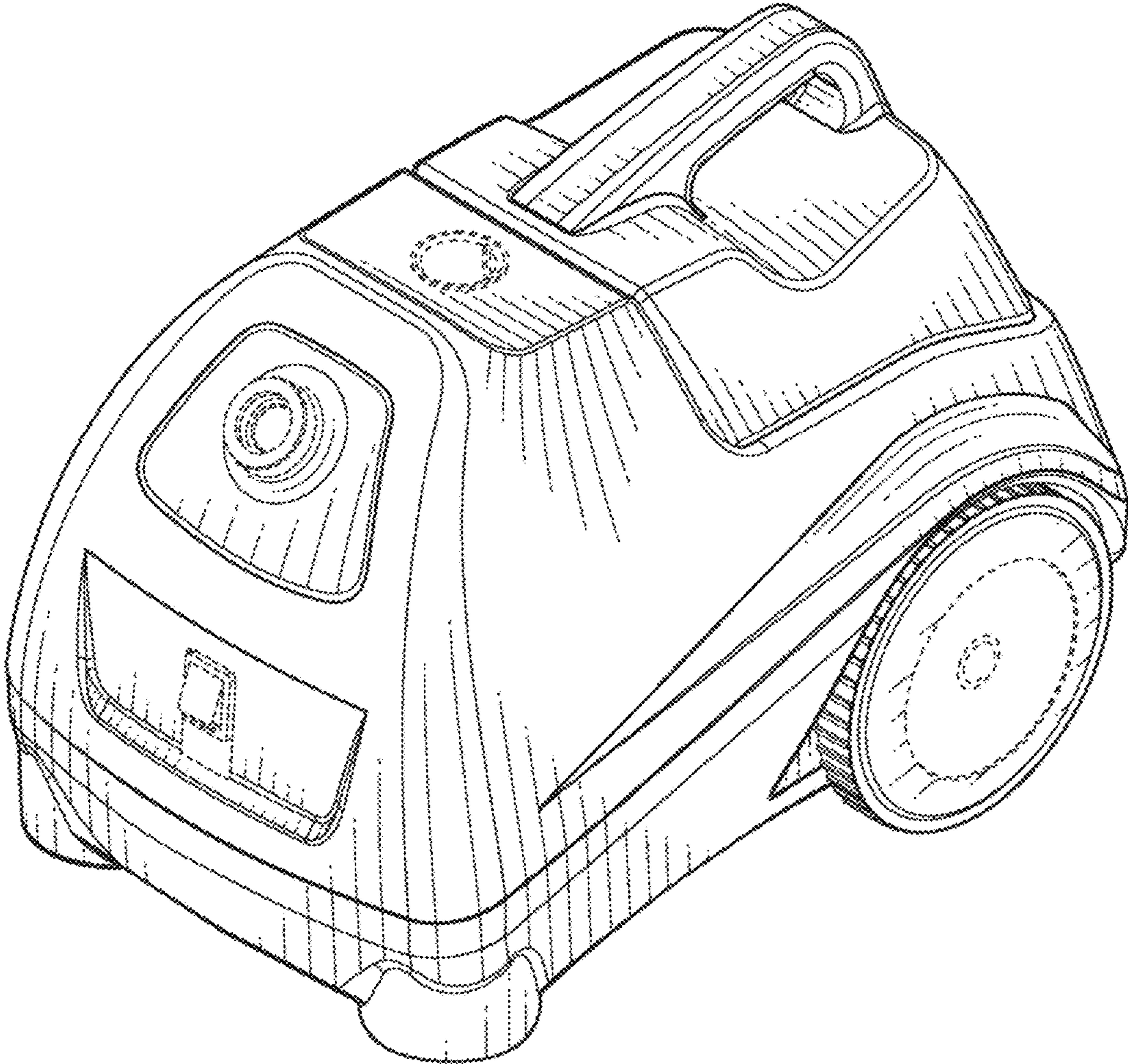


FIG. 1

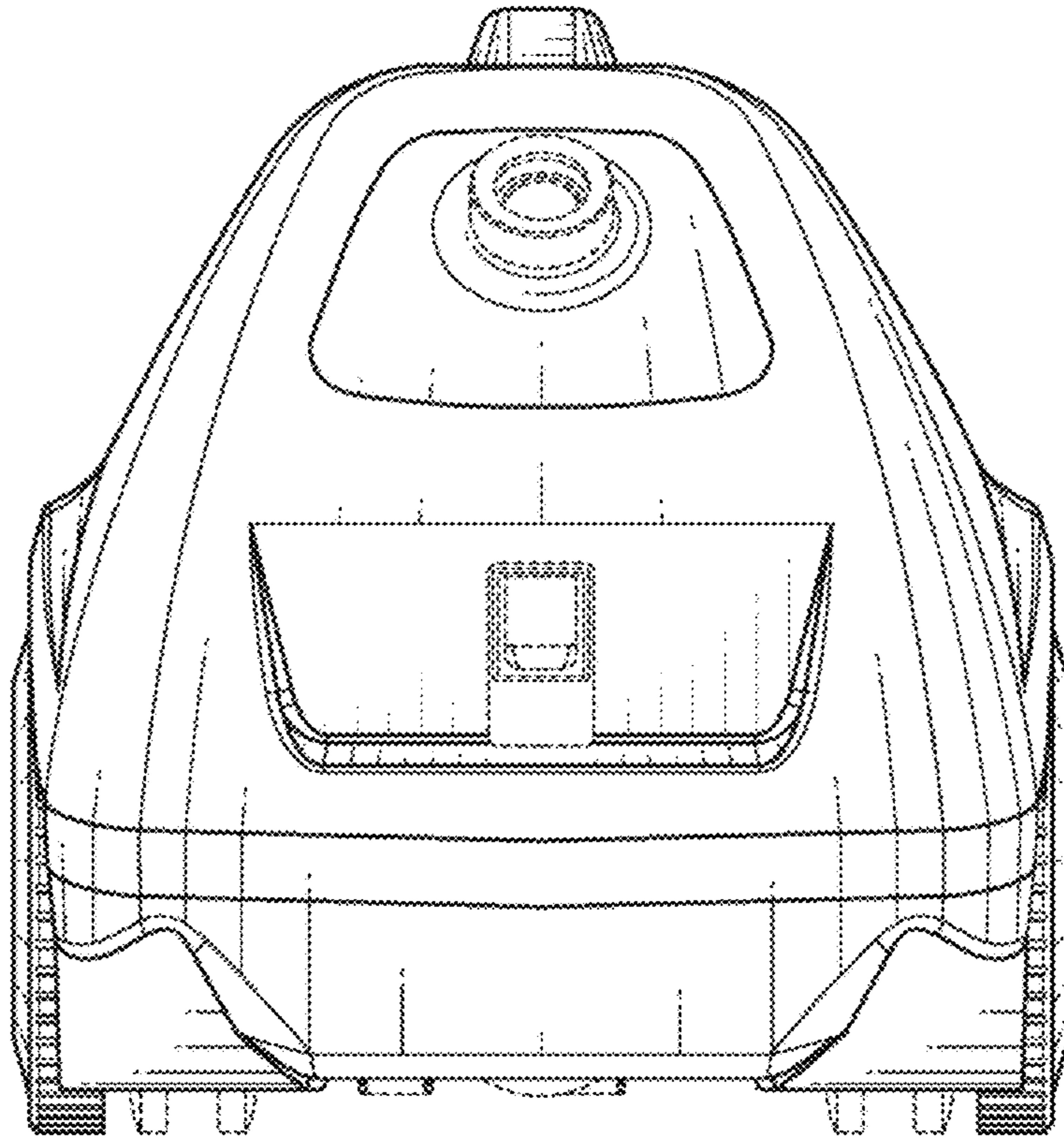


FIG. 2

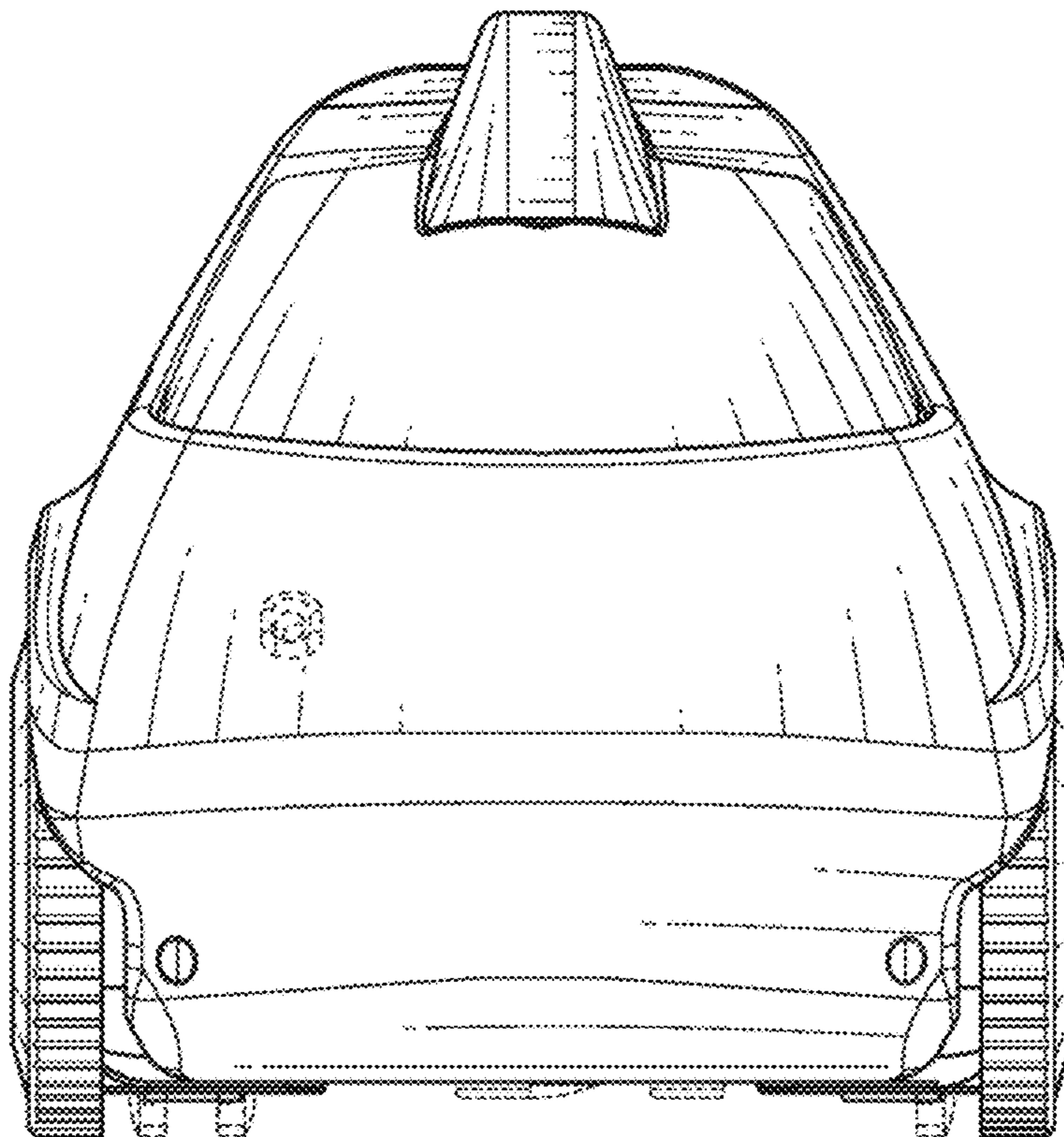


FIG. 3

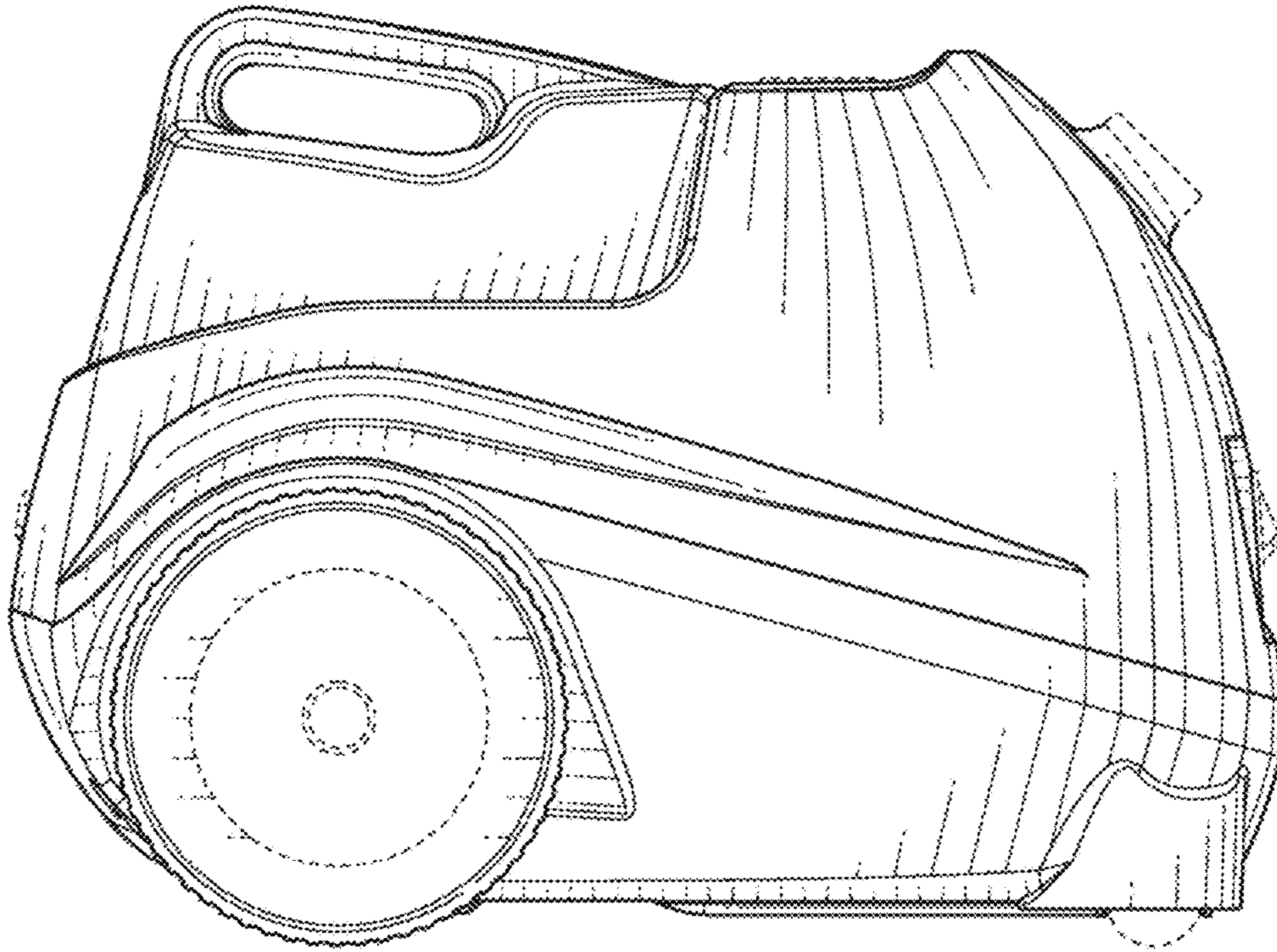


FIG. 4

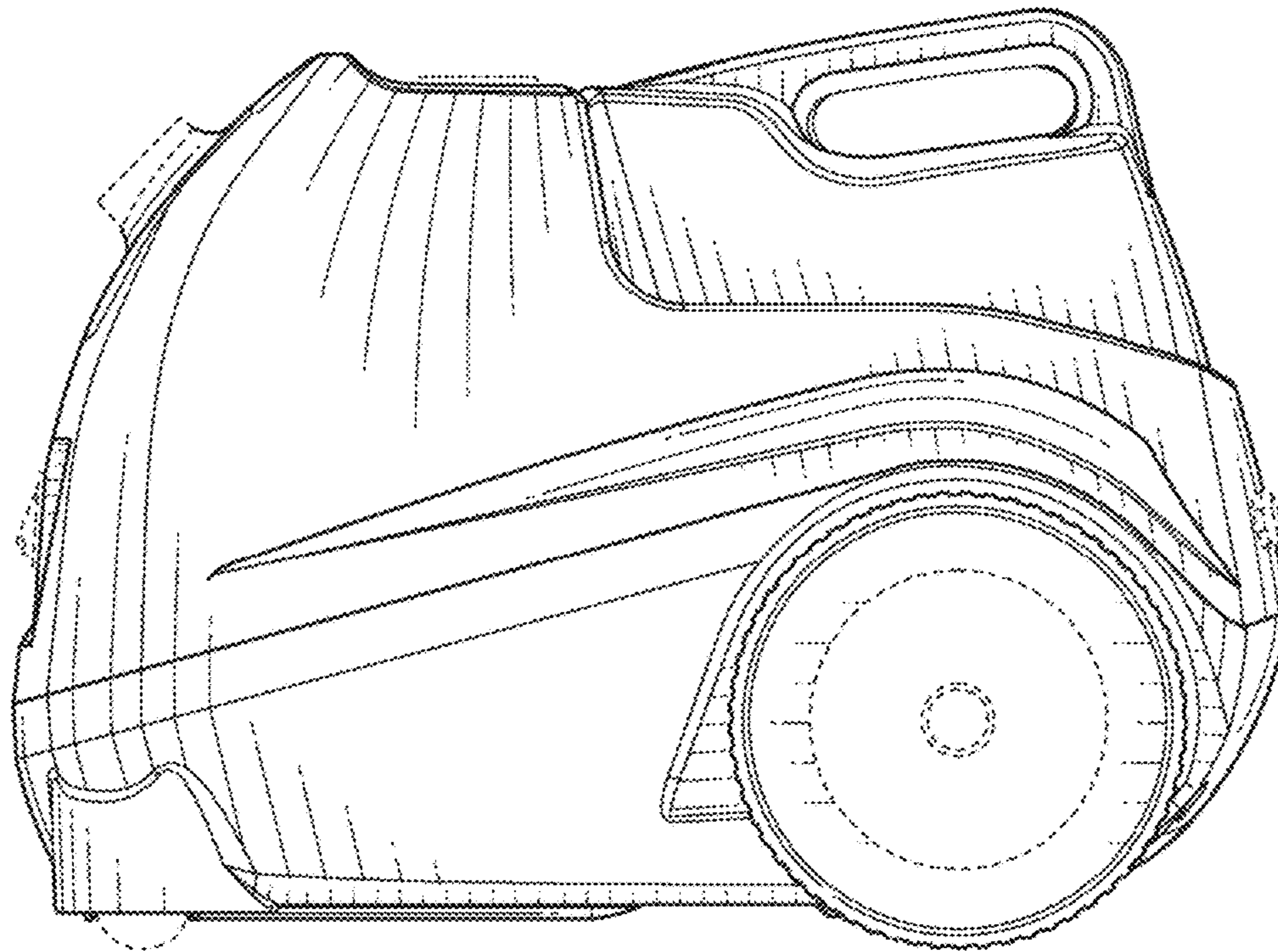


FIG. 5

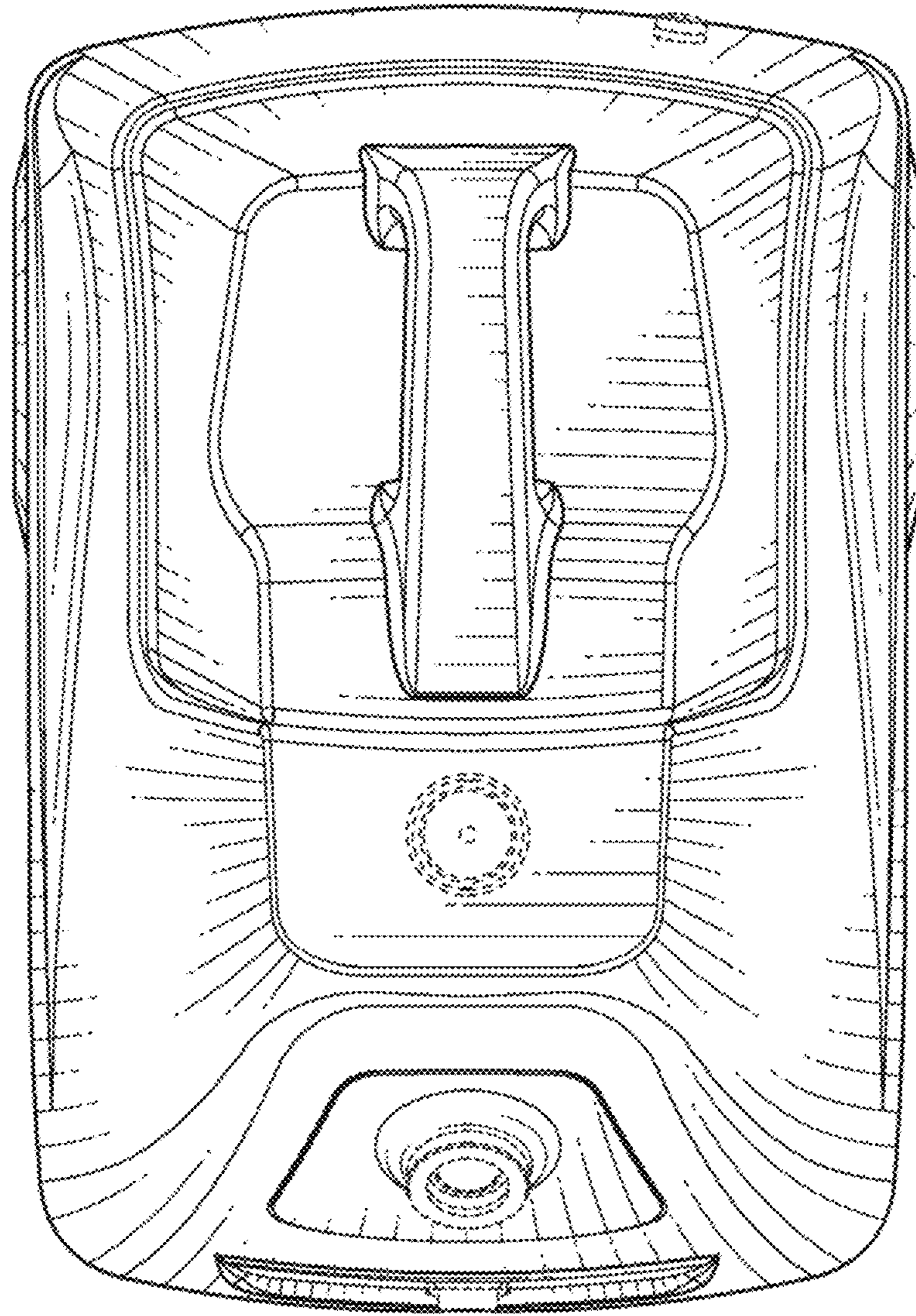


FIG. 6

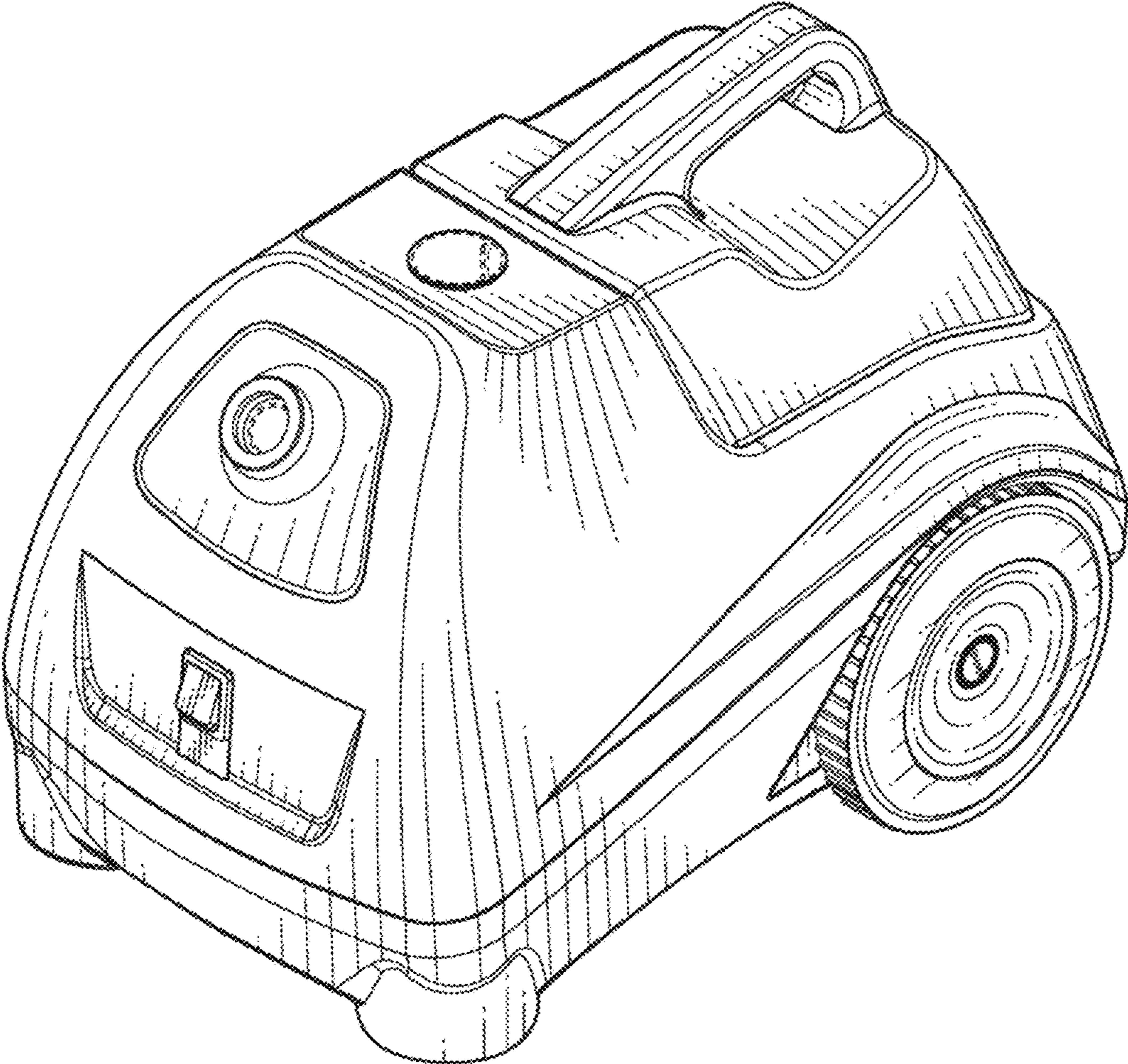


FIG. 7

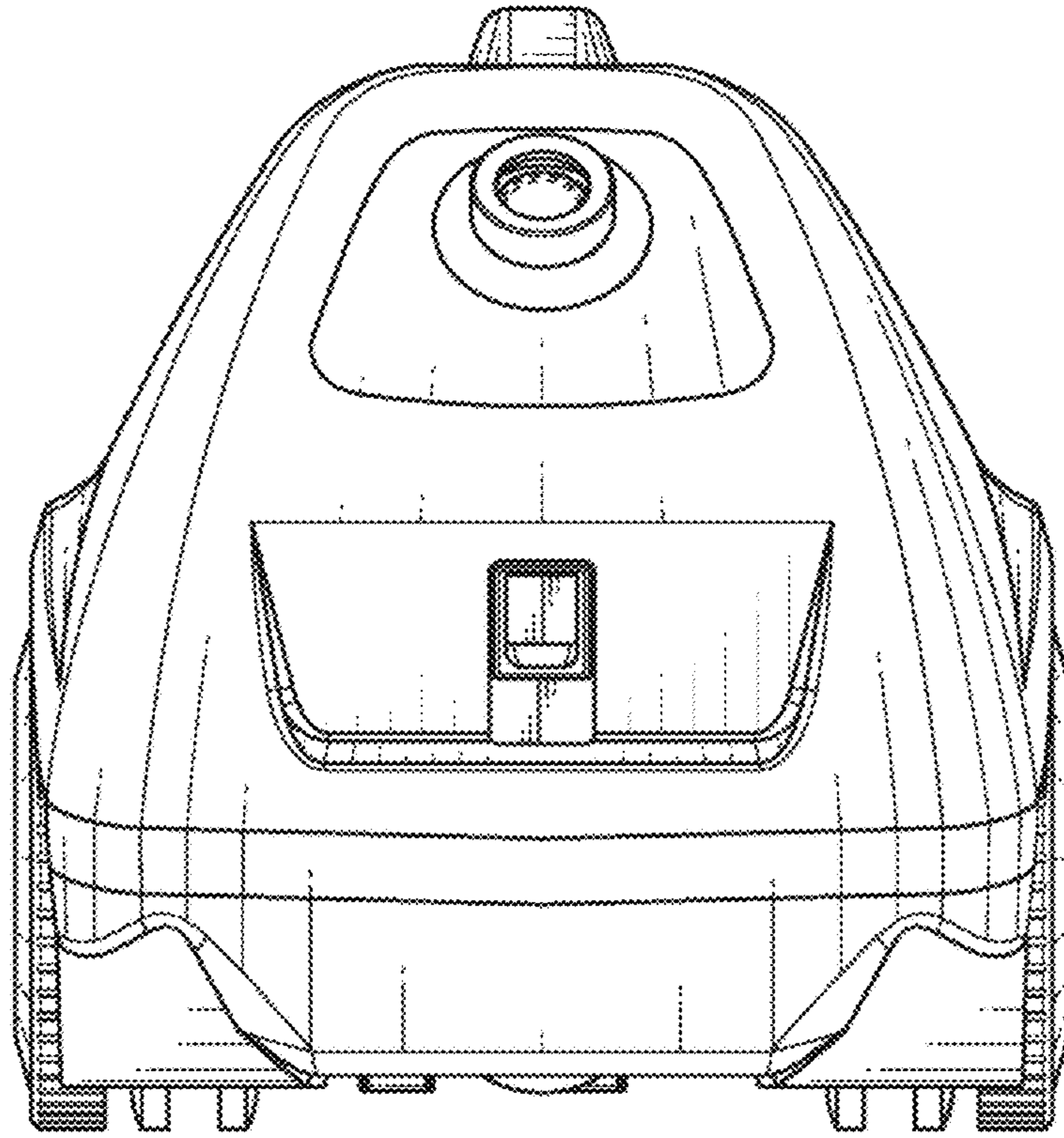


FIG. 8

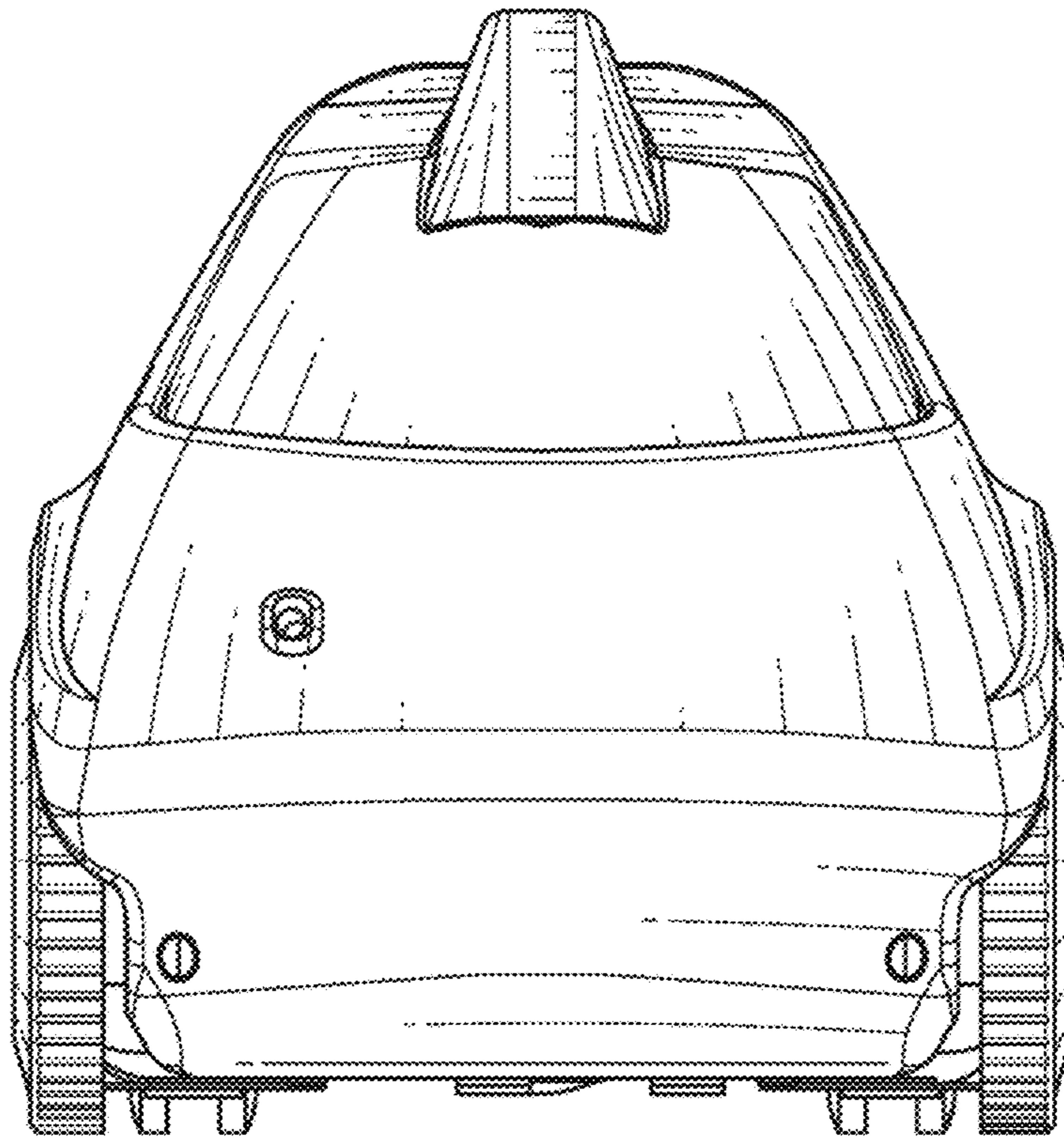


FIG. 9



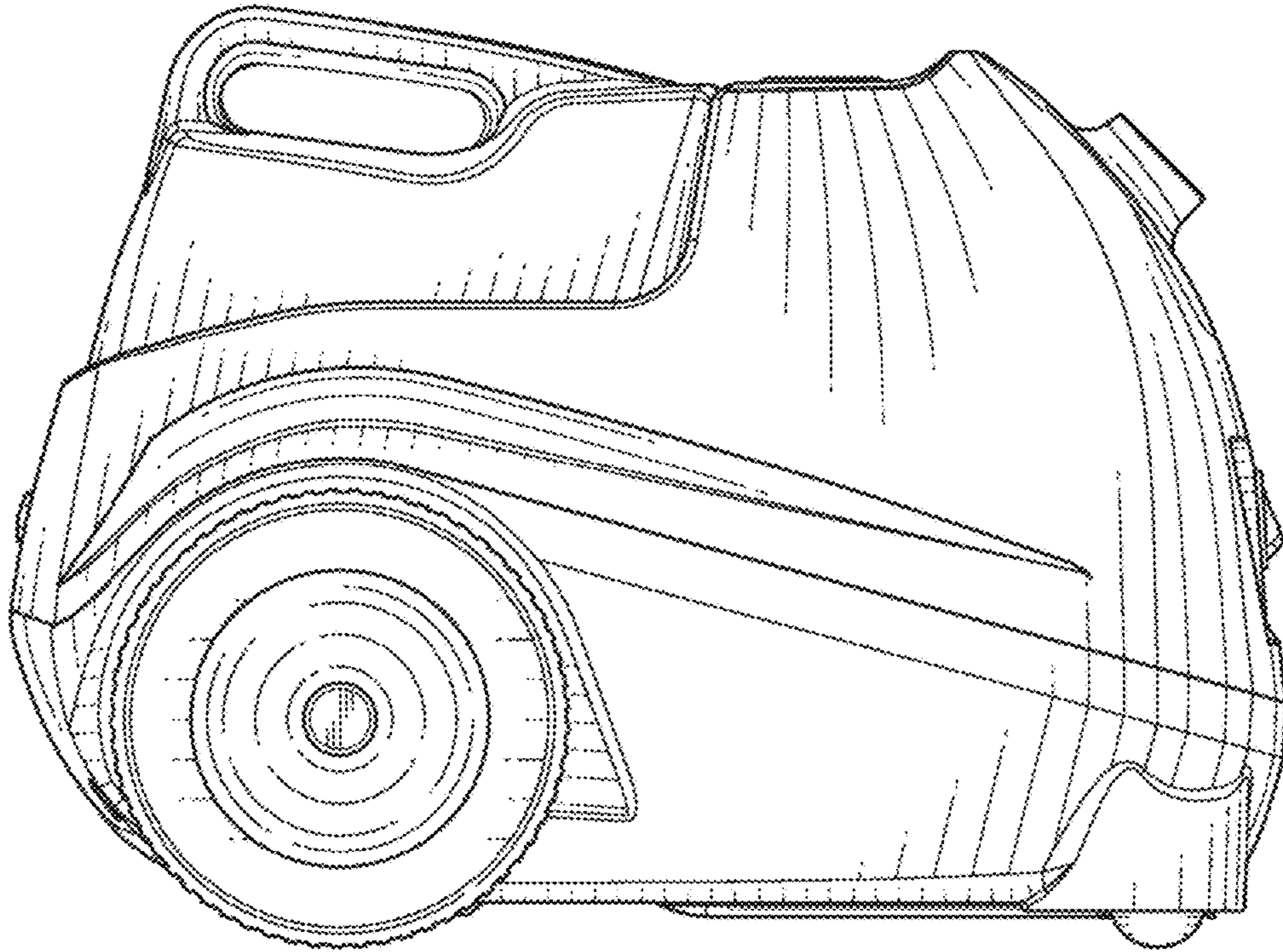


FIG. 10

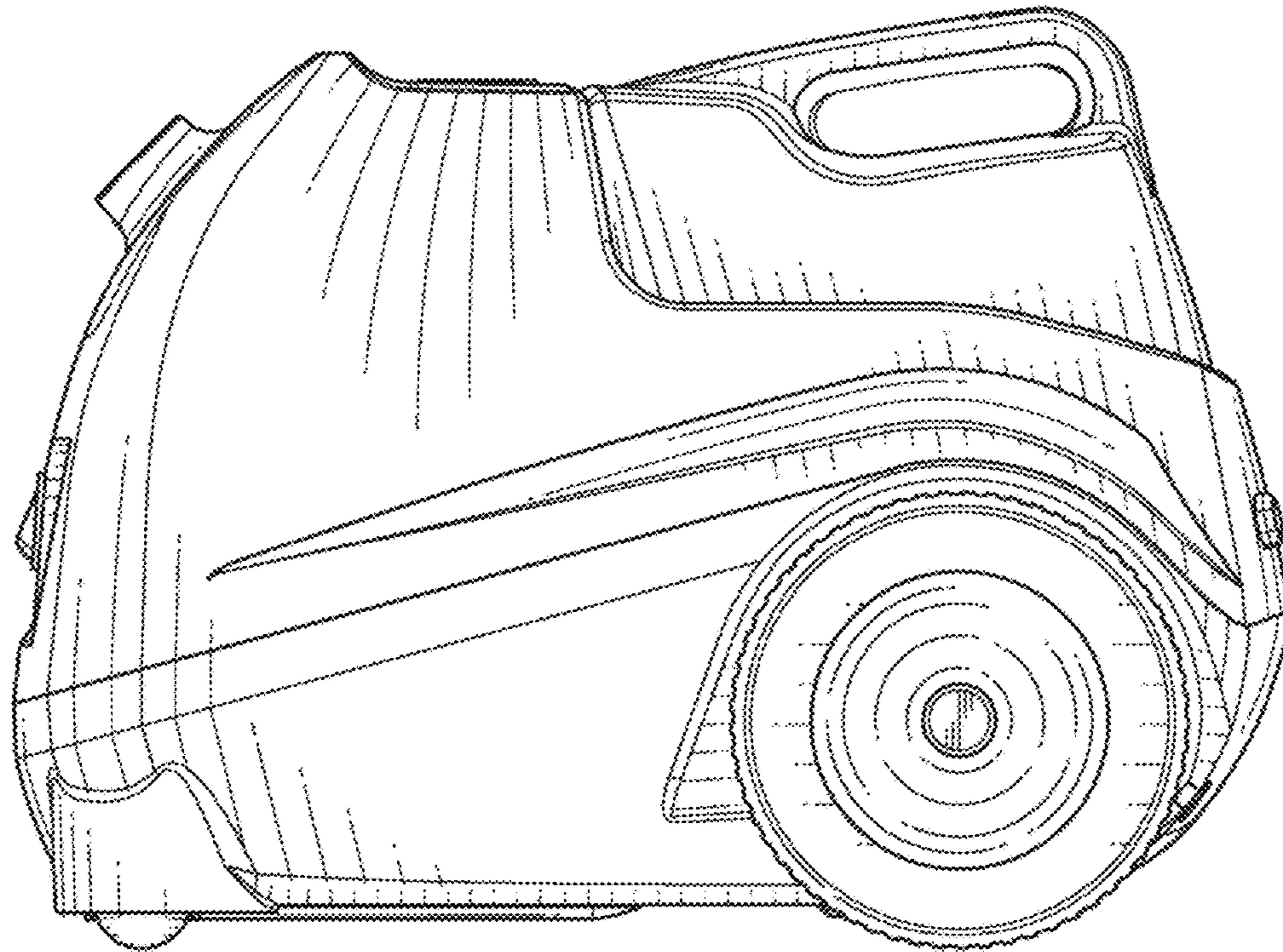


FIG. 11

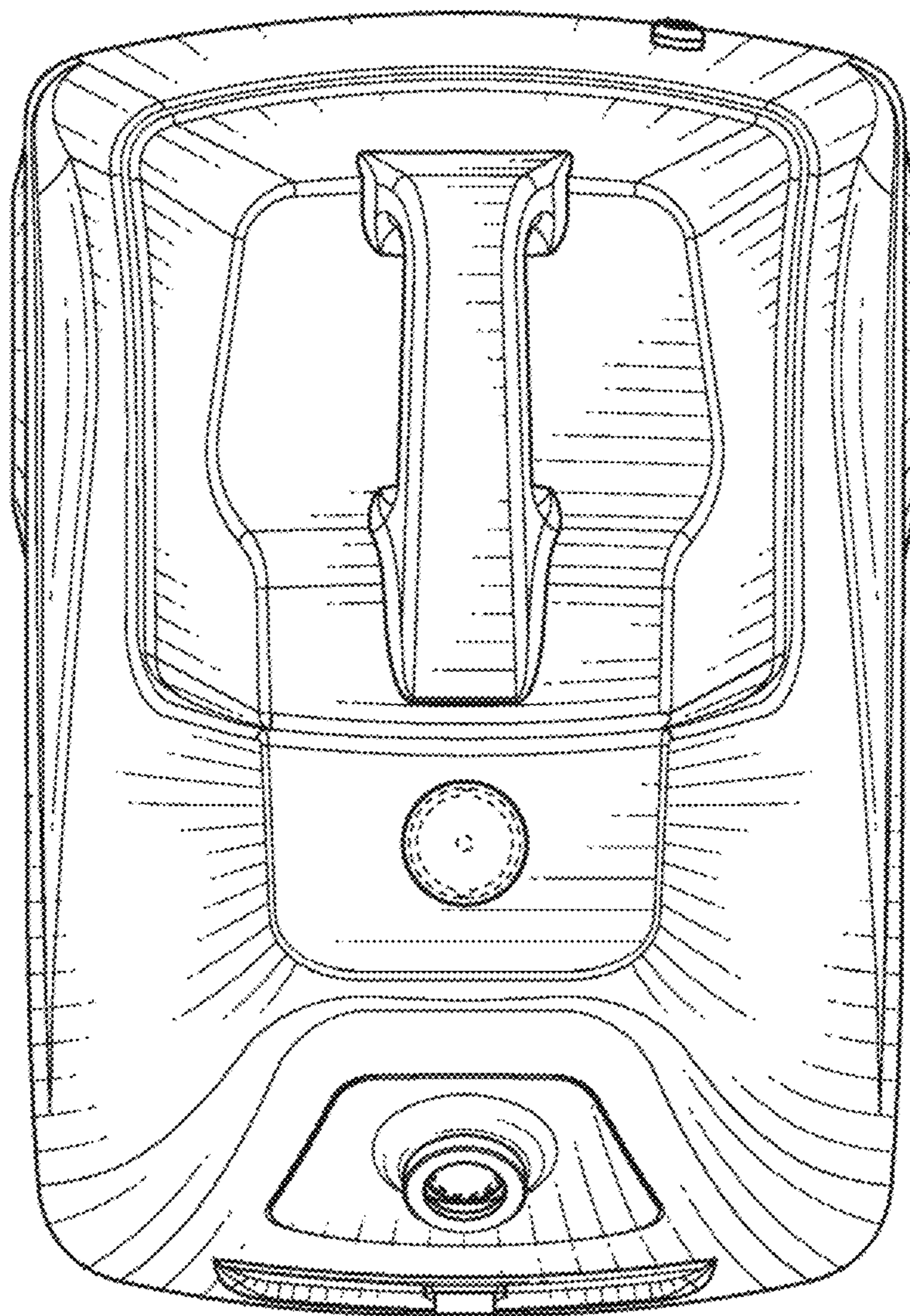


FIG. 12